



US00D859081S

(12) **United States Design Patent** (10) **Patent No.:** **US D859,081 S**
Weernink (45) **Date of Patent:** **** Sep. 10, 2019**

(54) **POP-UP BOTTLE**

(71) Applicant: **Rosti Mepal Support B.V.**, Lochem (NL)

(72) Inventor: **Johan Weernink**, Diepenheim (NL)

(73) Assignee: **Rosti Mepal Support B.V.**, Lochem (NL)

(**) Term: **15 Years**

(21) Appl. No.: **29/633,843**

(22) Filed: **Jan. 16, 2018**

(51) **LOC (12) Cl.** **07-01**

(52) **U.S. Cl.**
USPC **D7/511**; D9/516; D9/549; D9/559

(58) **Field of Classification Search**
USPC D7/300, 310, 313, 509, 510, 511, 523,
D7/387, 396.1, 396.2, 397, 400, 584;
D9/516, 544, 549, 545, 551, 559, 564
CPC A45F 3/16; B65D 47/066; B65D 43/02;
A47J 43/27
See application file for complete search history.

(56) **References Cited**

U.S. PATENT DOCUMENTS

D798,113 S * 9/2017 Weernink D7/510
D800,502 S * 10/2017 Weernink D7/510

D823,641 S * 7/2018 Bodum D7/510
2016/0068317 A1* 3/2016 Petit B29C 45/006
206/438
2018/0296990 A1* 10/2018 Yueh A45F 3/16

OTHER PUBLICATIONS

U.S. Appl. No. 29/575,233, Rosti Mepal Support B.V.

* cited by examiner

Primary Examiner — Derrick E Holland

Assistant Examiner — Andrew Kerr

(74) *Attorney, Agent, or Firm* — Fross Zelnick Lehrman & Zissu, P.C.; Charles T. J. Weigel, Esq.

(57) **CLAIM**

The ornamental design for a pop-up bottle, as shown and described.

DESCRIPTION

FIG. 1 is a front perspective view a pop-up bottle showing my new design

FIG. 2 is a front view thereof;

FIG. 3 is a back view thereof;

FIG. 4 is a right side view thereof;

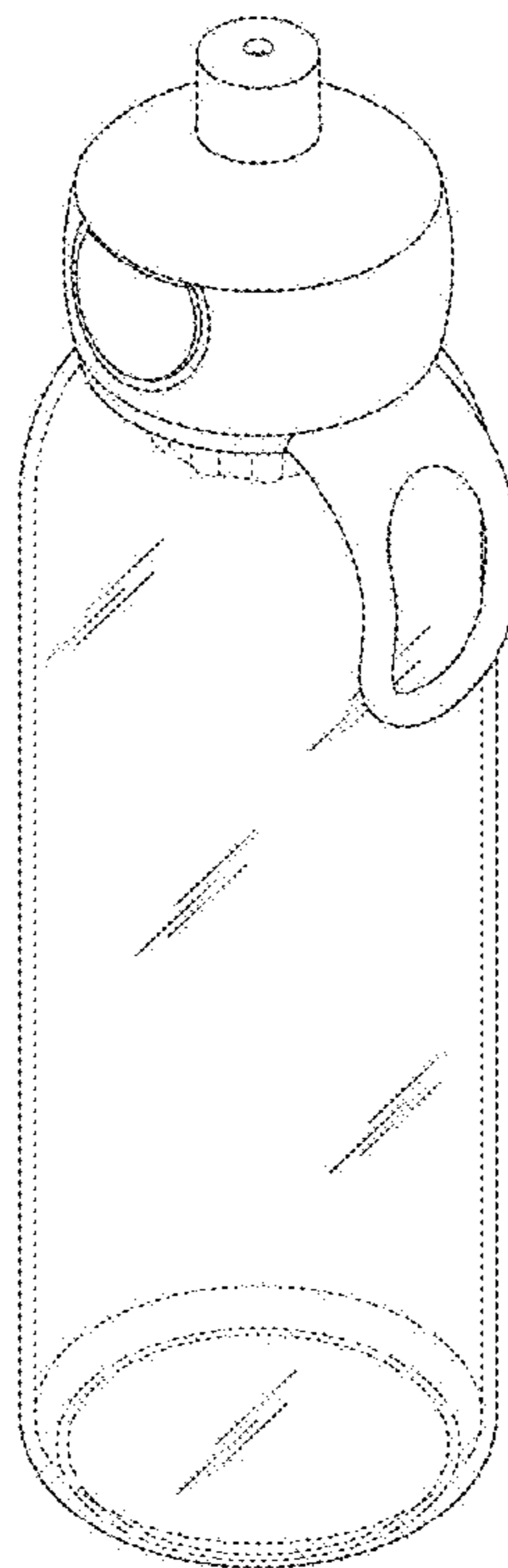
FIG. 5 is a left side view thereof;

FIG. 6 is a top view thereof; and,

FIG. 7 is a bottom view thereof.

The broken line depiction of features shown on the underside view of FIG. 7 form no part of the claim.

1 Claim, 7 Drawing Sheets



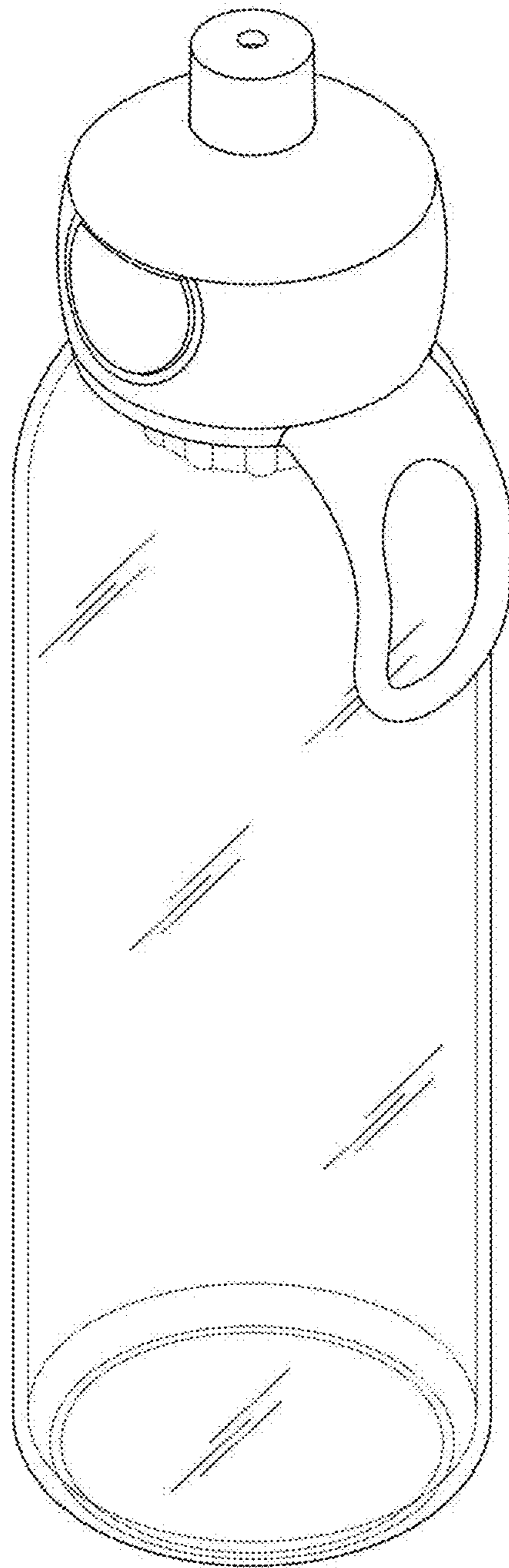


FIG. 1

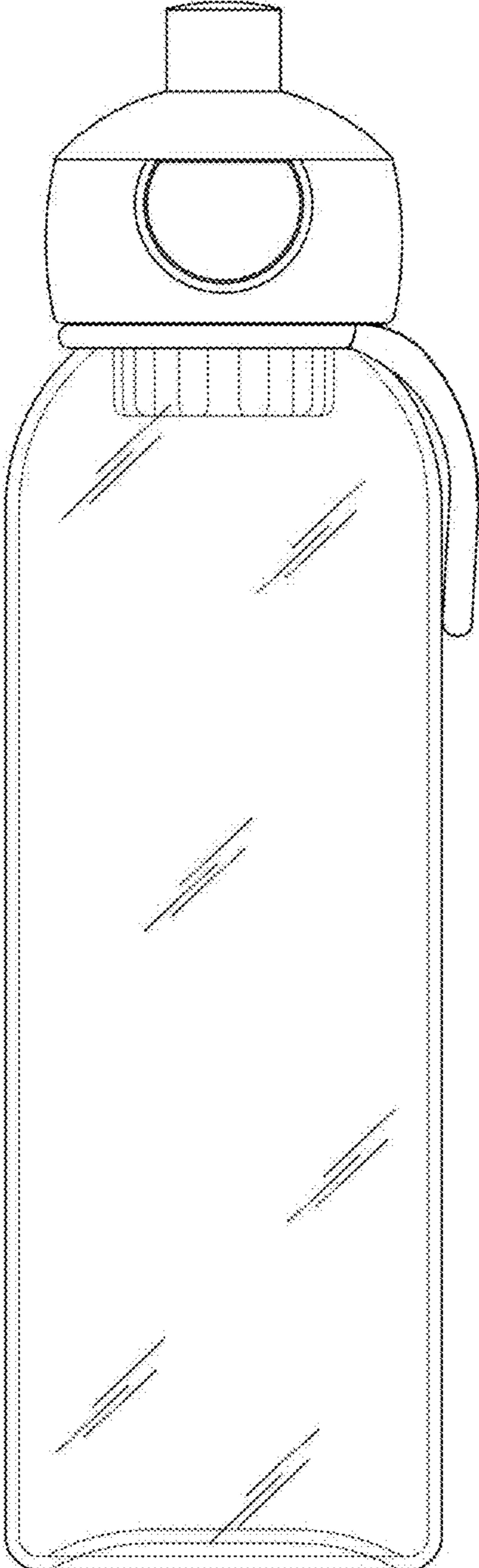


FIG. 2

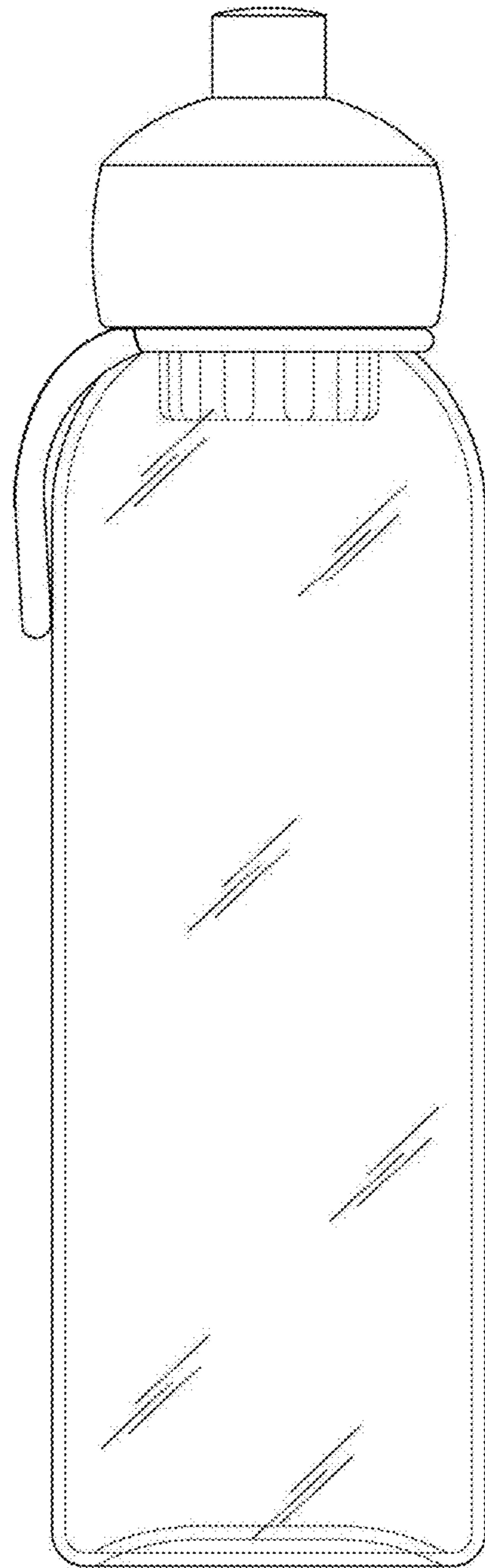


FIG. 3

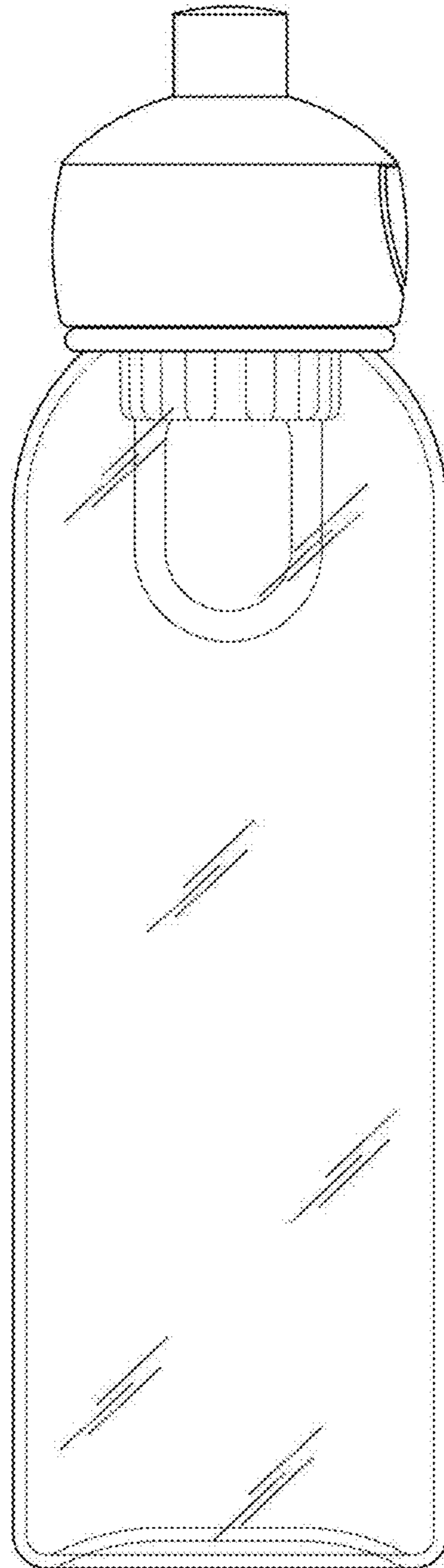


FIG. 4

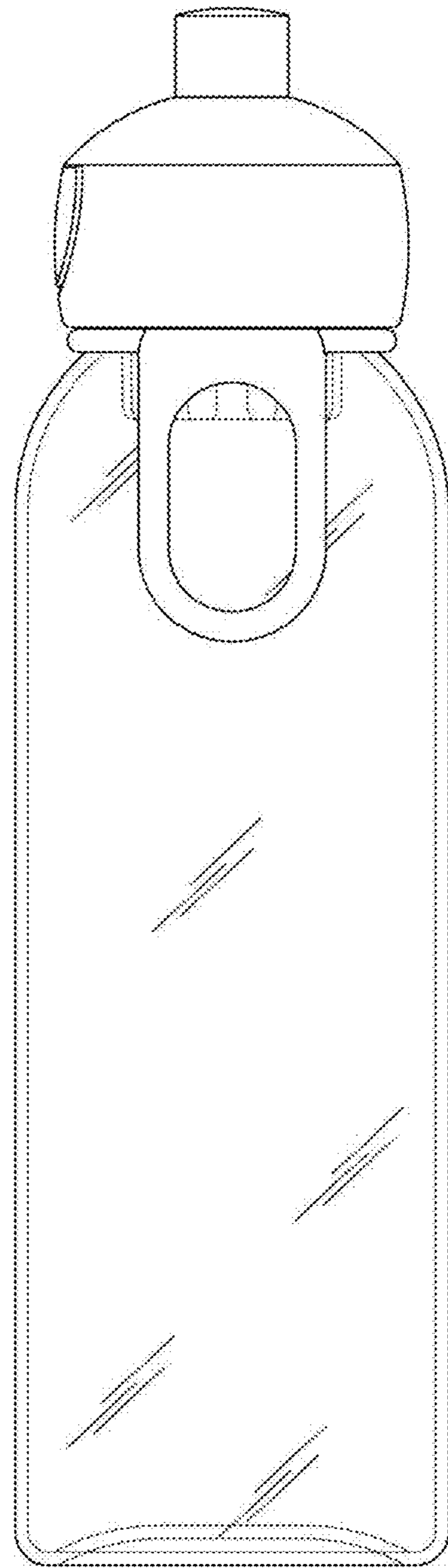


FIG. 5

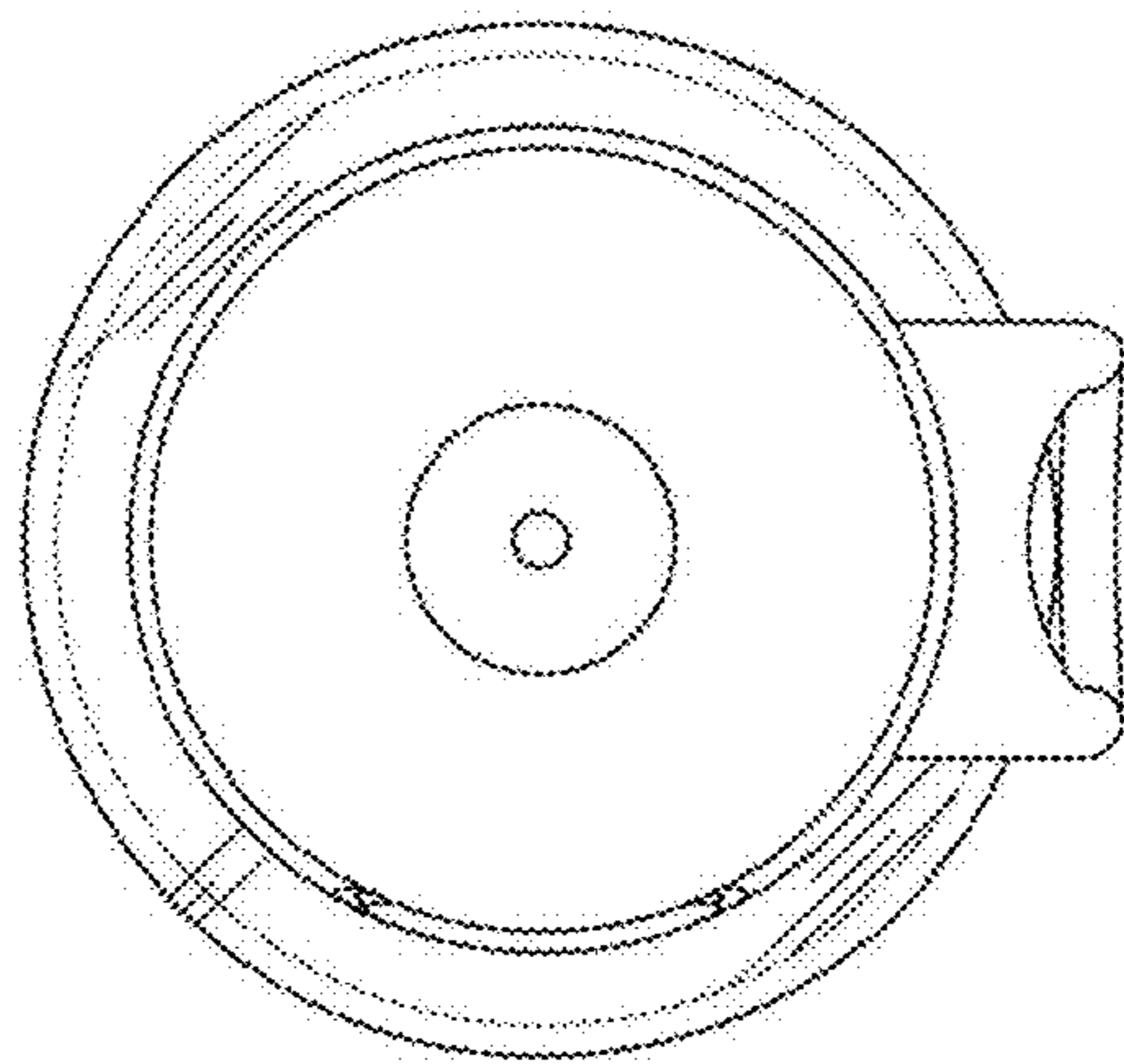


FIG. 6

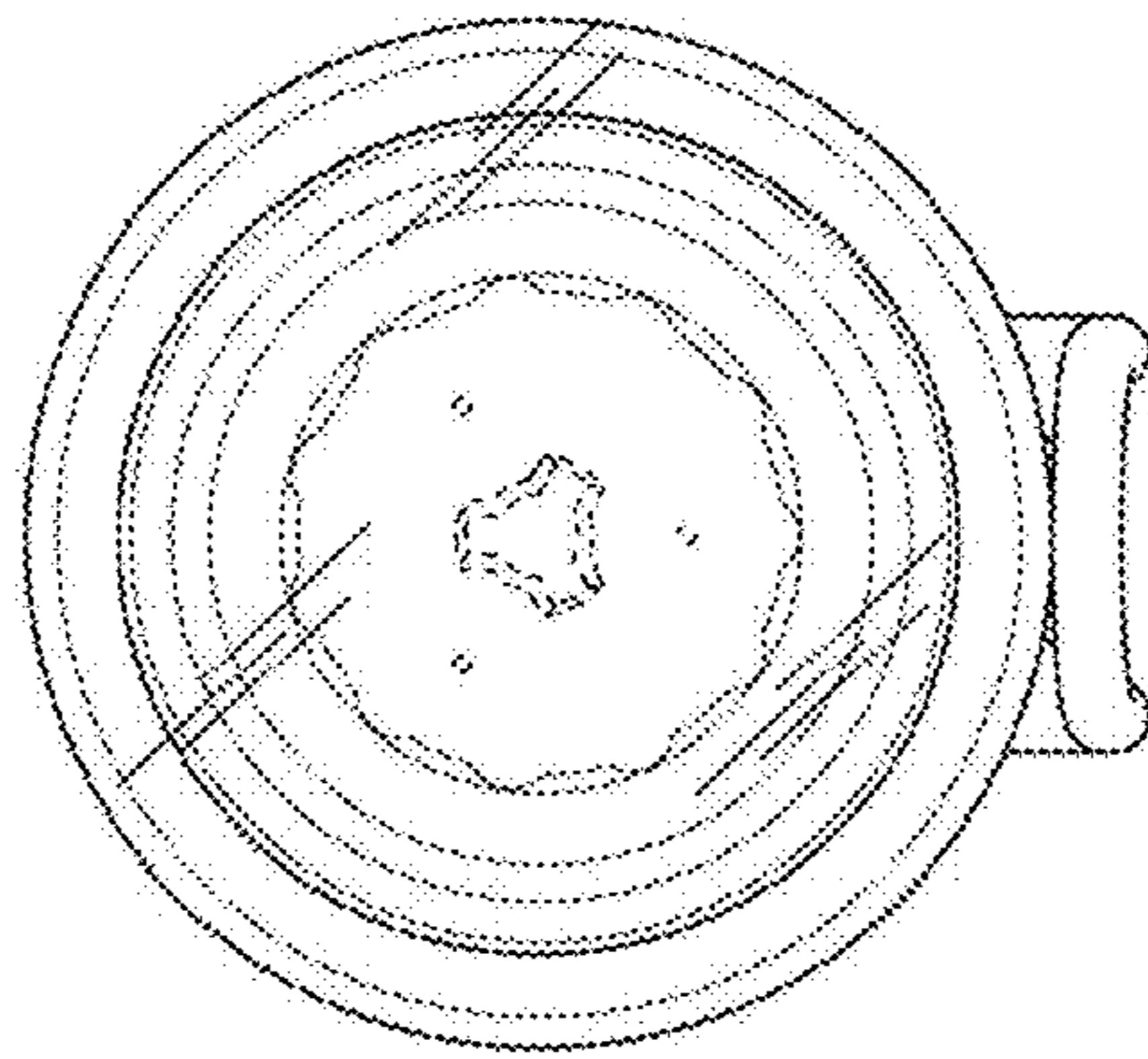


FIG. 7