



US00D859080S

(12) **United States Design Patent** (10) **Patent No.:** **US D859,080 S**  
**Rummel et al.** (45) **Date of Patent:** **\*\* Sep. 10, 2019**

(54) **DRINKING VESSEL WITH A LID**  
(71) Applicant: **BRITA GMBH**, Taunusstein (DE)  
(72) Inventors: **Christian Rummel**, Benningen (DE);  
**Tim Storti**, Schwieberdingen (DE)  
(73) Assignee: **BRITA GMBH**, Taunusstein (DE)  
(\*\*) Term: **15 Years**  
(21) Appl. No.: **29/603,688**  
(22) Filed: **May 11, 2017**

D772,652 S \* 11/2016 Yao ..... D7/510  
D774,351 S \* 12/2016 Breit ..... D7/394  
D784,765 S \* 4/2017 Yao ..... D7/510  
D823,641 S \* 7/2018 Bodum ..... D7/510  
2011/0278206 A1\* 11/2011 Hull ..... A47G 19/2266  
210/85  
2016/0316896 A1\* 11/2016 Breit ..... A45F 3/16

\* cited by examiner

*Primary Examiner* — Derrick E Holland  
*Assistant Examiner* — Andrew Kerr  
(74) *Attorney, Agent, or Firm* — Hudak, Shunk & Farine  
Co. LPA

(30) **Foreign Application Priority Data**

Dec. 22, 2016 (EM) ..... 003533496

(51) **LOC (12) Cl.** ..... **07-01**

(52) **U.S. Cl.**  
USPC ..... **D7/511; D9/549; D9/559**

(58) **Field of Classification Search**  
USPC ..... D07/510, 511, 523, 529, 532, 533–536,  
D07/608, 300.1, 591, 392.1, 396.2;  
D09/503, 504, 516–575  
CPC ..... A47G 19/22; A47G 19/2205; A47G  
19/2266; A47G 19/2272; A45F 3/16  
See application file for complete search history.

(56) **References Cited**

**U.S. PATENT DOCUMENTS**

D512,874 S \* 12/2005 Poulson ..... D7/510  
D753,442 S \* 4/2016 Weernink ..... D7/507

(57) **CLAIM**

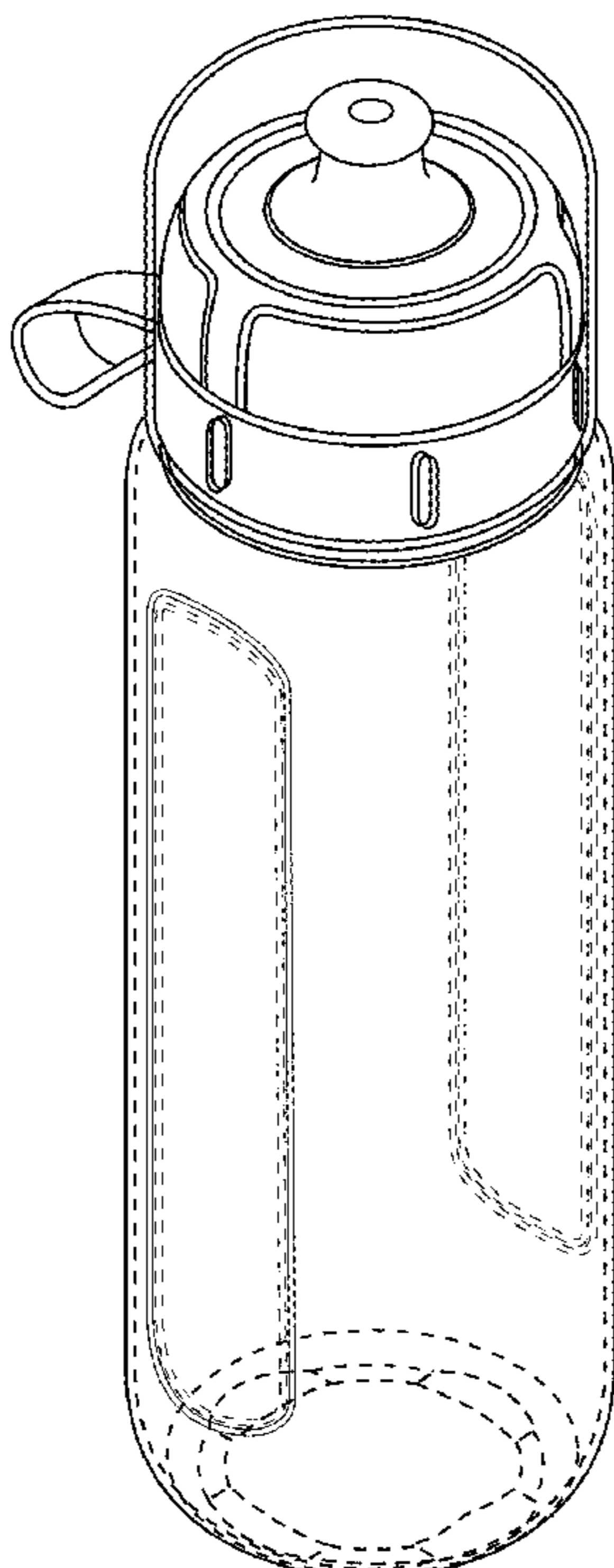
The ornamental design for a “drinking vessel with a lid,” as shown and described.

**DESCRIPTION**

FIG. 1 is a front, right side perspective view of a drinking vessel with a lid showing our new design; FIG. 2 is an enlarged top view thereof; FIG. 3 is an enlarged bottom view thereof; FIG. 4 is a right side view thereof; FIG. 5 is a left side view thereof; FIG. 6 is a front view thereof; and, FIG. 7 is a rear view thereof.

The broken lines are shown for the purpose of illustrating parts of the article that form no part of the claim.

**1 Claim, 7 Drawing Sheets**



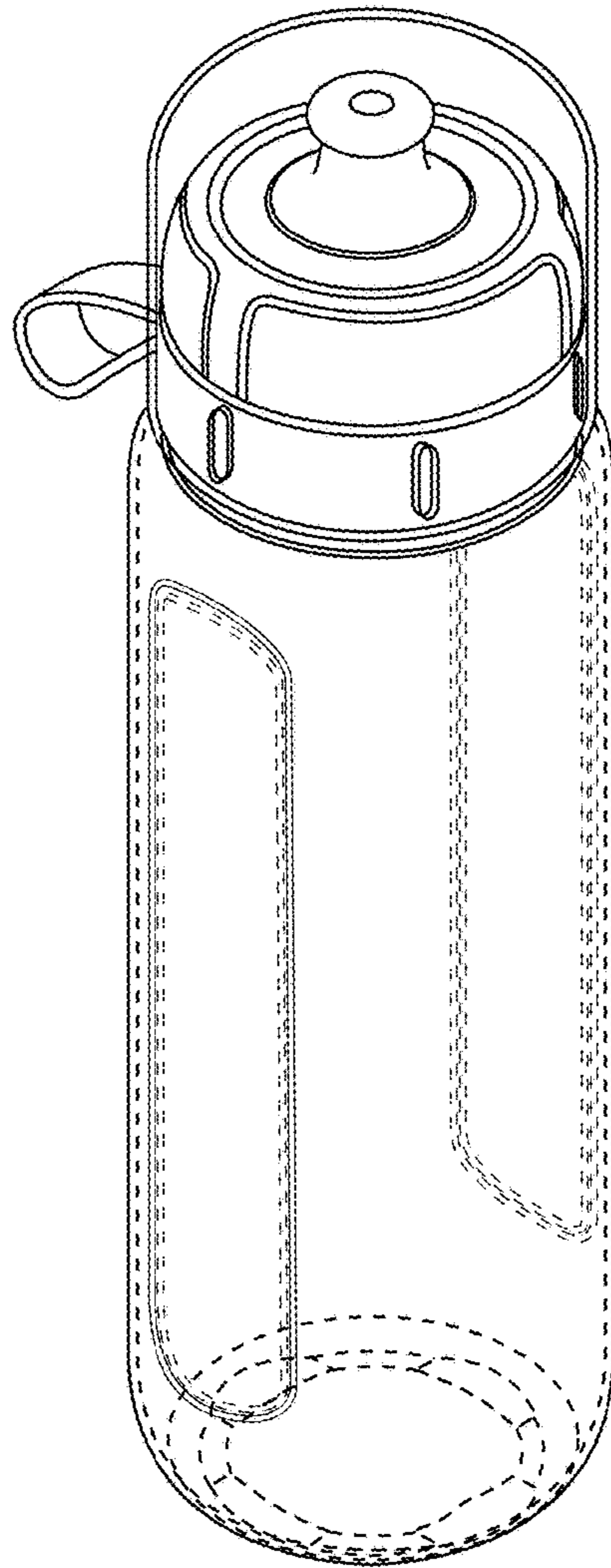


FIG. 1

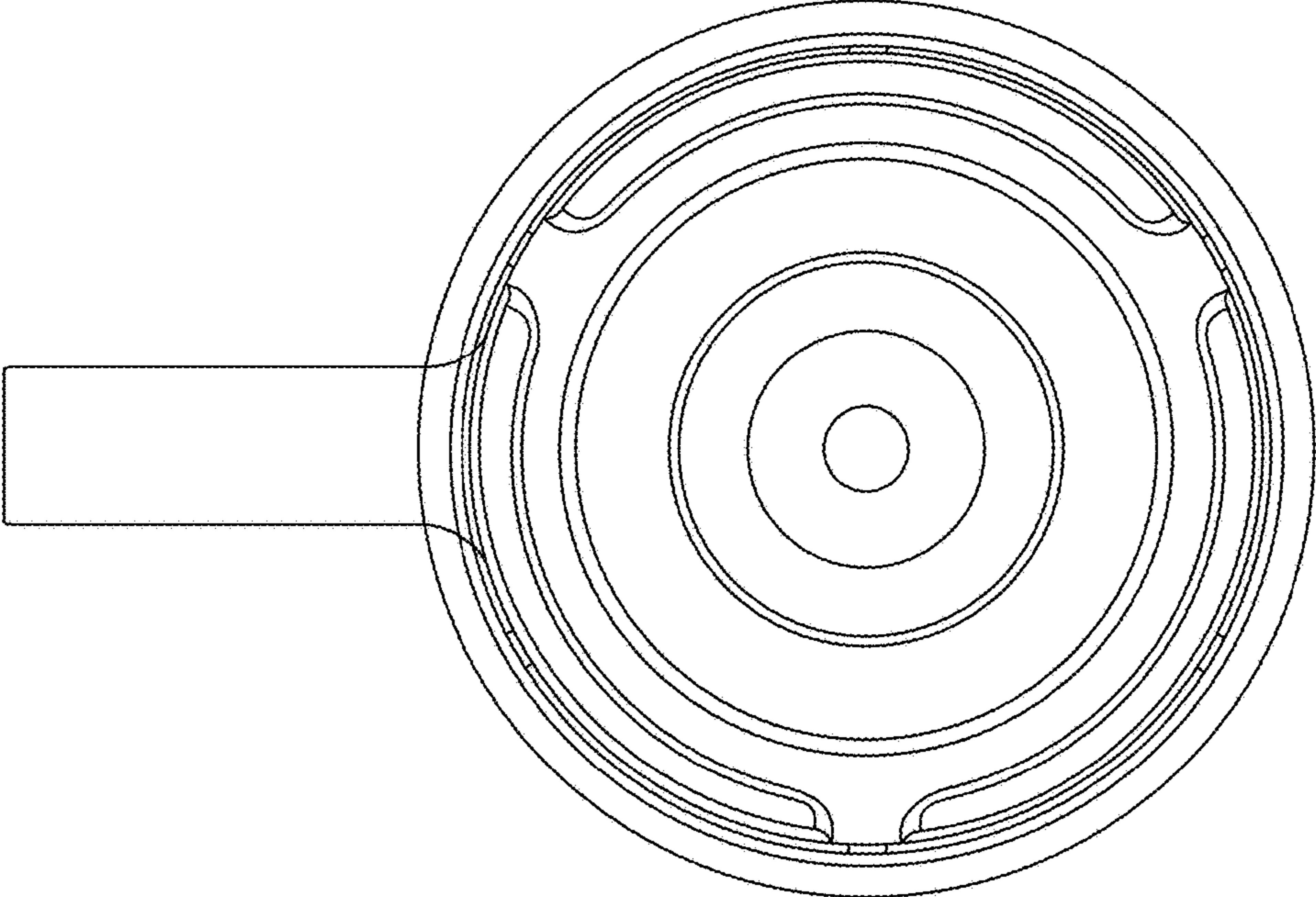


FIG.2

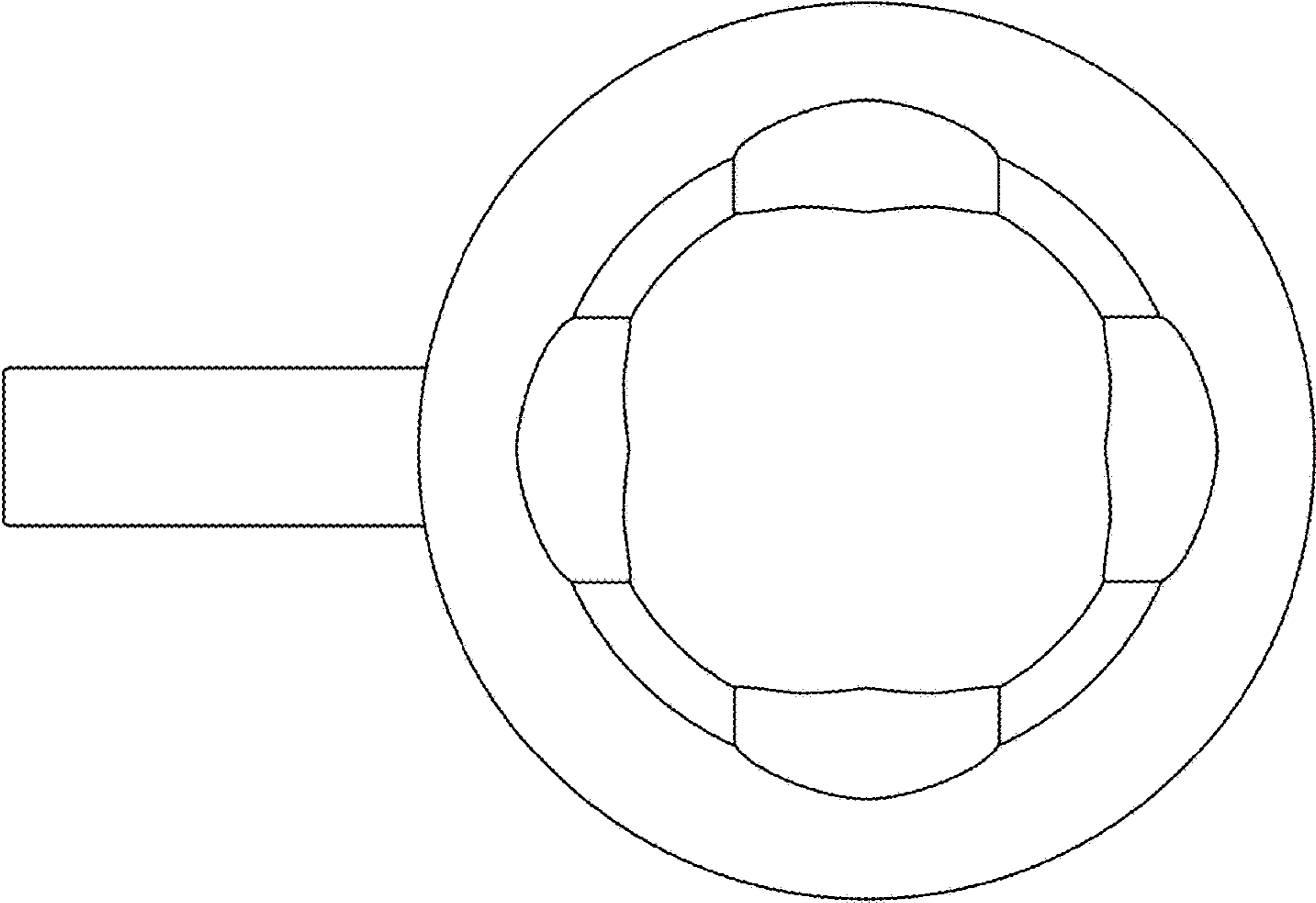


FIG.3

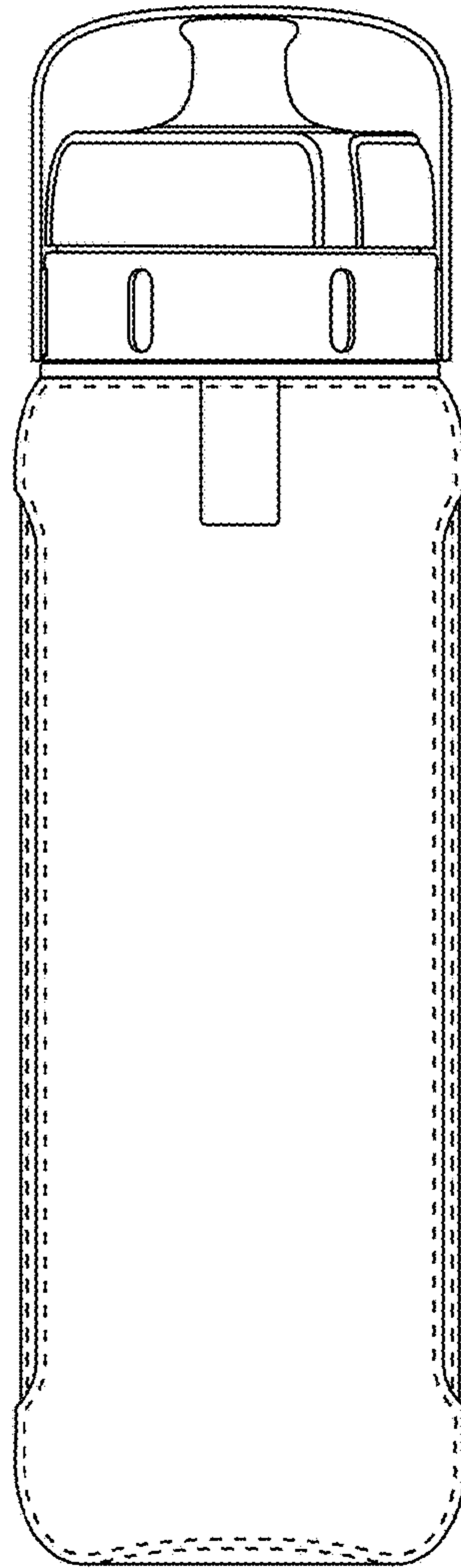


FIG. 4

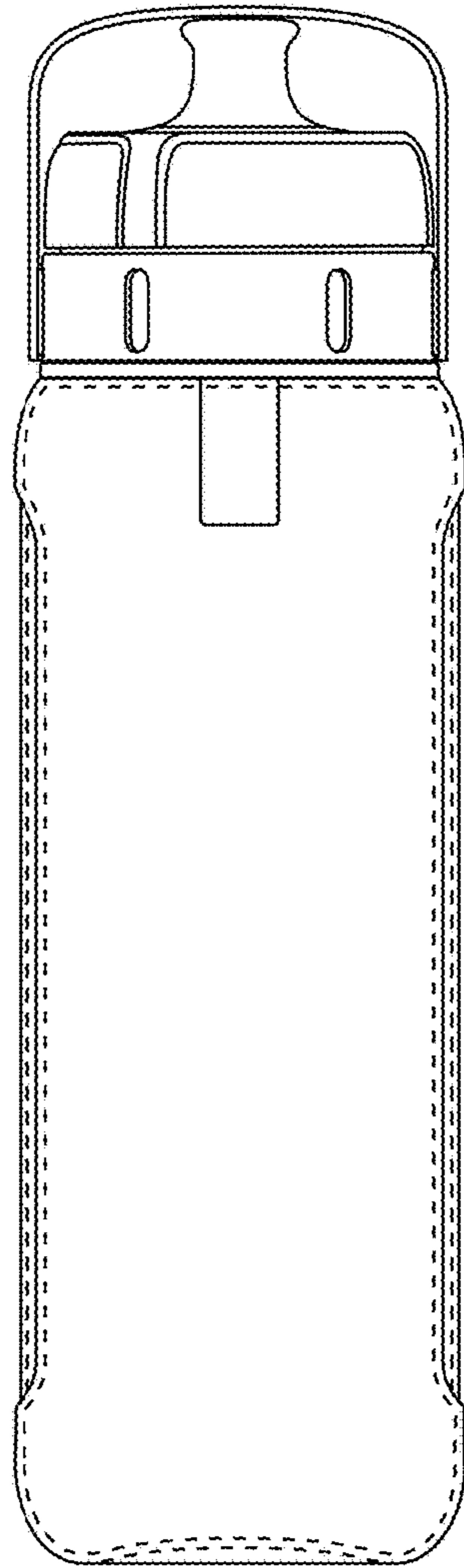


FIG. 5

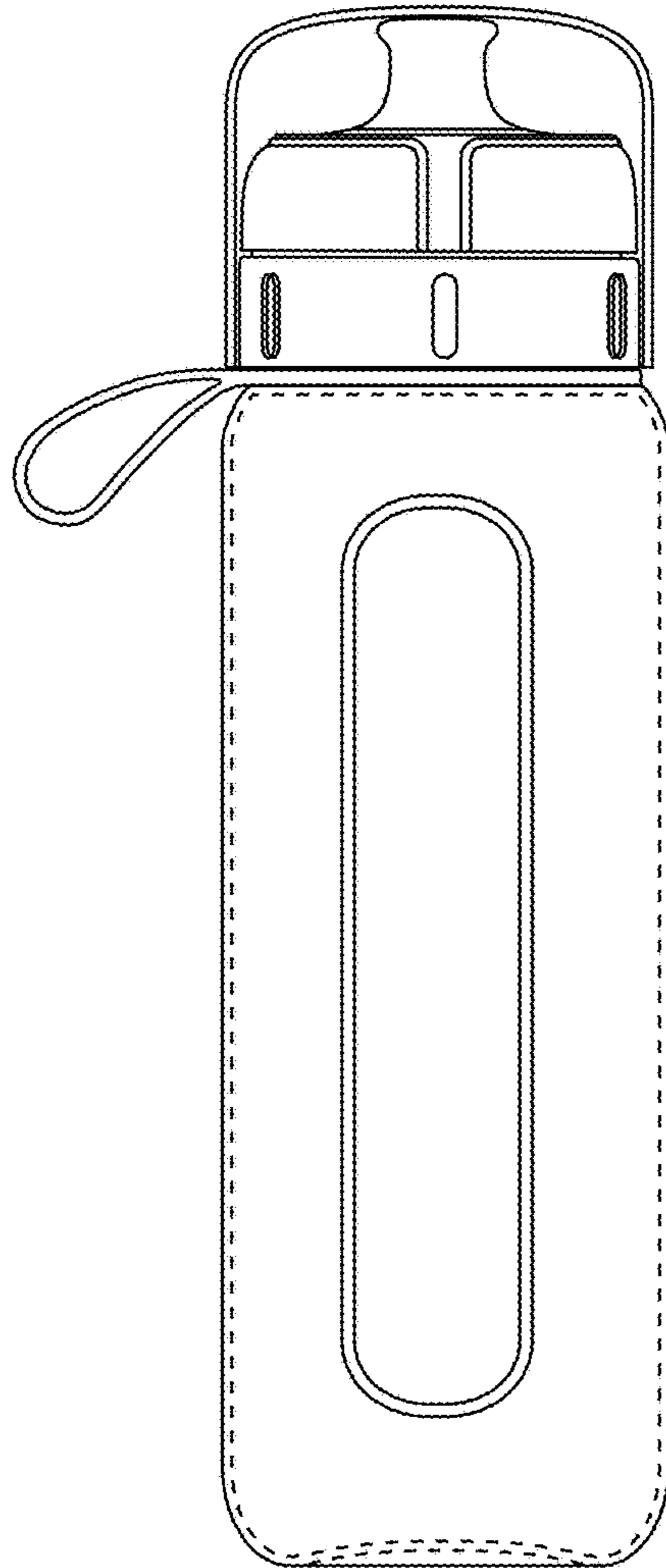


FIG.6

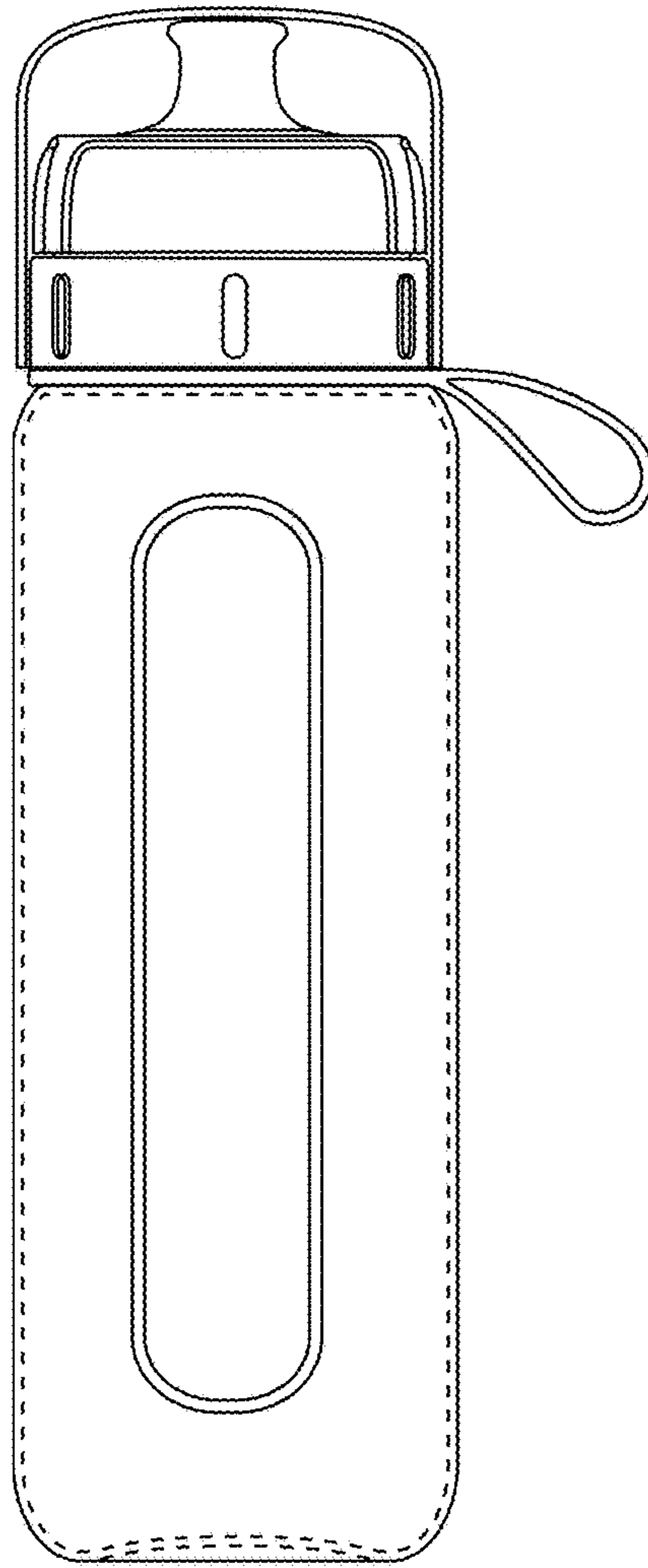


FIG.7