



US00D859079S

(12) **United States Design Patent**  
**Boroski**

(10) **Patent No.:** **US D859,079 S**

(45) **Date of Patent:** **\*\* Sep. 10, 2019**

(54) **BEVERAGE CONTAINER**

(71) Applicant: **THERMOS L.L.C.**, Schaumburg, IL  
(US)

(72) Inventor: **Dwayne Boroski**, Lake in the Hills, IL  
(US)

(73) Assignee: **Thermos L.L.C.**, Schaumburg, IL (US)

(\*\*) Term: **15 Years**

(21) Appl. No.: **29/637,546**

(22) Filed: **Feb. 20, 2018**

D553,437 S *	10/2007	Bodum	.....	D7/509
D588,002 S *	3/2009	D'Amato	.....	D9/447
D652,681 S *	1/2012	Monugian	.....	D7/510
D688,523 S *	8/2013	Lees	.....	D7/510
D751,345 S *	3/2016	Lane	.....	D7/510
D754,478 S *	4/2016	Kushner	.....	D10/44
D772,013 S *	11/2016	O'Connor	.....	D7/509
D773,895 S *	12/2016	Dai	.....	D7/507
D773,896 S *	12/2016	Dai	.....	D7/507
D783,358 S *	4/2017	Schlegel	.....	D7/510
D784,081 S *	4/2017	Szymanski	.....	D7/507
D788,530 S *	6/2017	Kestenbaum	.....	D7/509
D798,663 S *	10/2017	Matsui	.....	D7/507
D827,381 S *	9/2018	Boroski	.....	D7/536
2009/0056556 A1 *	3/2009	Lin	.....	A47G 19/22 99/289 R
2013/0270264 A1 *	10/2013	Suljak	.....	A45C 11/20 220/4.03

**Related U.S. Application Data**

(62) Division of application No. 29/587,505, filed on Dec. 13, 2016, now Pat. No. Des. 815,890.

(51) **LOC (12) Cl.** ..... **07-01**

(52) **U.S. Cl.**  
USPC ..... **D7/510**; D7/511; D7/523; D7/532

(58) **Field of Classification Search**  
USPC ..... D7/507, 509, 510, 511, 523, 527, 529,  
D7/531, 532, 533, 534, 535, 536, 608,  
D7/300, 300.1, 300.2; D34/39; D9/503,  
D9/907, 531, 435; 220/592.16, 592.17,  
220/495.03, 705-710  
CPC ..... A47G 19/22; A47G 19/2205; A47G  
19/2222; A45F 3/16; A45F 3/20; B67D  
7/06; B67D 1/0004; B65D 25/14  
See application file for complete search history.

(56) **References Cited**

**U.S. PATENT DOCUMENTS**

4,130,215 A *	12/1978	Corey	.....	A47G 19/2205 220/719
D289,484 S *	4/1987	Forquer	.....	D7/532

\* cited by examiner

*Primary Examiner* — Marianne N Pandozzi

*Assistant Examiner* — Jae Liang

(74) *Attorney, Agent, or Firm* — Polsinelli PC

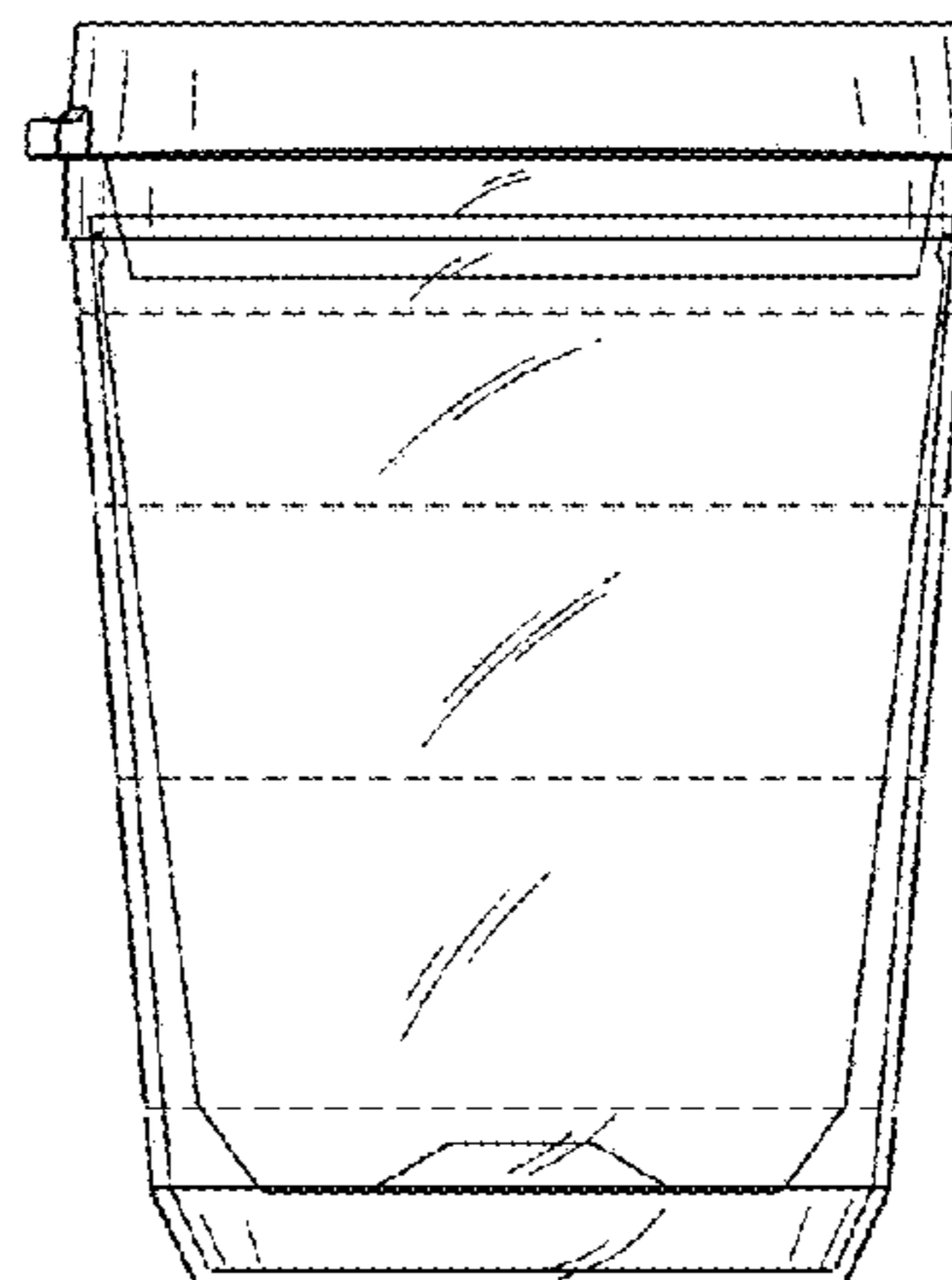
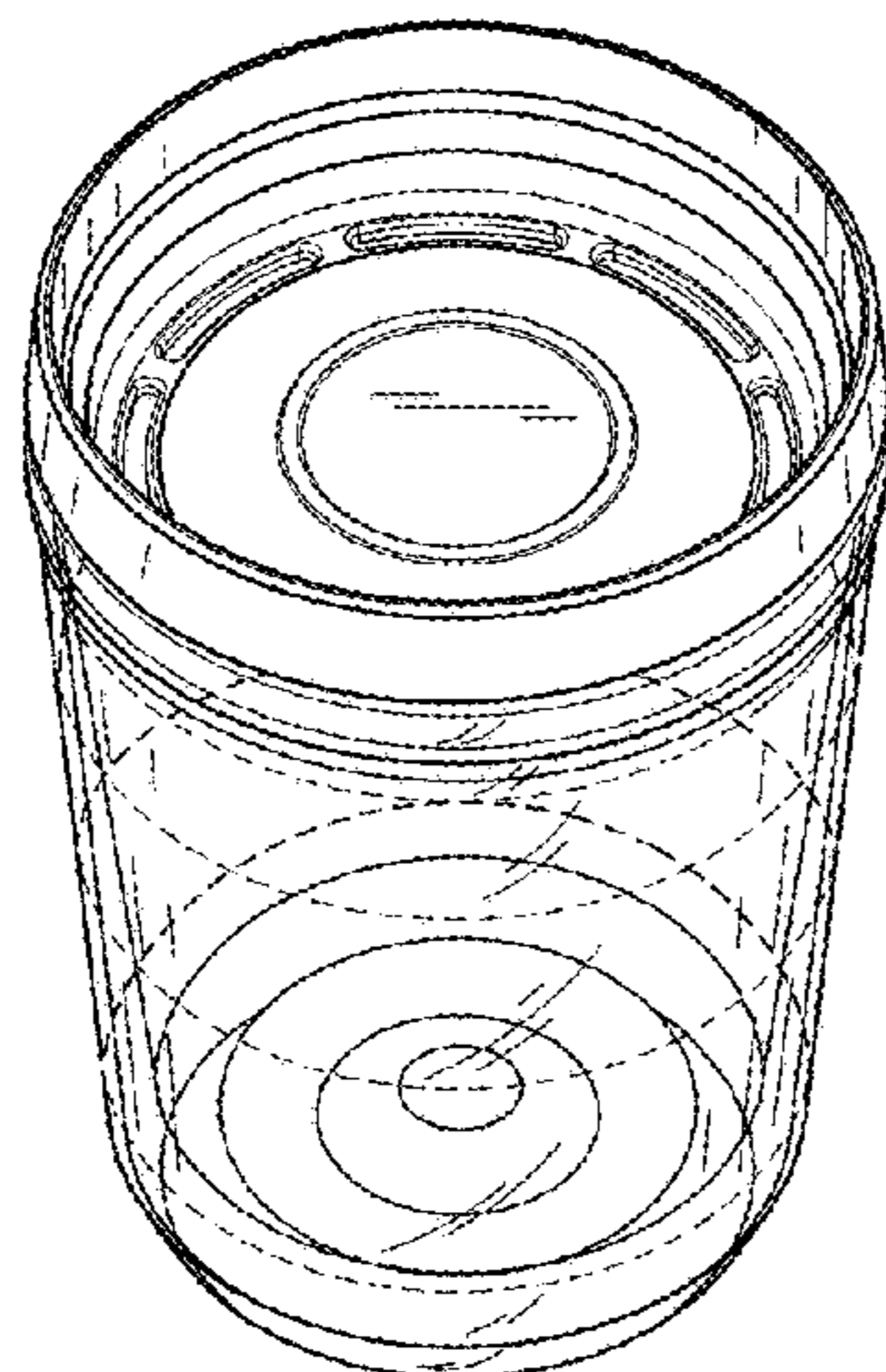
(57) **CLAIM**

The ornamental design for a beverage container, as shown and described.

**DESCRIPTION**

FIG. 1 is a perspective view of a beverage container showing my new design;  
FIG. 2 is a front view of the beverage container;  
FIG. 3 is a rear view of the beverage container;  
FIG. 4 is a left side view of the beverage container;  
FIG. 5 is a right side view of the beverage container;  
FIG. 6 is a top view of the beverage container; and,  
FIG. 7 is a bottom view of the beverage container.  
The broken lines in the drawings depict portions of the beverage container that form no part of the claimed design.

**1 Claim, 4 Drawing Sheets**



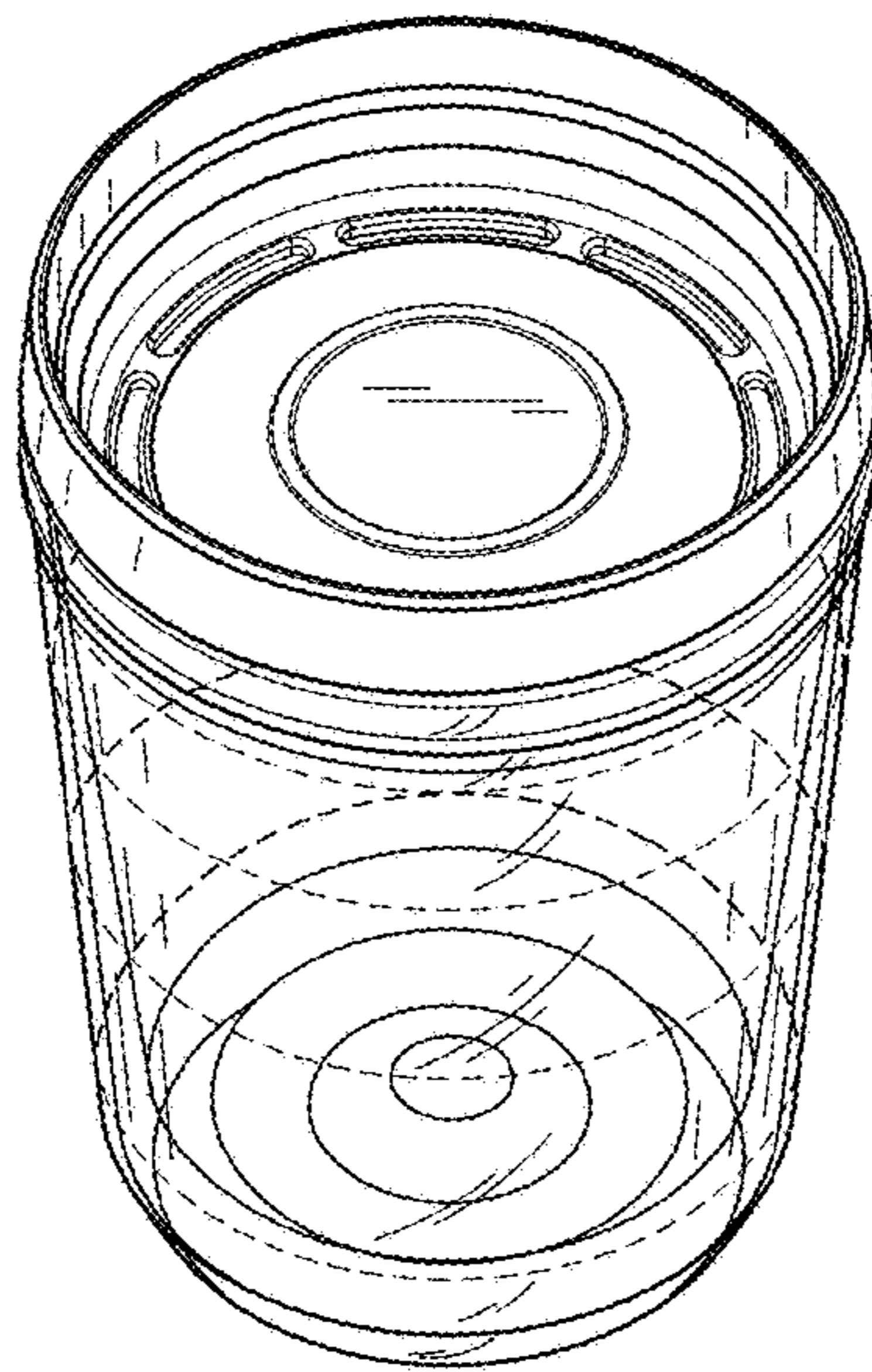


FIG. 1

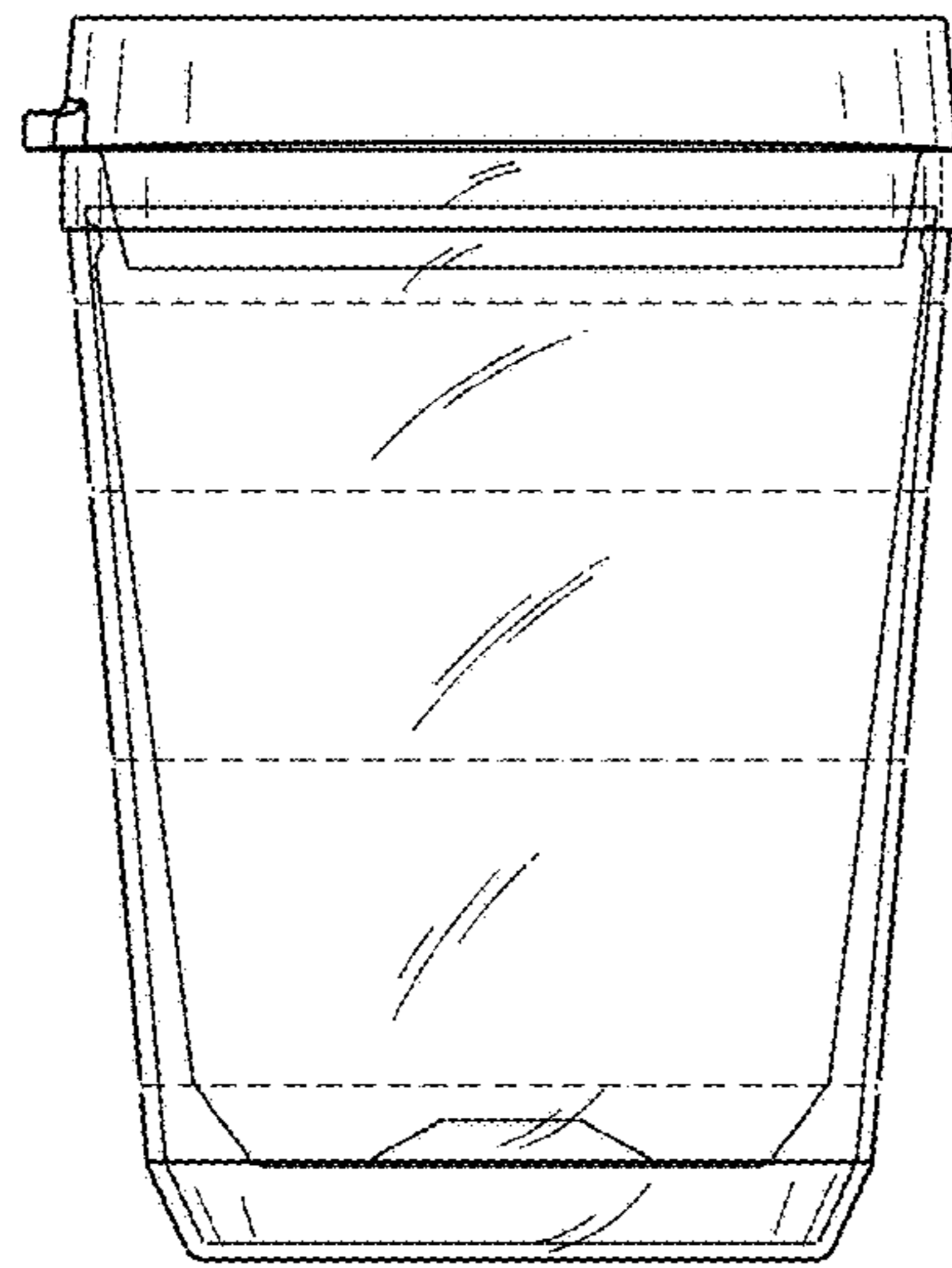


FIG. 2

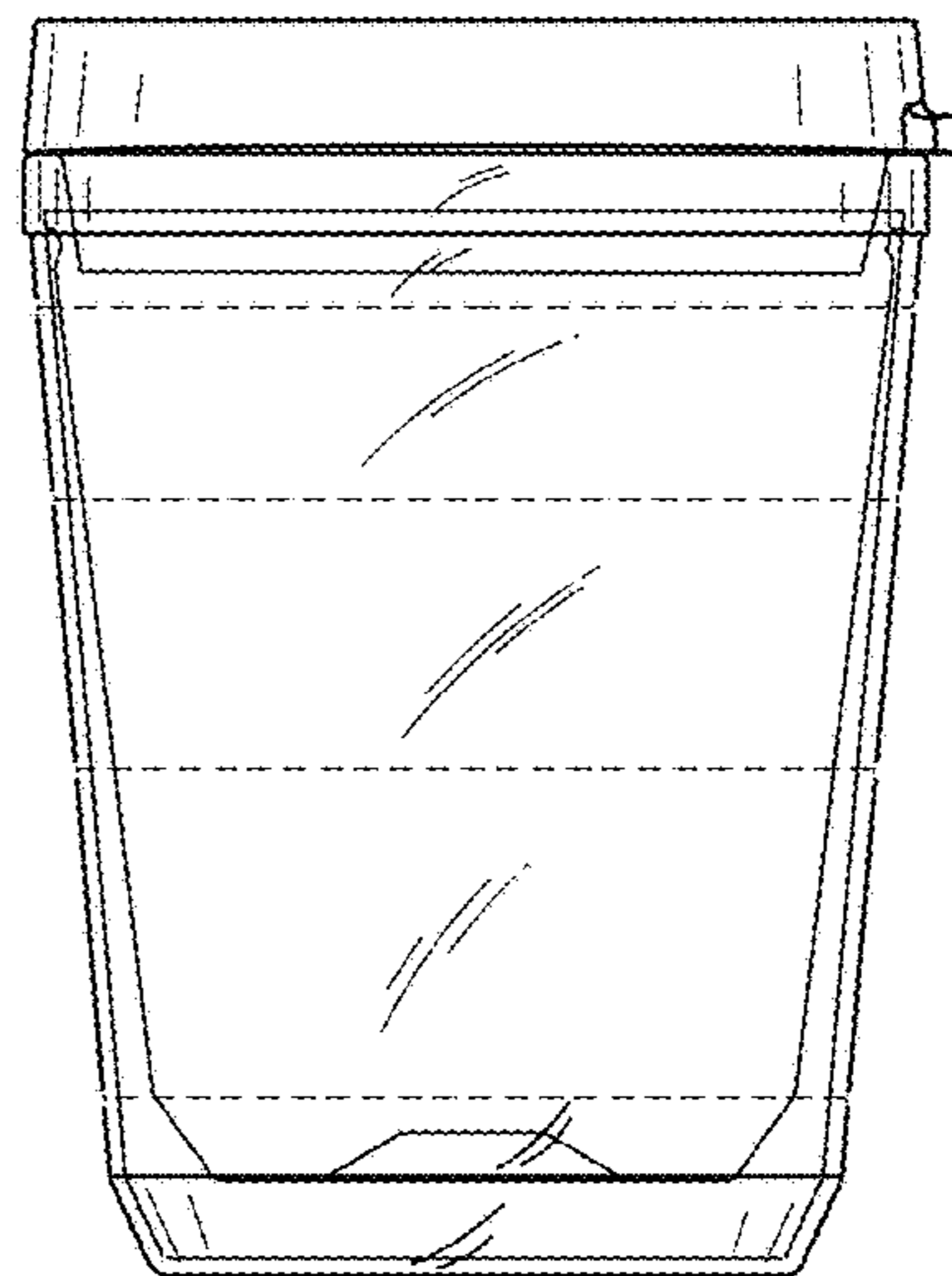


FIG. 3

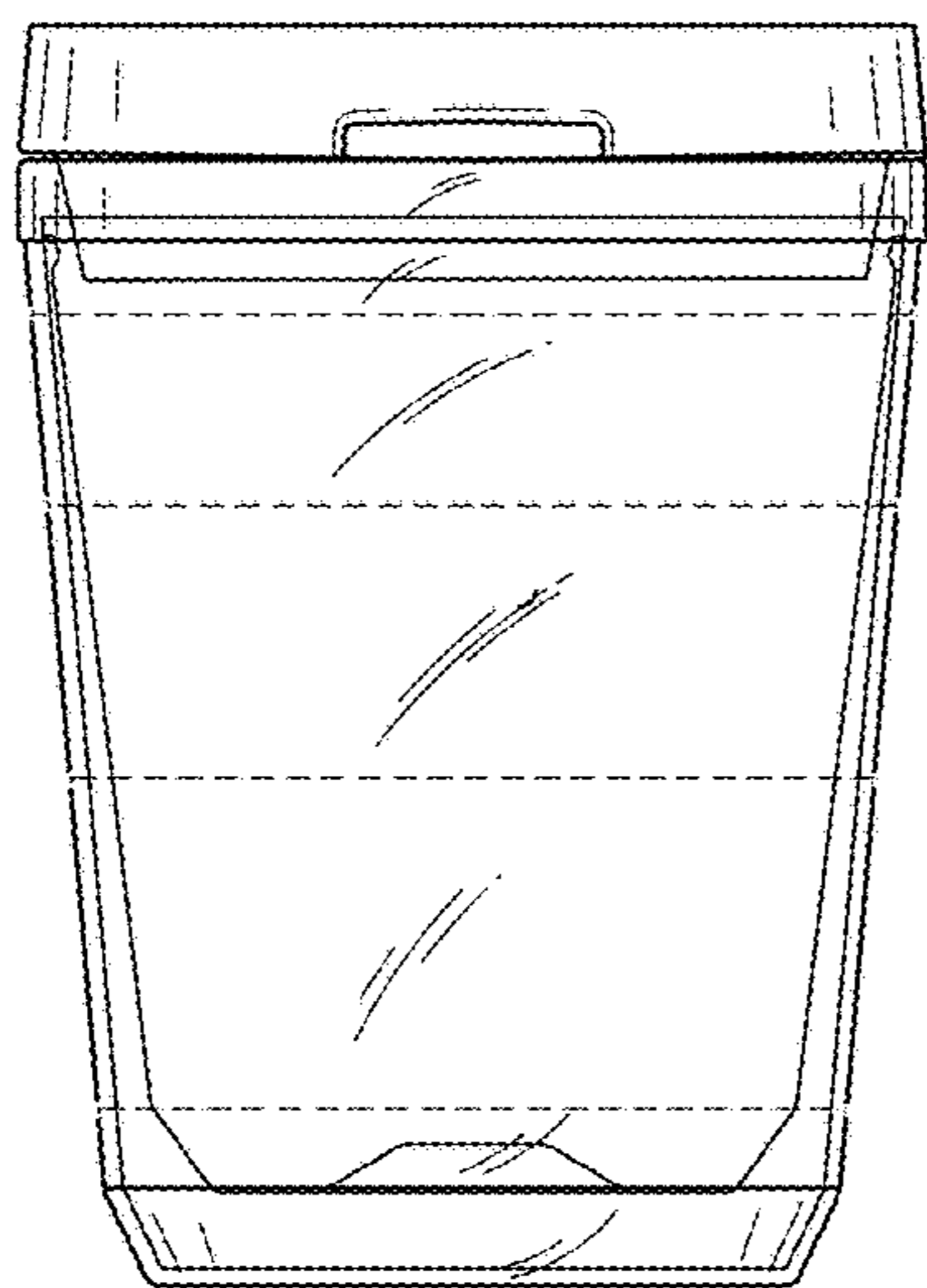


FIG. 4

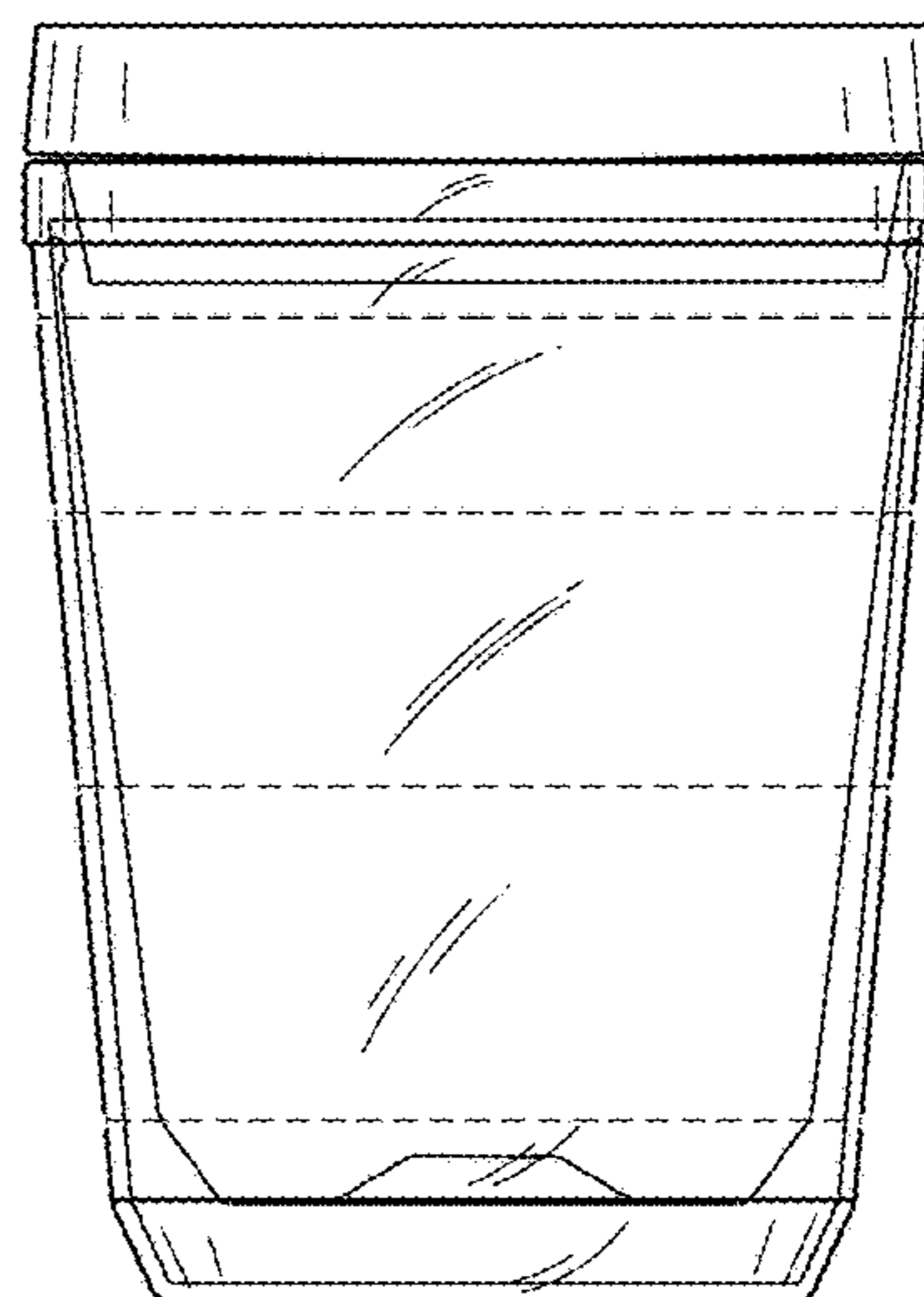


FIG. 5

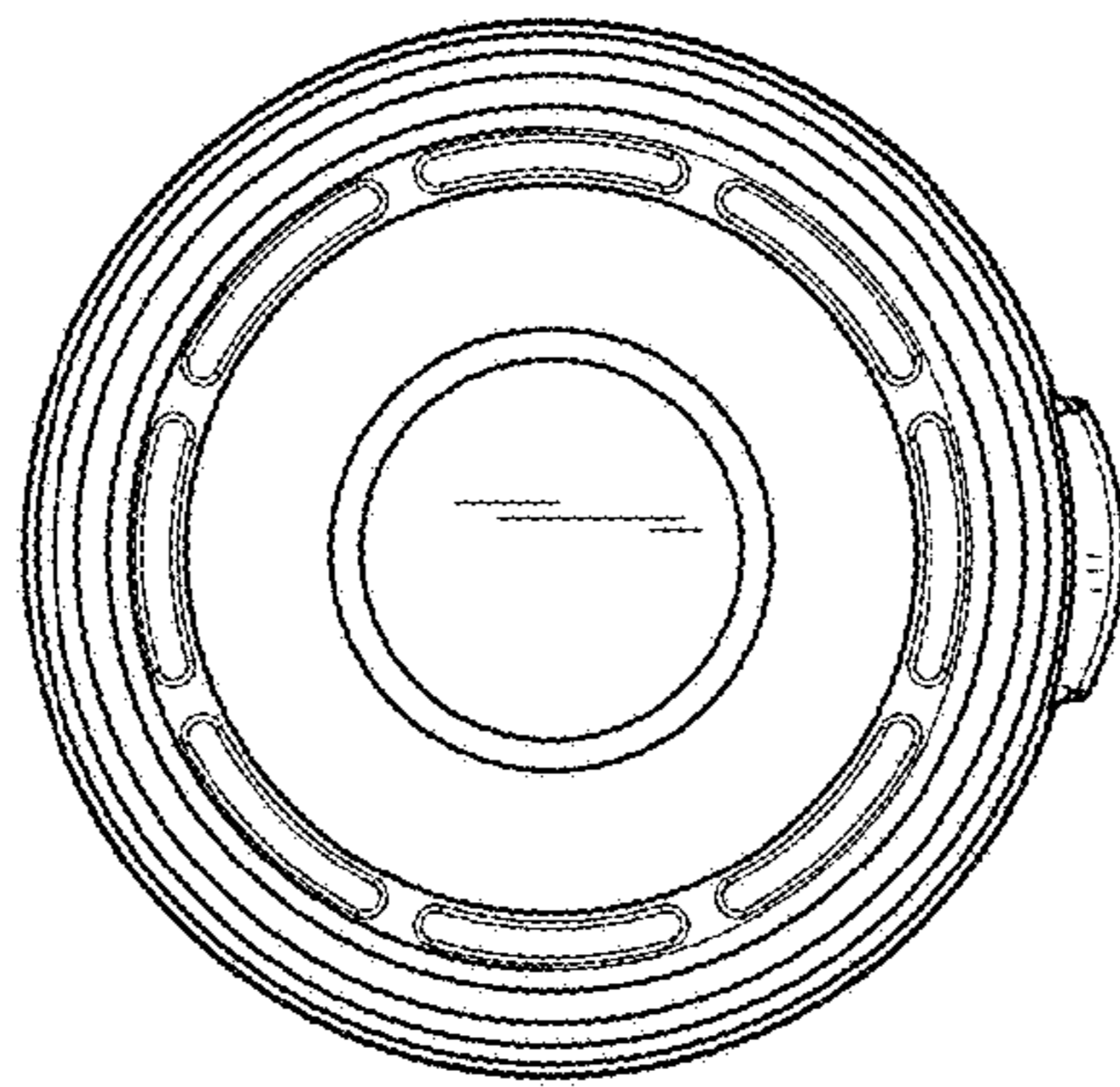


FIG. 6

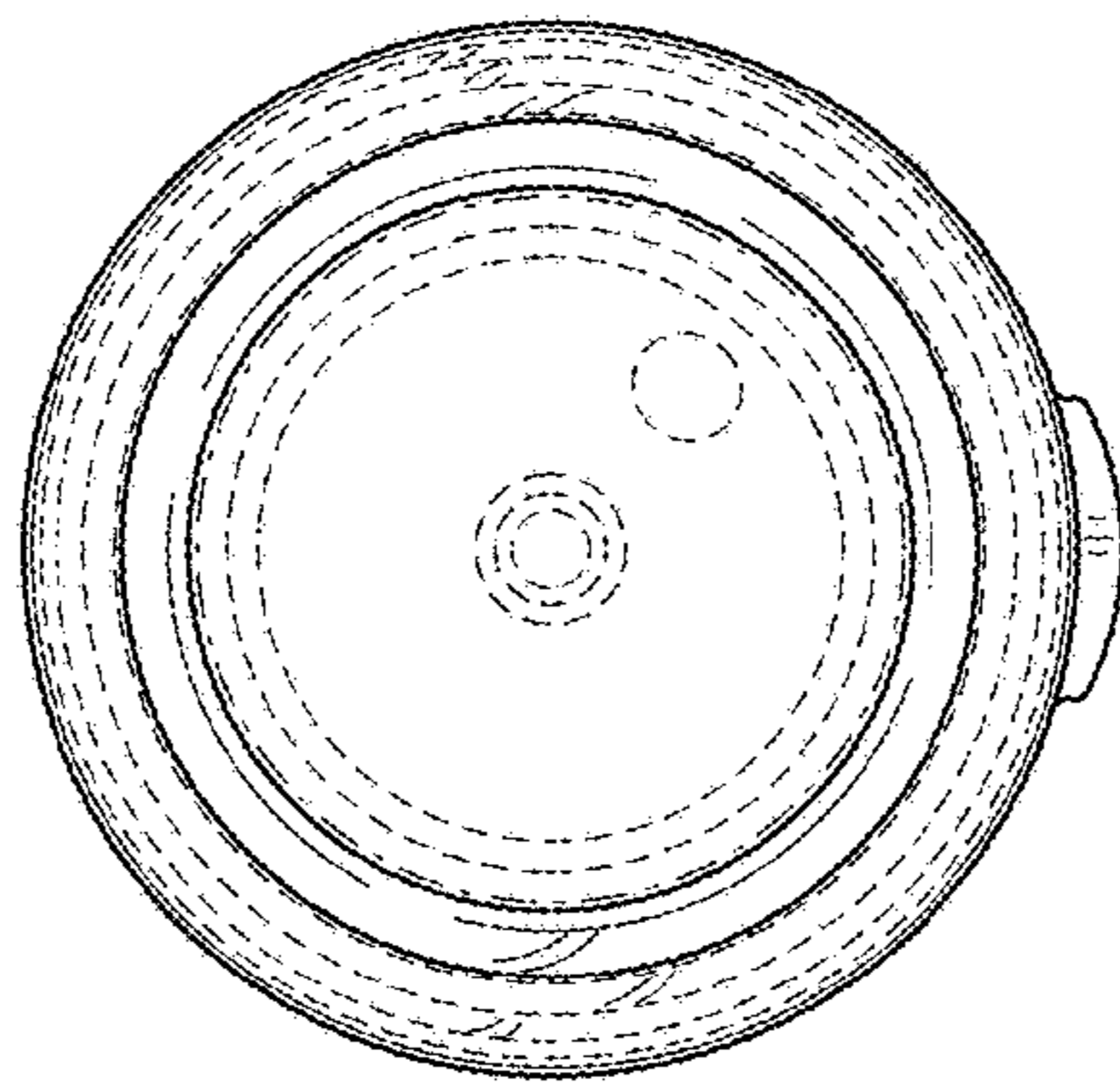


FIG. 7