



US00D859075S

(12) **United States Design Patent**
Glanville

(10) **Patent No.:** **US D859,075 S**

(45) **Date of Patent:** **** Sep. 10, 2019**

- (54) **SUSPENSION HOOK**
- (71) Applicant: **PIT BARREL COOKER CO., LLC**,
Prospect, KY (US)
- (72) Inventor: **Noah E. Glanville**, Prospect, KY (US)
- (**) Term: **15 Years**
- (21) Appl. No.: **29/634,710**
- (22) Filed: **Jan. 24, 2018**
Related U.S. Application Data
- (63) Continuation-in-part of application No. 29/603,387,
filed on May 9, 2017.
- (51) **LOC (12) Cl.** **07-02**
- (52) **U.S. Cl.**
USPC **D7/409**
- (58) **Field of Classification Search**
USPC D7/323, 332, 335-337, 354-355,
D7/359-364, 387-388, 395, 402,
D7/407-409, 690
CPC .. A01K 27/00; A21B 2/00; A21B 3/00; A21B
3/13; A21B 3/15; A21B 5/00; A21B 5/02;
A23N 12/06; A23N 12/08; A23N 12/10;
A47F 5/0006; A47J 27/04; A47J 37/00;
A47J 37/04; A47J 37/041; A47J 37/042;
A47J 37/06; A47J 37/0688; A47J
37/0694; A47J 37/07; A47J 37/0704;
A47J 37/10; A47J 37/1204; A47J 45/00;
A47J 45/071; A47J 47/20; A47J 2037/00;
A47J 2037/06; A47J 2037/0611; A47J
2037/07; A47J 2037/0786; A47J
2037/0795; F24C 15/10; F24C 15/12;
F24C 15/14; F24C 15/16; F24C 15/164;
F24C 15/18; E05C 19/06
See application file for complete search history.

- 3,310,272 A * 3/1967 Brunger A47F 5/0006
211/113
- D308,457 S * 6/1990 Bleiler D7/394
- D338,804 S * 8/1993 Crawford D7/393
- 5,758,569 A * 6/1998 Barbour A47J 37/1204
99/415
- 6,711,992 B1 * 3/2004 McLemore A47J 27/04
99/339
- 7,331,619 B2 * 2/2008 Lewis E05C 19/06
292/336.3
- D648,174 S * 11/2011 Lu A47J 37/1204
D7/354
- 8,627,550 B1 * 1/2014 Chung A47J 45/00
16/422
- 9,107,391 B1 * 8/2015 McGuire A01K 27/00
(Continued)

Primary Examiner — Ricky Pham
(74) *Attorney, Agent, or Firm* — Reilly Intellectual
Property Law Firm

(57) **CLAIM**

The ornamental design for a suspension hook, as shown and described.

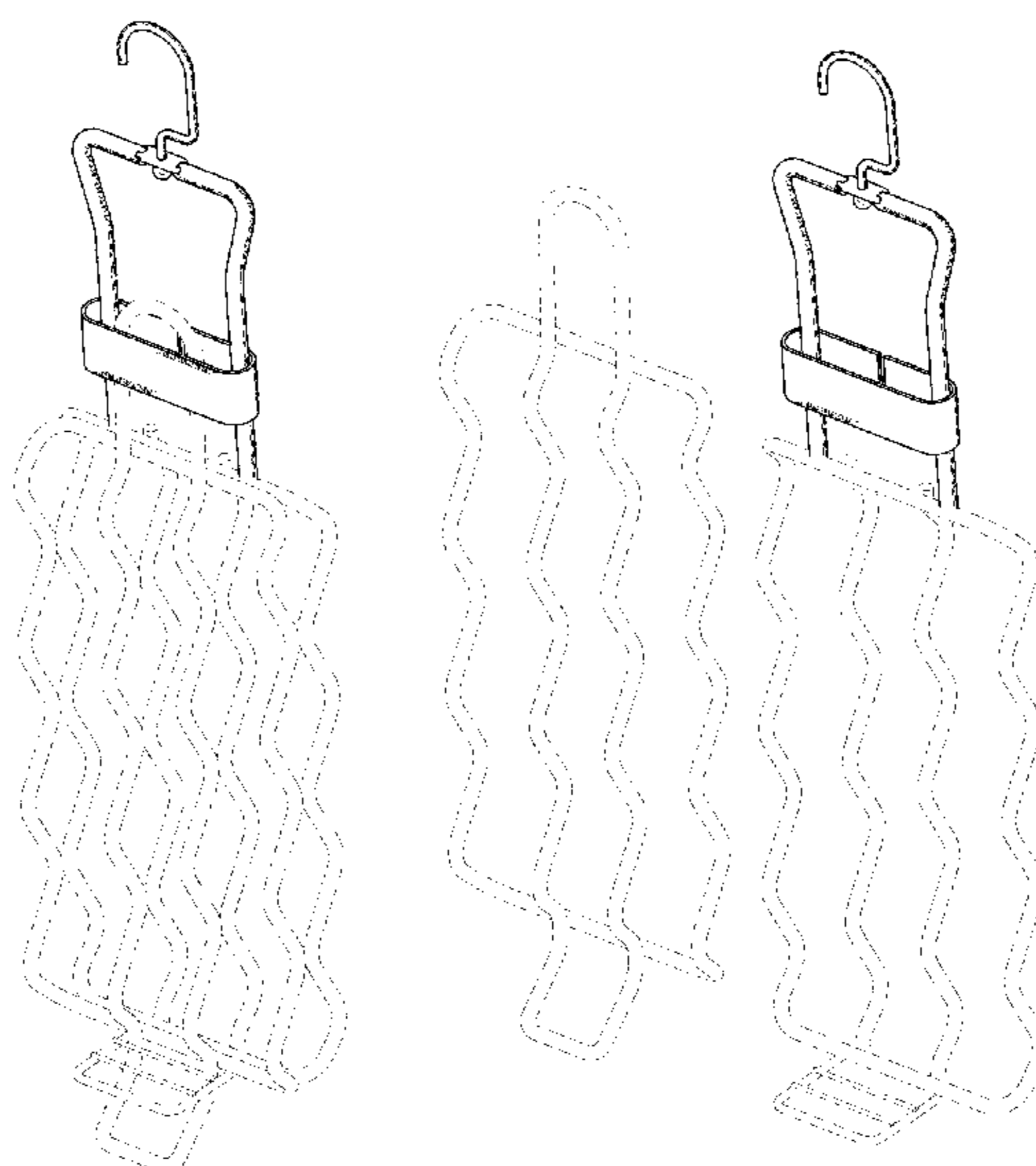
DESCRIPTION

FIG. 1 is a front perspective view of a suspension hook showing my new design;
FIG. 2 is an exploded view of FIG. 1;
FIG. 3 is a top view of FIG. 1;
FIG. 4 is a left side view of FIG. 1;
FIG. 5 is a front view of FIG. 1;
FIG. 6 is a right side view of FIG. 1;
FIG. 7 is rear view of FIG. 5; and,
FIG. 8 is a bottom view of FIG. 1.
The broken lines included in FIGS. 1-8 are for the purpose of illustrating environmental structure and form no part of the claimed design.

(56) **References Cited**
U.S. PATENT DOCUMENTS

- 3,297,349 A * 1/1967 Pryce A47J 45/071
220/759

1 Claim, 3 Drawing Sheets



(56)

References Cited

U.S. PATENT DOCUMENTS

D752,921 S * 4/2016 Boulton A47J 27/04
D7/409
D840,749 S * 2/2019 Zemel D7/395
2014/0020569 A1* 1/2014 Webb A47J 37/1204
99/418

* cited by examiner

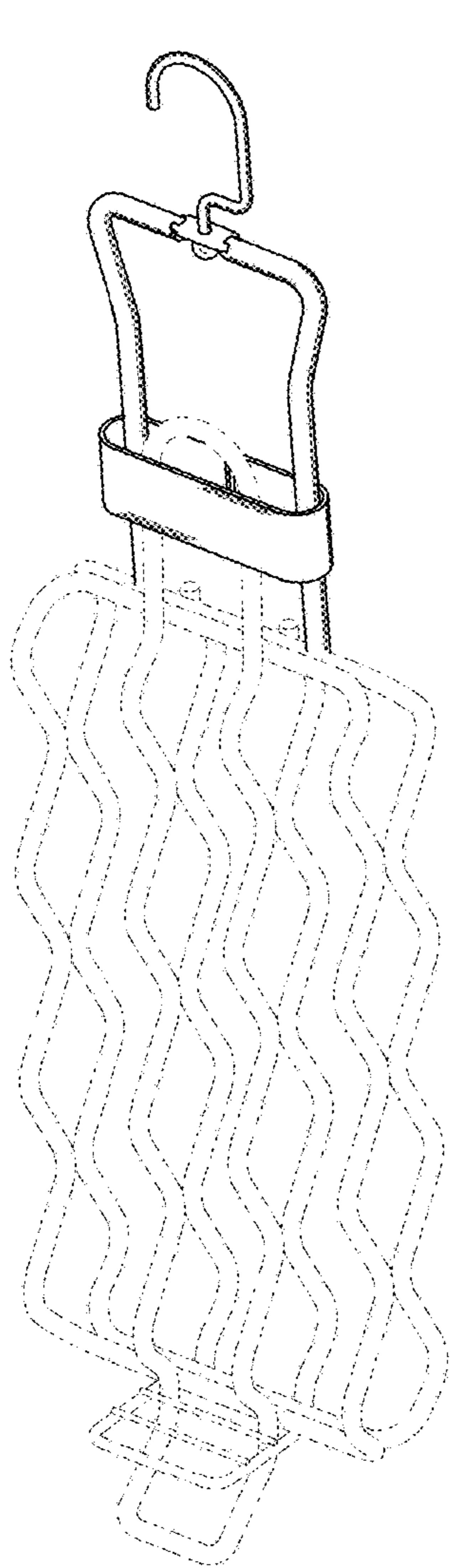


Fig. 1

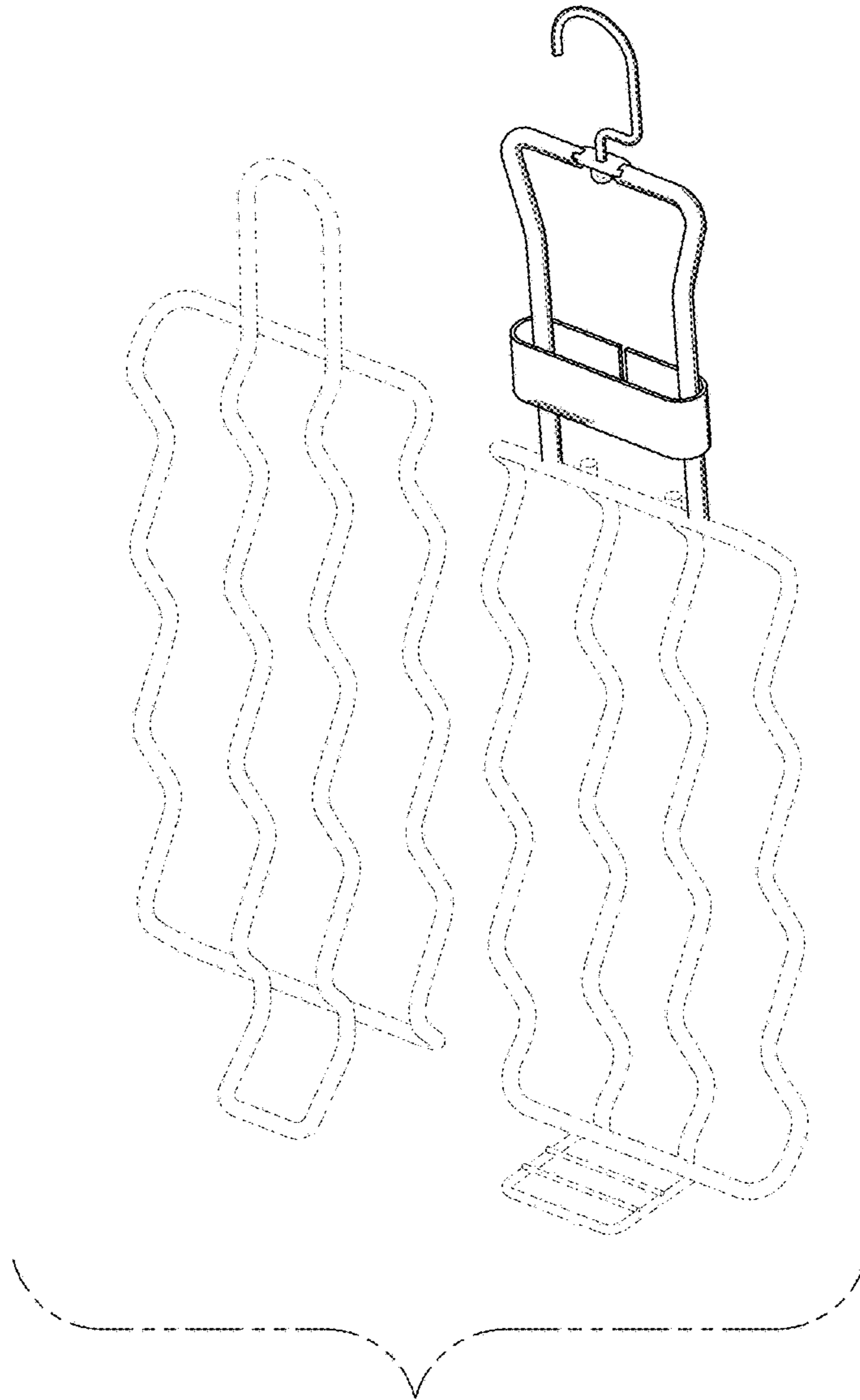


Fig. 2

Fig. 3

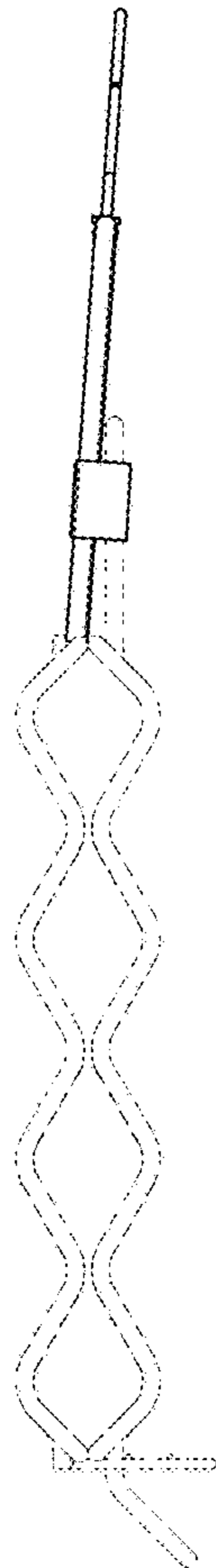
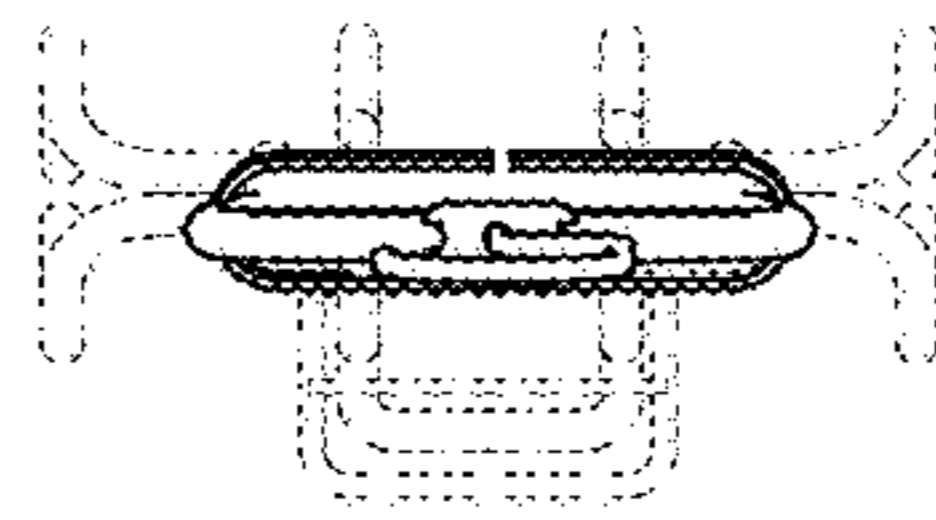


Fig. 4

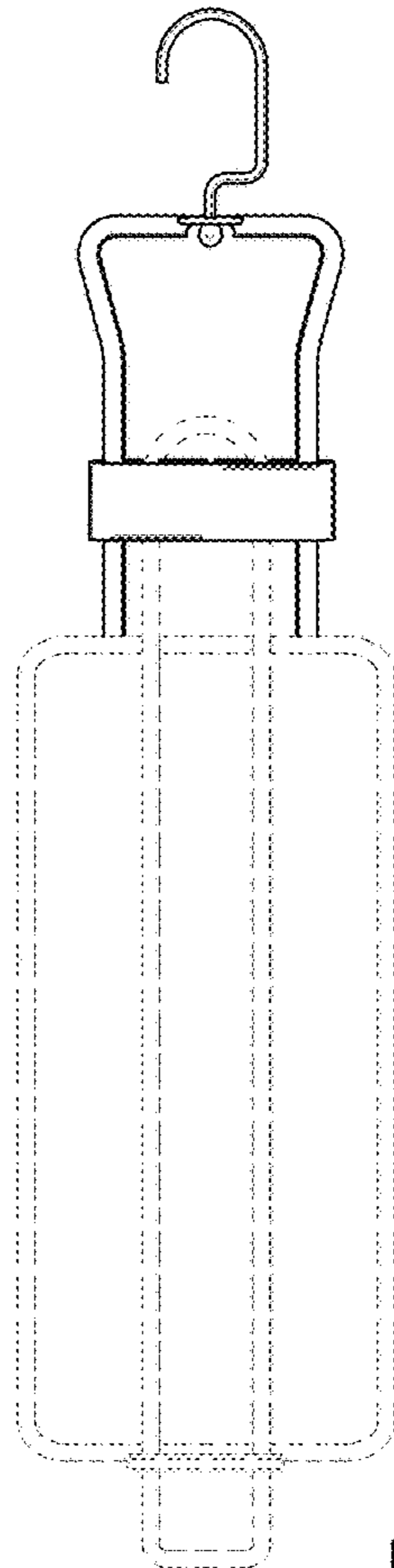


Fig. 5

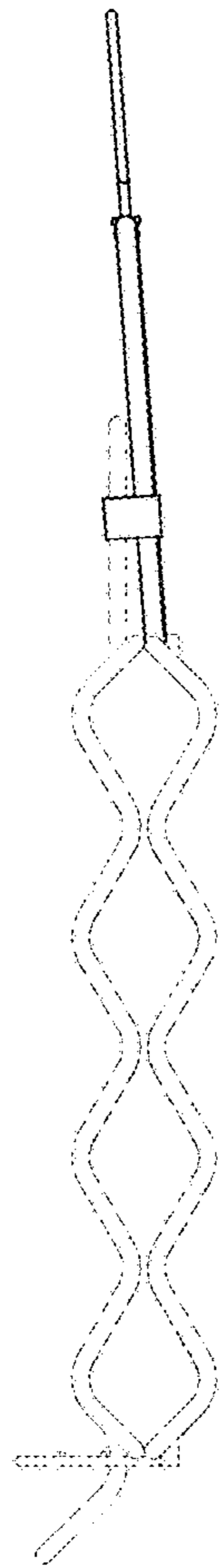


Fig. 6

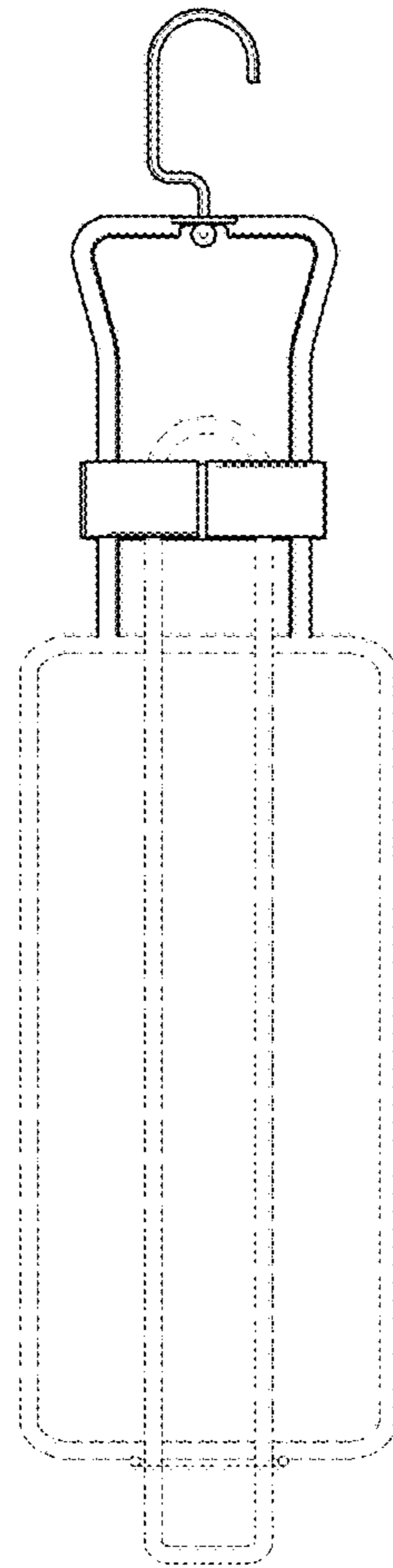


Fig. 7

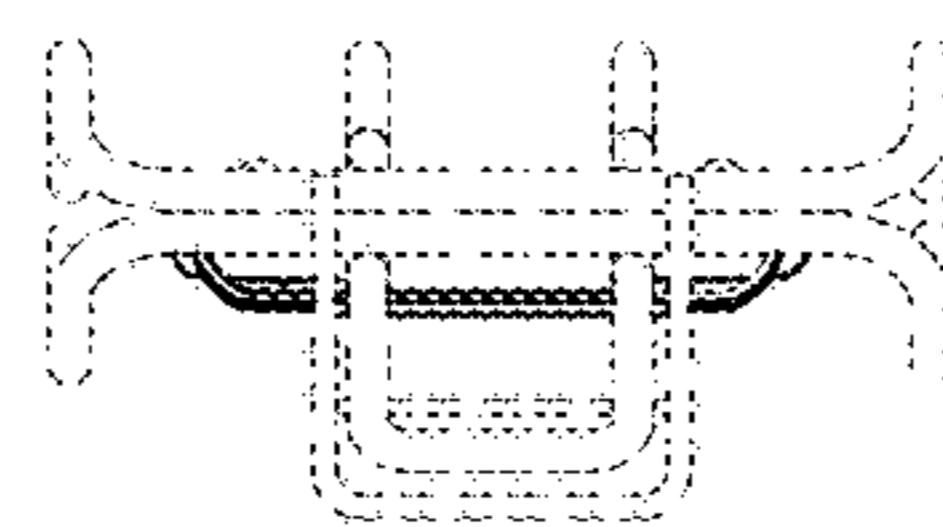


Fig. 8