



US00D859074S

(12) **United States Design Patent**
Nilssen

(10) **Patent No.:** **US D859,074 S**

(45) **Date of Patent:** **** Sep. 10, 2019**

- (54) **GAS BURNER CAP**
- (71) Applicant: **Hestan Commercial Corporation,**
Anaheim, CA (US)
- (72) Inventor: **Raymond Nilssen,** Fairhope, AL (US)
- (73) Assignee: **Hestan Commercial Corporation,**
Anaheim, CA (US)

D642,416 S * 8/2011 Scott D7/332
 D771,437 S * 11/2016 Segers D7/346
 D787,041 S * 5/2017 Lah D23/415
 D807,103 S * 1/2018 Lorenz D7/332
 D812,415 S * 3/2018 Best D7/362
 2014/0060517 A1* 3/2014 Ren F23D 14/065
 126/39 E
 2016/0245529 A1* 8/2016 McClean F21L 26/00

* cited by examiner

(**) Term: **15 Years**

Primary Examiner — Sheryl Lane

Assistant Examiner — Nicole C Shiflet

(21) Appl. No.: **29/630,503**

(74) *Attorney, Agent, or Firm* — Edward S. Sherman

(22) Filed: **Dec. 21, 2017**

(57) **CLAIM**

(51) **LOC (12) Cl.** **07-02**

The ornamental design for a gas burner cap, as shown and described.

(52) **U.S. Cl.**

USPC **D7/407**

DESCRIPTION

(58) **Field of Classification Search**

USPC D7/332–337, 339–341, 346–349,
D7/354–356, 362, 363, 366, 367, 396.1,
D7/402–407

CPC F23D 14/00; F23D 14/02; F23D 14/04;
F24C 3/08; H05B 2213/07; H05B 3/68

See application file for complete search history.

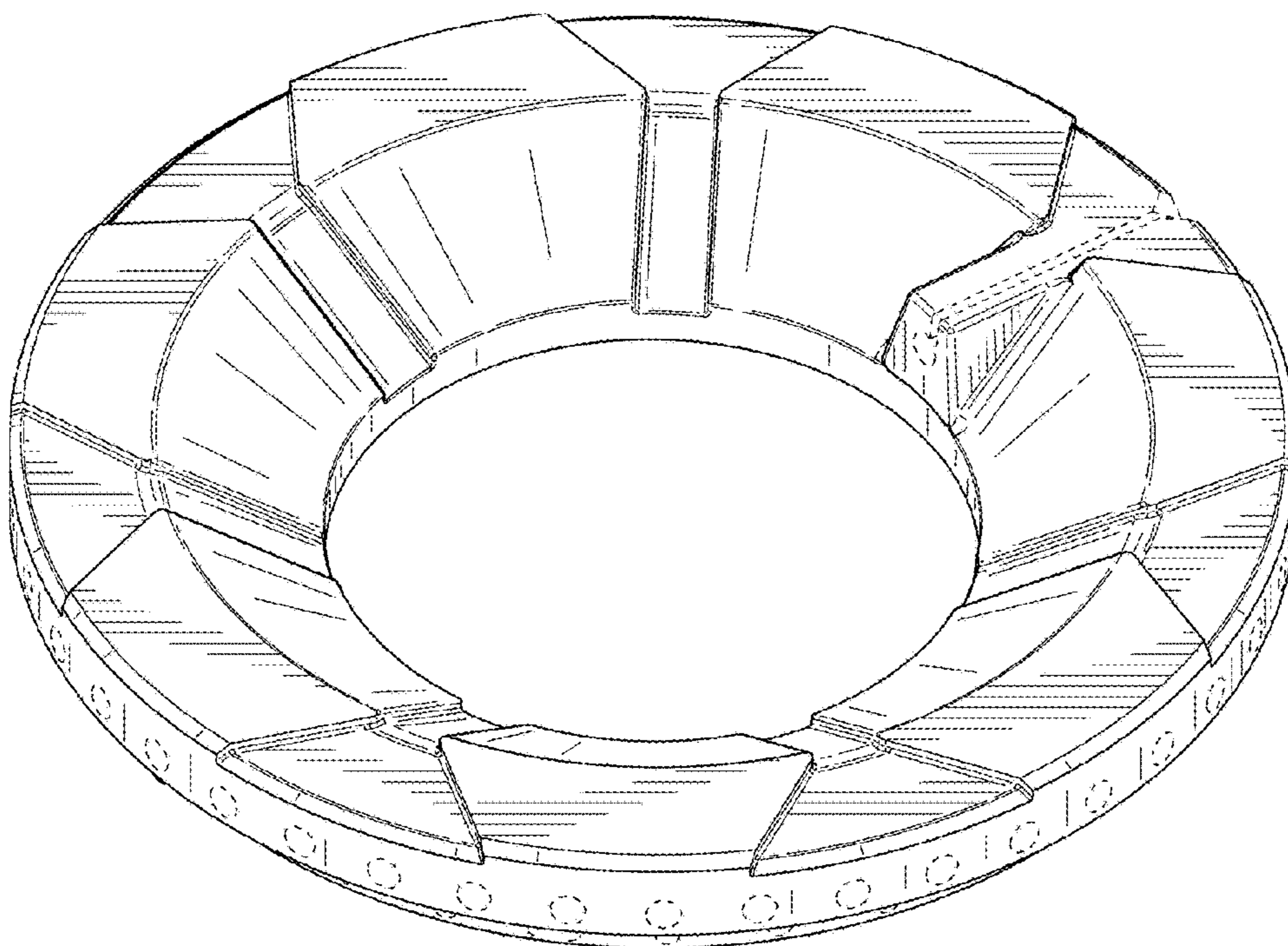
FIG. 1 is a top perspective view of the gas burner cap showing my new design;
 FIG. 2 is a top plan view thereof;
 FIG. 3 is a front elevation view thereof;
 FIG. 4 is a back elevation view thereof;
 FIG. 5 is a right side elevation view, the left side elevation being the mirror image thereof;
 FIG. 6 is a bottom plan view thereof; and,
 FIG. 7 is a bottom perspective view thereof.
 The broken lines in FIGS. 1-7 showing portions of the article form no part of the claimed design.

(56) **References Cited**

U.S. PATENT DOCUMENTS

D245,663 S * 9/1977 Gordon D7/407
 D342,865 S * 1/1994 Addison D7/402
 D630,897 S * 1/2011 Jarvis D7/407

1 Claim, 5 Drawing Sheets



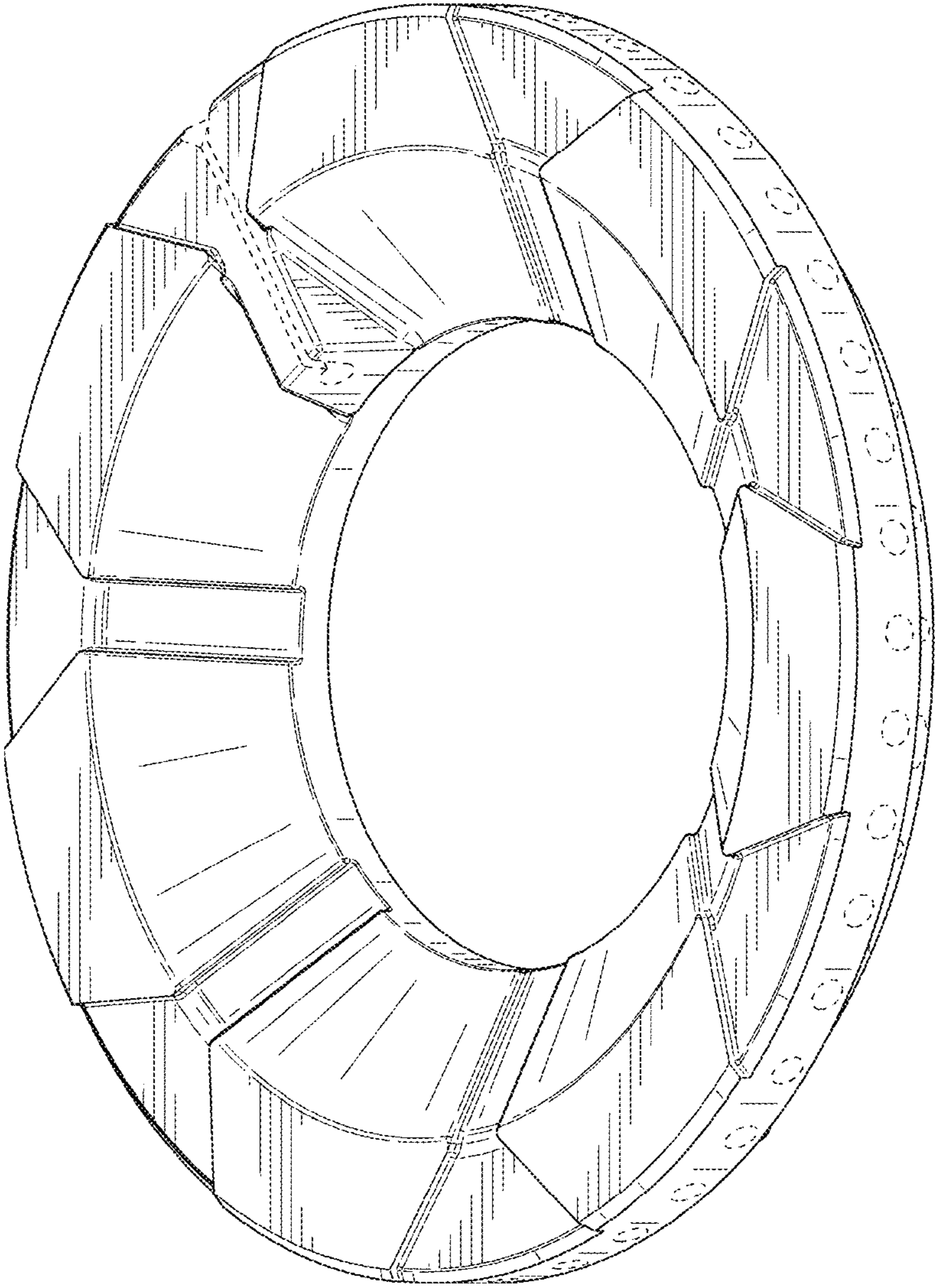


FIG. 1

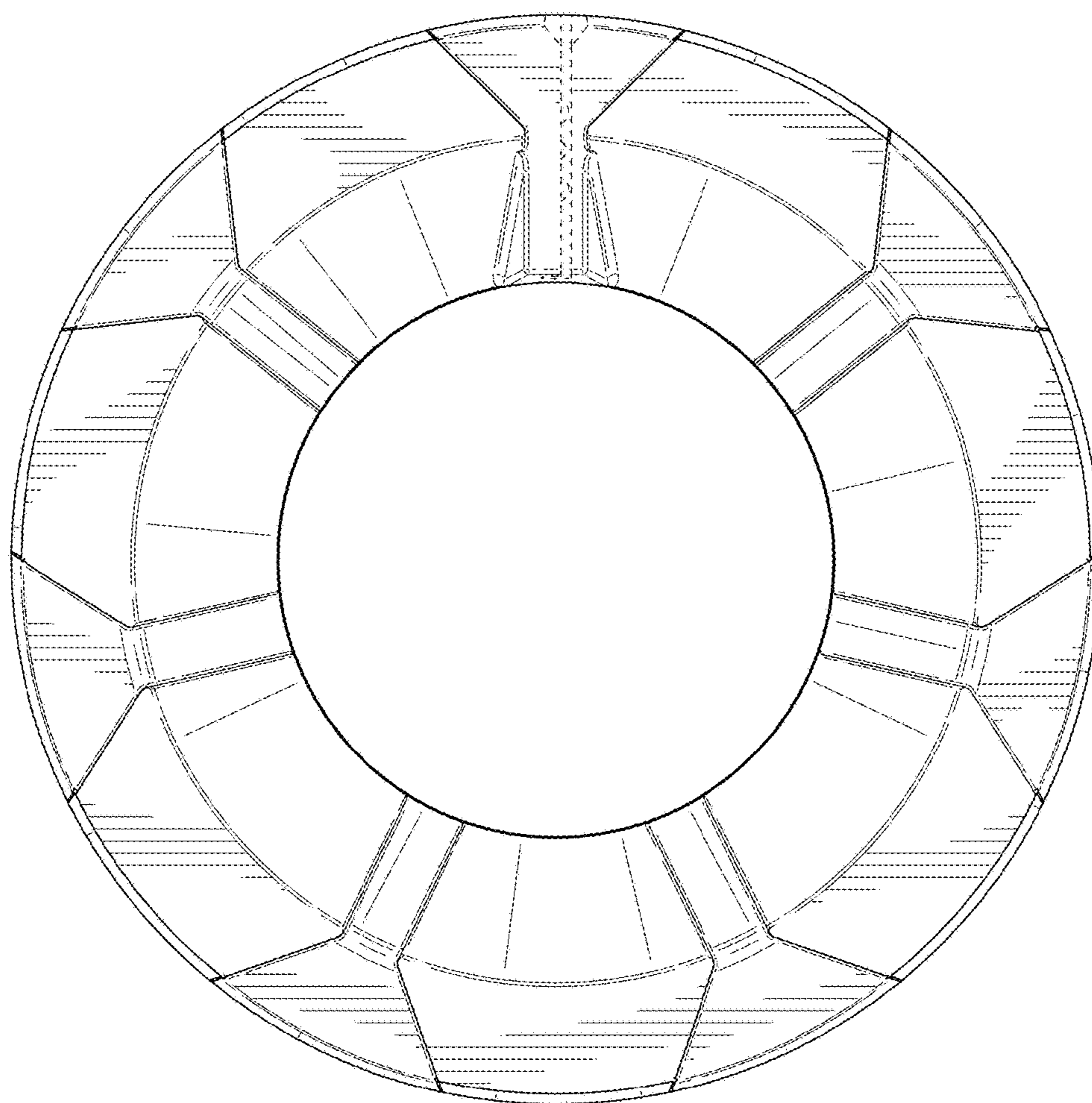


FIG. 2

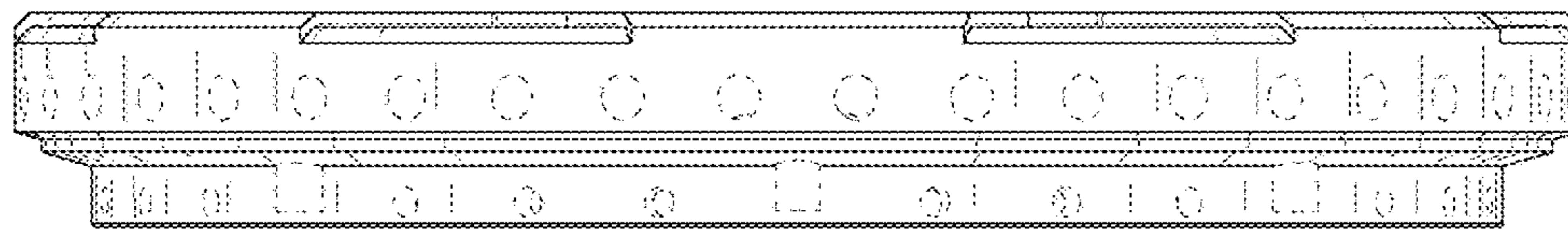


FIG. 3

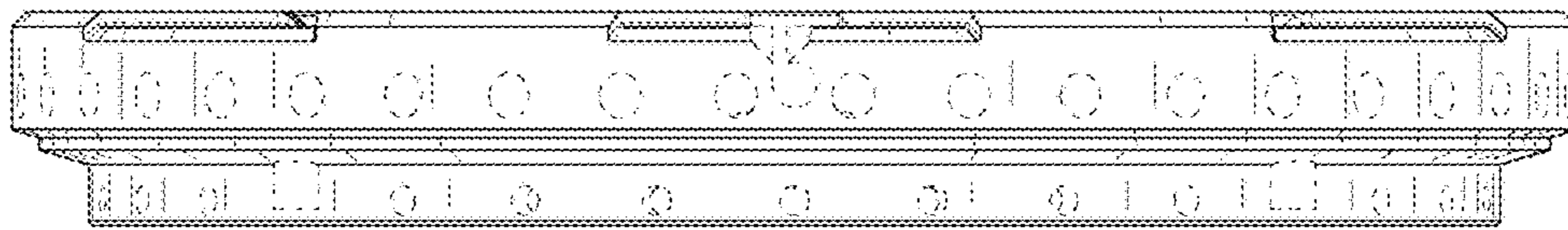


FIG. 4

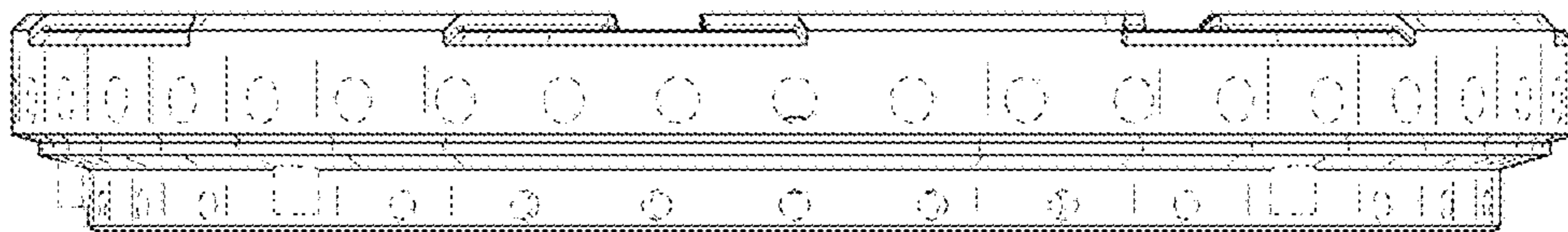


FIG. 5

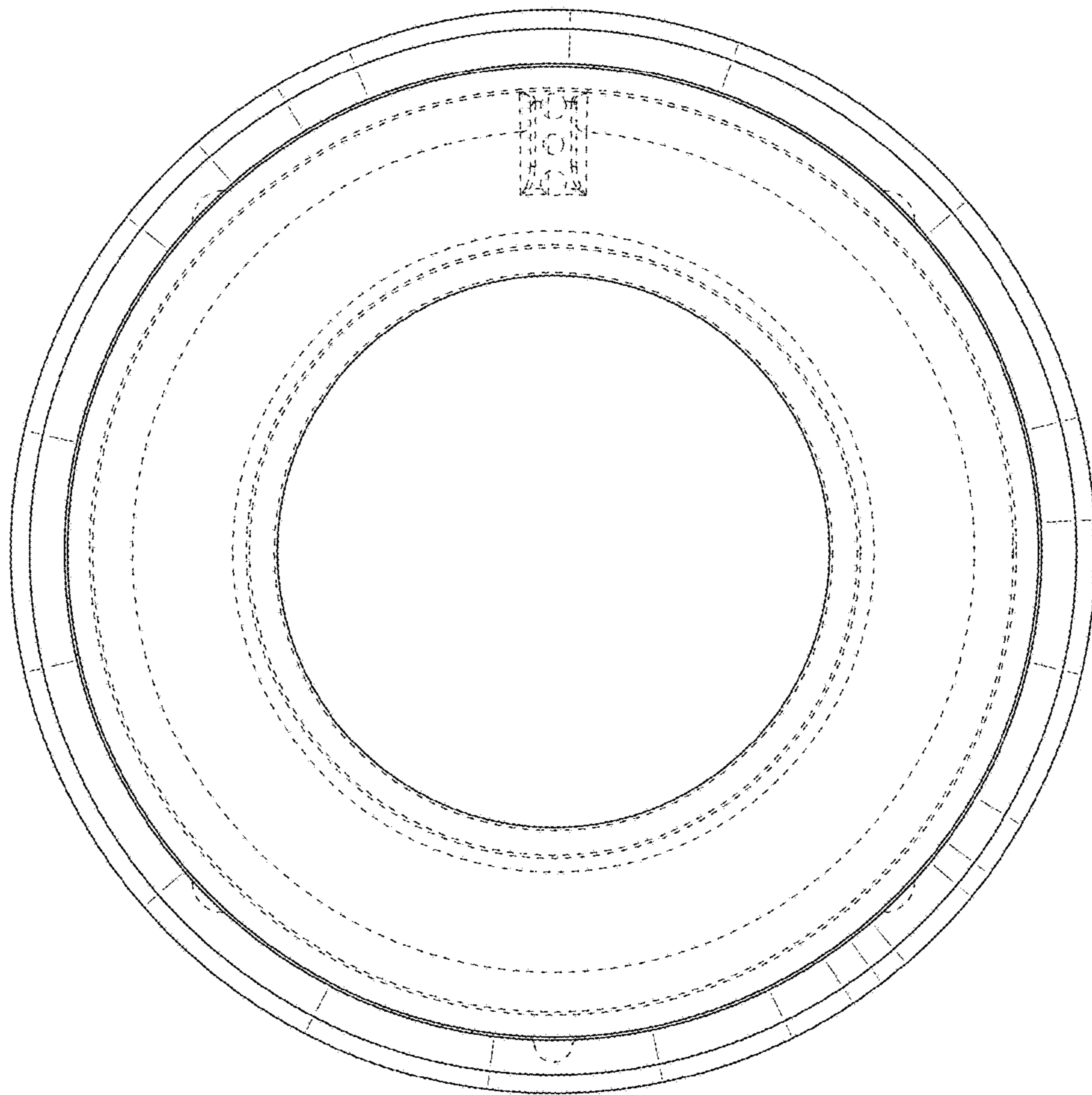


FIG. 6

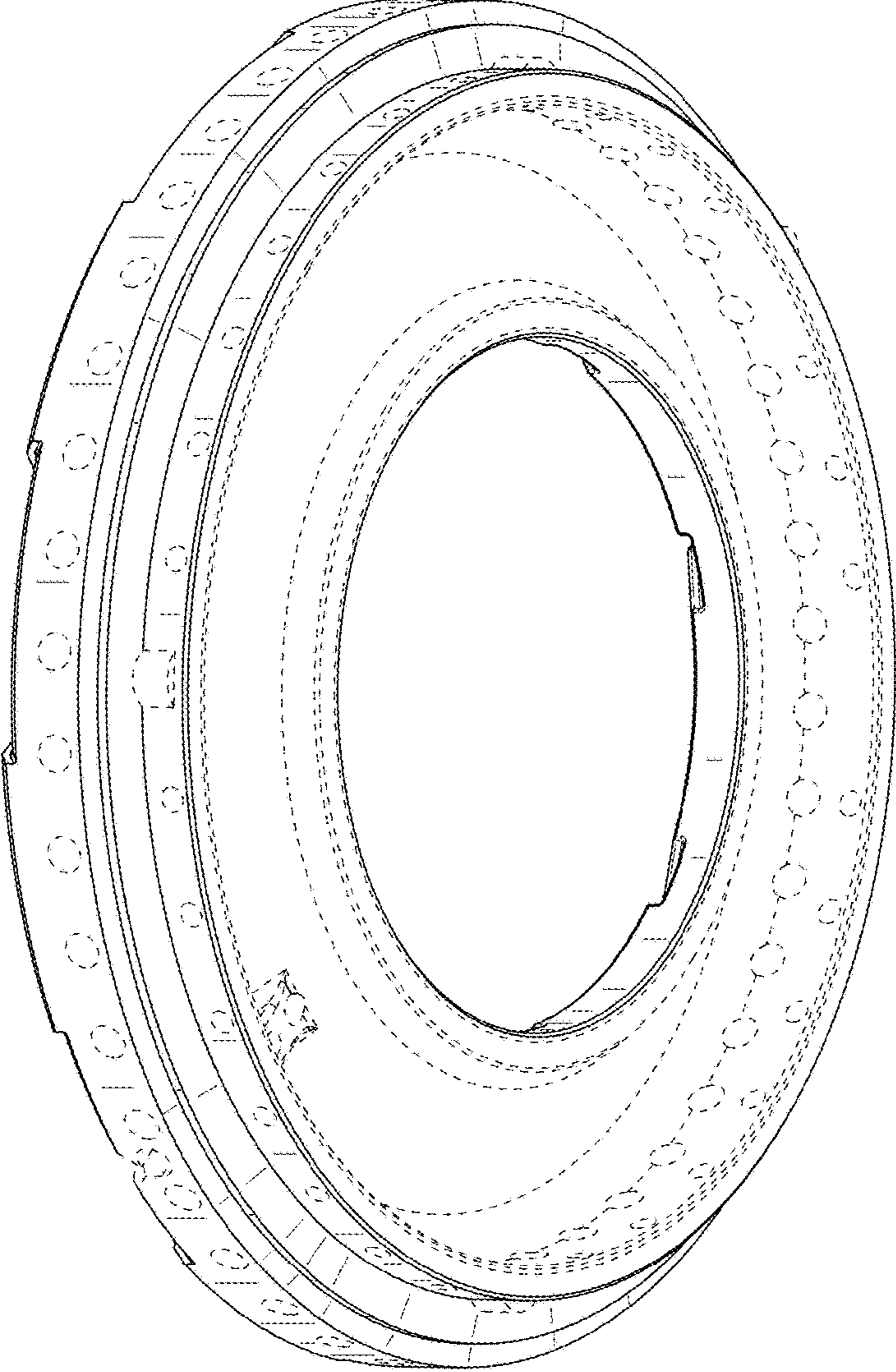


FIG. 7