



US00D859072S

(12) **United States Design Patent** (10) **Patent No.:** **US D859,072 S**
Nilssen (45) **Date of Patent:** **** Sep. 10, 2019**

(54) **OVEN FRONT DOOR AND PANEL**

D651,036 S * 12/2011 Kim D7/349
D653,071 S * 1/2012 Kim D7/349
D696,069 S * 12/2013 Roberson D7/405
D790,916 S * 7/2017 Kim D7/406
D809,865 S * 2/2018 Nilssen D7/406

(71) Applicant: **Hestan Commercial Corporation,**
Anaheim, CA (US)

(72) Inventor: **Raymond Nilssen,** Fairhope, AL (US)

* cited by examiner

(73) Assignee: **Hestan Commercial Corporation,**
Anaheim, CA (US)

Primary Examiner — Sheryl Lane
Assistant Examiner — Nicole C Shiflet

(**) Term: **15 Years**

(74) *Attorney, Agent, or Firm* — Edward S. Sherman

(21) Appl. No.: **29/630,530**

(57) **CLAIM**

(22) Filed: **Dec. 21, 2017**

The ornamental design for an oven front door and panel, as shown and described.

(51) **LOC (12) Cl.** **07-02**

(52) **U.S. Cl.**
USPC **D7/405**

DESCRIPTION

(58) **Field of Classification Search**
USPC D7/402–407, 346–349, 323, 339–340,
D7/350.1–350.4, 351, 332
CPC H05B 1/0261; H05B 1/0263; F24C 3/00;
F24C 3/002; F24C 5/00; F24C 7/00;
F24C 15/02
See application file for complete search history.

FIG. 1 is a front perspective view of the oven front door and panel showing my new design;
FIG. 2 is a front elevation view thereof;
FIG. 3 is a right side elevation view, the left side elevation being the mirror image thereof;
FIG. 4 is a top plan view thereof;
FIG. 5 is a bottom plan view thereof;
FIG. 6 is a front perspective view of a second embodiment of the oven front door and panel showing my new design;
FIG. 7 is a front elevation view thereof;
FIG. 8 is a right side elevation view, the left side elevation being the mirror image thereof;
FIG. 9 is a top plan view thereof; and,
FIG. 10 is a bottom plan view thereof.

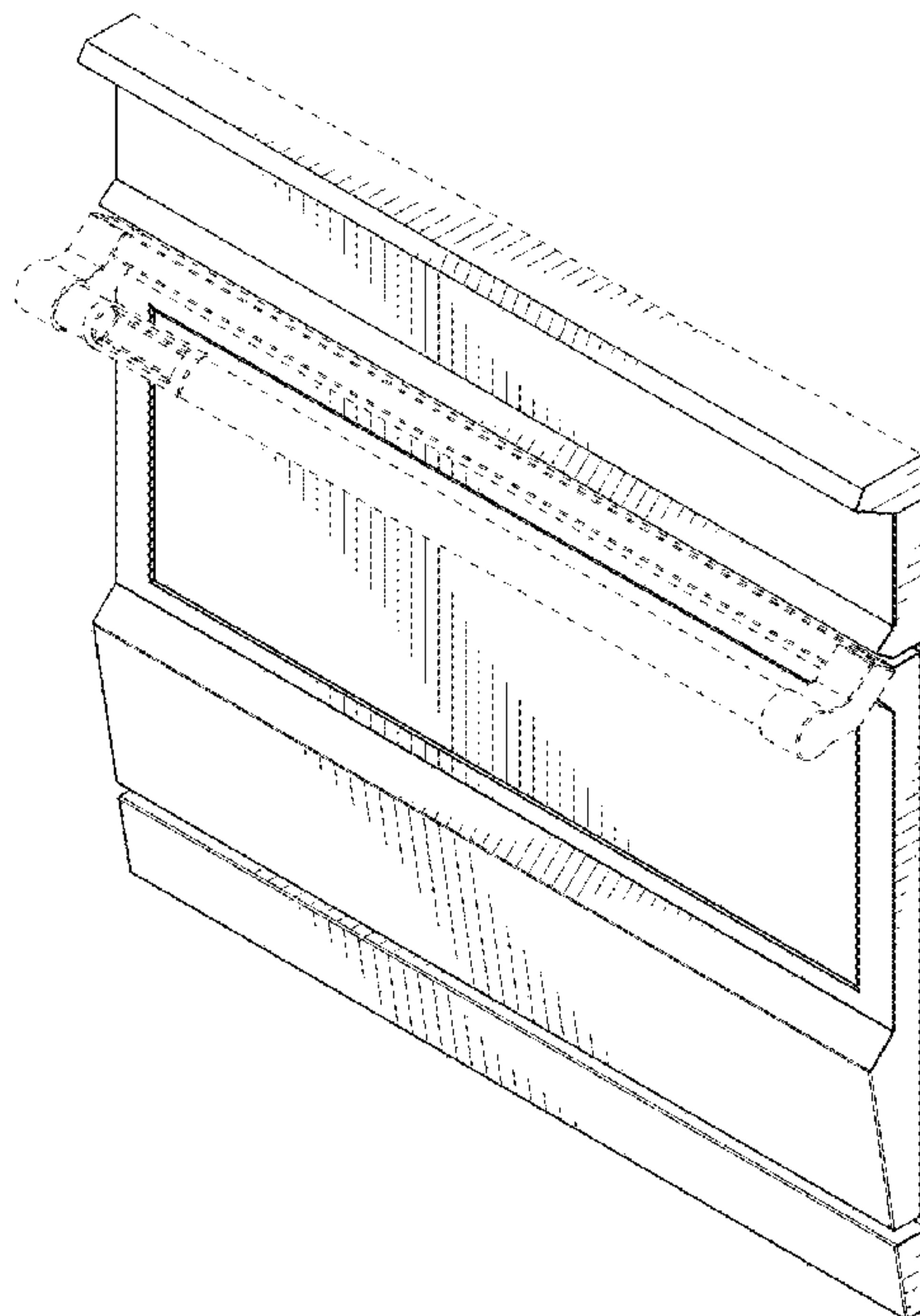
(56) **References Cited**

U.S. PATENT DOCUMENTS

D218,498 S * 8/1970 Wilson D7/339
D428,562 S * 7/2000 Russett D7/339
D561,529 S * 2/2008 Suh D7/351
D566,464 S * 4/2008 Martin D7/405
D569,686 S * 5/2008 Martin D7/405
D572,526 S * 7/2008 Martin D7/405
D646,111 S * 10/2011 Kim D7/348

The broken lines in FIGS. 1-10 showing portions of the article form no part of the claimed design.

1 Claim, 8 Drawing Sheets



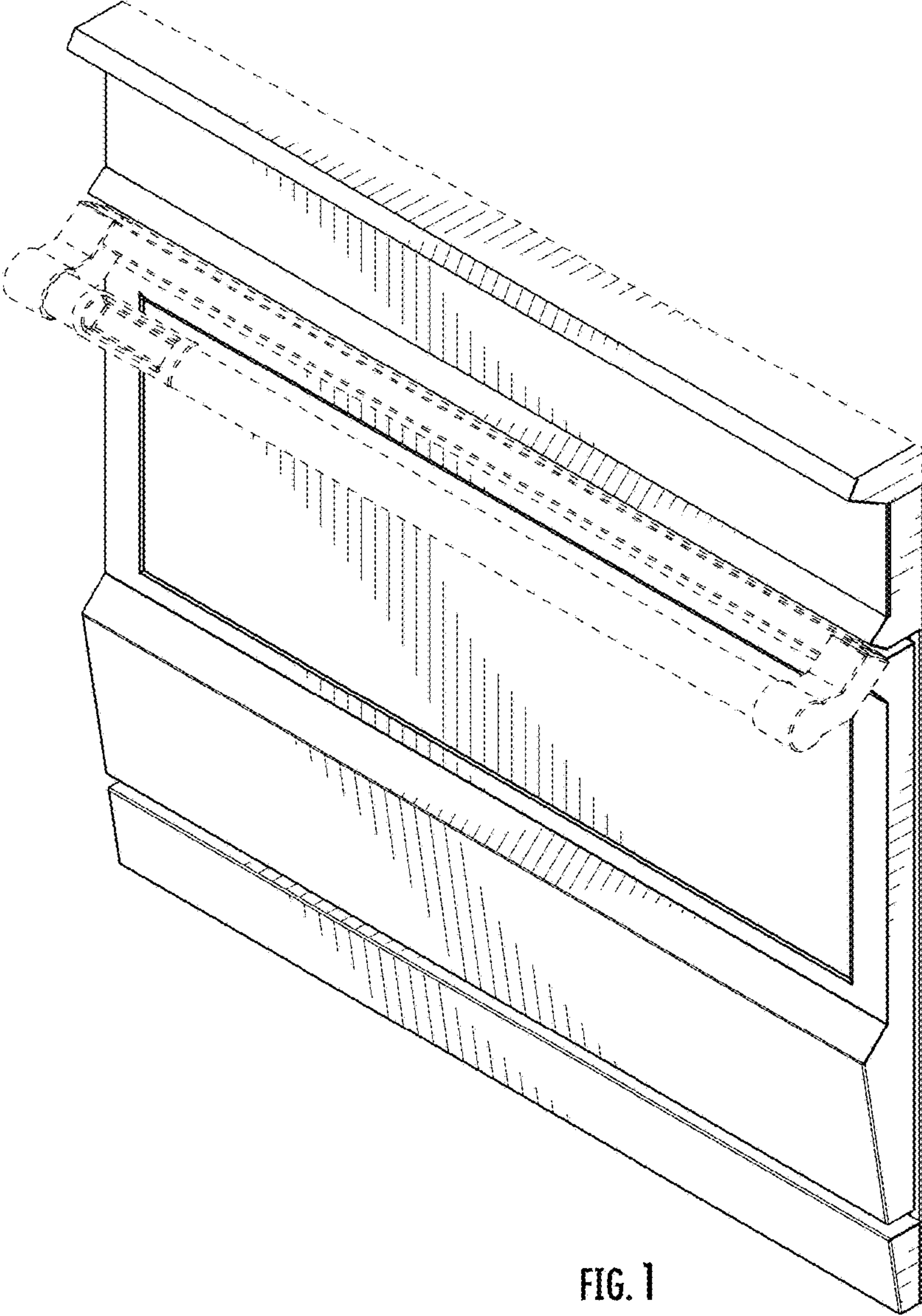


FIG. 1

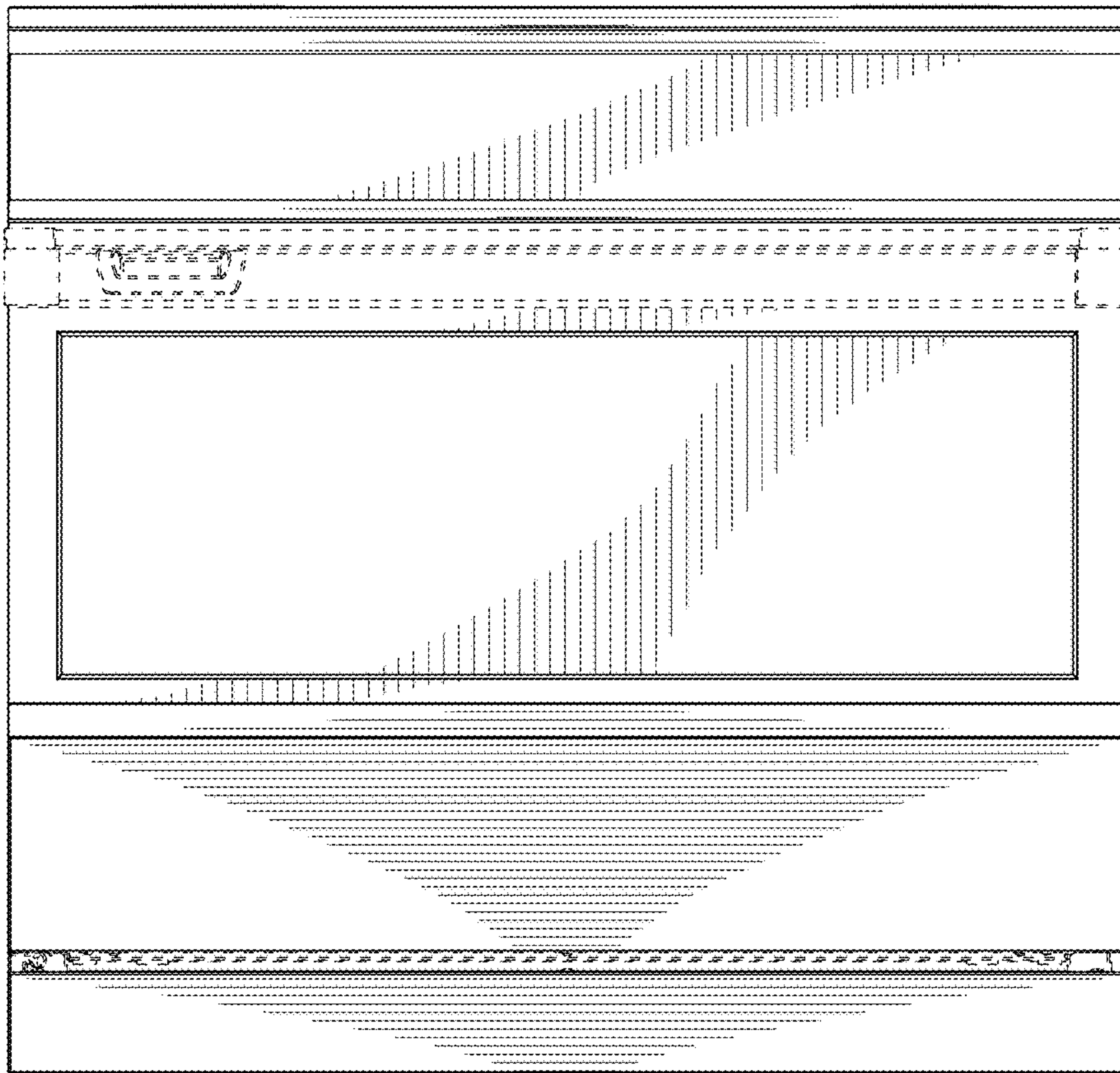


FIG. 2

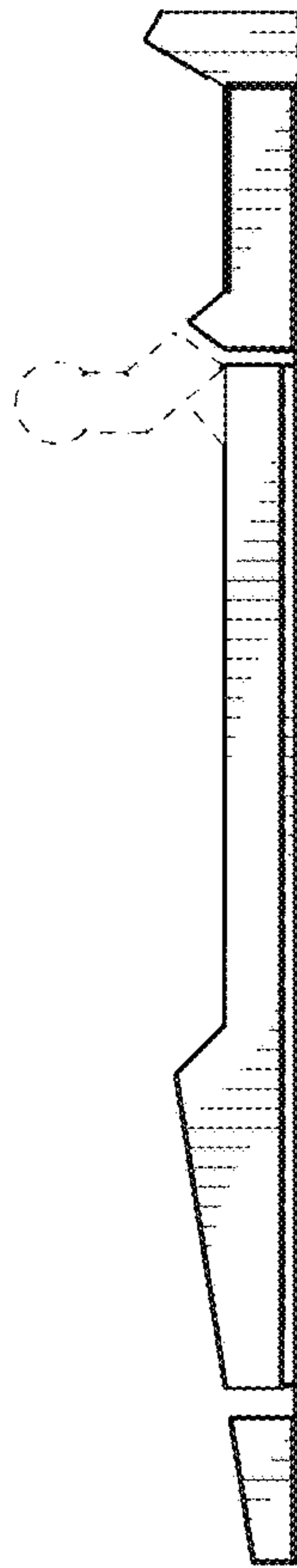


FIG. 3

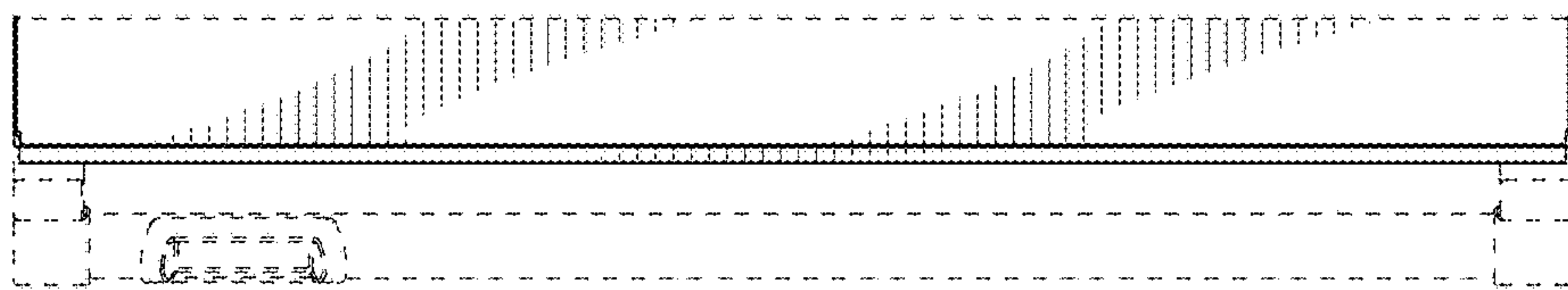


FIG. 4

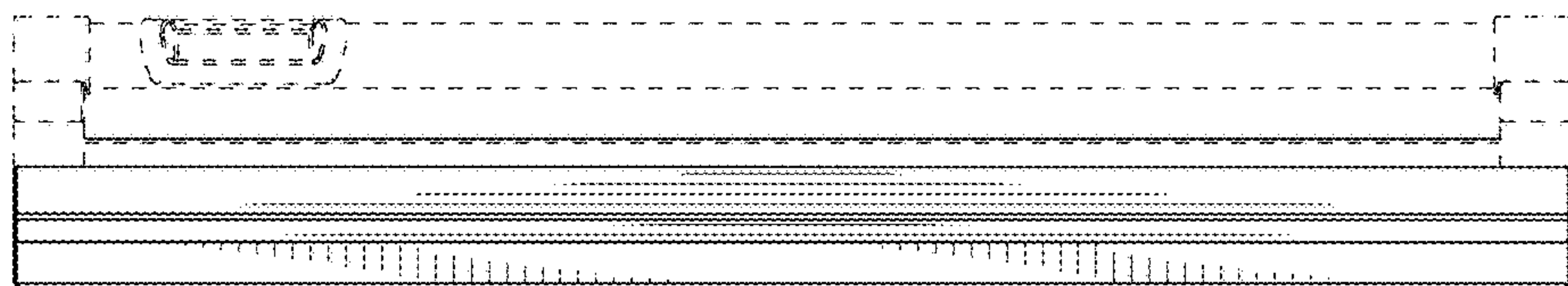


FIG. 5

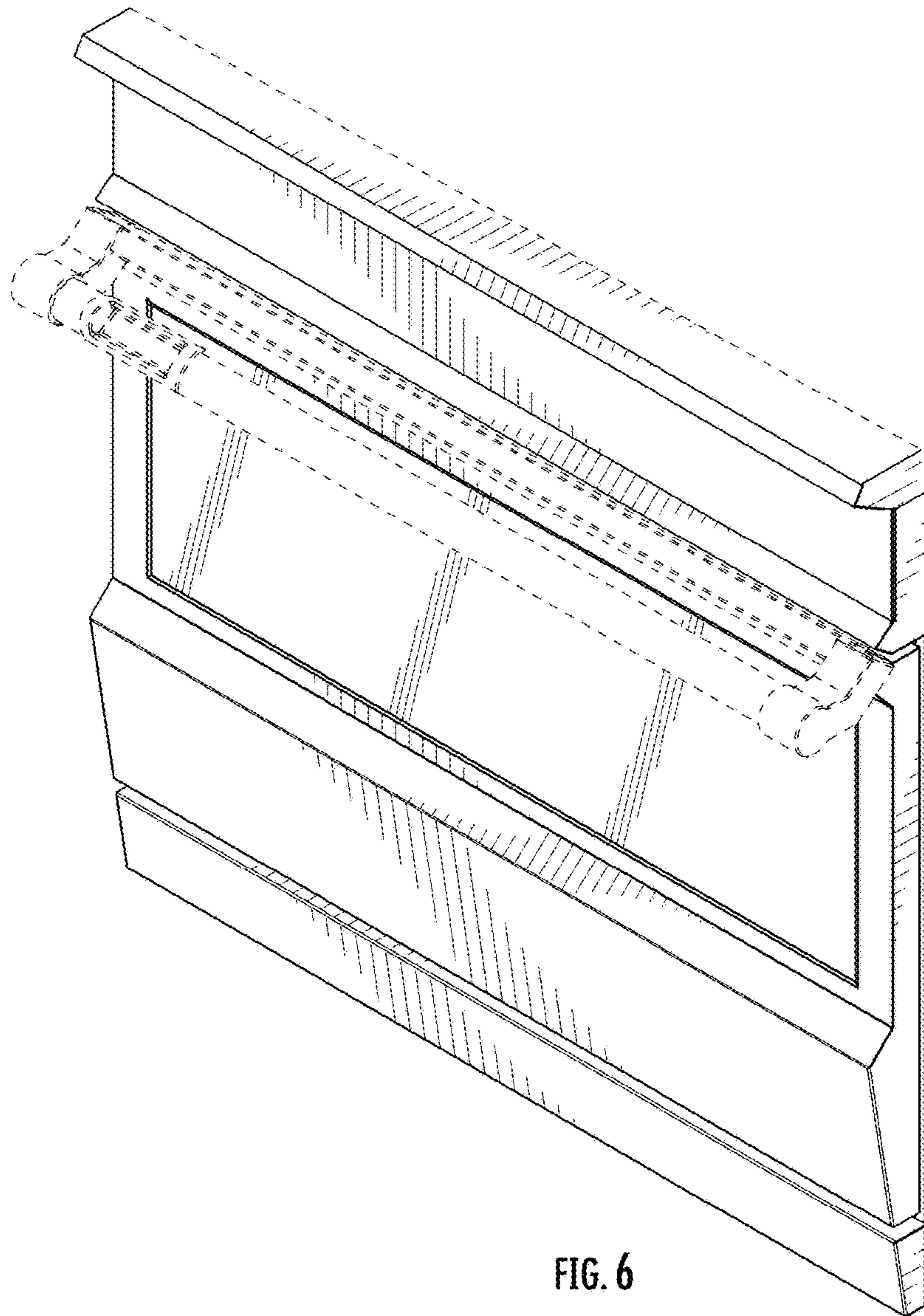


FIG. 6

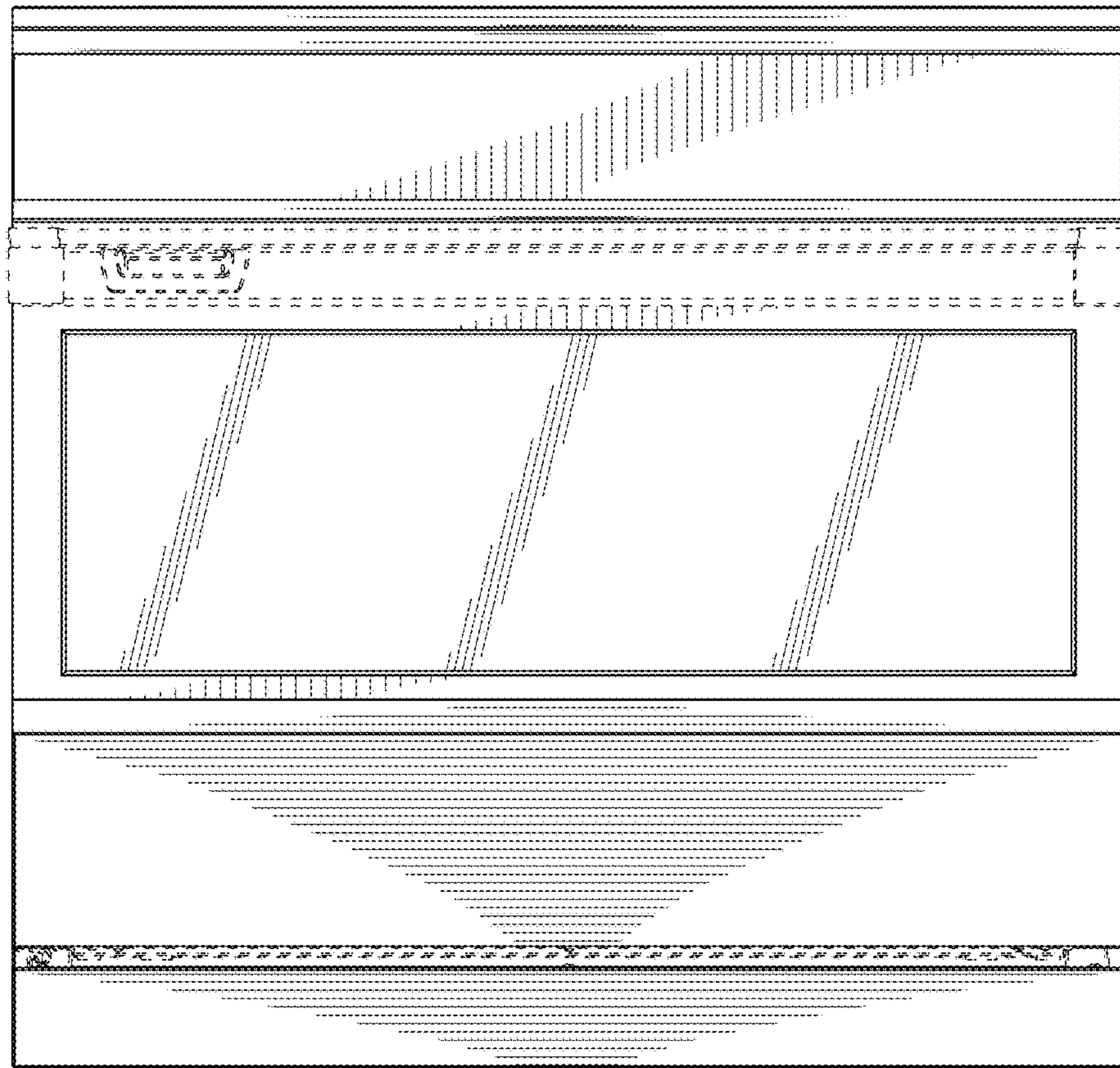


FIG. 7

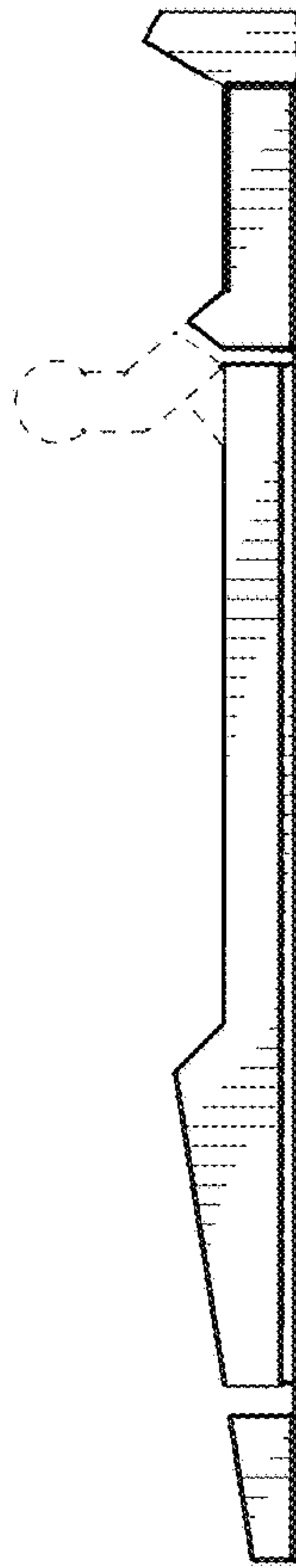


FIG. 8

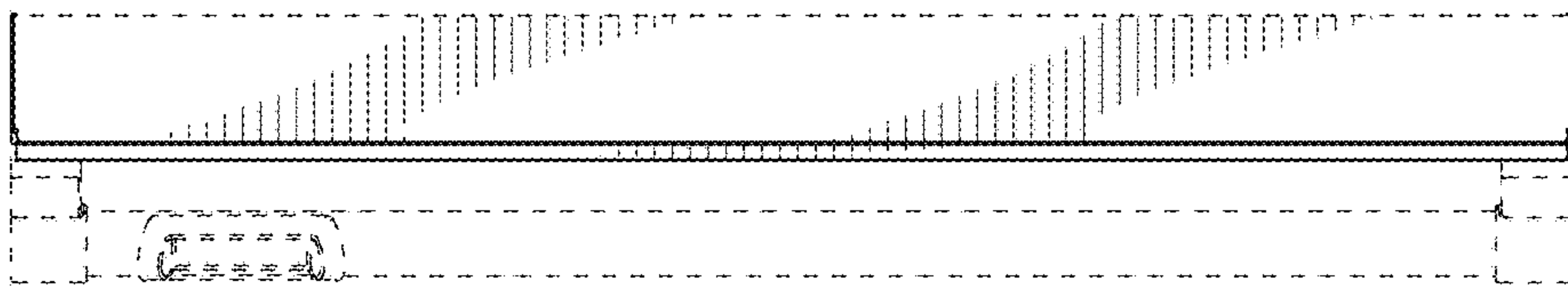


FIG. 9

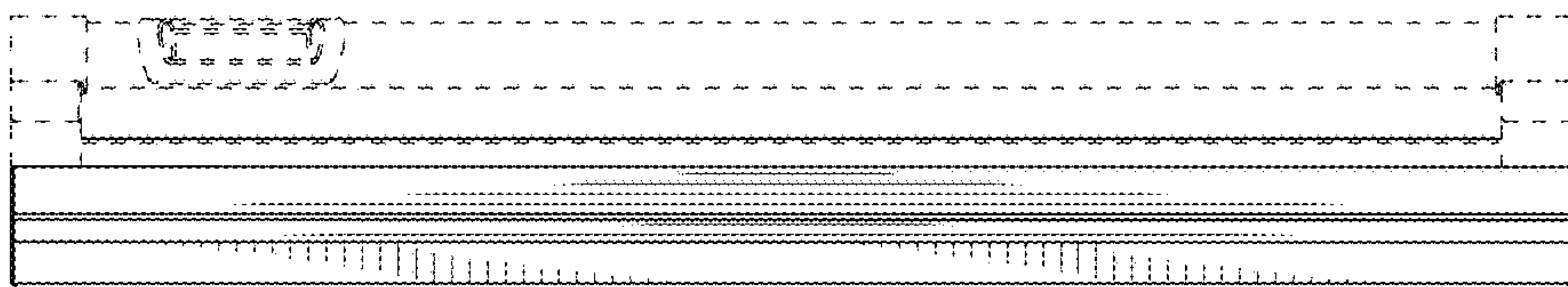


FIG. 10