



US00D859071S

(12) **United States Design Patent**
Chavez et al.

(10) **Patent No.:** **US D859,071 S**

(45) **Date of Patent:** **** Sep. 10, 2019**

(54) **RANGE**

(71) Applicants: **BSH Home Appliances Corporation**,
Irvine, CA (US); **BSH Hausgeräte**
GmbH, Munich (DE)

(72) Inventors: **David Chavez**, San Francisco, CA
(US); **Graham Sadtler**, Huntington
Beach, CA (US)

(73) Assignees: **BSH Home Appliances Corporation**,
Irvine, CA (US); **BSH Hausgeräte**
GmbH, Munich (DE)

(**) Term: **15 Years**

(21) Appl. No.: **29/596,374**

(22) Filed: **Mar. 8, 2017**

(51) **LOC (12) Cl.** **07-02**

(52) **U.S. Cl.**
USPC **D7/405**

(58) **Field of Classification Search**
USPC D7/402, 405, 406, 323, 339-340,
D7/346-349, 350.1, 350.2, 350.3, 350.4,
D7/351, 332, 407, 354, 334; D8/382,
D8/339, 377; D25/124, 126, 119
CPC .. H05B 1/0261; H05B 1/0263; H05B 1/0266;
F24C 3/008; F24C 5/00; F24C 7/00;
F24C 15/024; F24C 15/02
See application file for complete search history.

(56) **References Cited**

U.S. PATENT DOCUMENTS

D609,966 S *	2/2010	Bengtson	D7/405
D615,344 S *	5/2010	Grey	D7/340
D615,800 S *	5/2010	Grey	D7/340
D616,695 S *	6/2010	Grey	D7/340
D617,133 S *	6/2010	Grey	D7/340
D656,776 S *	4/2012	Funnell, II	D7/340
D668,105 S *	10/2012	Funnell, II	D7/405

D669,728 S *	10/2012	Funnell, II	D7/340
D669,729 S *	10/2012	Funnell, II	D7/340
D682,602 S *	5/2013	Funnell, II	D7/340
D682,603 S *	5/2013	Funnell, II	D7/340
D699,503 S *	2/2014	Funnell, II	D7/340
D701,074 S *	3/2014	Funnell, II	D7/340
D721,917 S *	2/2015	Funnell, II	D7/405
D721,919 S *	2/2015	Funnell, II	D7/406
D742,688 S *	11/2015	Funnell, II	D7/405
D750,432 S *	3/2016	Funnell, II	D7/406
D760,024 S *	6/2016	Funnell, II	D7/405
D763,616 S *	8/2016	Kim	D7/339
D764,853 S *	8/2016	Kim	D7/339
D790,273 S *	6/2017	Vergin	D7/406
D798,100 S *	9/2017	Chavez	D7/340

(Continued)

Primary Examiner — Sheryl Lane

Assistant Examiner — Nicole C Shiflet

(74) *Attorney, Agent, or Firm* — Michael E. Tschupp

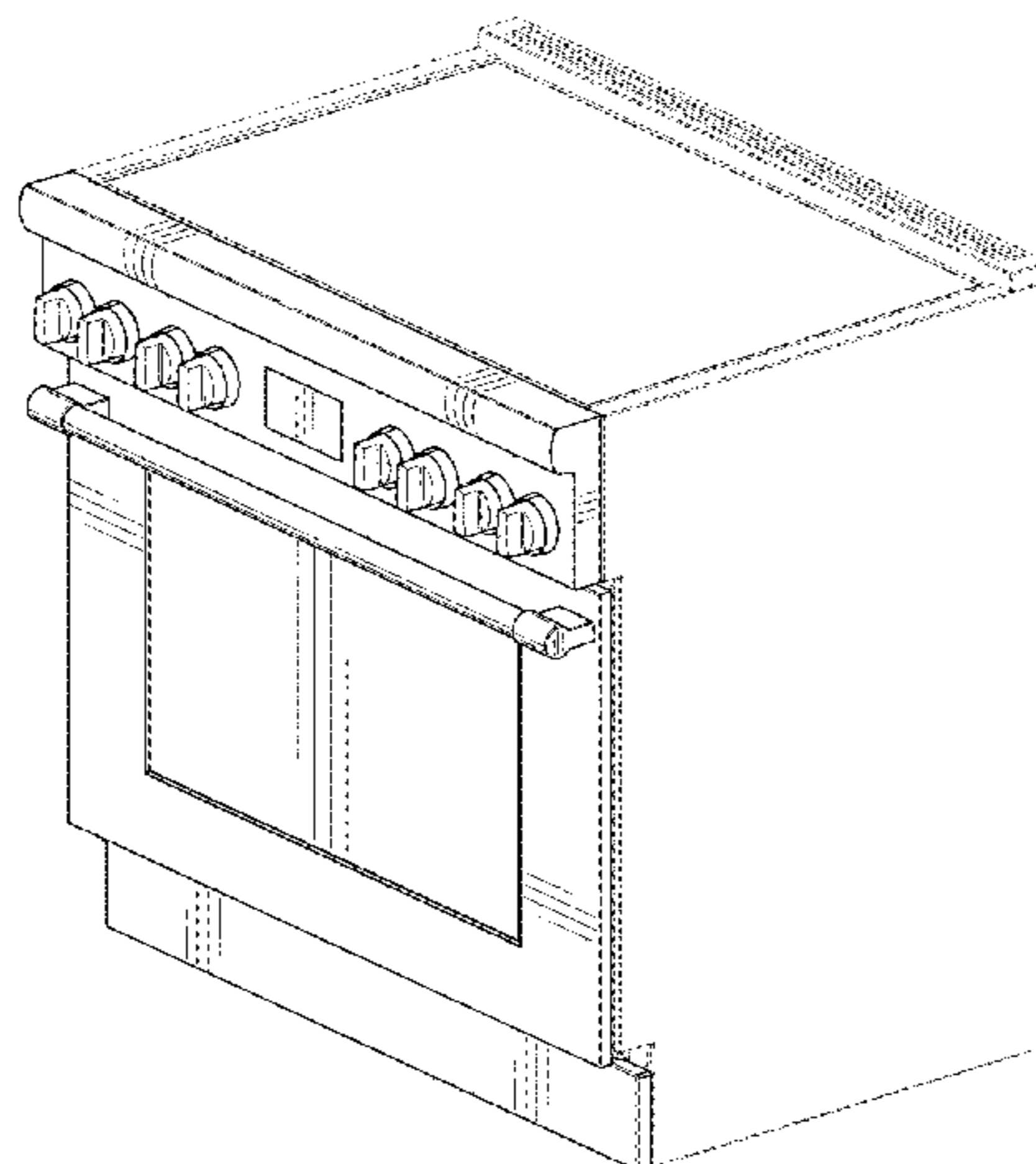
(57) **CLAIM**

We claim the ornamental design for a range, as shown and described.

DESCRIPTION

FIG. 1 is an isometric; view of a range, showing our new design;
FIG. 2 is a front elevational view thereof;
FIG. 3 is a rear elevational view thereof;
FIG. 4 is a left side elevational view thereof;
FIG. 5 is a right side elevational view thereof;
FIG. 6 is a top plan view thereof; and,
FIG. 7 is a bottom plan view thereof.
Broken lines are for illustrating unclaimed portions of the range and/or for illustrating an environment related to the claimed design; the broken lines form no part of the claimed design. The dot-dot broken lines showing portions of the article form no part of the claimed design. The dot-dot-dash broken lines showing portions of the article form no part of the claimed design.

1 Claim, 7 Drawing Sheets



(56)

References Cited

U.S. PATENT DOCUMENTS

D798,648 S * 10/2017 Chavez D7/340
D808,705 S * 1/2018 Kim D7/340
D808,706 S * 1/2018 Kim D7/340
D808,707 S * 1/2018 Kim D7/340
D817,686 S * 5/2018 Chavez D7/340
9,958,166 B2 * 5/2018 Braden F24C 15/022
2013/0318874 A1 * 12/2013 DeLozier E06B 5/00
49/260
2013/0319393 A1 * 12/2013 Harward F24C 15/04
126/190
2016/0327283 A1 * 11/2016 Lee F24C 3/124

* cited by examiner

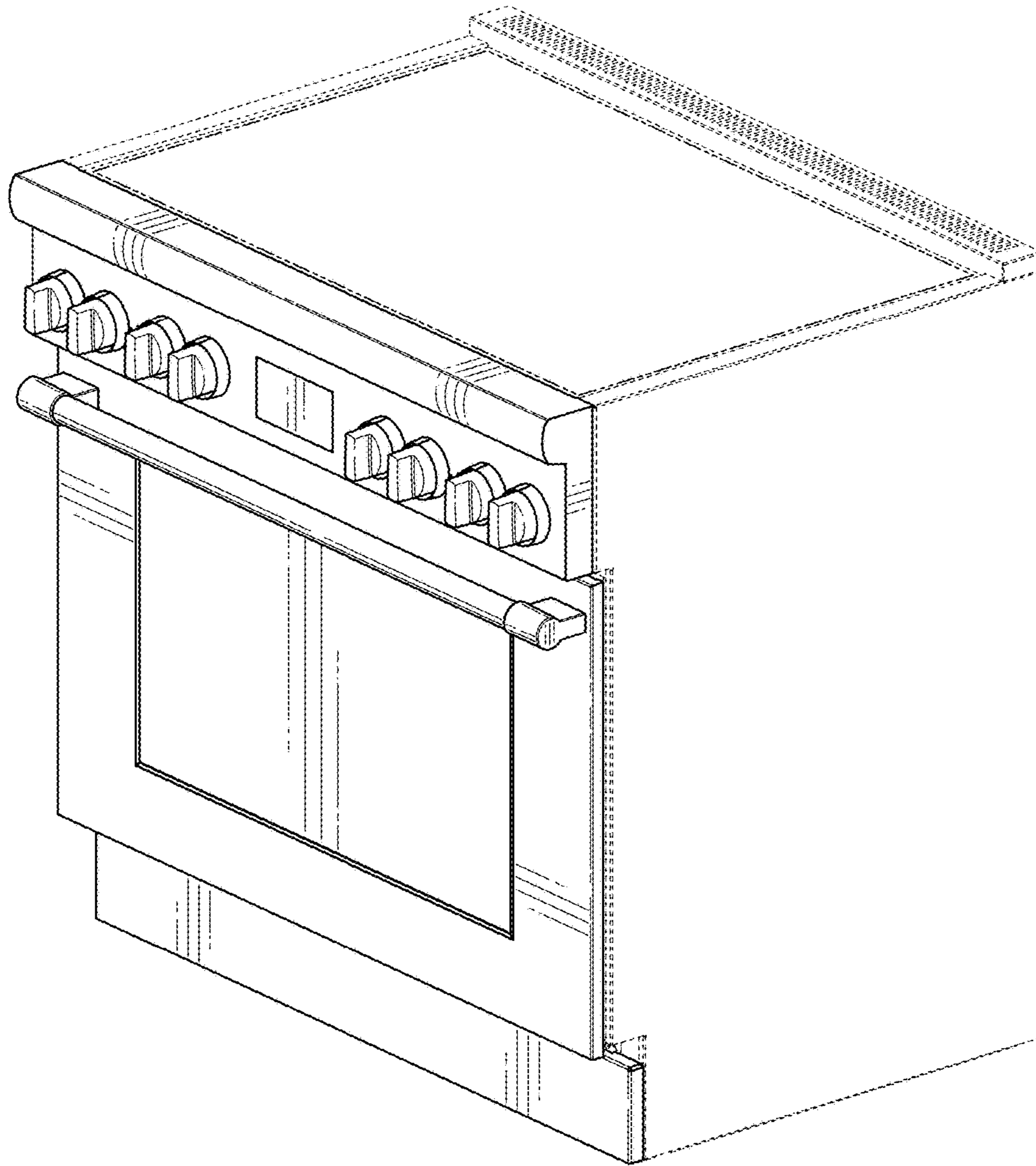


FIG. 1

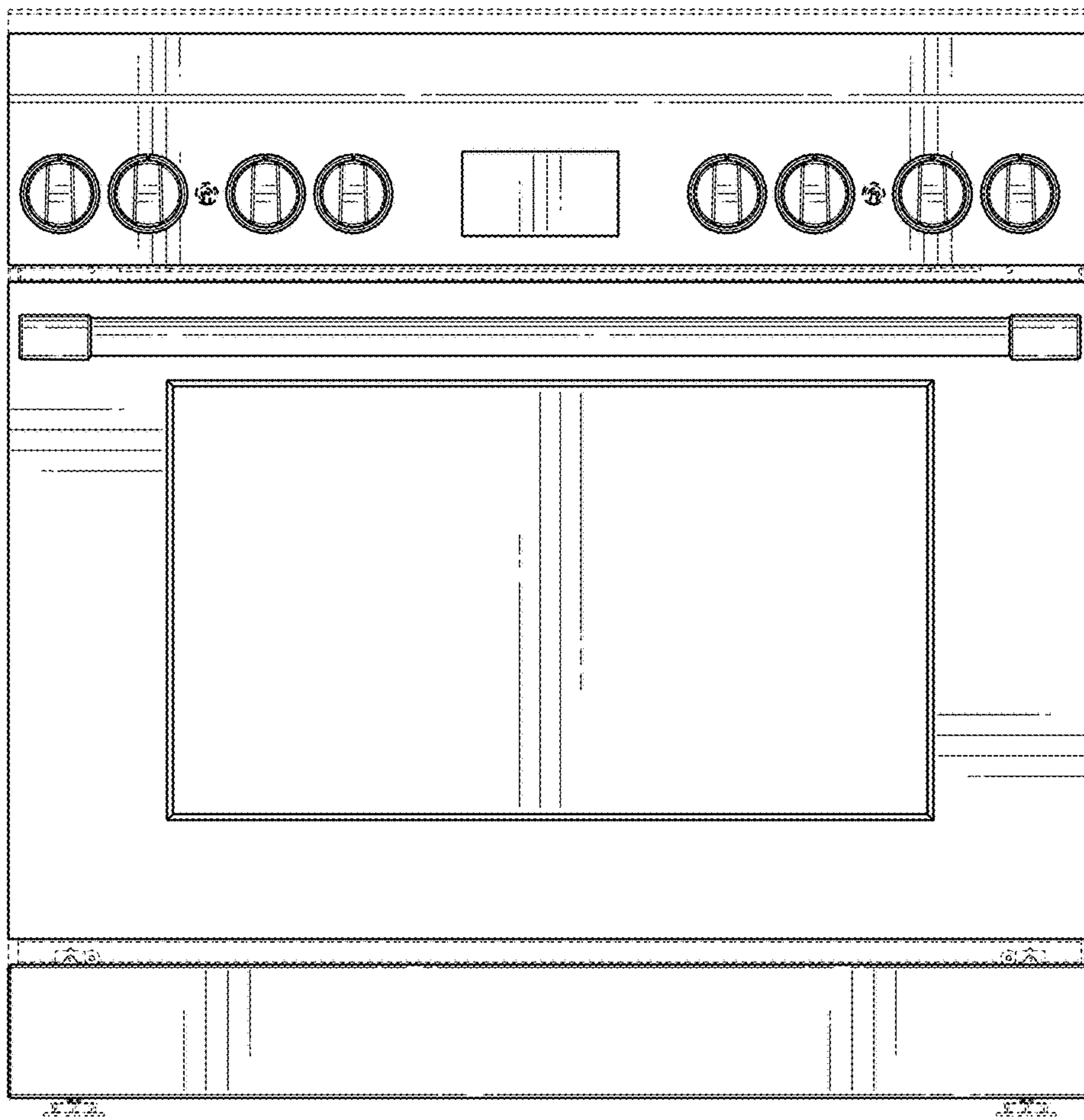


FIG. 2

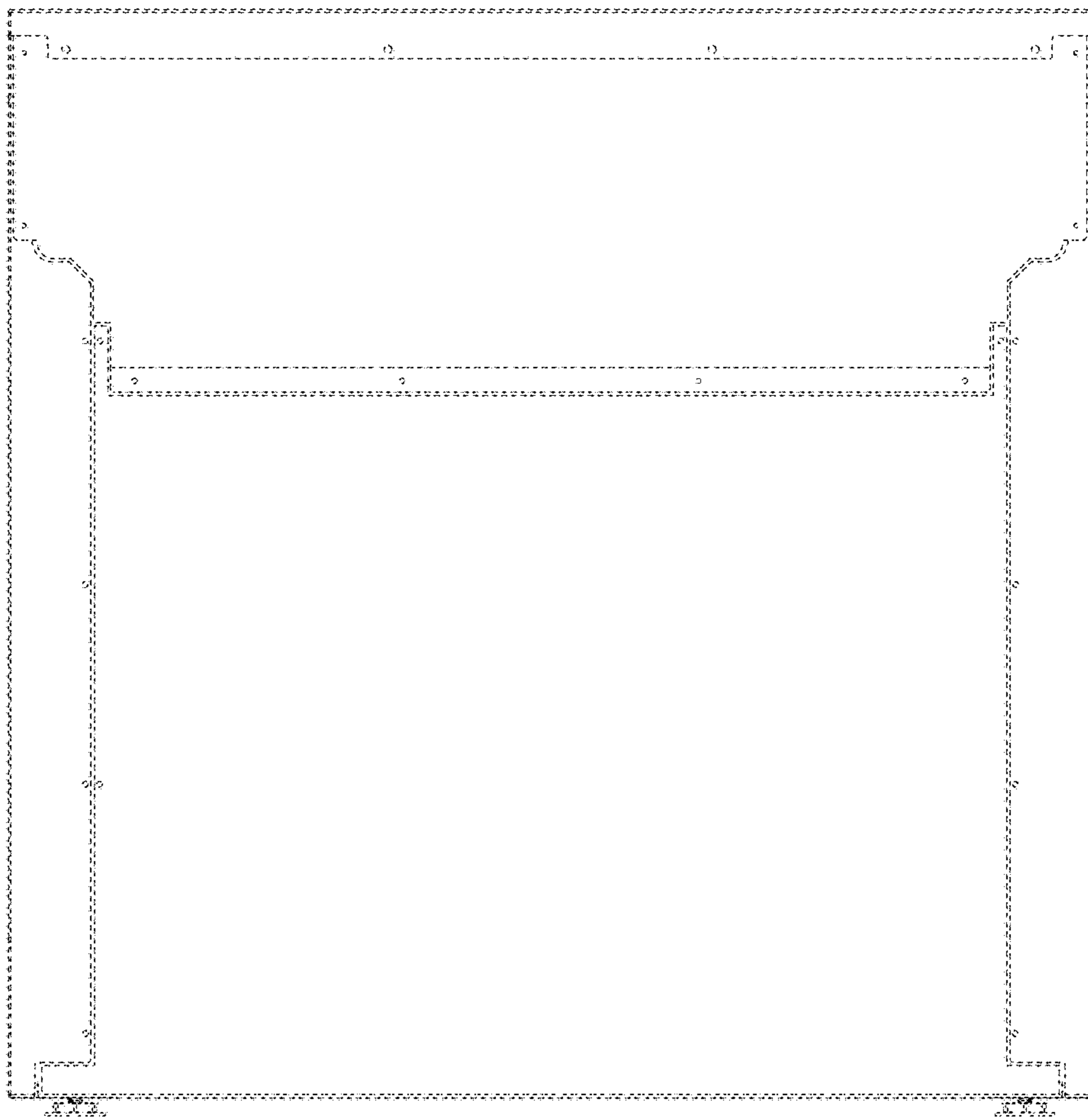


FIG. 3

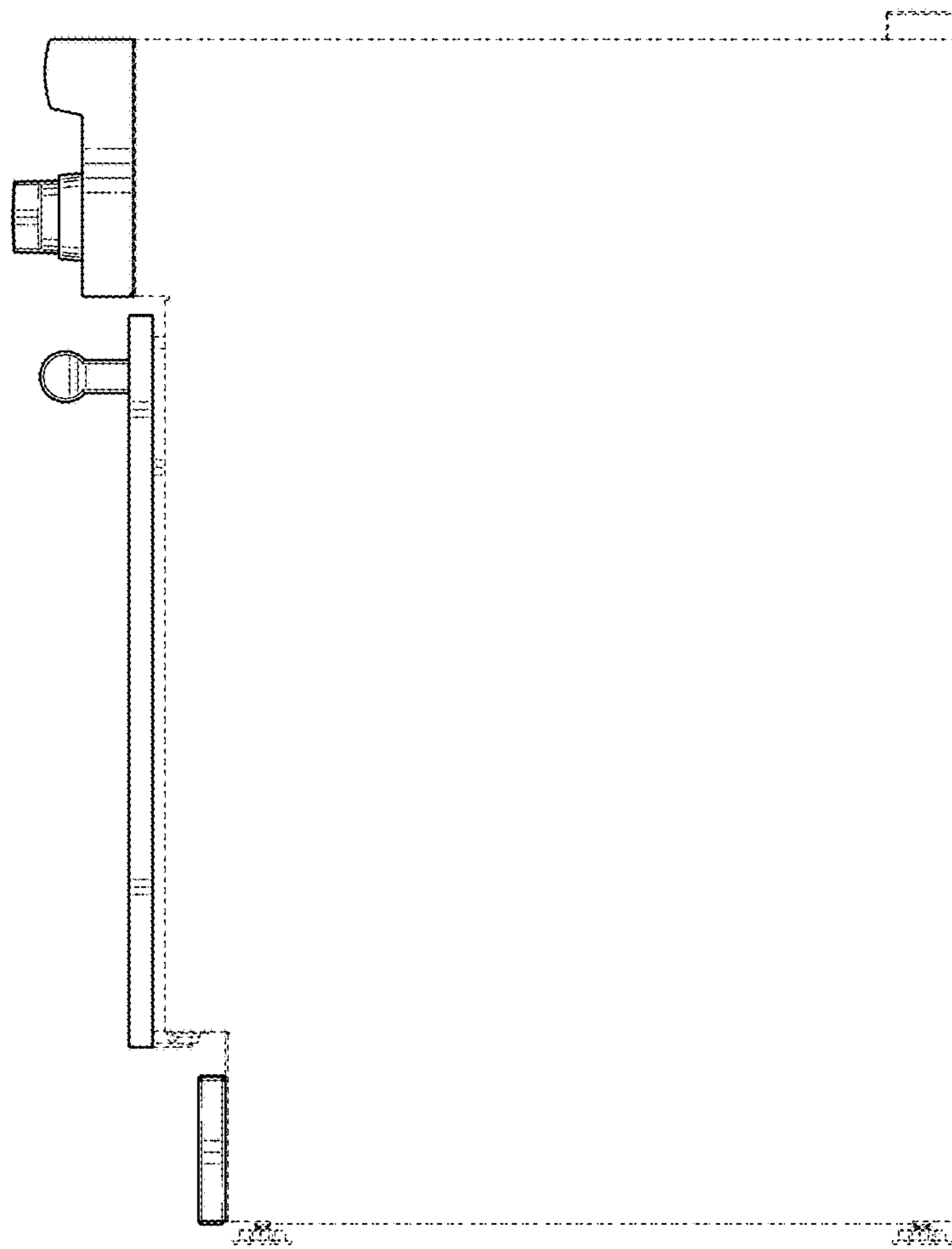


FIG. 4

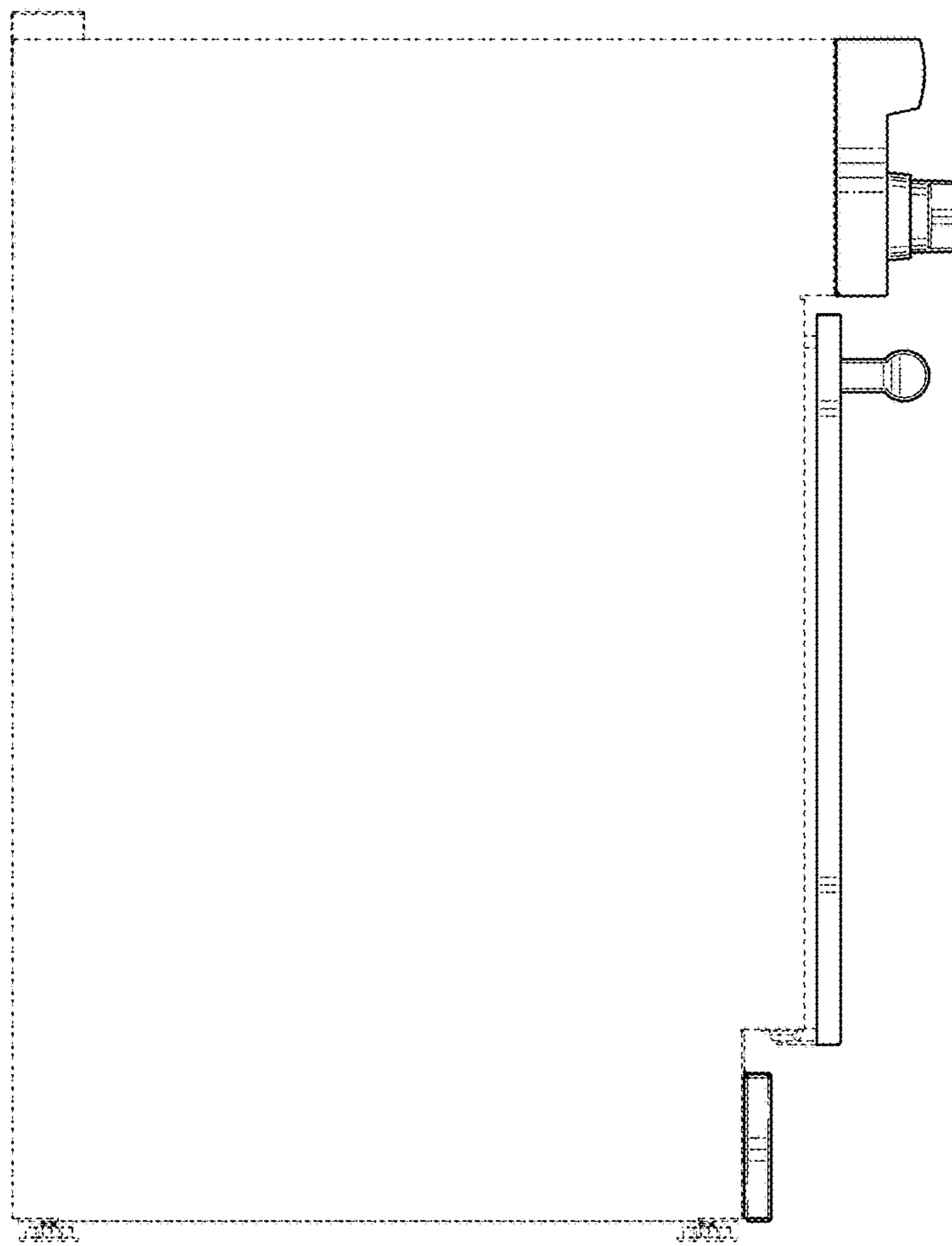


FIG. 5

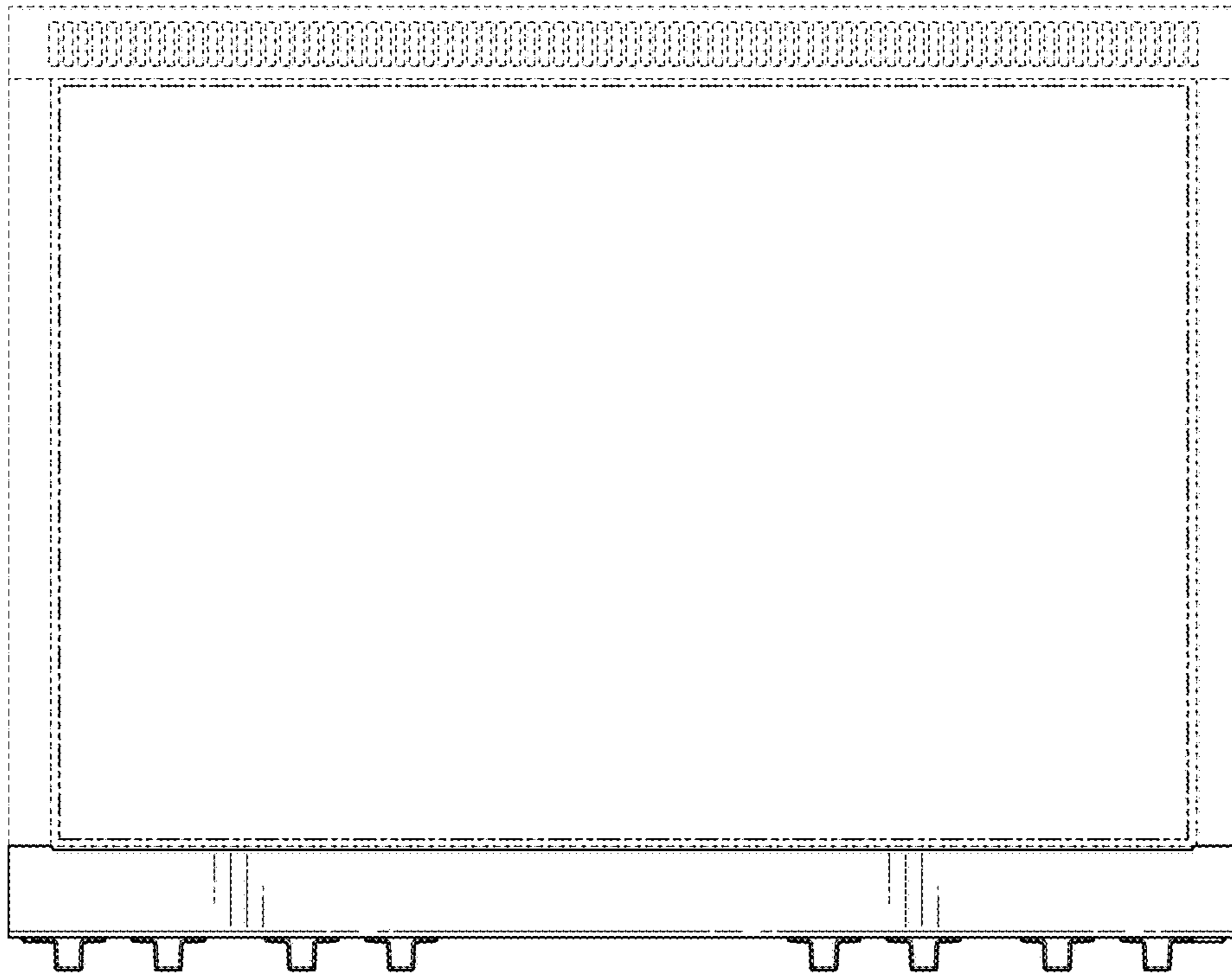


FIG. 6

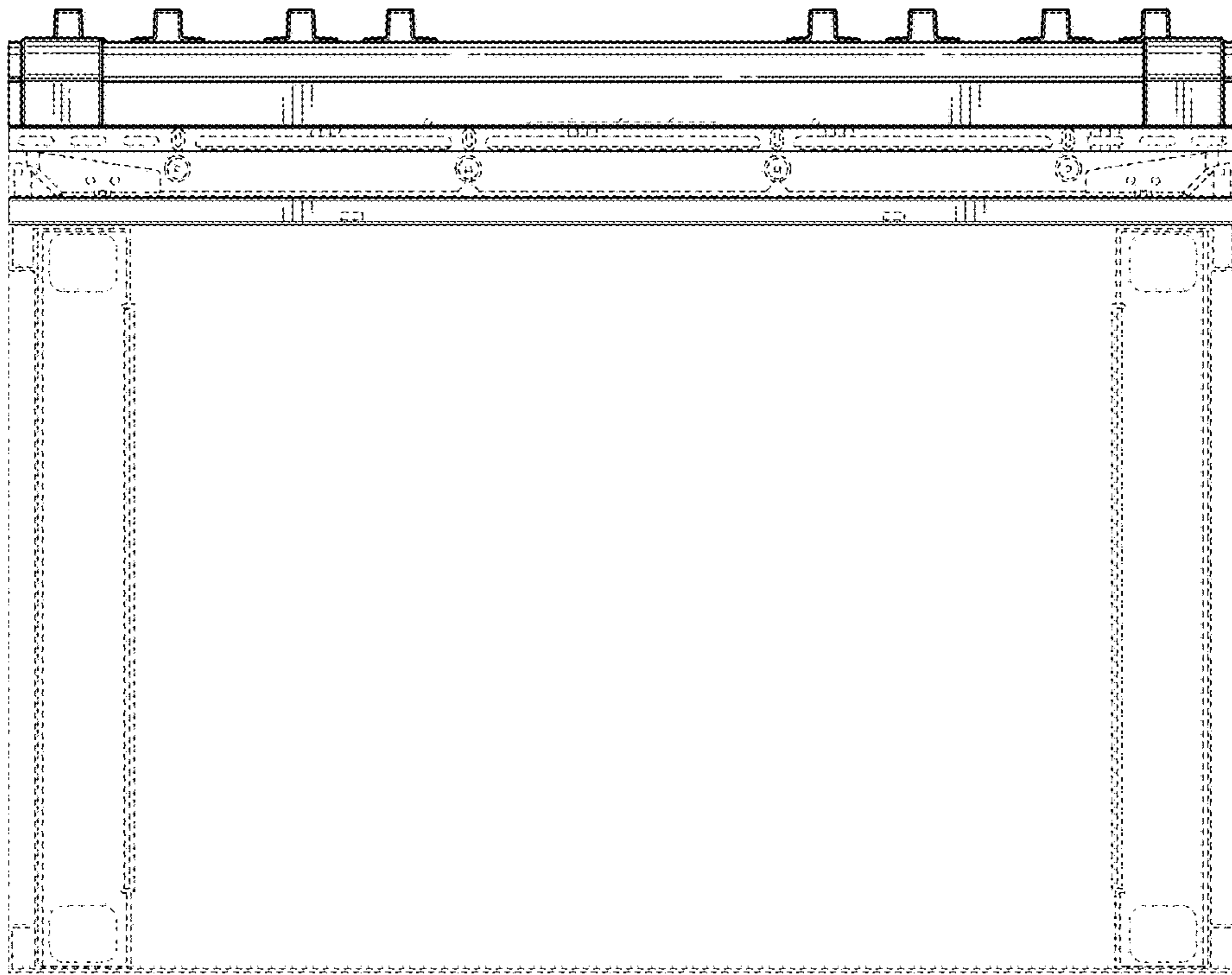


FIG. 7