



US00D859070S

(12) **United States Design Patent**
Biesinger et al.

(10) **Patent No.:** **US D859,070 S**

(45) **Date of Patent:** **** Sep. 10, 2019**

(54) **FRUIT CUP INFUSER**

(71) Applicant: **MUNCHKIN, INC.**, Van Nuys, CA (US)

(72) Inventors: **Quinn Michael Biesinger**, Los Angeles, CA (US); **Thomas E Birkert**, West Hills, CA (US); **Mark Gerard Tebbe**, Ventura, CA (US)

(73) Assignee: **Munchkin, Inc.**, Van Nuys, CA (US)

(**) Term: **15 Years**

(21) Appl. No.: **29/617,890**

(22) Filed: **Sep. 15, 2017**

(51) **LOC (12) Cl.** **07-99**

(52) **U.S. Cl.**
USPC **D7/400**

(58) **Field of Classification Search**
USPC D7/400, 399, 397, 387, 368, 665, 678, D7/372, 300, 693, 669, 412, 413, 667
CPC A47J 19/00; A47J 19/005; A47J 19/02; A47J 19/002; A47G 19/16
See application file for complete search history.

(56) **References Cited**

U.S. PATENT DOCUMENTS

D279,157 S * 6/1985 Gecchelin D7/665
D296,288 S * 6/1988 Zimnowicz D7/665

D407,954 S * 4/1999 Lehn D7/665
7,117,784 B2 * 10/2006 de Groote A47J 17/18
99/508
8,205,544 B2 * 6/2012 Rivera A47J 19/02
99/501
D727,682 S * 4/2015 Madvin D7/397
9,949,502 B2 * 4/2018 Fouquet A23N 1/02

* cited by examiner

Primary Examiner — Derrick E Holland

Assistant Examiner — Andrew Kerr

(74) *Attorney, Agent, or Firm* — Robert Z. Evora, Esq.

(57) **CLAIM**

The ornamental design for a fruit cup infuser, as shown and described.

DESCRIPTION

FIG. 1 is an upper front perspective view of a fruit cup infuser showing a cross section of the fruit cup infuser taken in the direction of line I-I in FIG. 4;

FIG. 2 is a lower front perspective view thereof;

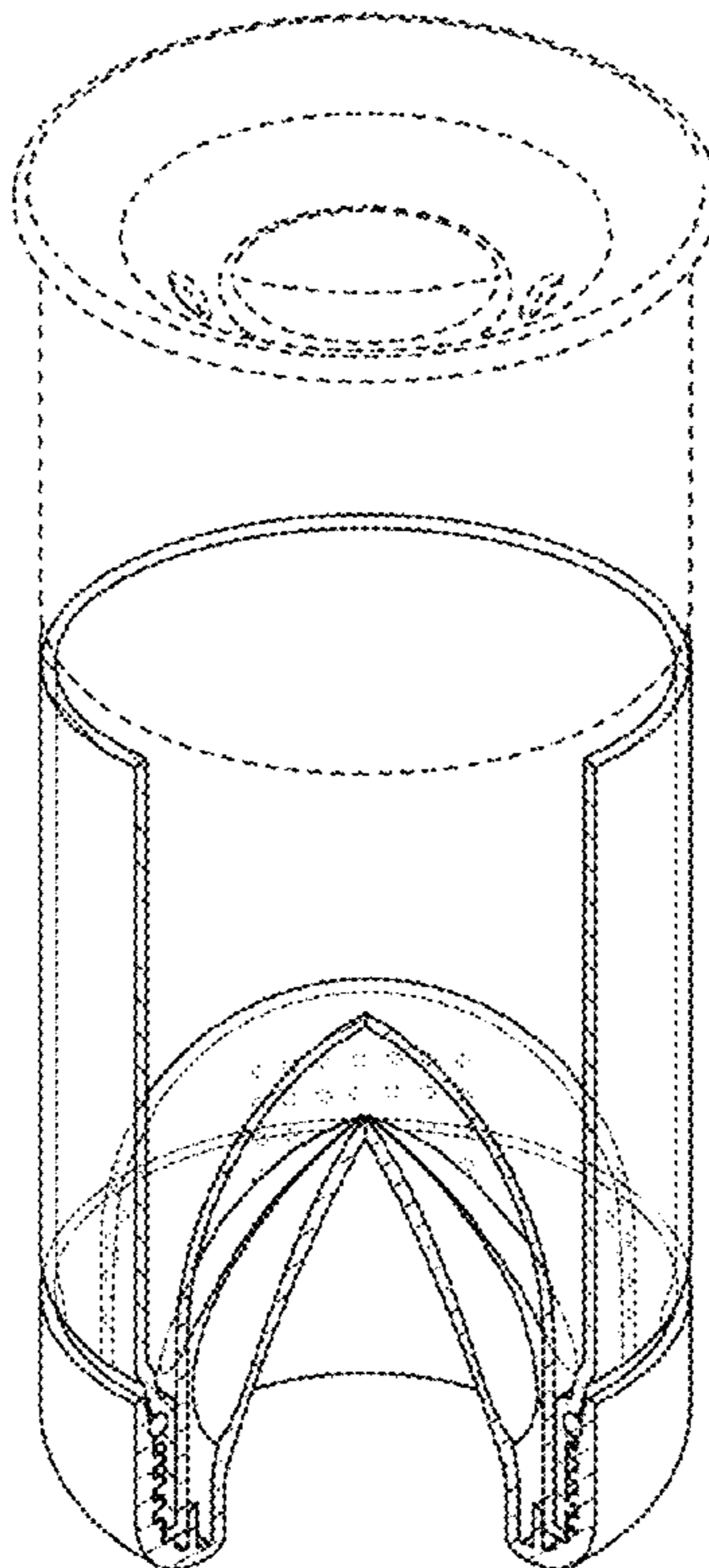
FIG. 3 is a front view thereof;

FIG. 4 is a top view thereof; and,

FIG. 5 is a bottom view thereof.

The broken lines shown in the drawings represent environmental structure in FIGS. 1-5 that form no part of the claimed design.

1 Claim, 4 Drawing Sheets



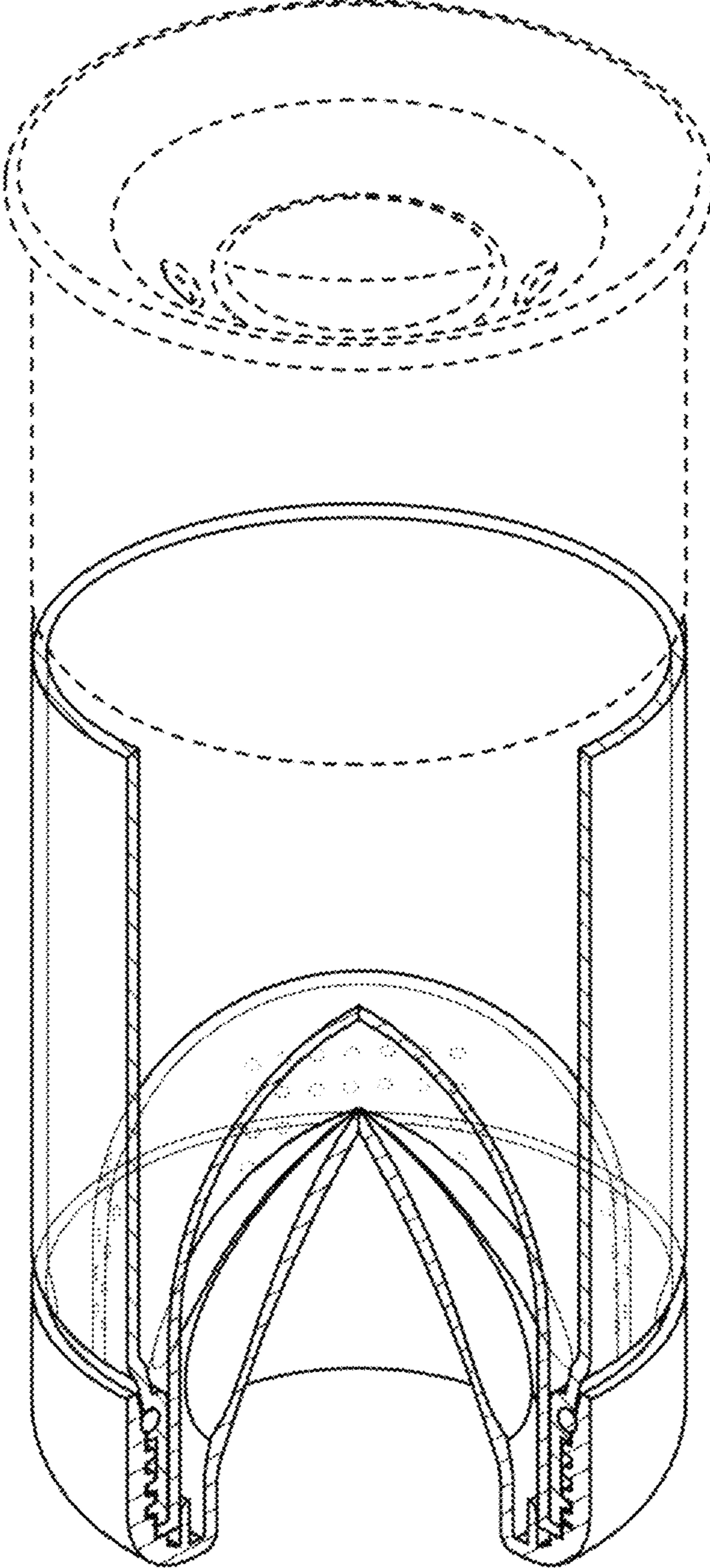


FIG. 1

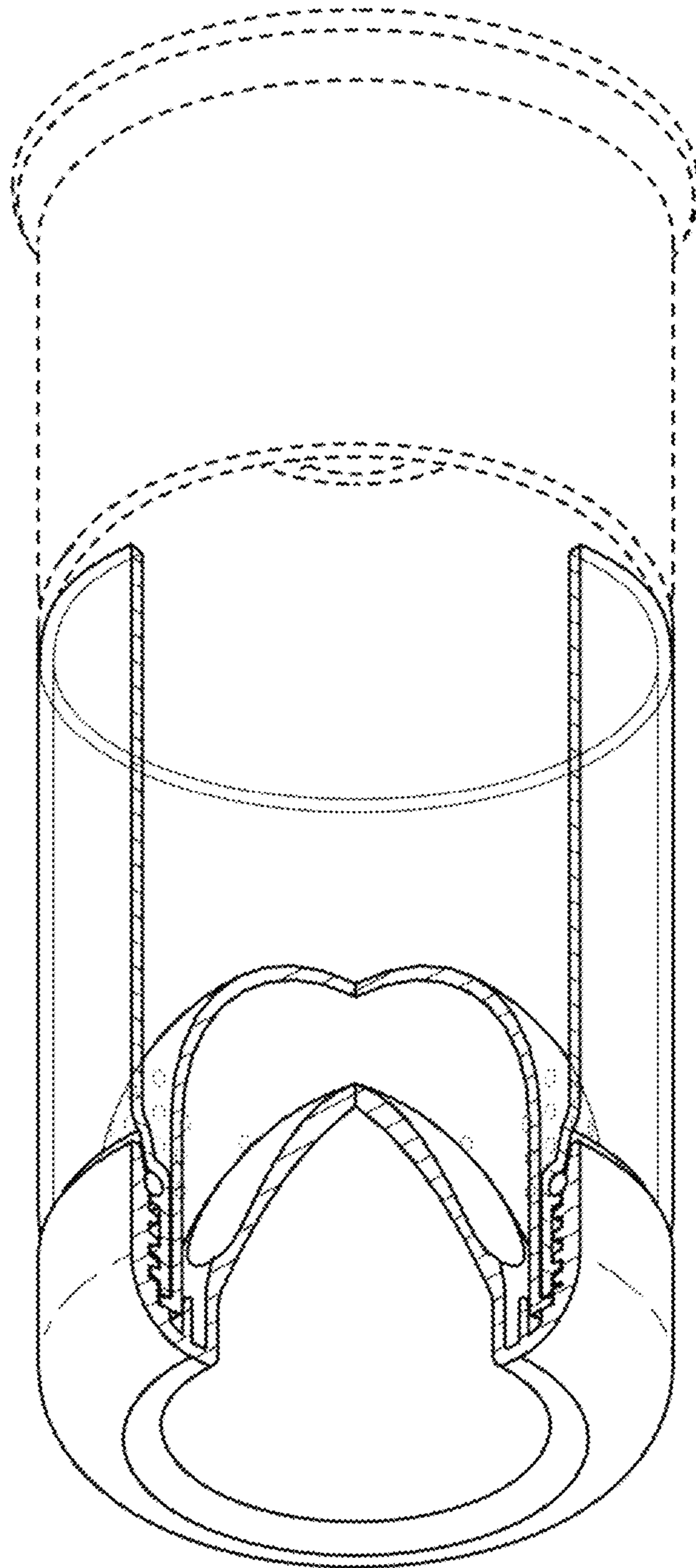


FIG. 2

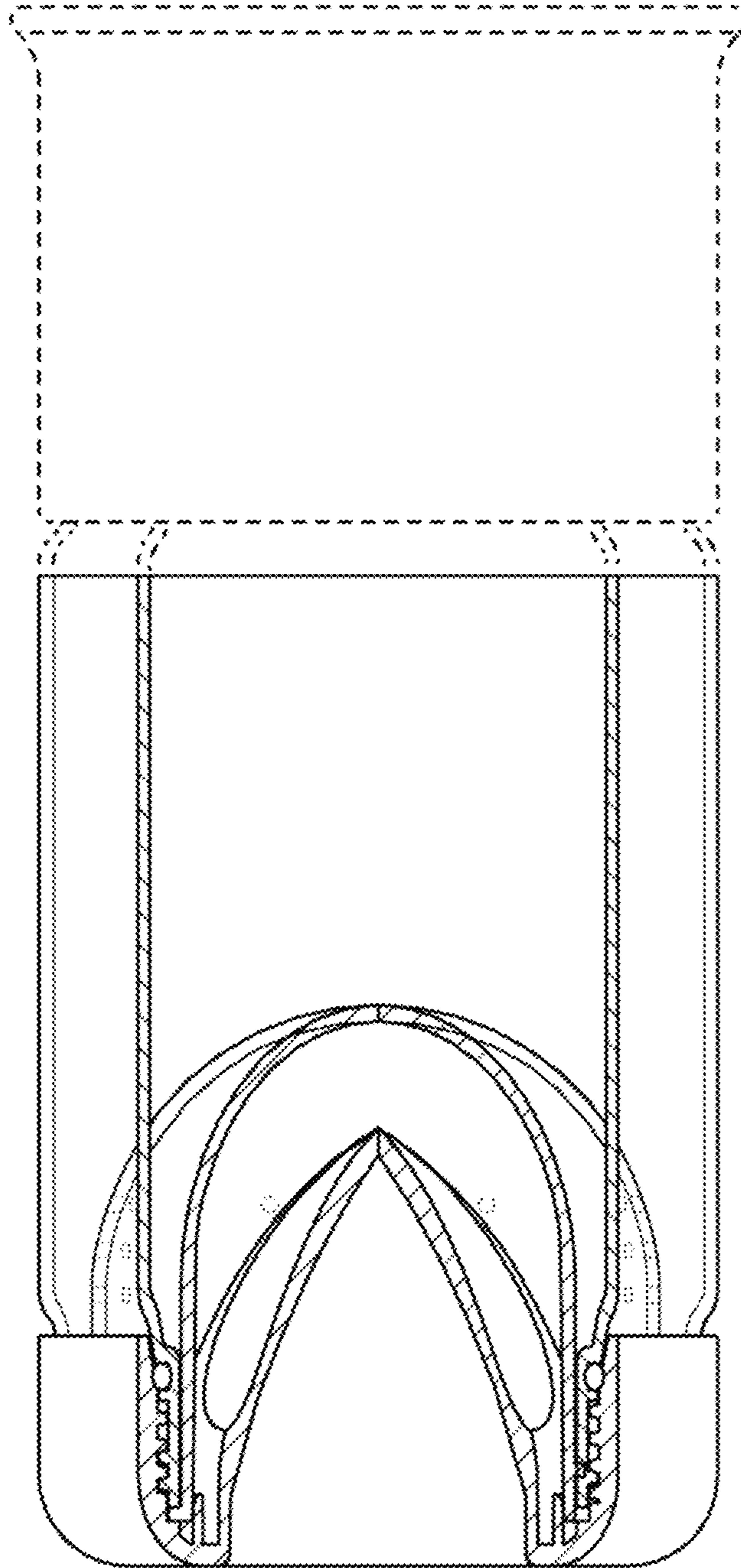


FIG. 3

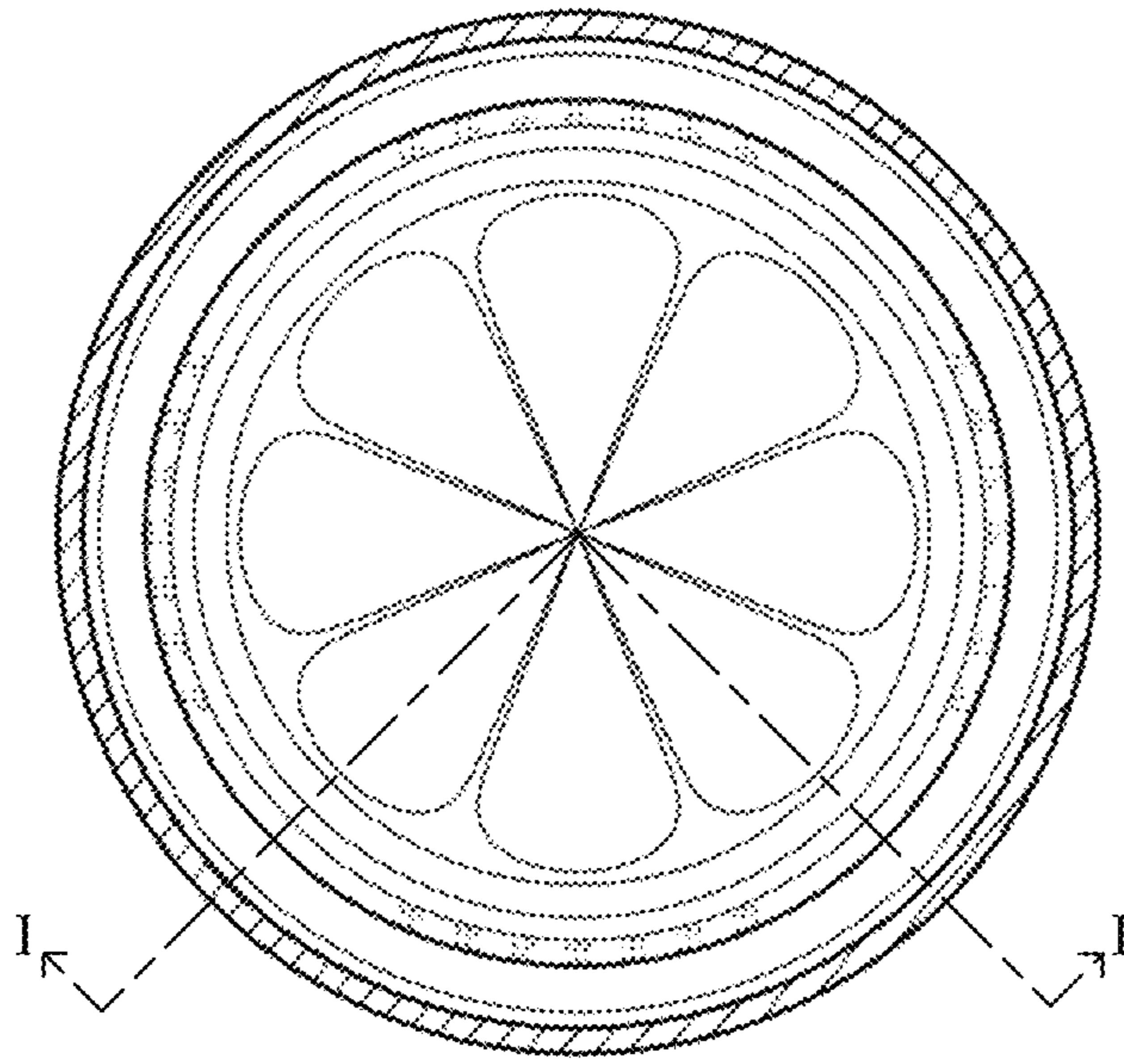


FIG. 4

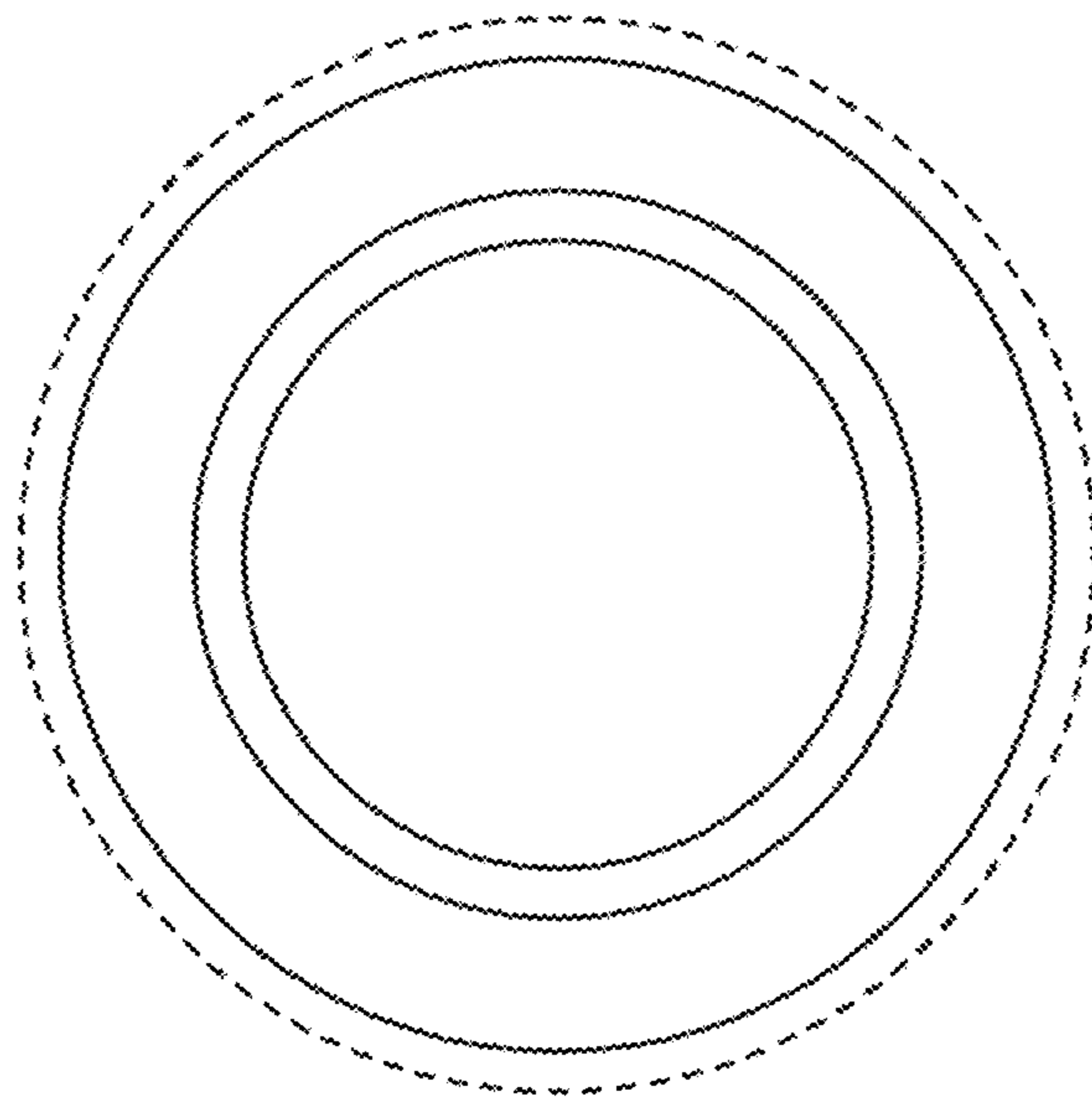


FIG. 5