



US00D859069S

(12) **United States Design Patent** (10) **Patent No.:** **US D859,069 S**
MacLean-Blevins et al. (45) **Date of Patent:** **** Sep. 10, 2019**

(54) **FLUID DISPENSING SYSTEM**

(56) **References Cited**

(71) Applicant: **RSC CHEMICAL SOLUTIONS, LLC**, Indian Trail, NC (US)
(72) Inventors: **Mark T. MacLean-Blevins**, Westminster, MD (US); **Larry Gene Beaver**, Indian Trail, NC (US); **Nicole Andrews**, Concord, NC (US); **Marshal Livingstone**, Waxhaw, NC (US); **Murray Williamson**, Kannapolis, NC (US); **Claudia Largacha**, Bethesda, MD (US)
(73) Assignee: **RSC CHEMICAL SOLUTIONS, LLC**, Indian Trail, NC (US)
(**) Term: **15 Years**
(21) Appl. No.: **29/675,521**
(22) Filed: **Jan. 3, 2019**

U.S. PATENT DOCUMENTS

D534,800	S	*	1/2007	Marroncles	D9/448
D746,680	S	*	1/2016	Orasche	D9/448
D750,491	S	*	3/2016	Campbell	D9/448
9,938,054	B2		4/2018	Choltco-Devlin		
9,944,438	B2		4/2018	Roth et al.		
9,944,509	B2		4/2018	Rumigny et al.		
D821,197	S		6/2018	Cook et al.		
D836,434	S	*	12/2018	Gibson	D9/448
D837,649	S	*	1/2019	Alluigi	D9/448
2014/0084026	A1	*	3/2014	Gillespie	B65D 83/206 222/153.11

* cited by examiner

Primary Examiner — Derrick E Holland
Assistant Examiner — Andrew Kerr
(74) *Attorney, Agent, or Firm* — Moore & Van Allen PLLC; James C. Edwards

(57) **CLAIM**

The ornamental design for a fluid dispensing system, as shown and described.

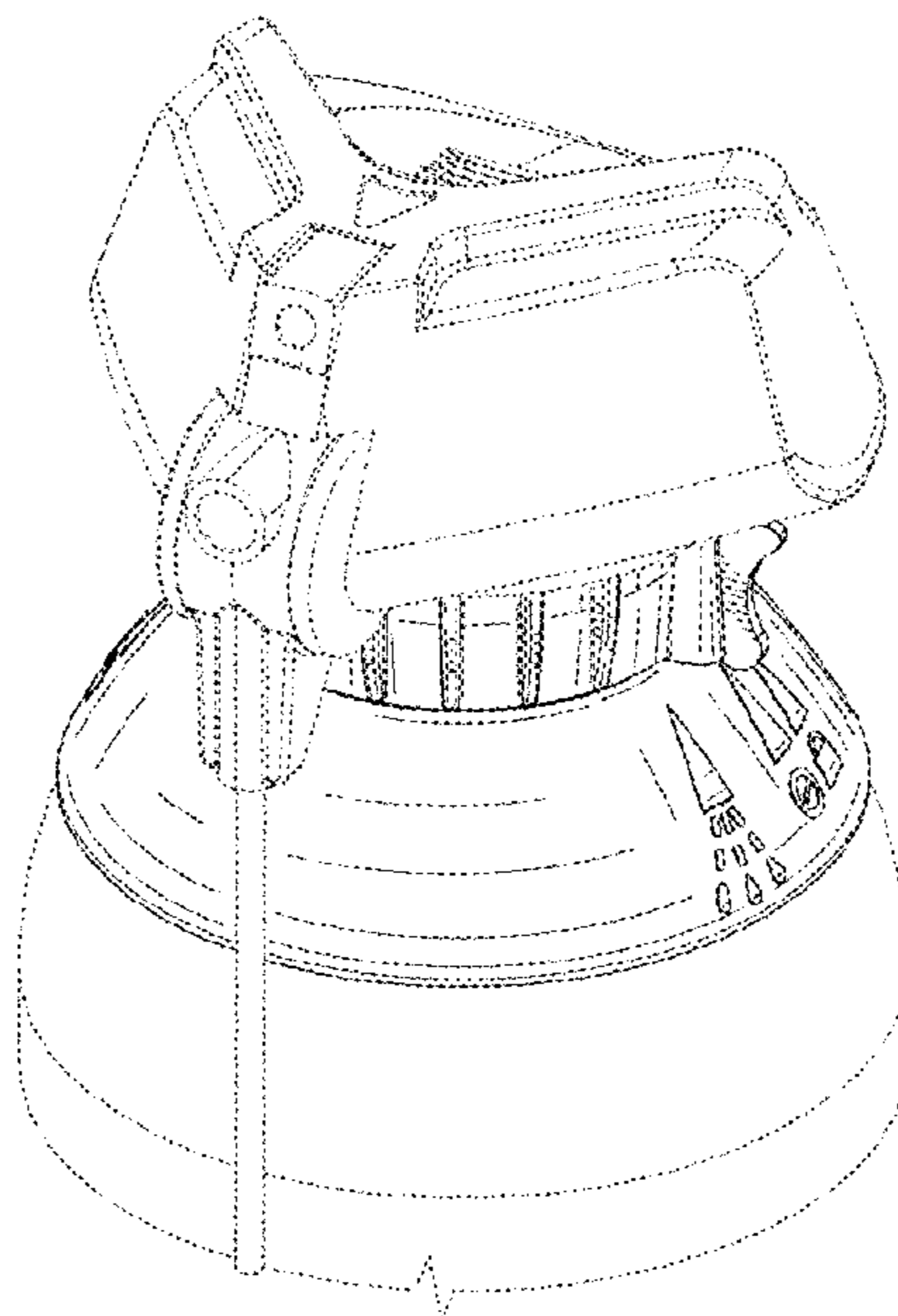
Related U.S. Application Data

(63) Continuation of application No. 29/612,833, filed on Aug. 4, 2017, now Pat. No. Des. 842,031.
(51) **LOC (12) Cl.** **07-99**
(52) **U.S. Cl.**
USPC **D7/398**; D9/448
(58) **Field of Classification Search**
USPC D9/434-436, 442-445; D7/387, 392;
D23/223, 226, 229, 233, 386, 387
CPC A61J 1/1412; B65D 1/02; B65D 1/323;
B65D 1/0246; B65D 25/40; B65D 25/42;
B65D 25/44; B65D 41/56; B65D 41/62;
B65D 47/06; B65D 47/08
See application file for complete search history.

DESCRIPTION

FIG. 1 is a perspective view of a fluid dispensing system, showing our new design;
FIG. 2 is a front elevation view thereof;
FIG. 3 is a rear elevation view thereof;
FIG. 4 is a right elevation view thereof;
FIG. 5 is a left elevation view thereof;
FIG. 6 is a top plan view thereof; and,
FIG. 7 is a bottom plan view thereof.
The broken lines showing portions of the fluid dispensing system are for the purpose of illustrating environmental structure and form no part of the claimed design.

1 Claim, 7 Drawing Sheets



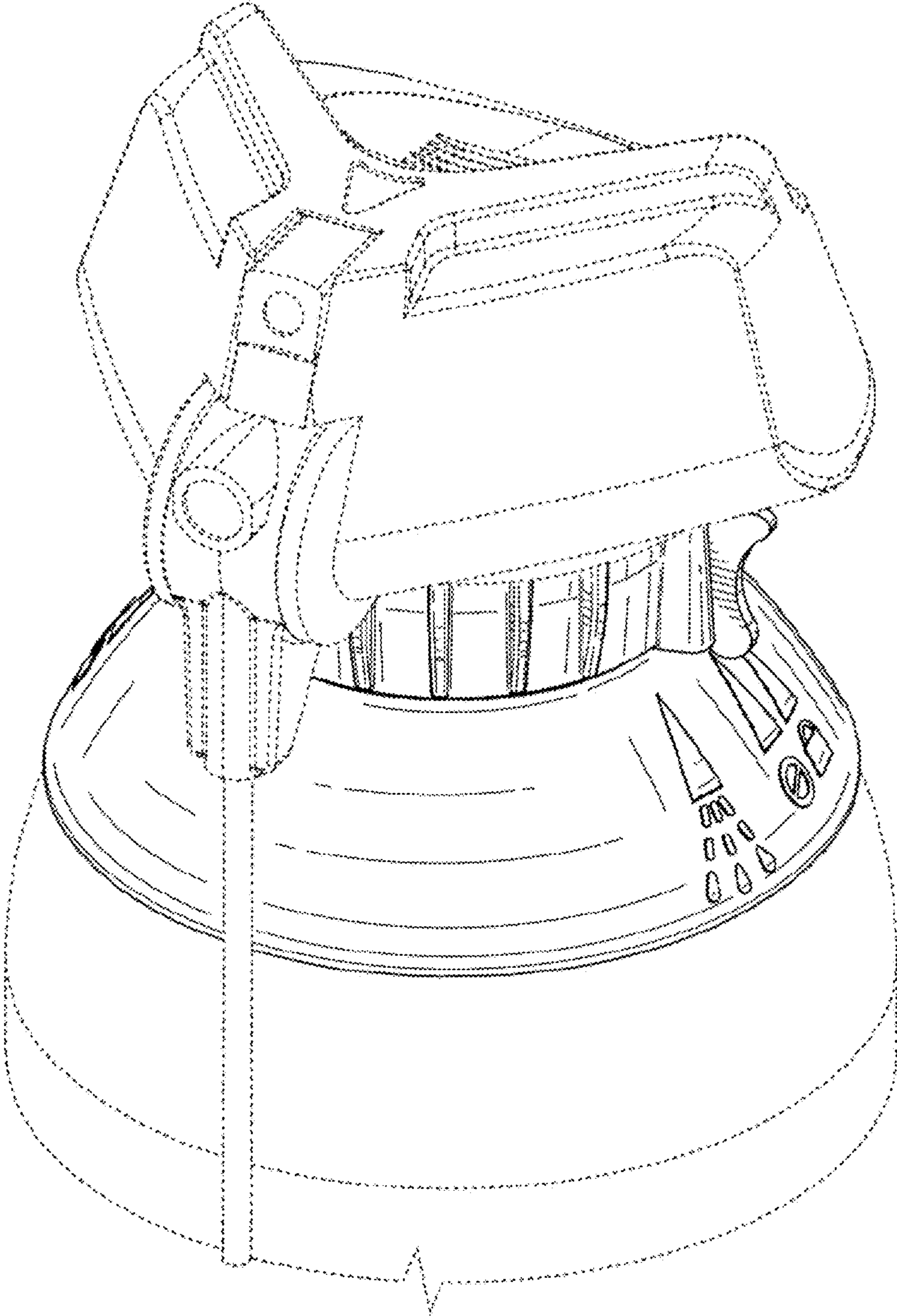


FIG. 1

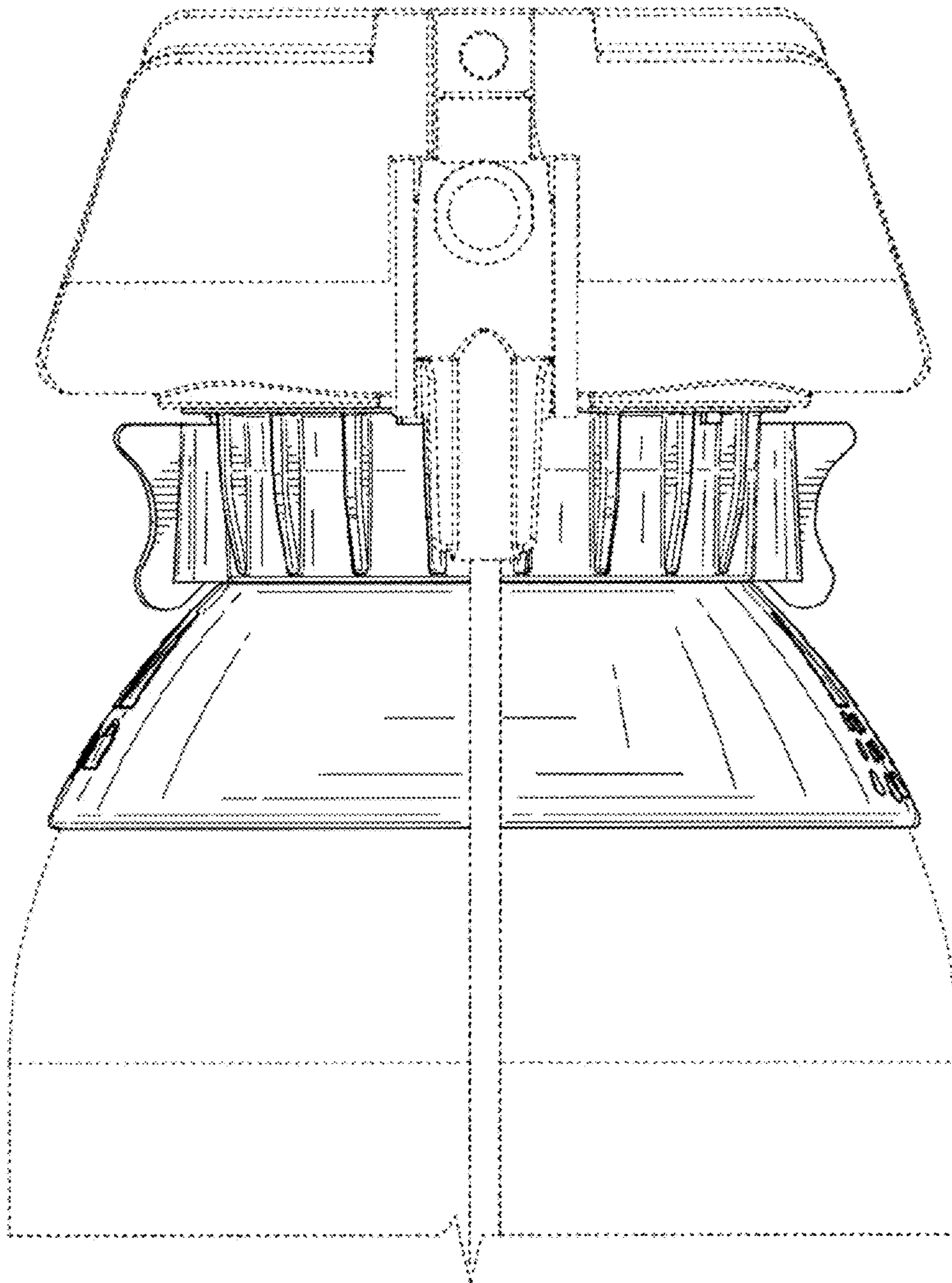


FIG. 2

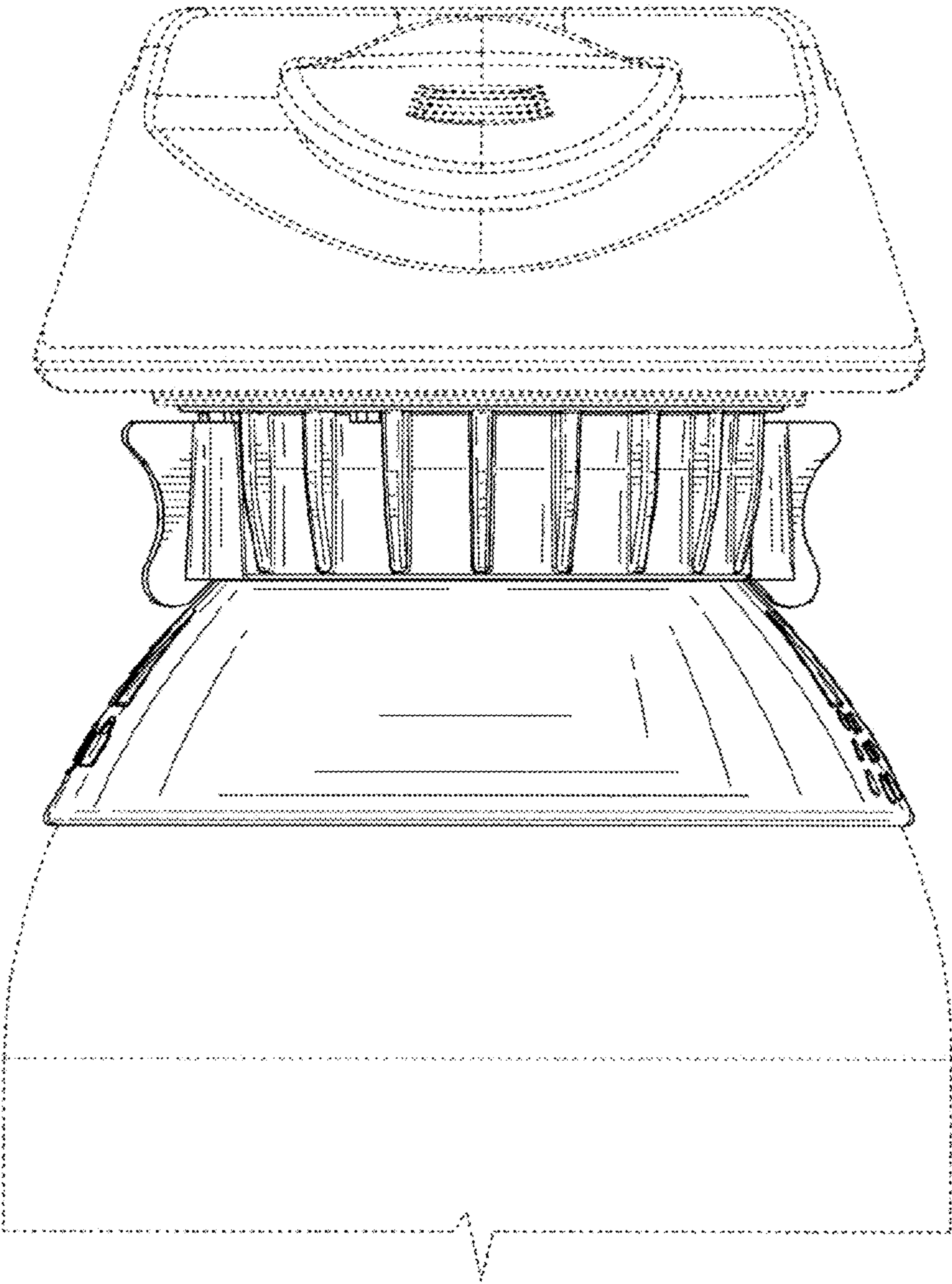


FIG. 3

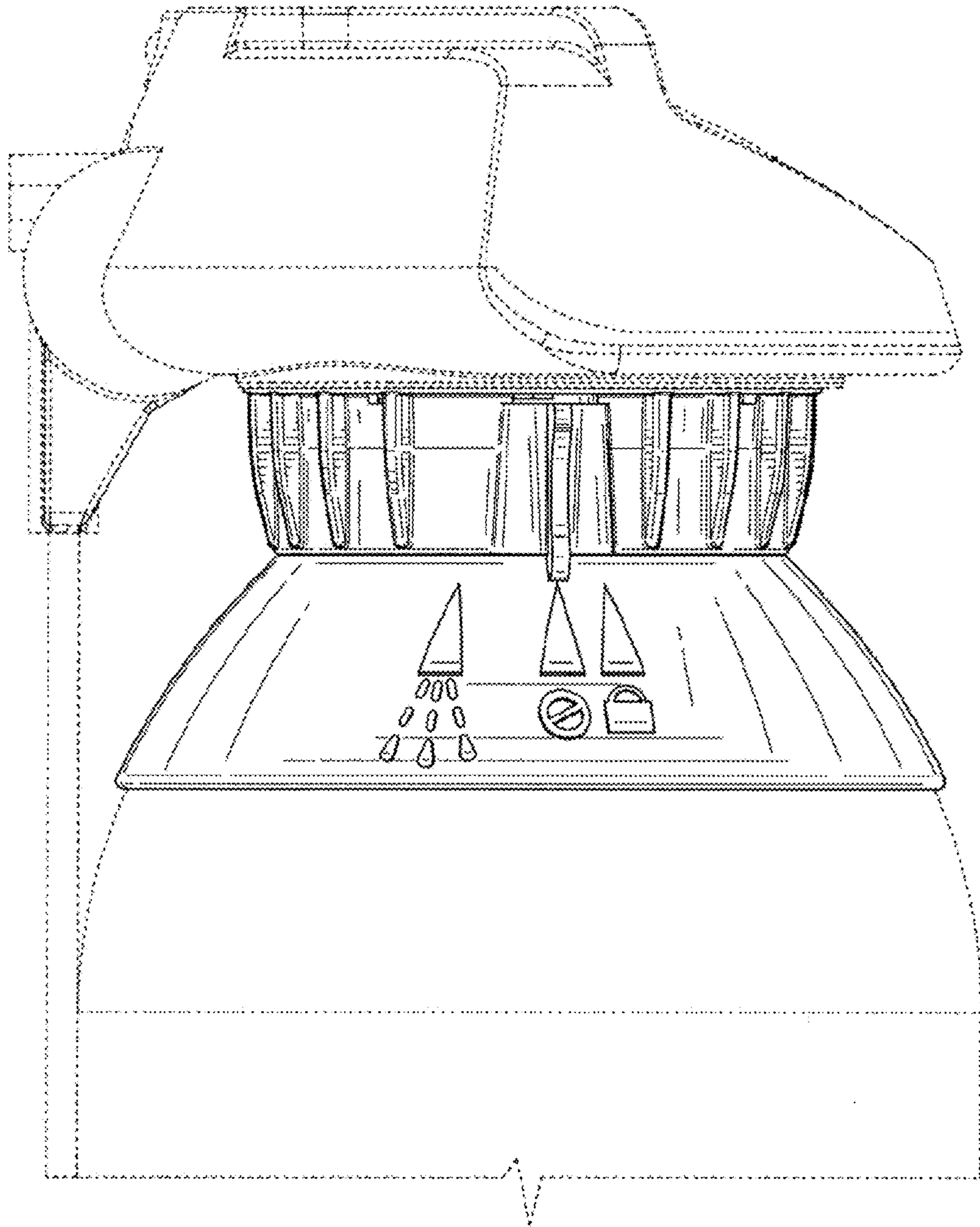


FIG. 4

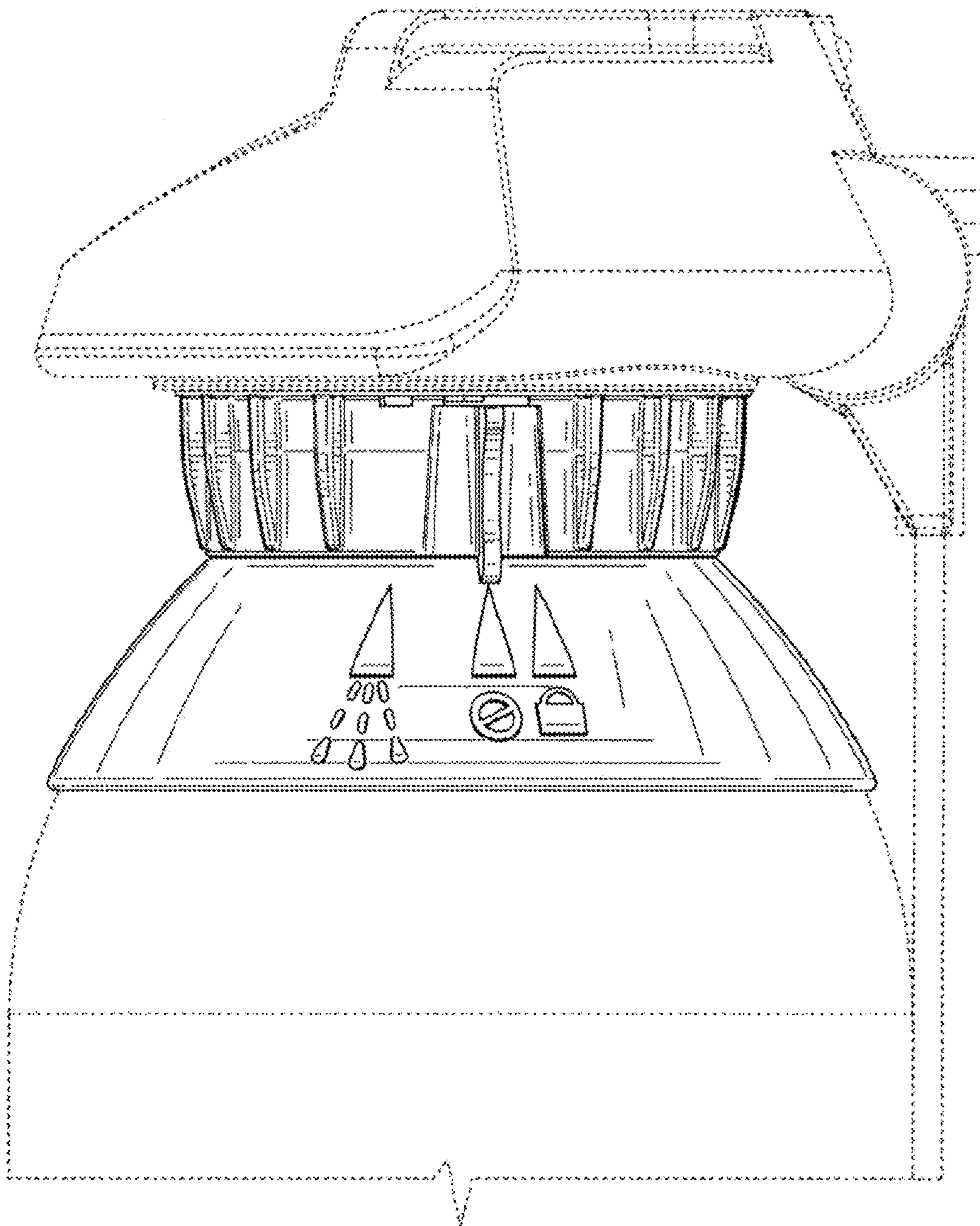


FIG. 5

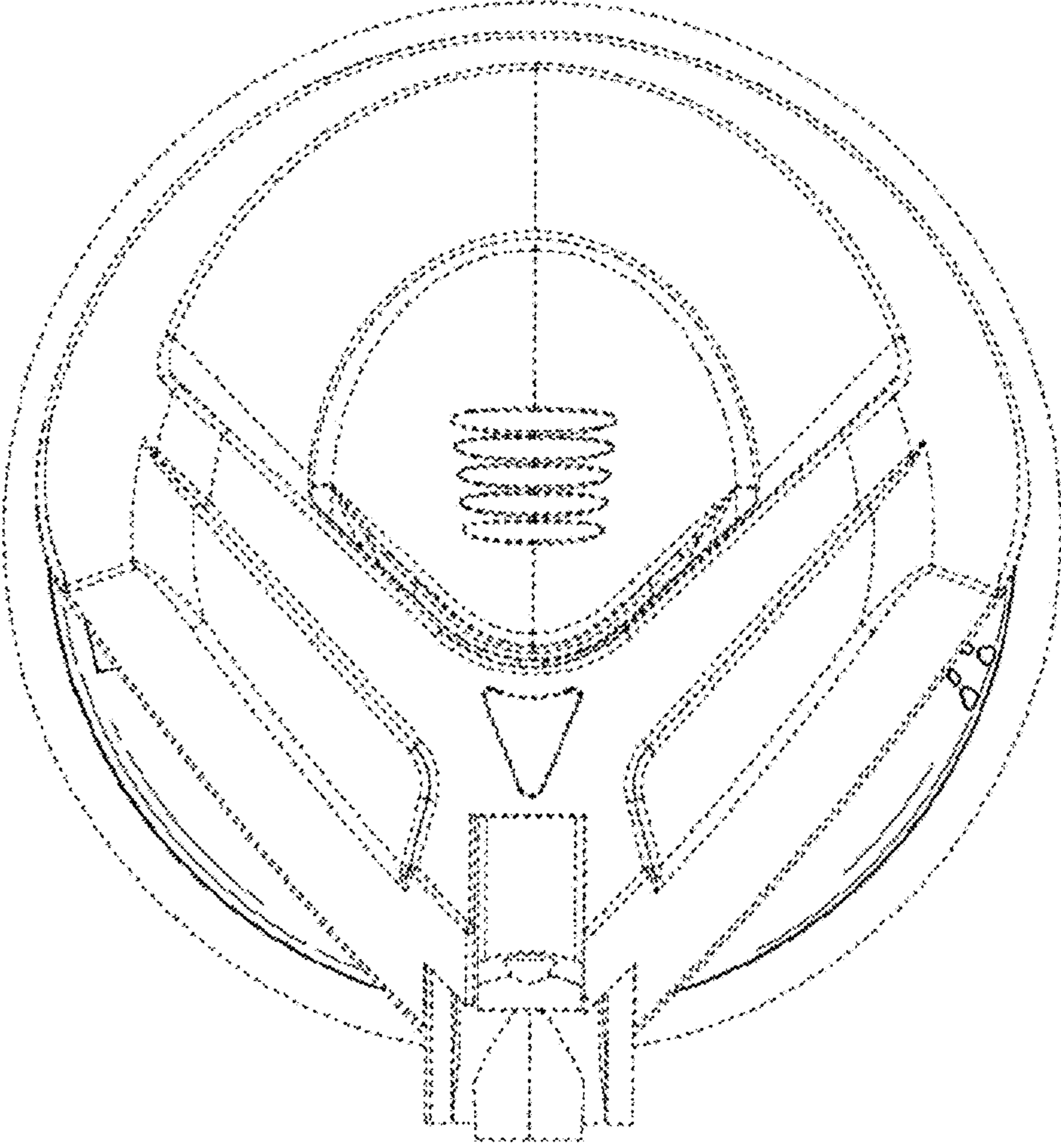


FIG. 6

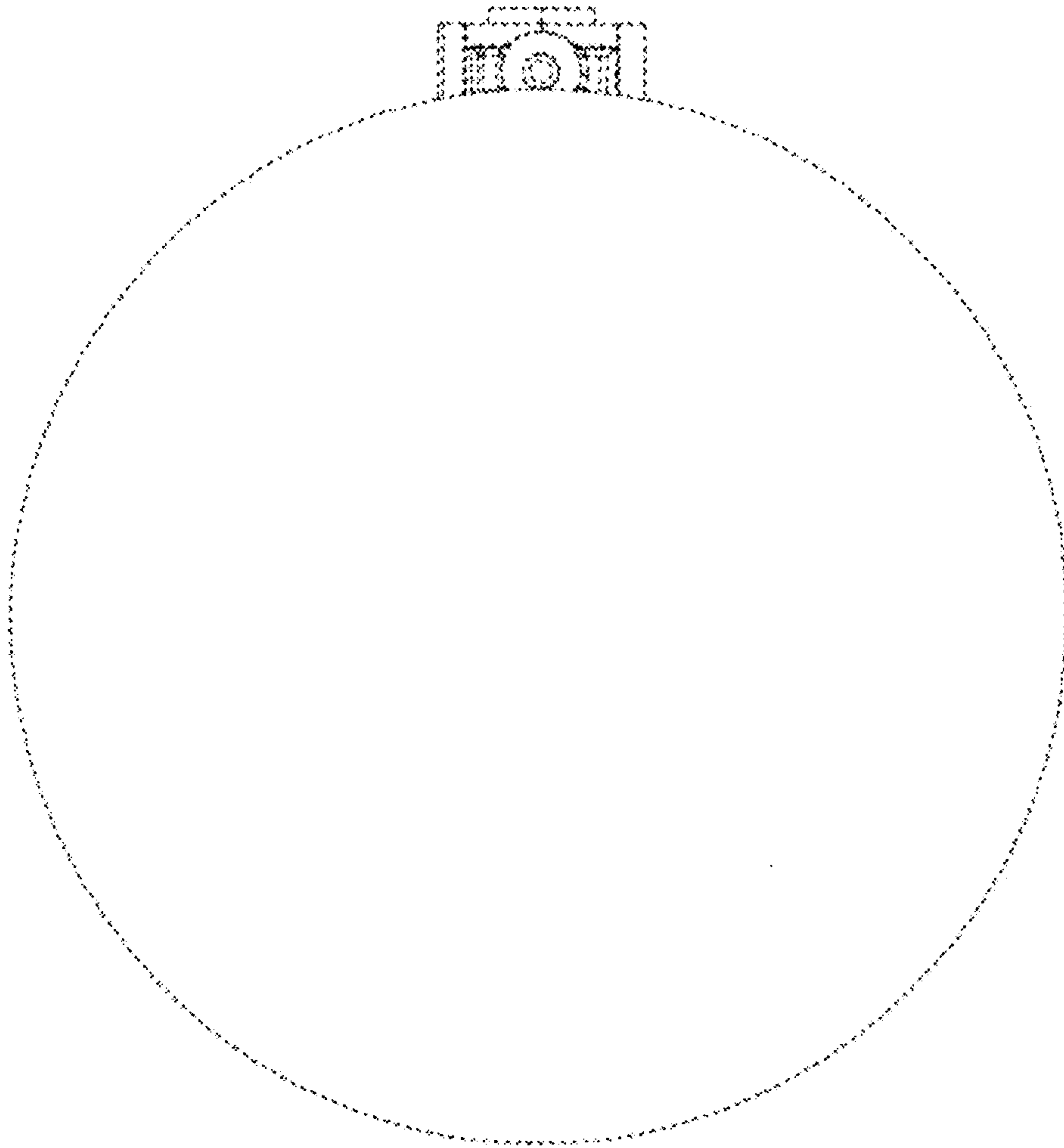


FIG. 7