



US00D859066S

(12) **United States Design Patent**
Upston

(10) **Patent No.:** **US D859,066 S**

(45) **Date of Patent:** **** Sep. 10, 2019**

(54) **LID FOR CONTAINER**

(71) Applicant: **Breville Pty Limited**, Alexandria (AU)

(72) Inventor: **Gregory Upston**, Ridgewood (AU)

(73) Assignee: **Breville Pty Limited**, Alexandria (AU)

(**) Term: **15 Years**

(21) Appl. No.: **29/650,991**

(22) Filed: **Jun. 12, 2018**

(30) **Foreign Application Priority Data**

May 30, 2018 (AU) 201813243

(51) **LOC (12) Cl.** **07-99**

(52) **U.S. Cl.**
USPC **D7/391; D7/412; D9/443**

(58) **Field of Classification Search**

USPC D9/428, 429, 432, 434, 435, 436, 439,
D9/440, 443, 444, 445, 447, 449-455,
D9/499, 500, 503, 504, 705; D7/317,
D7/387, 391, 392, 392.1, 393, 396.1,
D7/396.2, 509-511, 538, 900, 378, 380,
D7/412, 413; D3/202, 203.2, 294, 302,
D3/318; D28/91

CPC .. A61J 1/00; A61J 1/1412; B65D 1/00; B65D
1/02; B65D 1/10; B65D 1/46; B65D
2585/56; B65D 2585/545; B65D 41/00;
B65D 41/38; B65D 41/56; B65D 41/62;
B65D 47/00; B65D 47/06; B65D 47/08;
B65D 2543/00046; B65D 2543/00092;
B65D 2543/00296; B65D 5/46; B65D
2251/00

See application file for complete search history.

(56) **References Cited**

U.S. PATENT DOCUMENTS

D176,258 S * 12/1955 Hill et al. D7/391
D228,698 S * 10/1973 Barnard, Jr. D7/378

D435,192 S * 12/2000 Bohannon, Jr. D7/413
D495,925 S * 9/2004 Ulanski D7/412
D577,545 S * 9/2008 Ulanski D7/391
D578,340 S * 10/2008 Picozza D7/378
D611,760 S * 3/2010 Ball D7/378
D616,244 S * 5/2010 Thai D7/378
D647,359 S * 10/2011 Audette D7/378
D709,326 S * 7/2014 Thai D7/378
D798,101 S * 9/2017 Rose D7/376
D798,104 S * 9/2017 Stumph D7/378
D815,886 S * 4/2018 Huang D7/378
D817,701 S * 5/2018 Ho D7/391
D828,754 S * 9/2018 Liu D9/443
D839,664 S * 2/2019 Pentelovitch D7/391
10,201,790 B2 * 2/2019 Hoare A47J 43/046
2019/0099042 A1 * 4/2019 Leppert A47J 43/0716

* cited by examiner

Primary Examiner — Michael A. Pratt

Assistant Examiner — Wendy L Arminio

(74) *Attorney, Agent, or Firm* — Moser Taboada

(57) **CLAIM**

The ornamental design for a lid for container, as shown and described.

DESCRIPTION

FIG. 1 is a top view of a lid for container embodying the new design;

FIG. 2 is a front view of the design shown in FIG. 1;

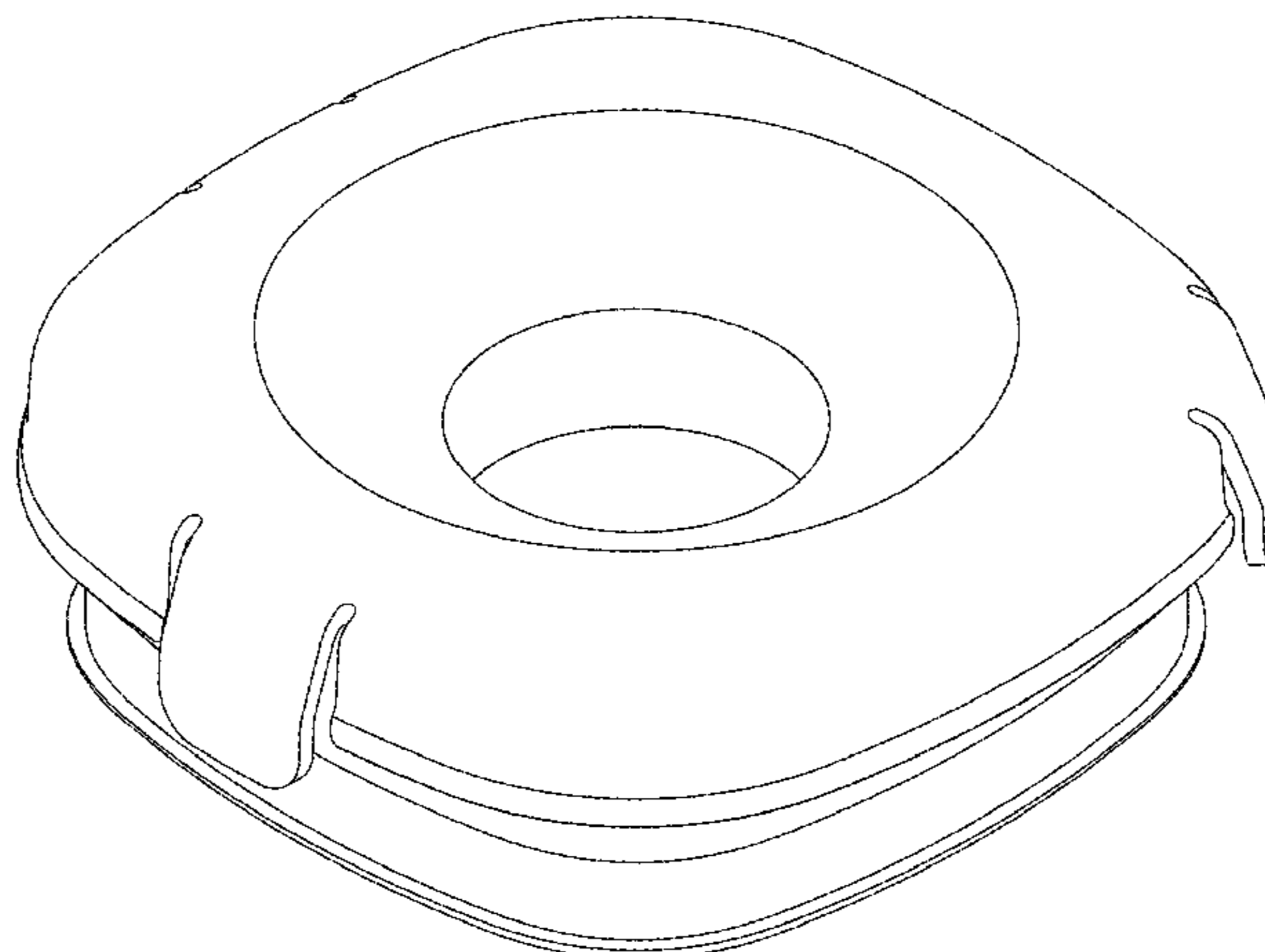
FIG. 3 is a right side view of the design shown in FIG. 1;

FIG. 4 is a bottom view of the design shown in FIG. 1;

FIG. 5 is a top perspective view of the design shown in FIG. 1; and,

FIG. 6 is a bottom perspective view of the design shown in FIG. 1.

1 Claim, 6 Drawing Sheets



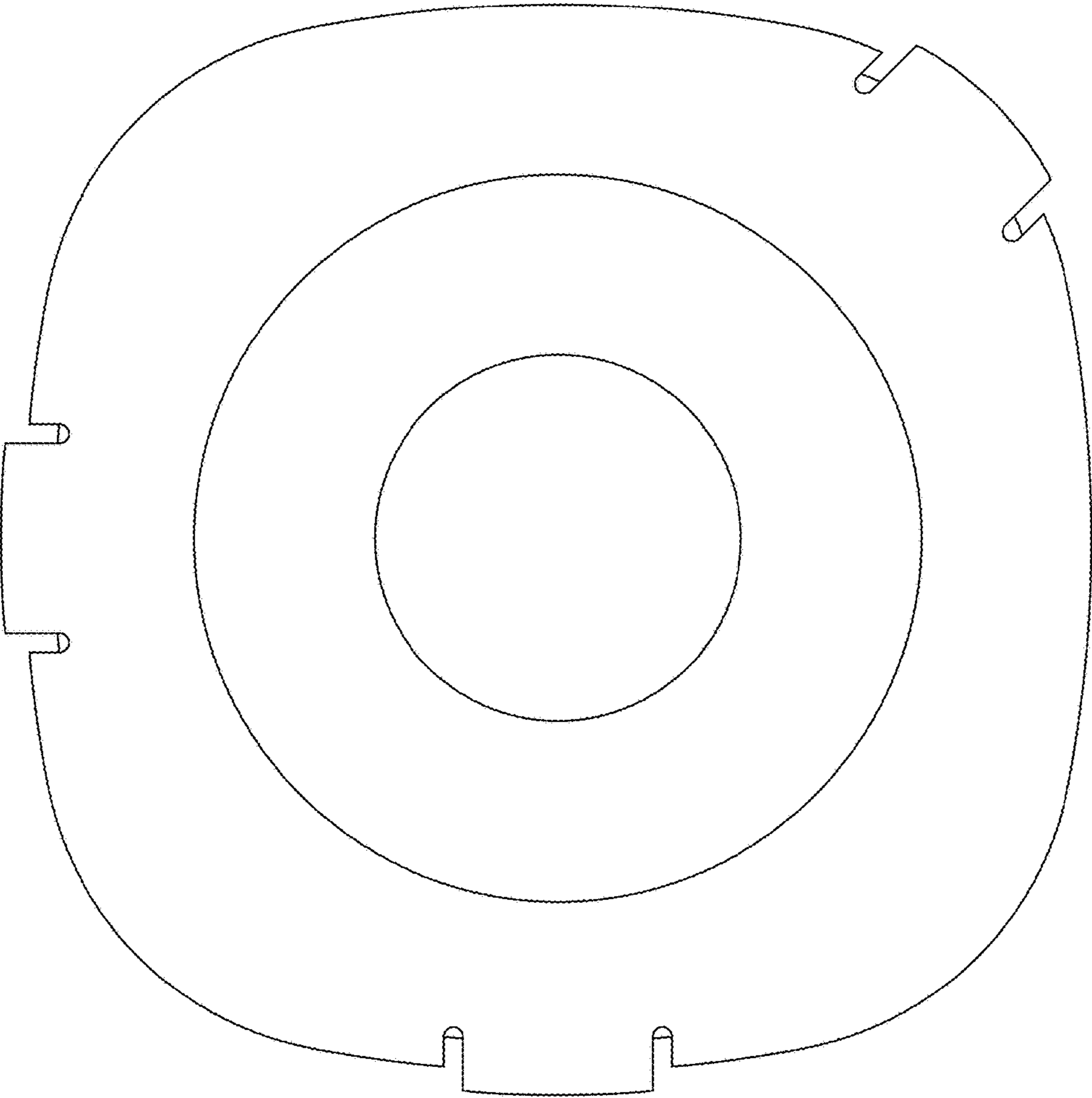


FIG. 1

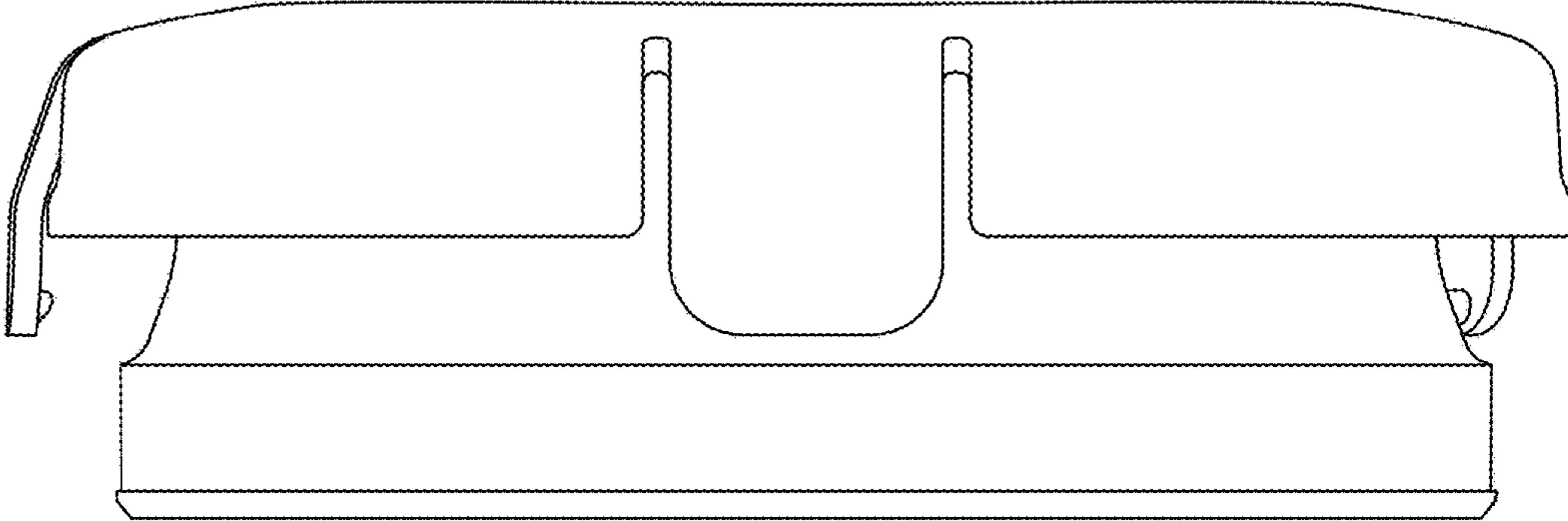


FIG. 2

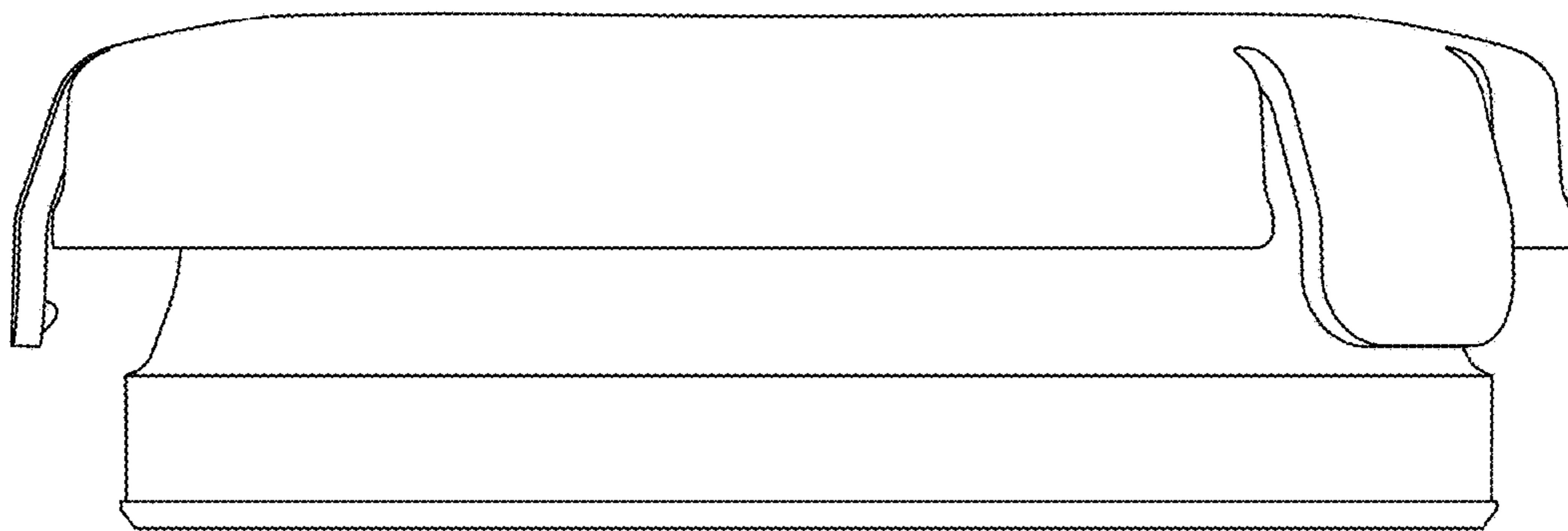


FIG. 3

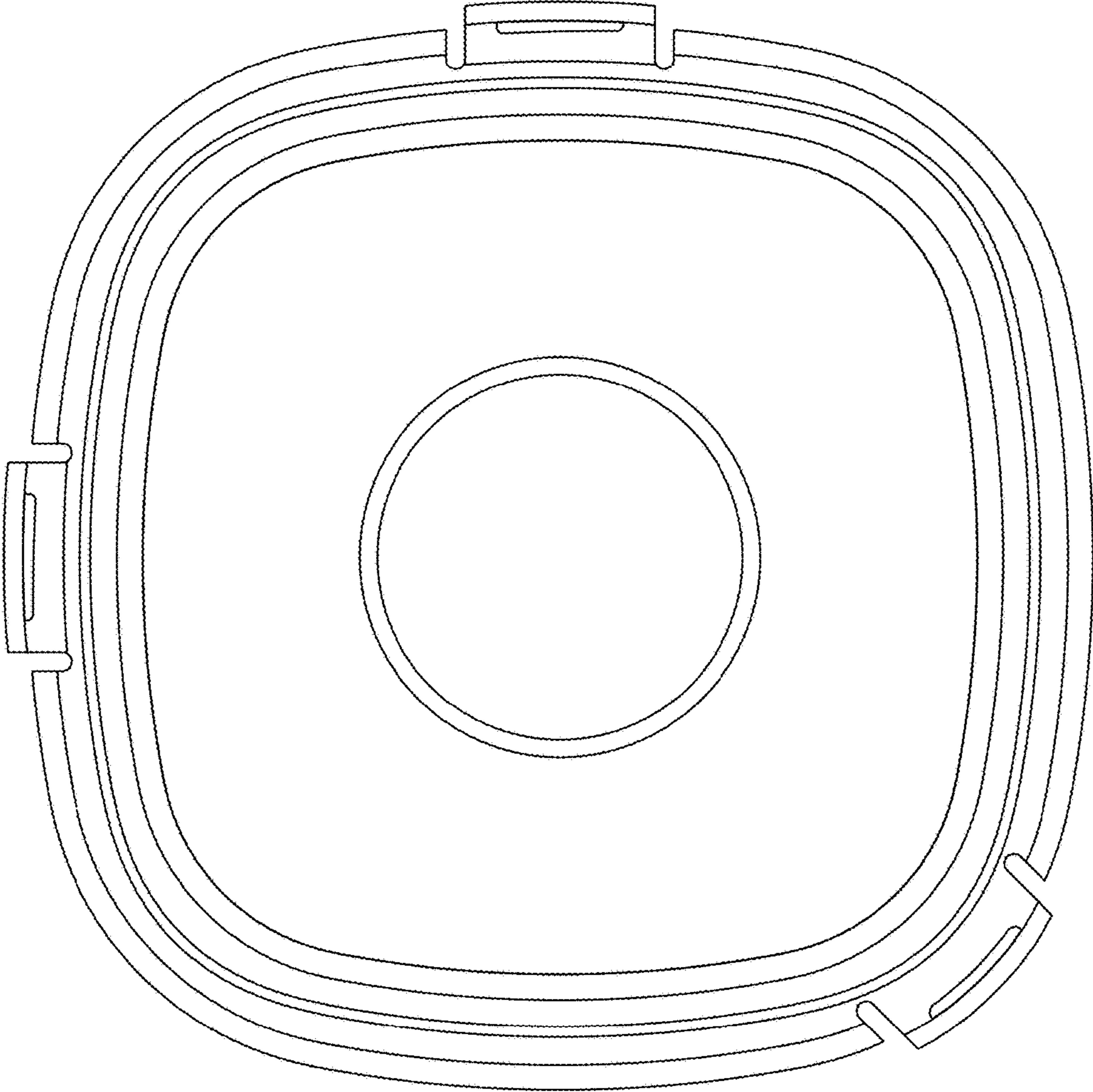


FIG. 4

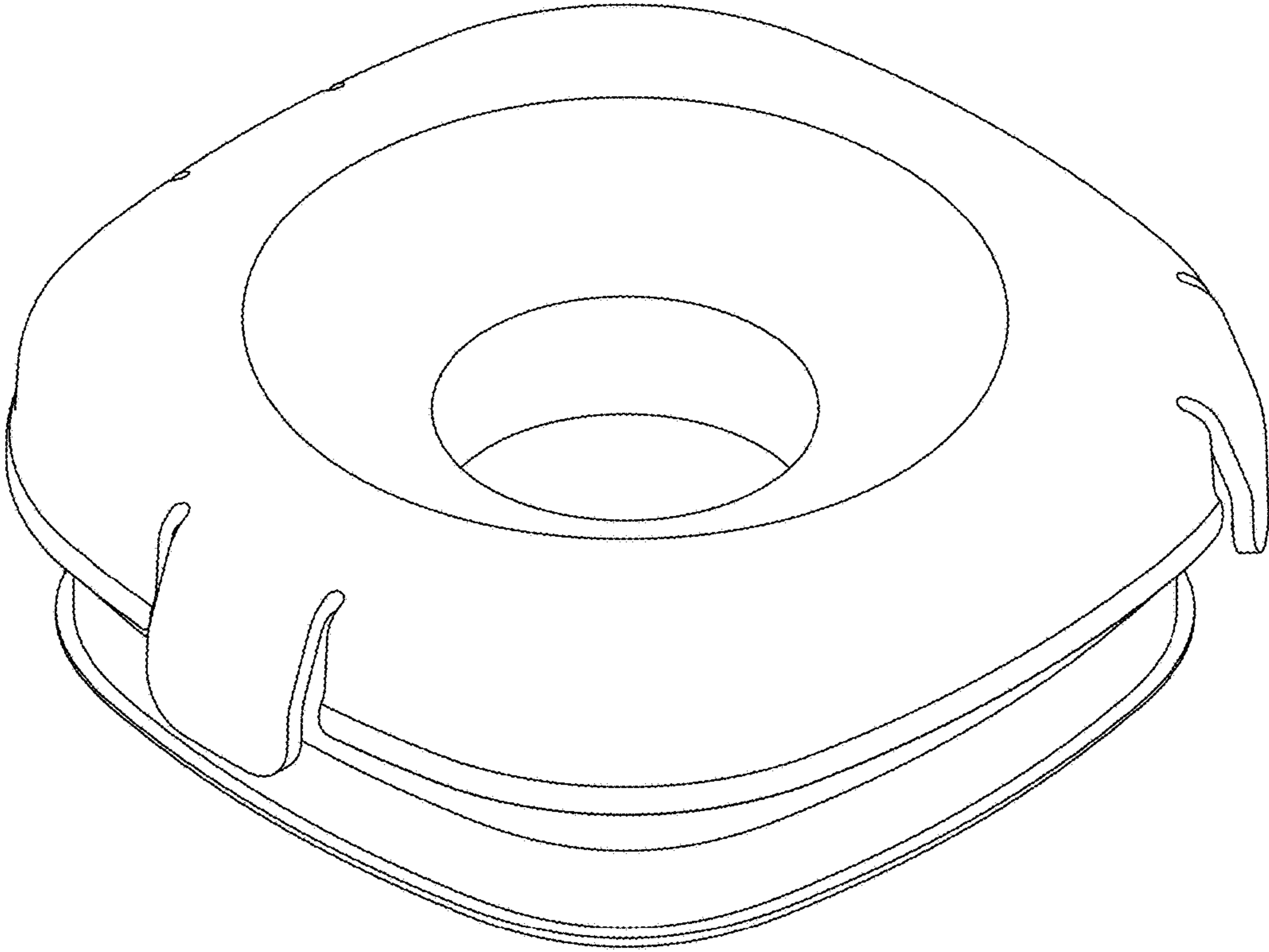


FIG. 5

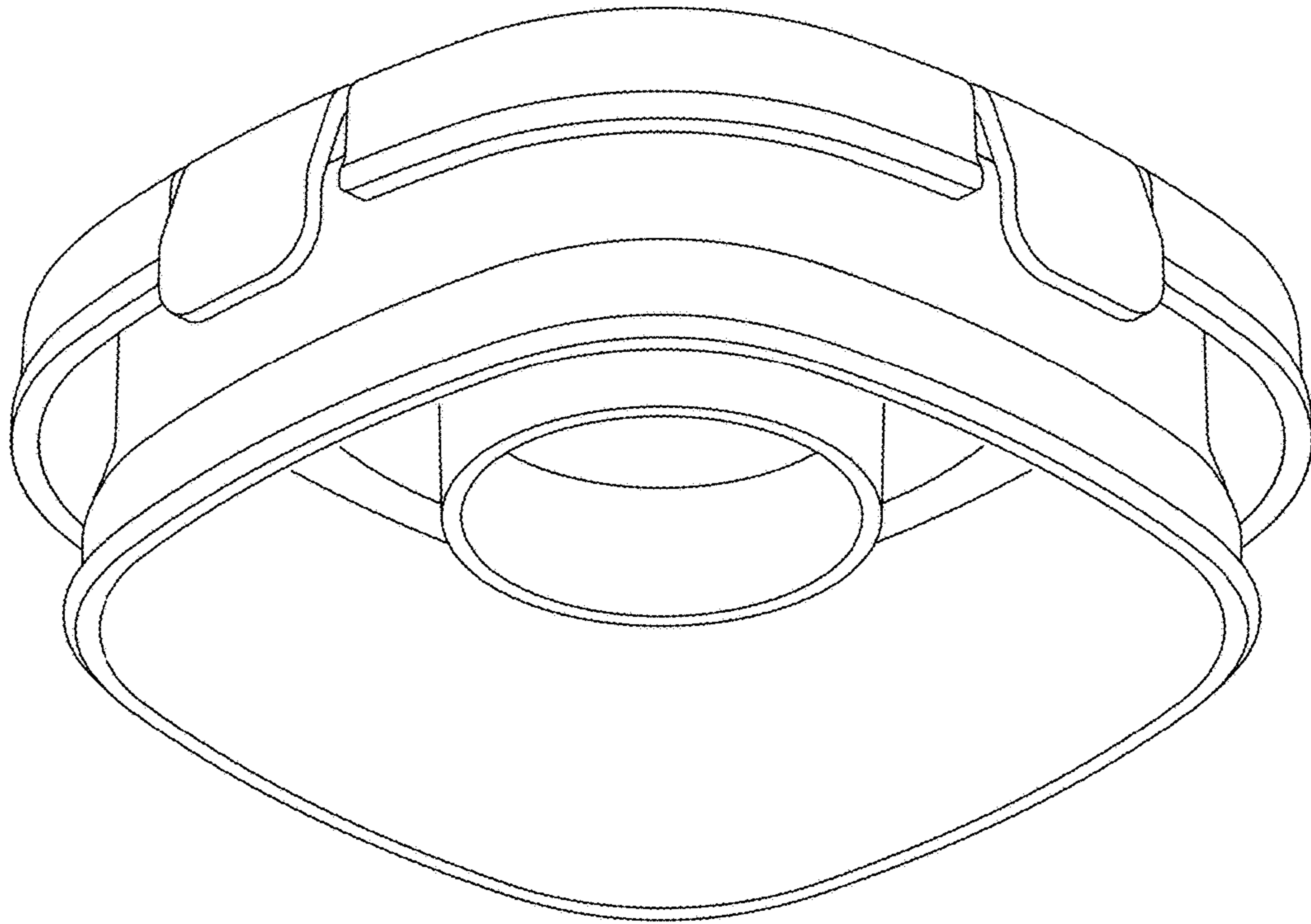


FIG. 6