



US00D859064S

(12) **United States Design Patent**  
**Lee et al.**

(10) **Patent No.: US D859,064 S**

(45) **Date of Patent: \*\* Sep. 10, 2019**

(54) **BLENDER BODY**

(71) Applicant: **LG ELECTRONICS INC.**, Seoul (KR)

(72) Inventors: **Donghwan Lee**, Seoul (KR); **Joogyeon Kim**, Seoul (KR); **Jaeil Bae**, Seoul (KR); **Jaeseok Seong**, Seoul (KR); **Junghwan Lee**, Seoul (KR)

(73) Assignee: **LG ELECTRONICS INC.**, Seoul (KR)

(\*\*) Term: **15 Years**

(21) Appl. No.: **35/505,295**

(22) Filed: **Jan. 11, 2018**

(80) **Hague Agreement Data**

Int. Filing Date: **Jan. 11, 2018**

Int. Reg. No.: **DM/100722**

Int. Reg. Date: **Jan. 11, 2018**

Int. Reg. Pub. Date: **Jul. 13, 2018**

(30) **Foreign Application Priority Data**

Jul. 12, 2017 (KR) ..... 30-2017-0032107

(51) **LOC (12) Cl.** ..... **31-00**

(52) **U.S. Cl.**  
USPC ..... **D7/386**

(58) **Field of Classification Search**

USPC ..... D7/372, 376-386, 412-413

CPC ..... B01F 2215/0006; B01F 3/04453; A47J 43/07; A47J 43/10

See application file for complete search history.

(56) **References Cited**

U.S. PATENT DOCUMENTS

D769,061 S *	10/2016	Diderotto .....	D7/376
D780,507 S *	3/2017	Barquin .....	D7/376
D811,806 S *	3/2018	Bock .....	D7/386
D820,033 S *	6/2018	Zhang .....	D7/378
D828,080 S *	9/2018	Ou .....	D7/376
D844,374 S *	4/2019	McConnell .....	D7/386

\* cited by examiner

*Primary Examiner* — Michael A. Pratt

(74) *Attorney, Agent, or Firm* — Birch, Stewart, Kolasch & Birch, LLP

(57) **CLAIM**

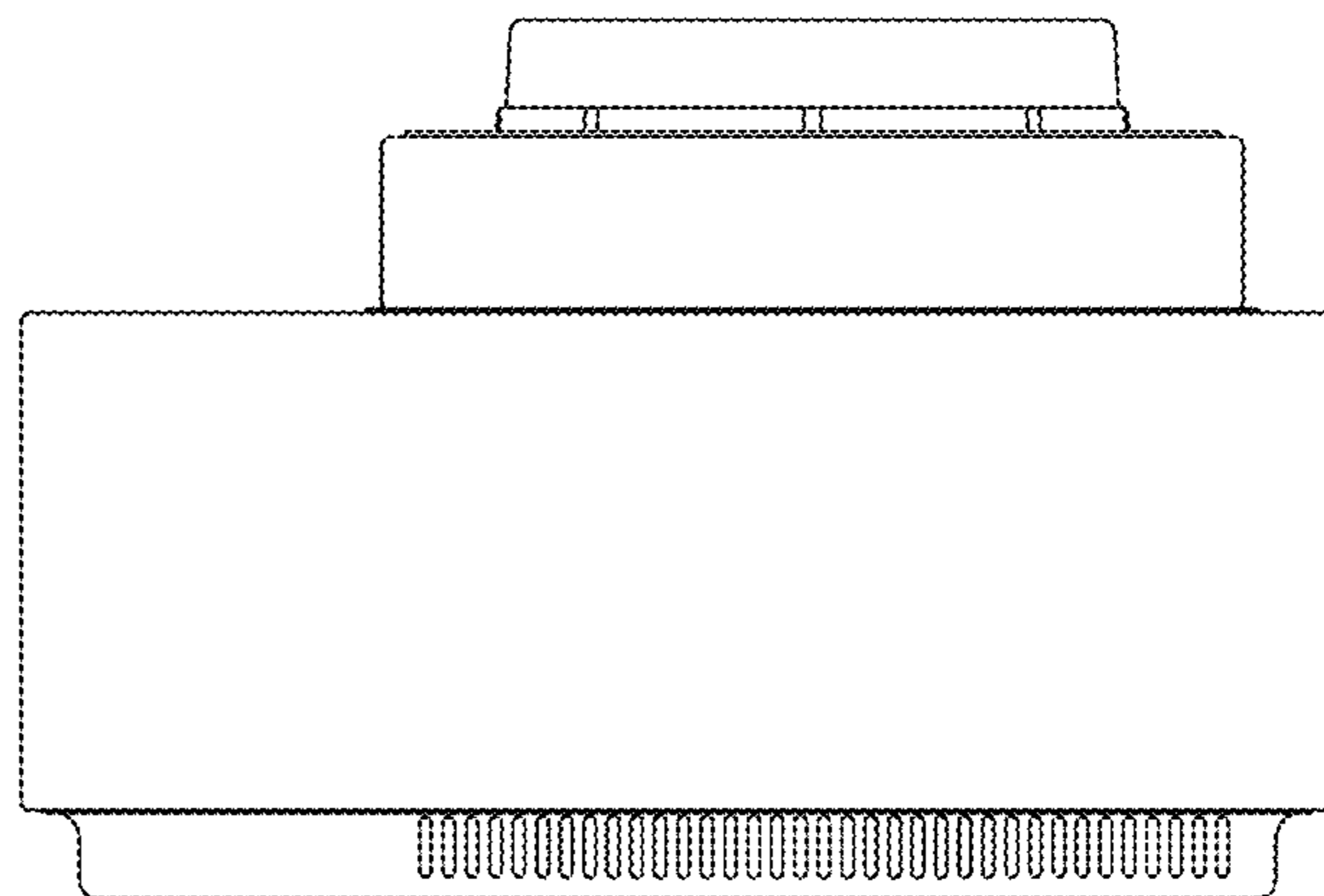
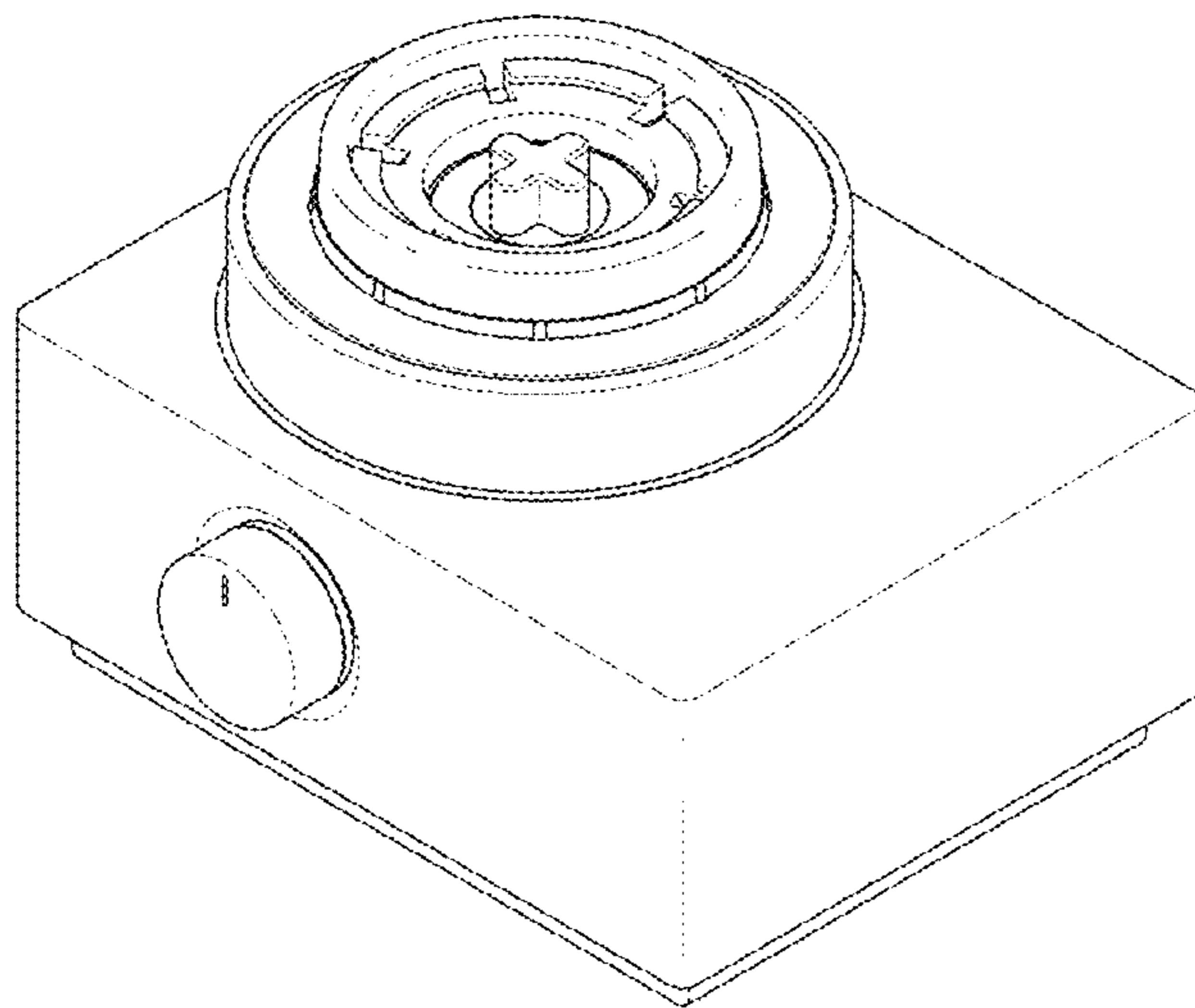
The ornamental design for a blender body, as shown and described.

**DESCRIPTION**

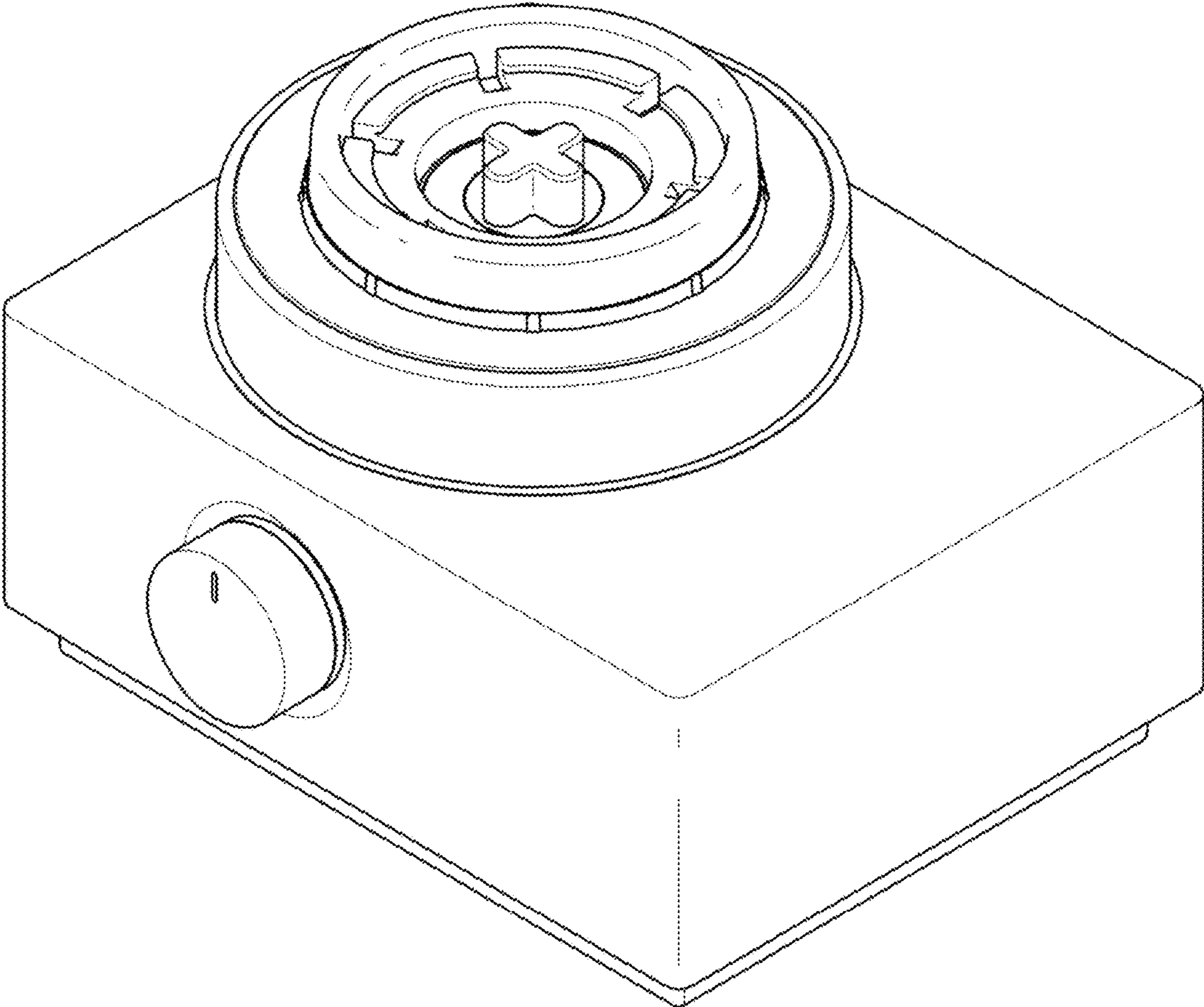
- 1. Blender body
- 1.1 : Perspective
- 1.2 : Front
- 1.3 : Back
- 1.4 : Left
- 1.5 : Right
- 1.6 : Top
- 1.7 : Bottom
- 1.8 : Reference

The broken lines indicate unclaimed portion of the article that form no part of the claimed design.

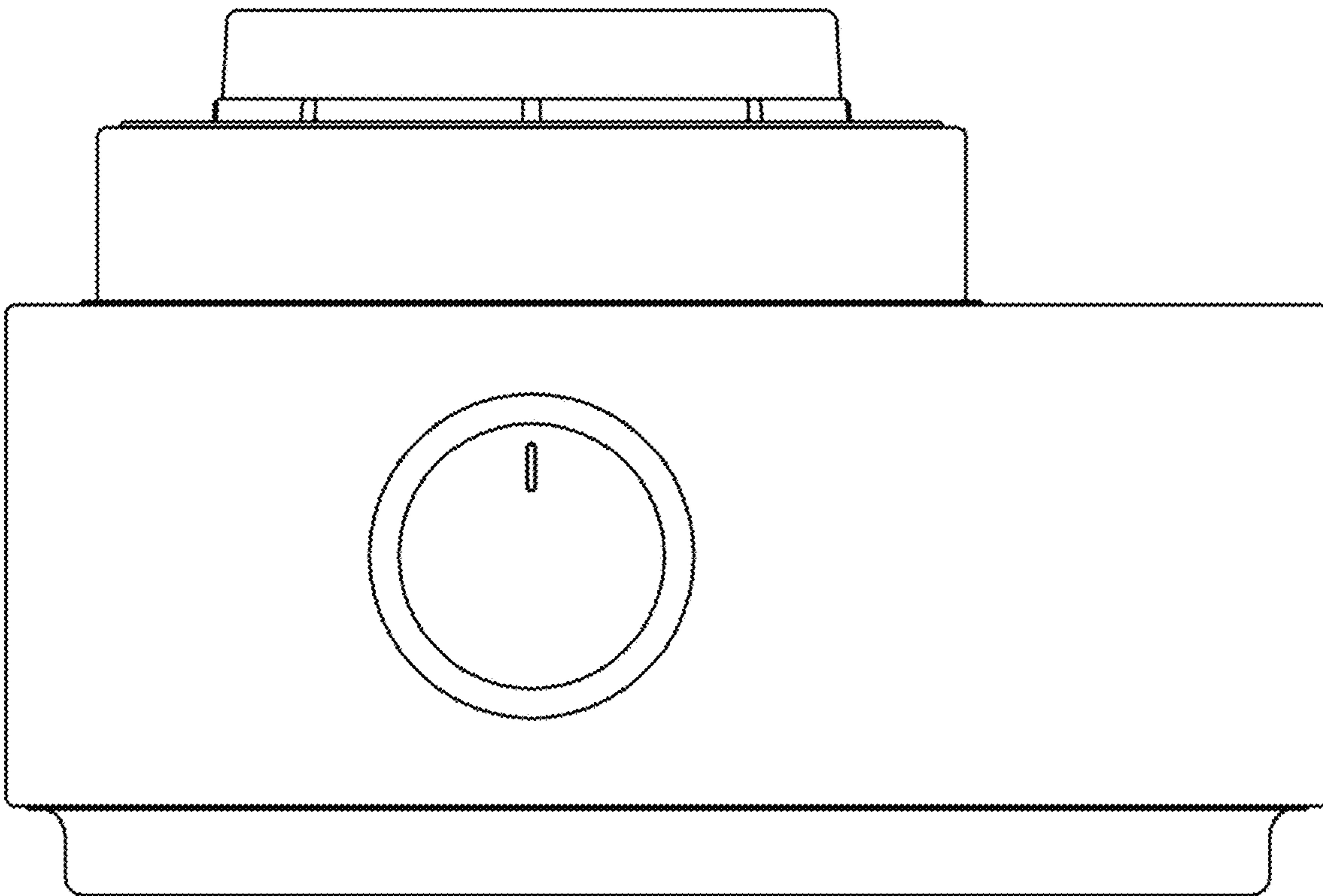
**1 Claim, 8 Drawing Sheets**



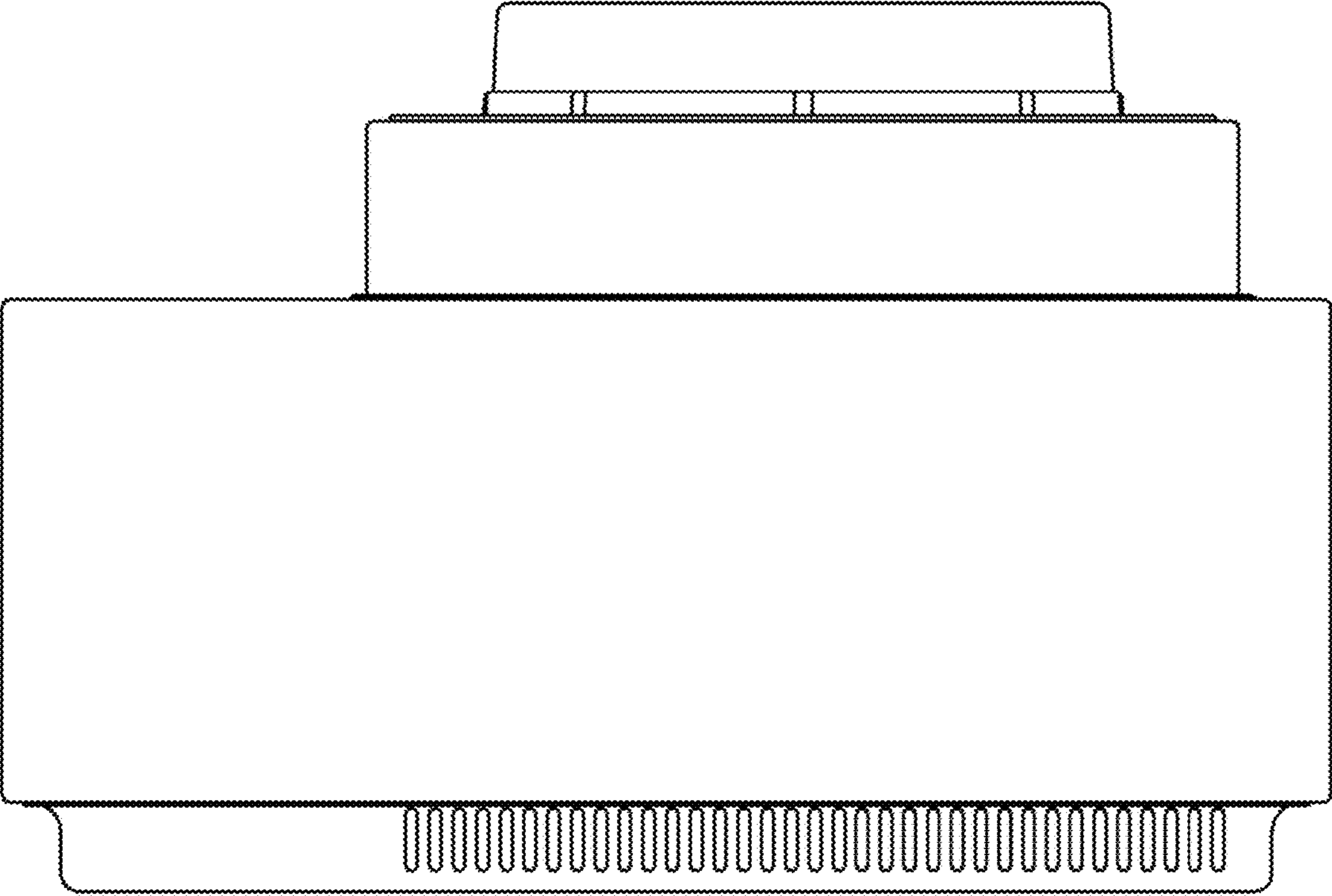
1.1



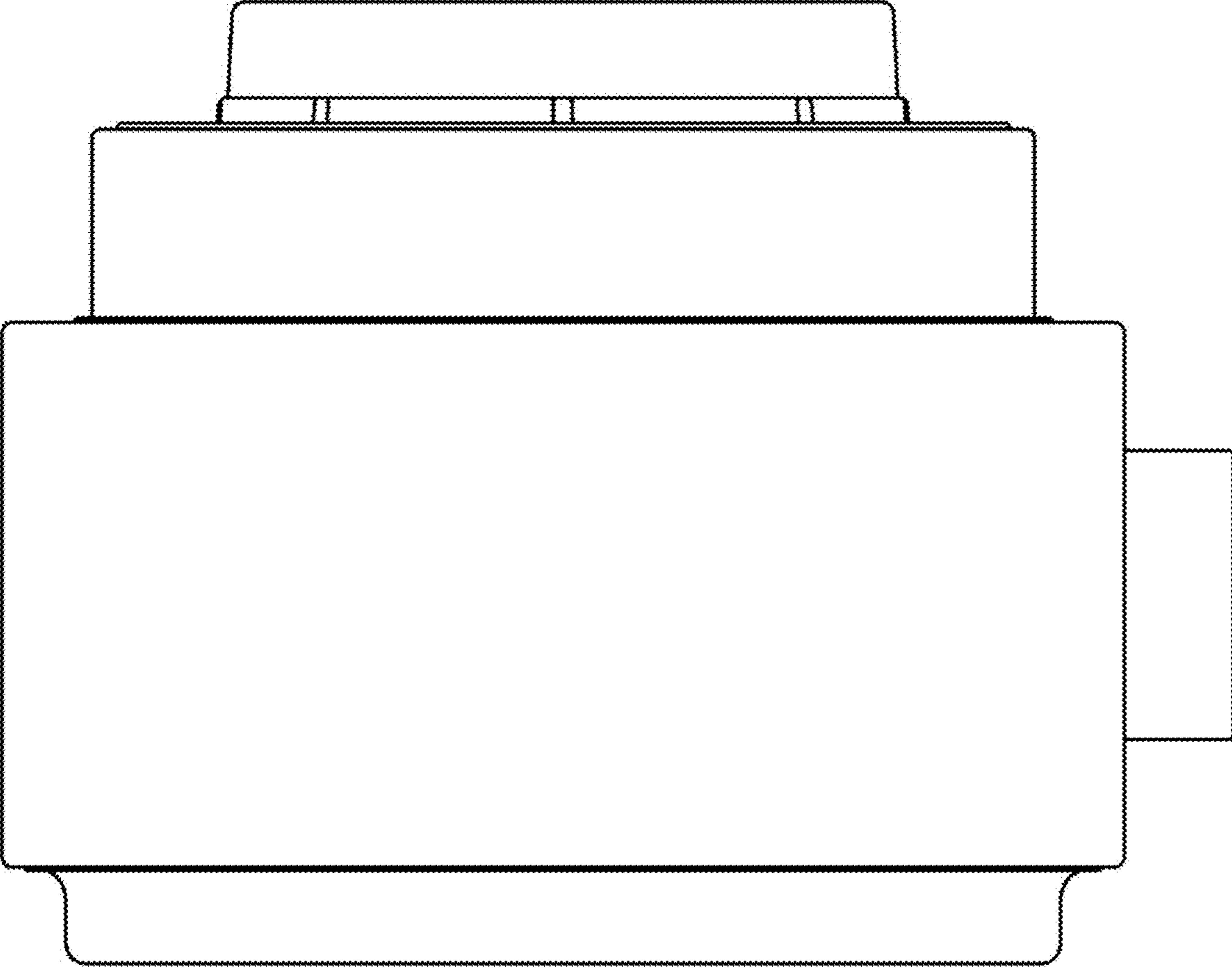
1.2



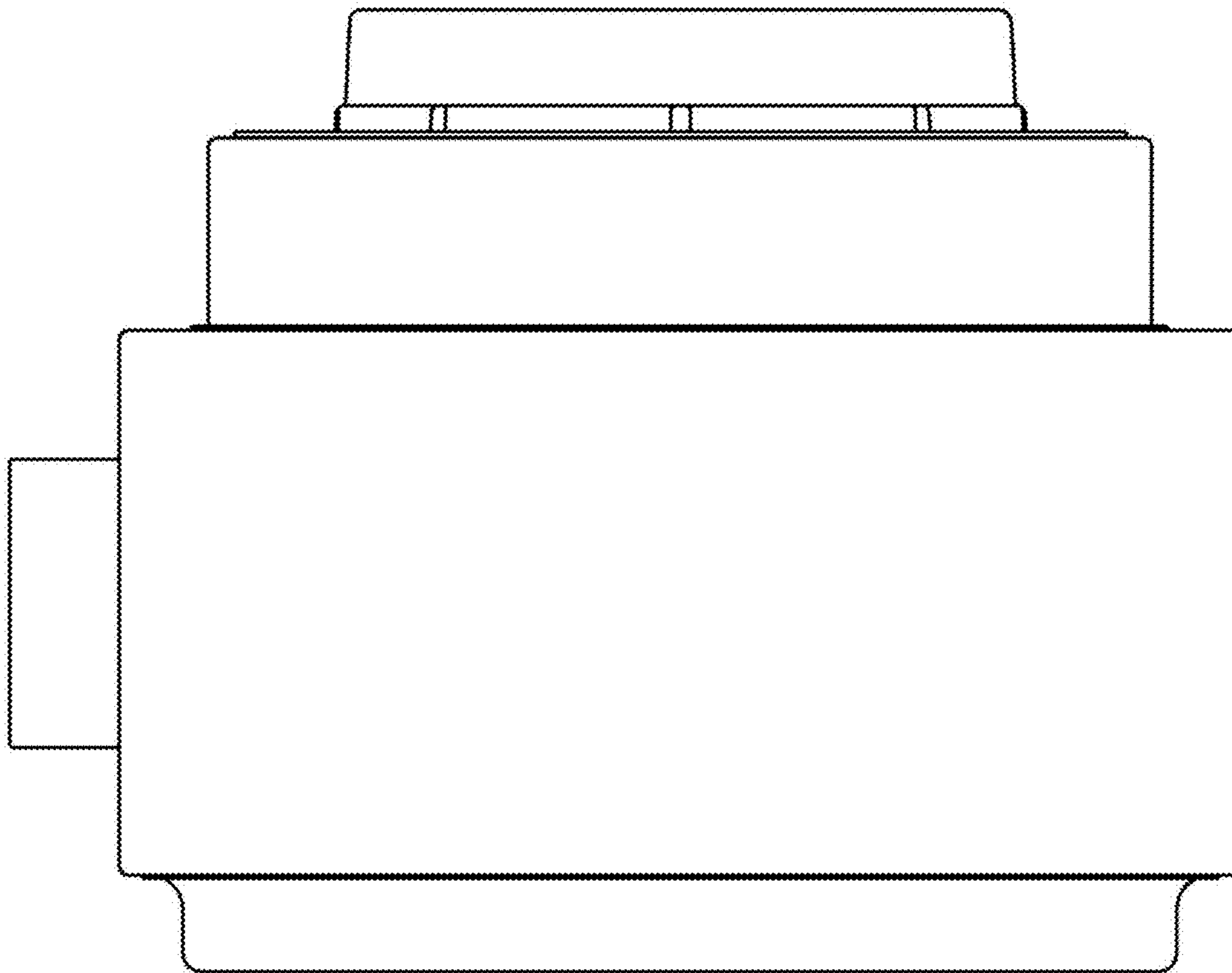
1.3



1.4

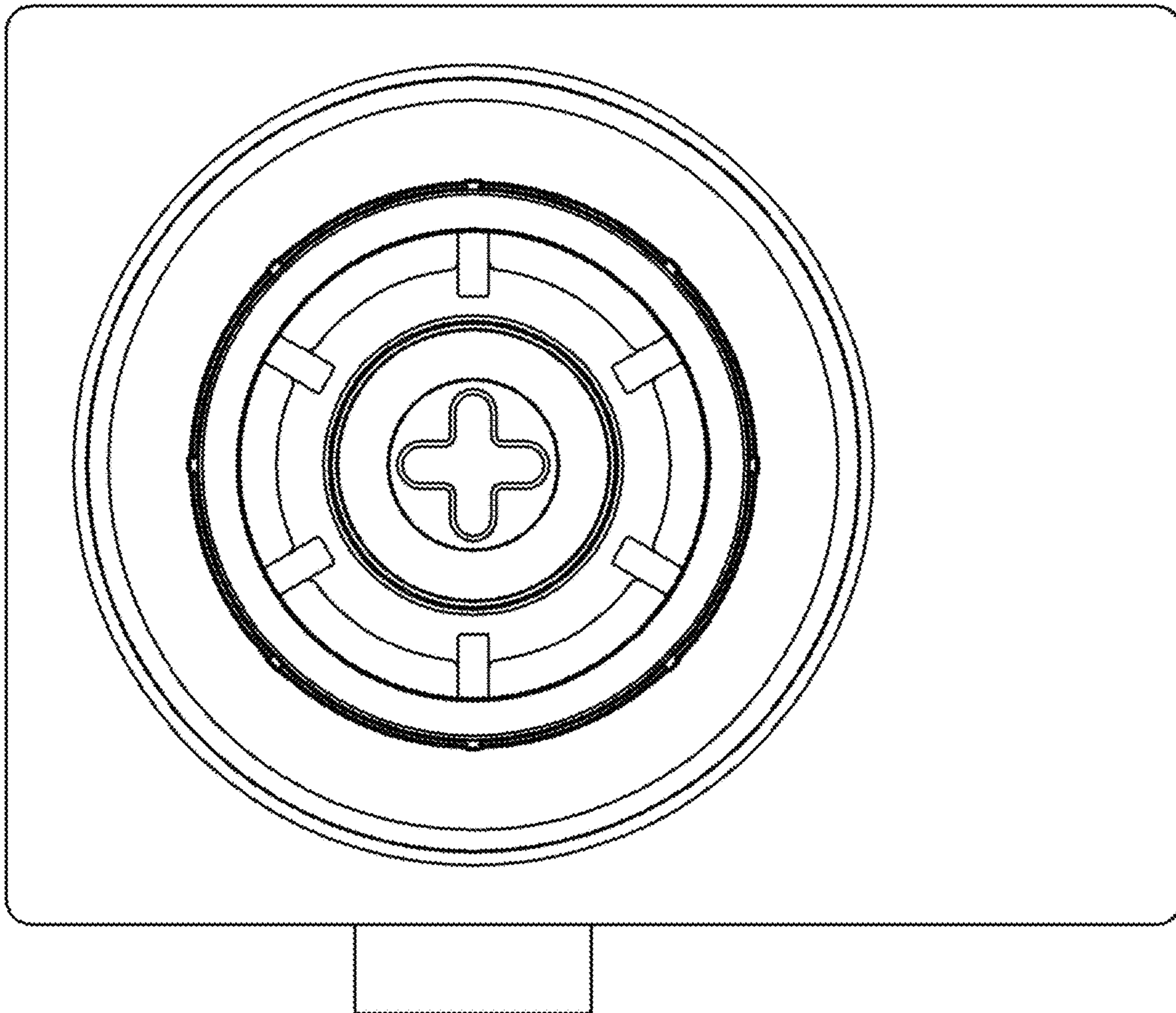


1.5

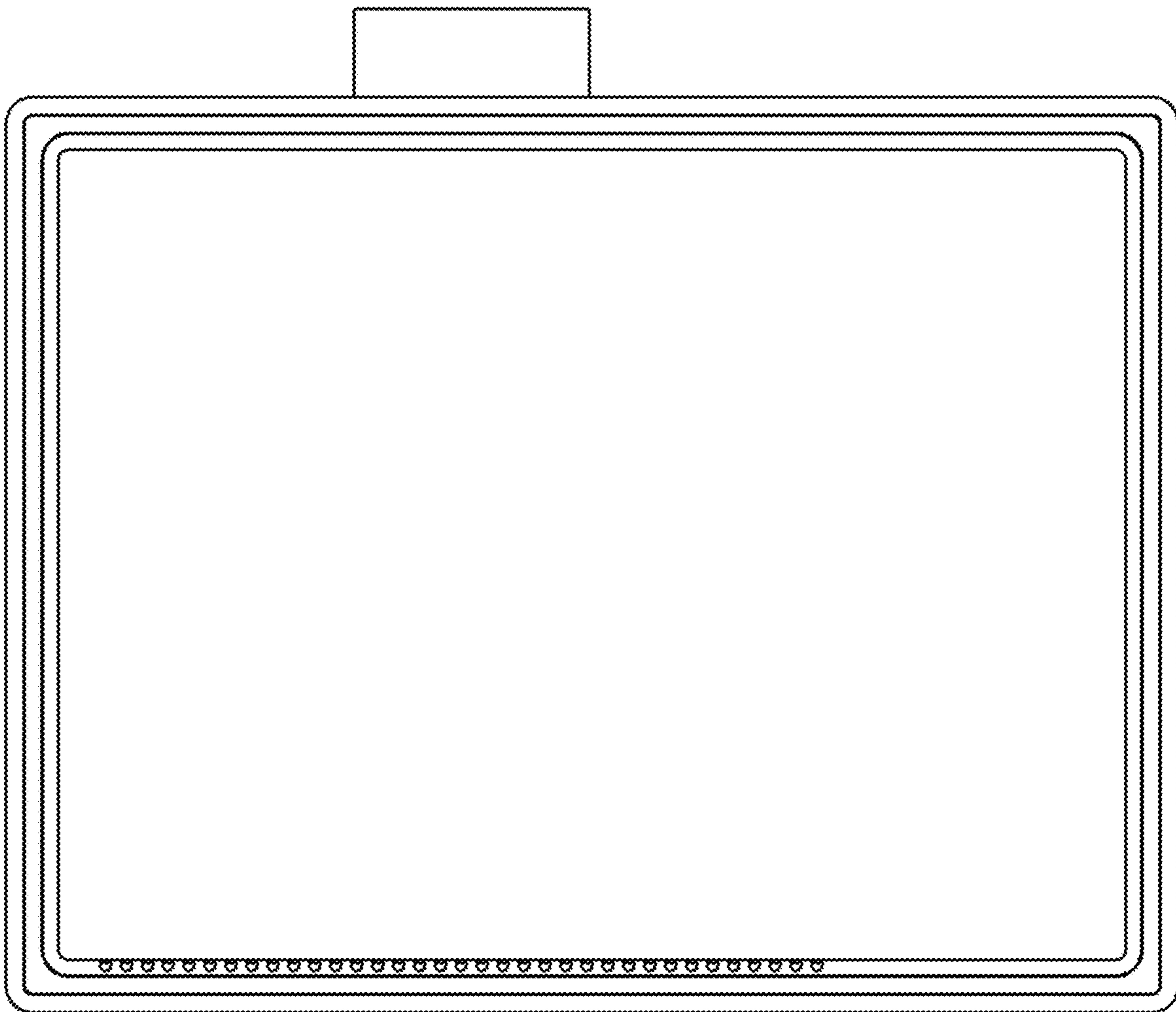




1.6



1.7





1.8

