



US00D859063S

(12) **United States Design Patent**
Lee et al.

(10) **Patent No.:** **US D859,063 S**

(45) **Date of Patent:** **** Sep. 10, 2019**

(54) **BLENDER**

CPC B01F 2215/0006; B01F 3/04453; A47J 43/07; A47J 43/10

(71) Applicant: **LG ELECTRONICS INC.**, Seoul (KR)

See application file for complete search history.

(72) Inventors: **Donghwan Lee**, Seoul (KR); **Joogyeon Kim**, Seoul (KR); **Jaecil Bae**, Seoul (KR); **Jaesoek Seong**, Seoul (KR); **Junghwan Lee**, Seoul (KR)

(56) **References Cited**

U.S. PATENT DOCUMENTS

D769,061 S *	10/2016	Diderotto	D7/376
D780,507 S *	3/2017	Barquin	D7/376
D811,806 S *	3/2018	Bock	D7/386
D817,082 S *	5/2018	Lee	D7/386
D820,033 S *	6/2018	Zhang	D7/378
D828,080 S *	9/2018	Ou	D7/376
D844,374 S *	4/2019	McConnell	D7/386

(73) Assignee: **LG ELECTRONICS INC.**, Seoul (KR)

* cited by examiner

(**) Term: **15 Years**

Primary Examiner — Michael A. Pratt

(21) Appl. No.: **35/505,309**

(74) *Attorney, Agent, or Firm* — Birch, Stewart, Kolasch & Birch, LLP

(22) Filed: **Jan. 11, 2018**

(80) **Hague Agreement Data**

Int. Filing Date: **Jan. 11, 2018**

Int. Reg. No.: **DM/099282**

Int. Reg. Date: **Jan. 11, 2018**

Int. Reg. Pub. Date: **Jul. 13, 2018**

(57) **CLAIM**

The ornamental design for a blender, as shown and described.

(30) **Foreign Application Priority Data**

Jul. 12, 2017 (KR) 30-2017-0032109

(51) **LOC (12) Cl.** **31-00**

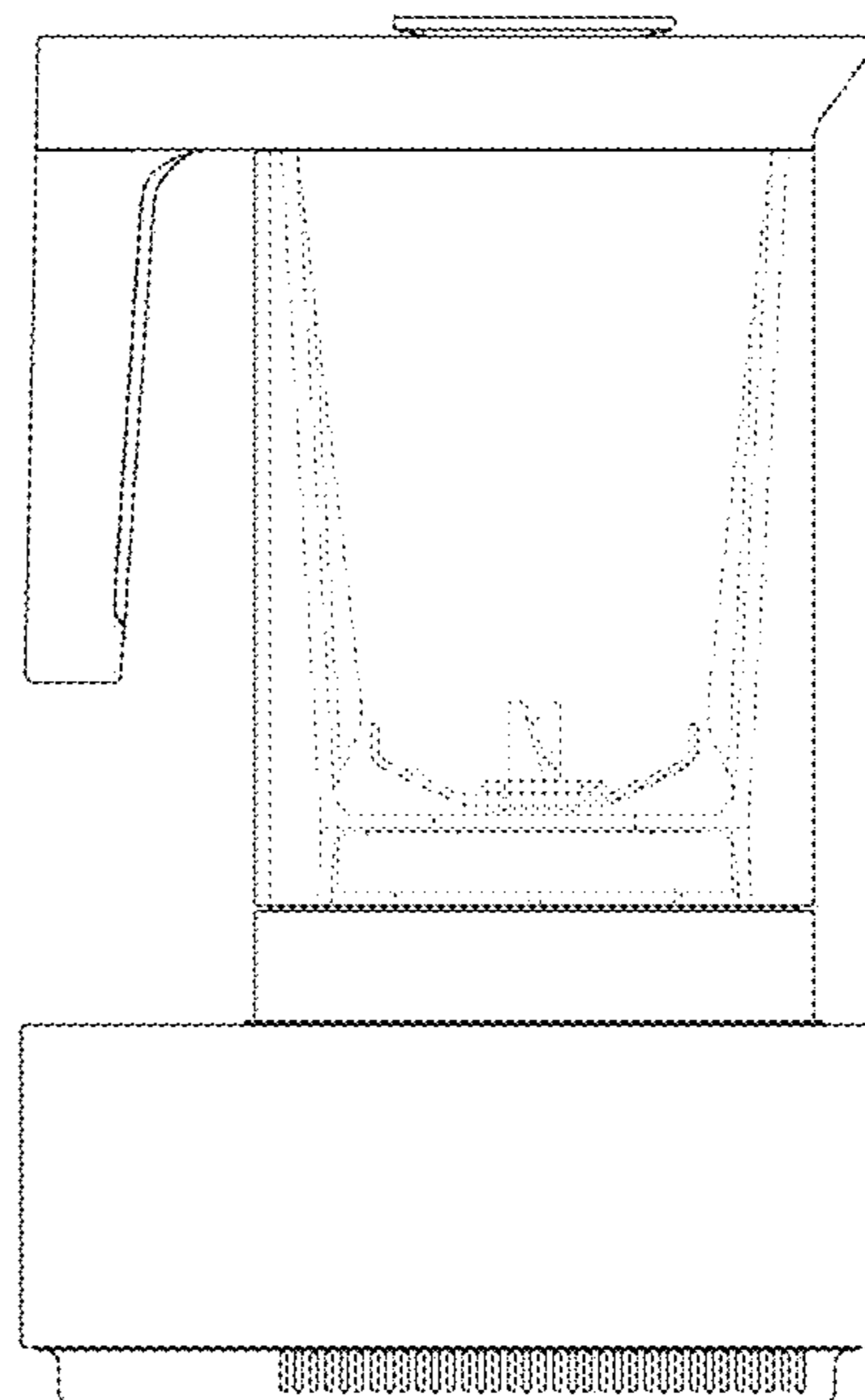
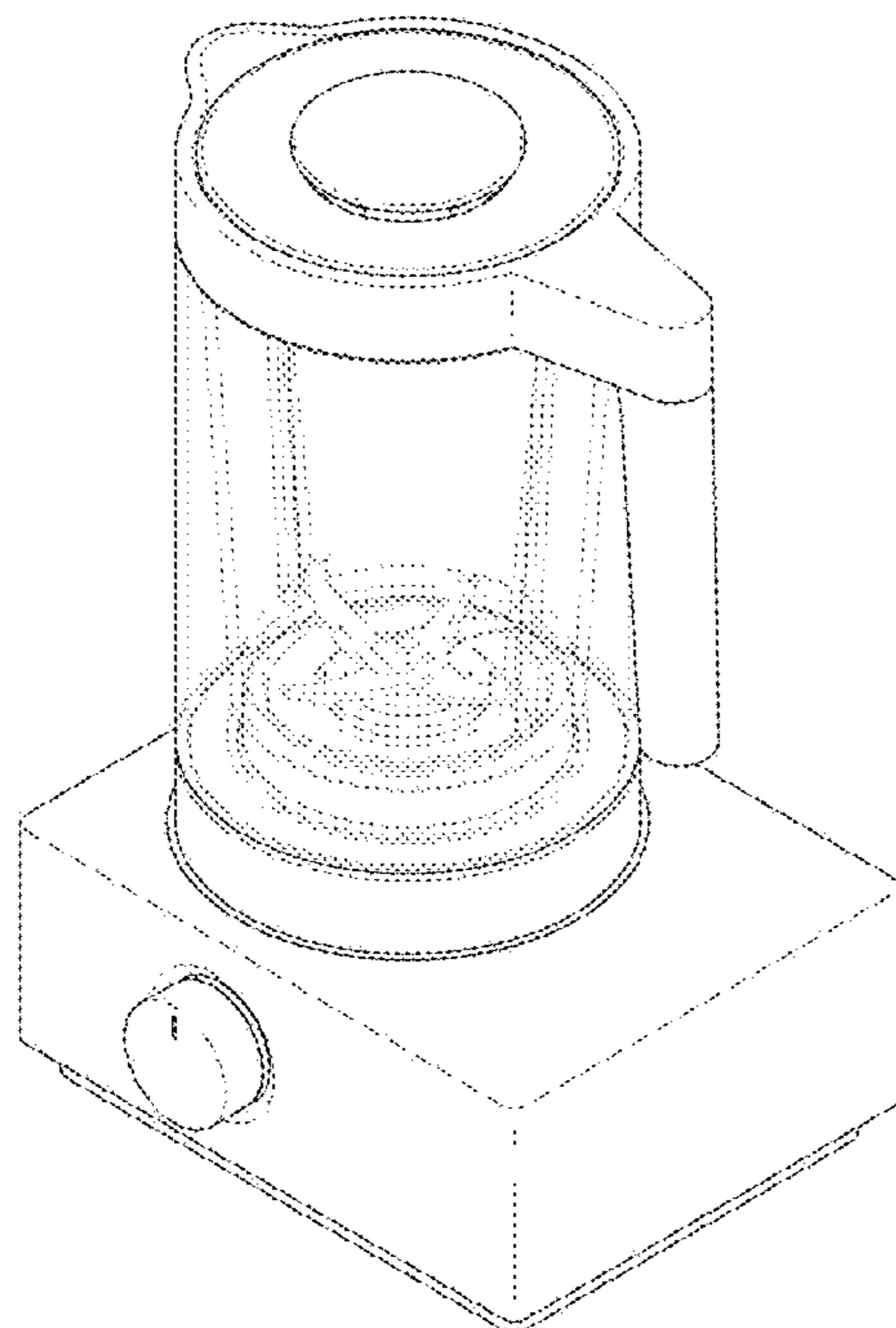
(52) **U.S. Cl.**
USPC **D7/378**

(58) **Field of Classification Search**
USPC D7/372, 376-386, 412-413

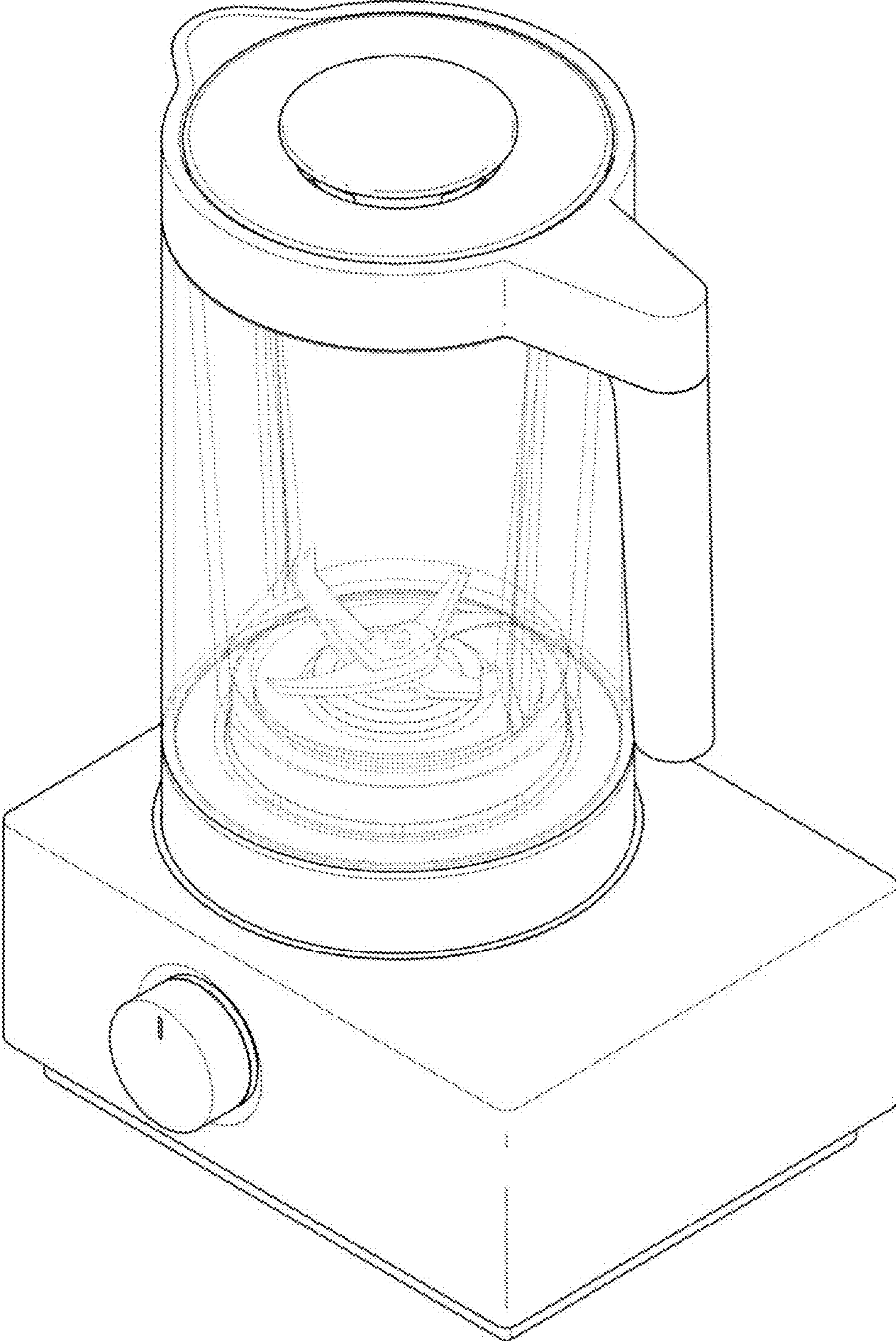
DESCRIPTION

- 1. Blender
- 1.1 : Perspective
- 1.2 : Front
- 1.3 : Back
- 1.4 : Left
- 1.5 : Right
- 1.6 : Top
- 1.7 : Bottom

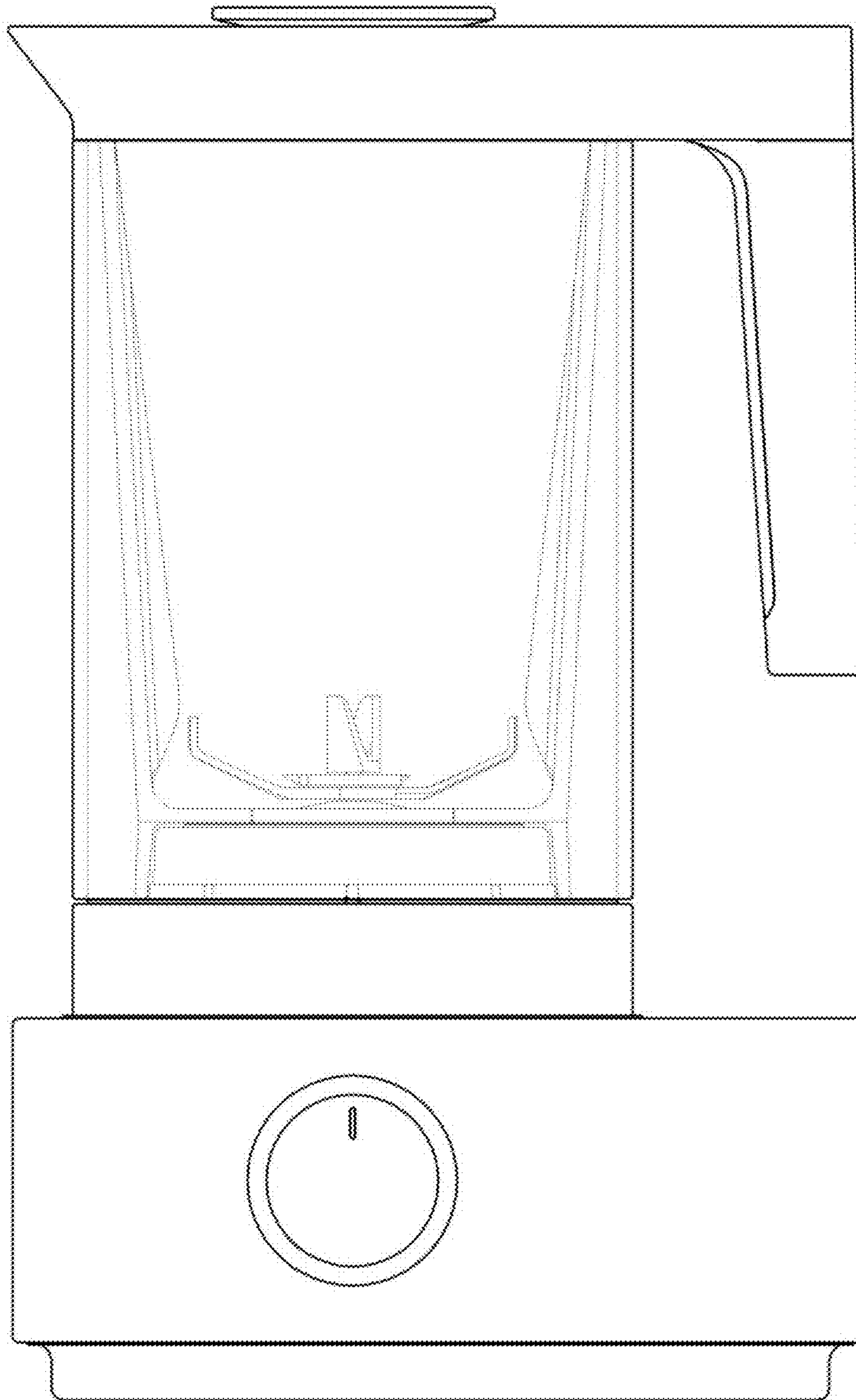
1 Claim, 7 Drawing Sheets



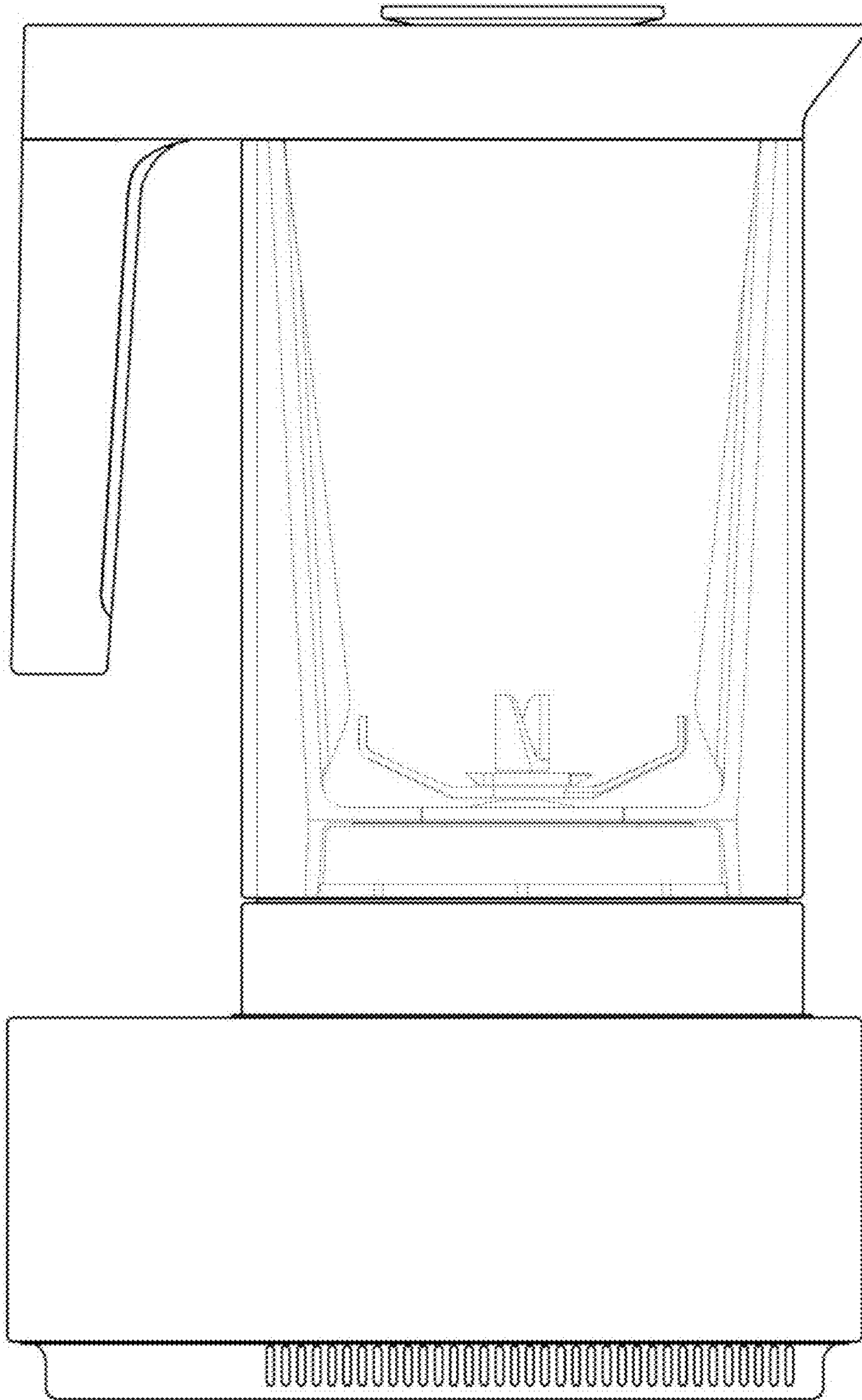
1.1



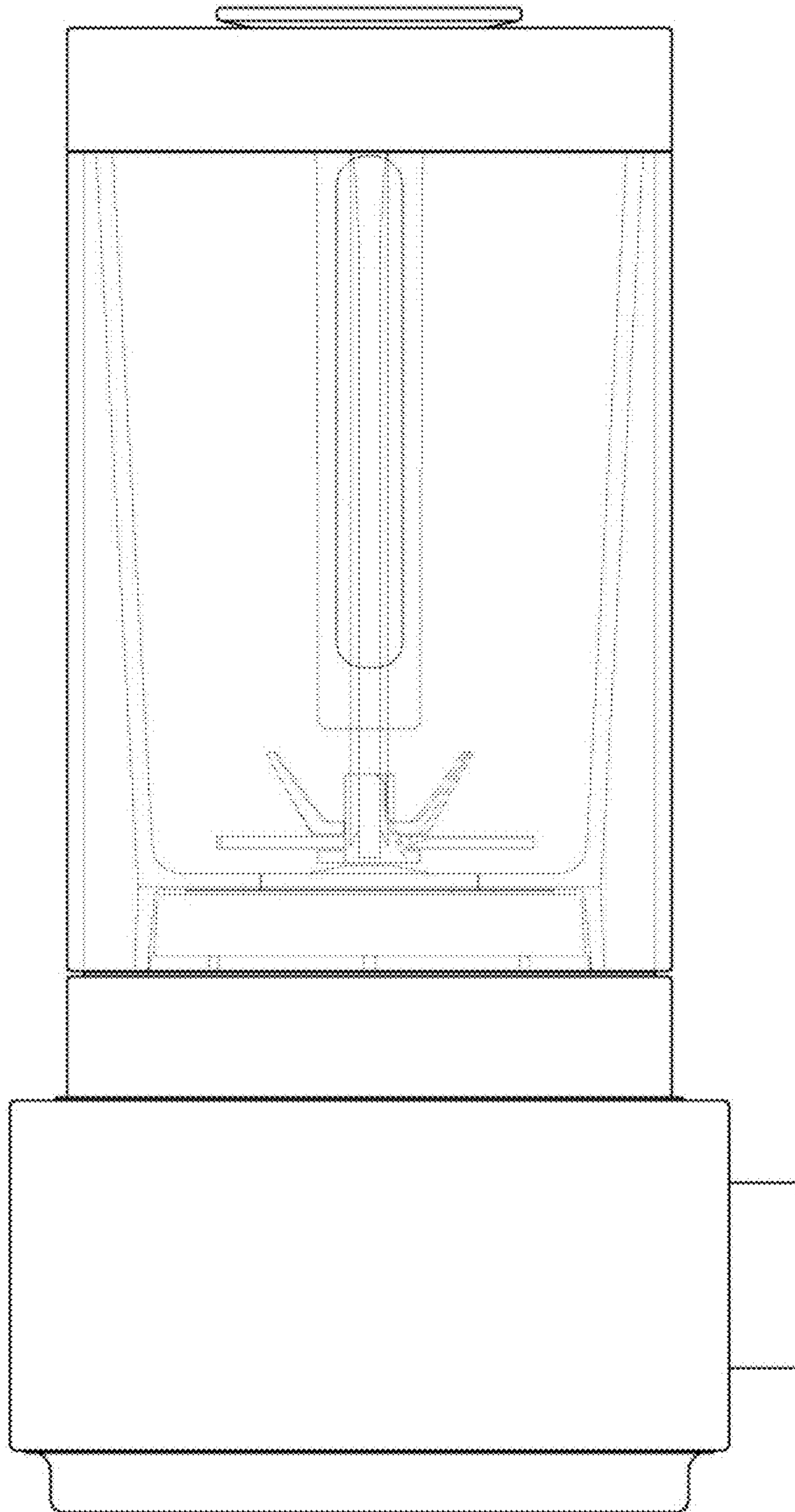
1.2



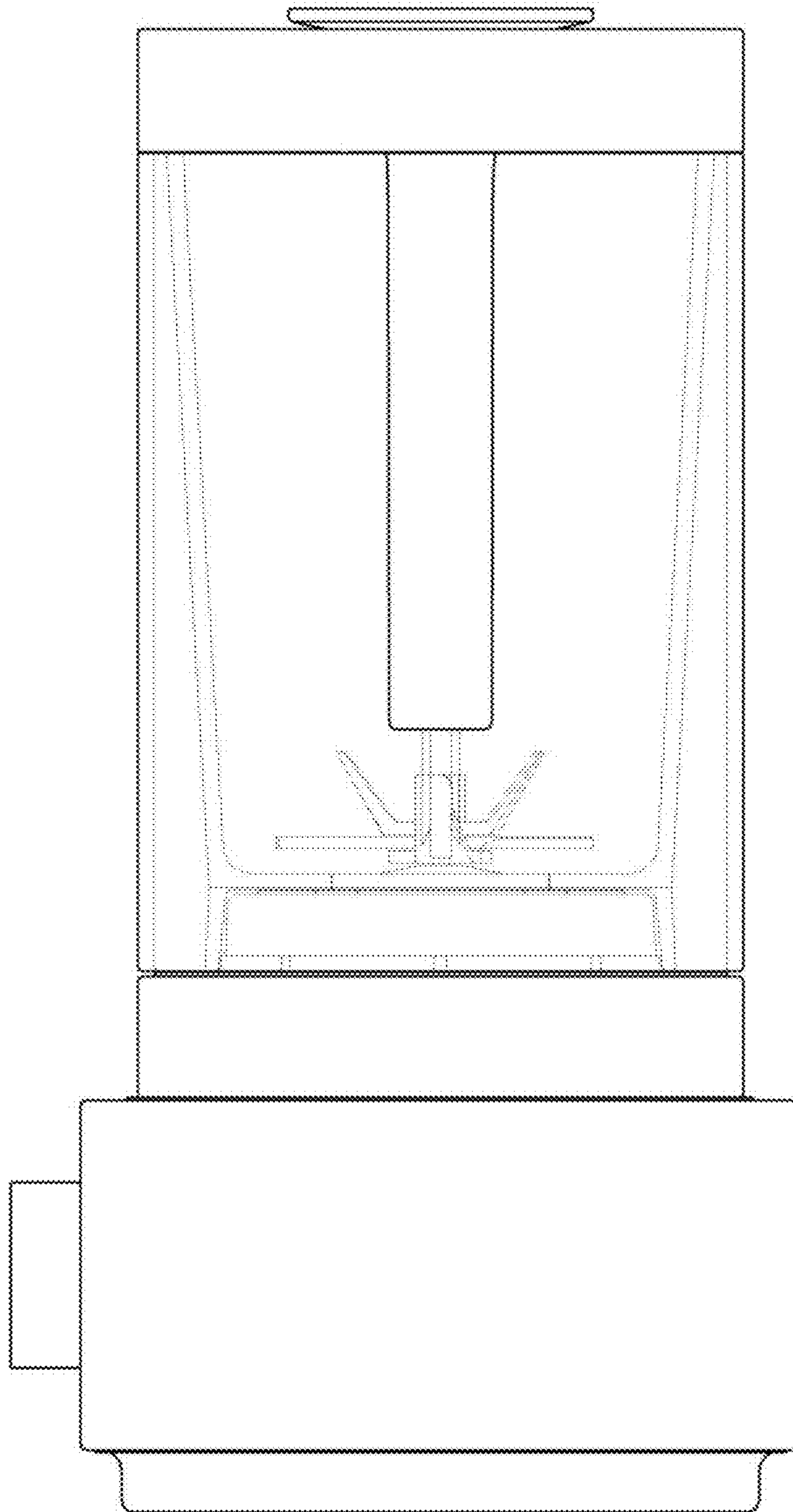
1.3



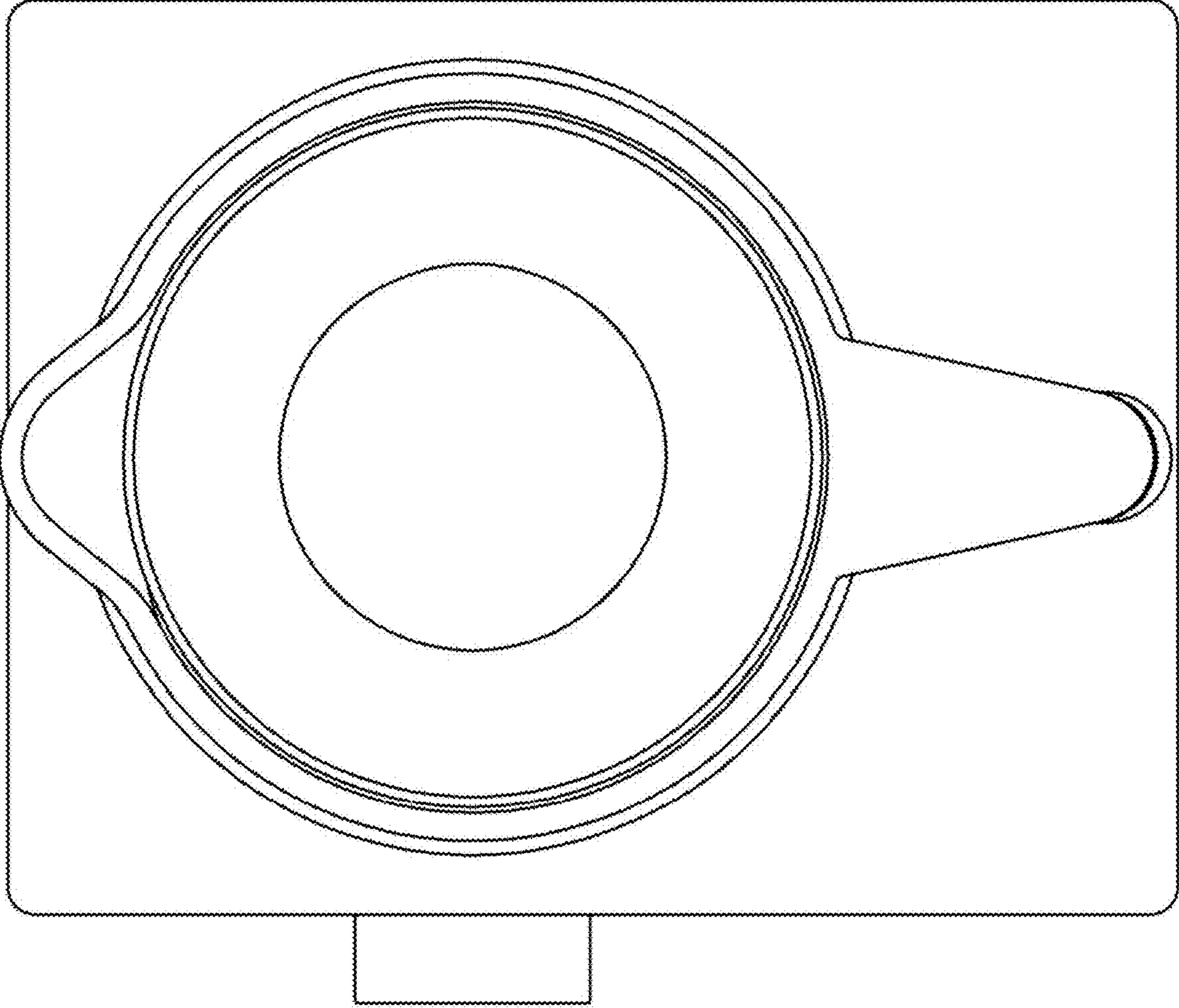
1.4



1.5



1.6



1.7

