



US00D859061S

(12) **United States Design Patent** (10) **Patent No.:** **US D859,061 S**
Hollinger (45) **Date of Patent:** **** Sep. 10, 2019**

- (54) **SMOKELESS GRILL**
- (71) Applicant: **E. MISHAN & SONS, INC.**, New York, NY (US)
- (72) Inventor: **Fred Hollinger**, Monroe Township, NJ (US)
- (73) Assignee: **E. Mishan & Sons, Inc.**, New York, NY (US)
- (**) Term: **15 Years**
- (21) Appl. No.: **29/679,004**
- (22) Filed: **Jan. 31, 2019**
- (51) **LOC (12) Cl.** **07-02**
- (52) **U.S. Cl.**
USPC **D7/362; D7/352; D7/409**
- (58) **Field of Classification Search**
USPC D7/323, 332, 335-337, 354-355, D7/359-364, 367, 387-388, 402, 407-409
CPC A21B 2/00; A21B 3/00; A21B 3/13; A21B 3/15; A21B 5/00; A21B 5/02; A23N 12/06; A23N 12/08; A23N 12/10; A47J 37/00; A47J 37/04; A47J 37/041; A47J 37/042; A47J 37/06; A47J 37/0676; A47J 37/0688; A47J 37/0694; A47J 37/07; A47J 37/0704; A47J 37/10; A47J 47/20; A47J 2037/00; A47J 2037/06; A47J 2037/0611; A47J 2037/07; A47J 2037/0786; A47J 2037/0795; F24C 15/10; F24C 15/12; F24C 15/14; F24C 15/16; F24C 15/164; F24C 15/18
See application file for complete search history.

- D286,494 S * 11/1986 Lastuck D7/363
- 5,105,725 A 4/1992 Haglund
- D326,030 S 5/1992 Silver
- 5,237,914 A 8/1993 Carstensen
- D351,083 S 10/1994 O'Brien
- 5,355,779 A 10/1994 O'Brien et al.
- D369,059 S 4/1996 Carnovali
- 5,524,528 A 6/1996 Yeh
- 5,546,851 A * 8/1996 Goto A47J 37/0676
99/446
- D377,134 S 1/1997 Des Touche
- D380,342 S 7/1997 Edmonds
- 5,884,555 A 3/1999 Chang
- D415,927 S 11/1999 Weber
- RE36,464 E 12/1999 O'Brien et al.
- 6,024,014 A 2/2000 Kasai
- D429,946 S 8/2000 Lee
- D431,152 S 9/2000 Lee

(Continued)

FOREIGN PATENT DOCUMENTS

- WO 2015043976 A1 4/2015
- WO 2015044164 A1 4/2015

Primary Examiner — Ricky Pham
(74) *Attorney, Agent, or Firm* — Notaro, Michalos & Zaccaria P.C.

(57) **CLAIM**

The ornamental design for a smokeless grill, as shown and described.

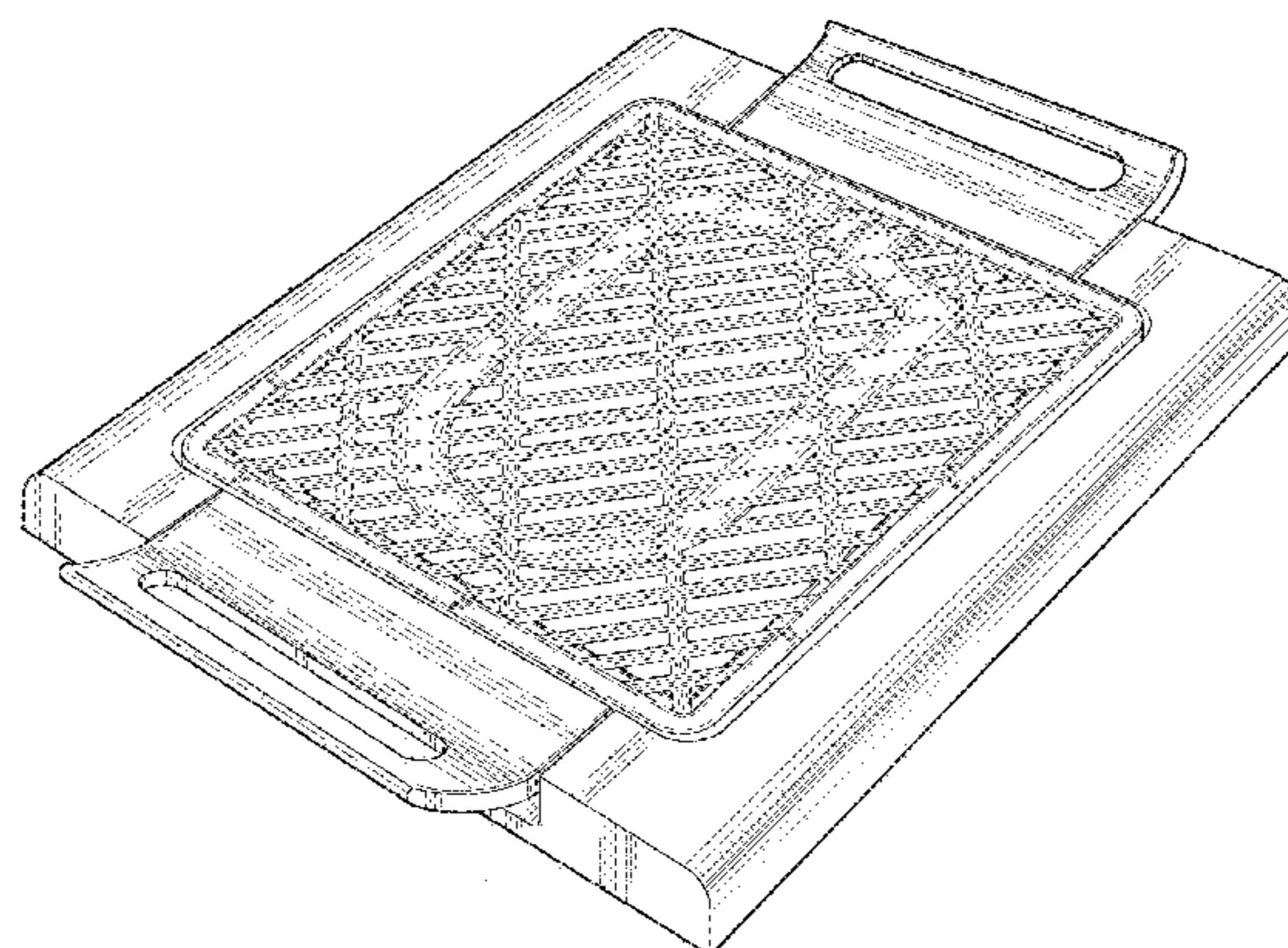
DESCRIPTION

FIG. 1 is a front, left, top perspective view of a smokeless grill showing my design therefor;
FIG. 2 is a left side elevational view thereof;
FIG. 3 is a right side elevational view thereof;
FIG. 4 is a front elevational view thereof;
FIG. 5 is a rear elevational view thereof;
FIG. 6 is a top plan view thereof; and,
FIG. 7 is a bottom plan view thereof.

1 Claim, 5 Drawing Sheets

(56) **References Cited**
U.S. PATENT DOCUMENTS

- D192,671 S * 4/1962 Lerner D7/363
- D196,285 S 9/1963 Farber et al.
- D204,779 S 5/1966 Painter



(56)

References Cited

U.S. PATENT DOCUMENTS

D432,852 S 10/2000 Mosher, II et al.
 6,131,505 A * 10/2000 Lin A47J 37/041
 403/386
 D436,796 S * 1/2001 Kalina D7/363
 D437,183 S 2/2001 Wong
 D441,250 S 5/2001 Choi
 D444,667 S 7/2001 Wong
 6,262,399 B1 7/2001 Lau
 D452,630 S 1/2002 Choi
 D457,393 S 5/2002 Lewis
 D463,202 S 9/2002 Smith
 6,472,644 B1 * 10/2002 Wu A47J 37/0676
 219/450.1
 D473,419 S 4/2003 Garman
 D484,737 S 1/2004 Bodum
 D497,769 S 11/2004 Steinberg
 D504,274 S * 4/2005 Ceccon D7/332
 D505,044 S 5/2005 Hei
 6,930,288 B1 8/2005 Lin
 7,475,630 B2 1/2009 Steinberg et al.
 D588,399 S 3/2009 Vrbaneck
 7,523,697 B2 * 4/2009 Hedrington A47J 37/0676
 219/452.11
 D593,791 S * 6/2009 Joensson D7/367
 D611,762 S 3/2010 Liu et al.
 D618,047 S 6/2010 Seymour
 7,810,484 B2 10/2010 Schlosser et al.
 7,810,487 B2 10/2010 Johnston
 D644,059 S 8/2011 Bodum
 8,037,879 B2 10/2011 Murrin et al.

D655,804 S 3/2012 Platt
 D660,640 S 5/2012 De'Longhi
 D676,272 S 2/2013 Liu
 D685,605 S * 7/2013 Xin D7/352
 D697,752 S 1/2014 De'Longhi et al.
 D702,500 S 4/2014 Ishii et al.
 D706,577 S 6/2014 Funnell, II et al.
 D723,324 S * 3/2015 Feriola D7/354
 D726,494 S 4/2015 Mazoyer
 D730,108 S 5/2015 Louloudakis et al.
 D730,109 S 5/2015 Louloudakis et al.
 D730,110 S 5/2015 Louloudakis et al.
 D732,336 S 6/2015 Mazoyer
 D736,029 S 8/2015 Huber et al.
 D757,493 S 5/2016 Lee
 D758,785 S 6/2016 Verbrugge
 D760,018 S * 6/2016 Koszylko D7/352
 D774,367 S 12/2016 Neal
 D793,161 S 8/2017 Fullmer
 9,814,352 B2 11/2017 Ahmed
 D804,898 S 12/2017 Hollinger
 D804,899 S 12/2017 Hollinger
 D806,471 S 1/2018 Fullmer
 D811,797 S 3/2018 Mansueto
 D812,425 S 3/2018 Reischmann et al.
 D813,601 S 3/2018 Hollinger
 D815,491 S 4/2018 Hollinger
 D820,042 S 6/2018 Hollinger
 D846,330 S * 4/2019 Hong D7/337
 2003/0022052 A1 1/2003 Kearl
 2005/0138906 A1 6/2005 Kubokawa et al.
 2008/0087269 A1 4/2008 Kang
 2016/0227964 A1 8/2016 Van Zutphen et al.

* cited by examiner

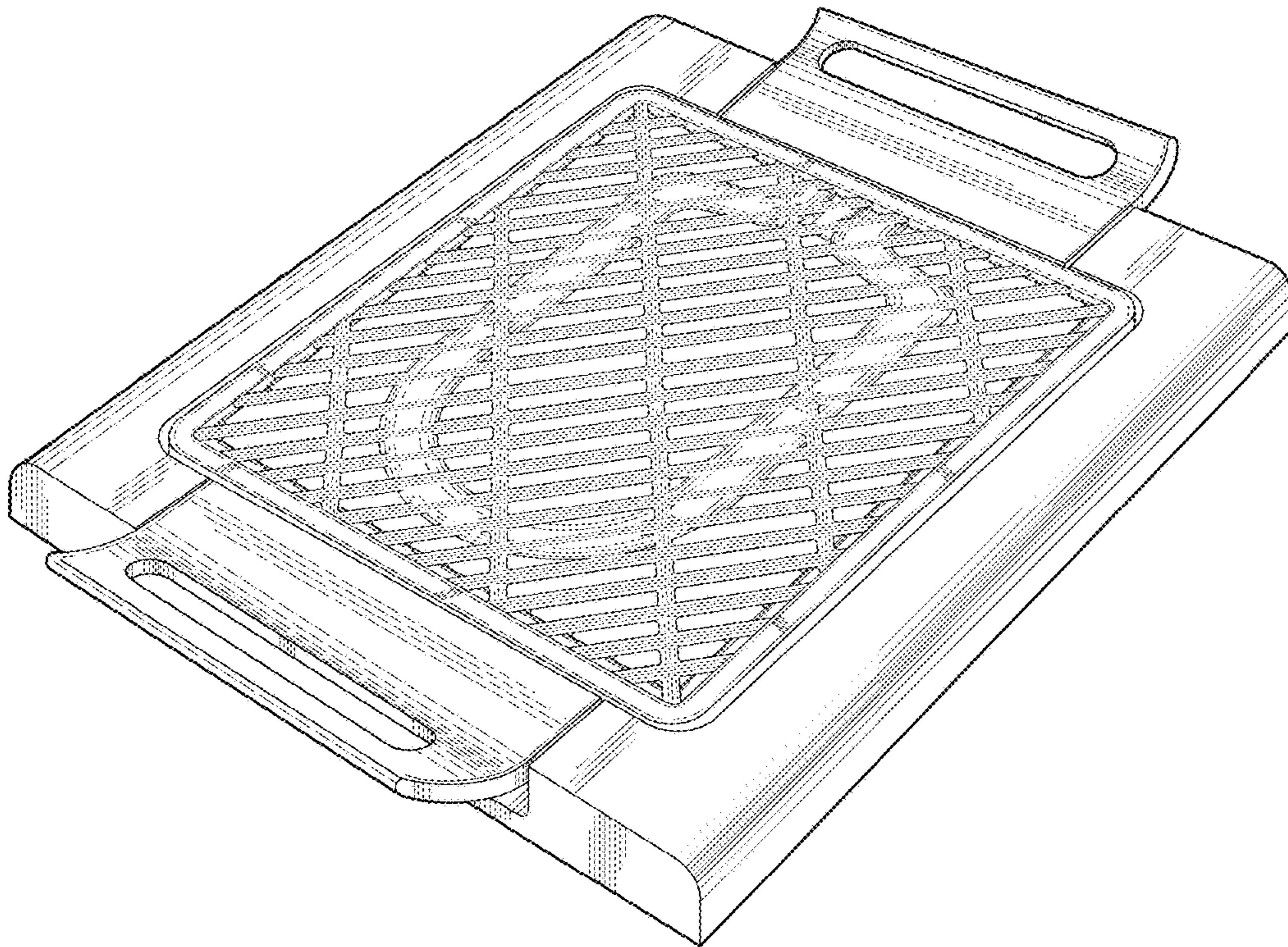


Fig. 1

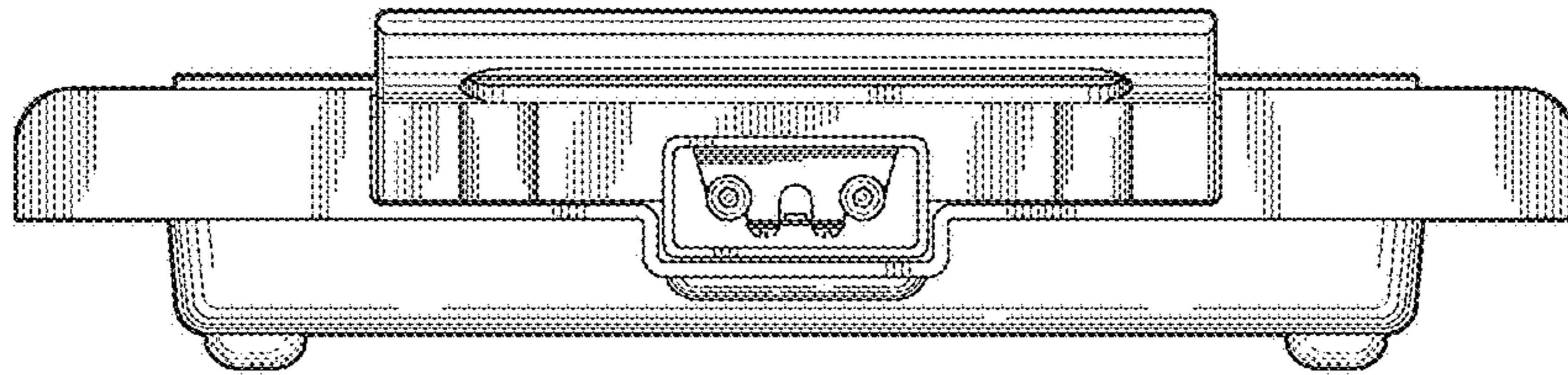


Fig. 2

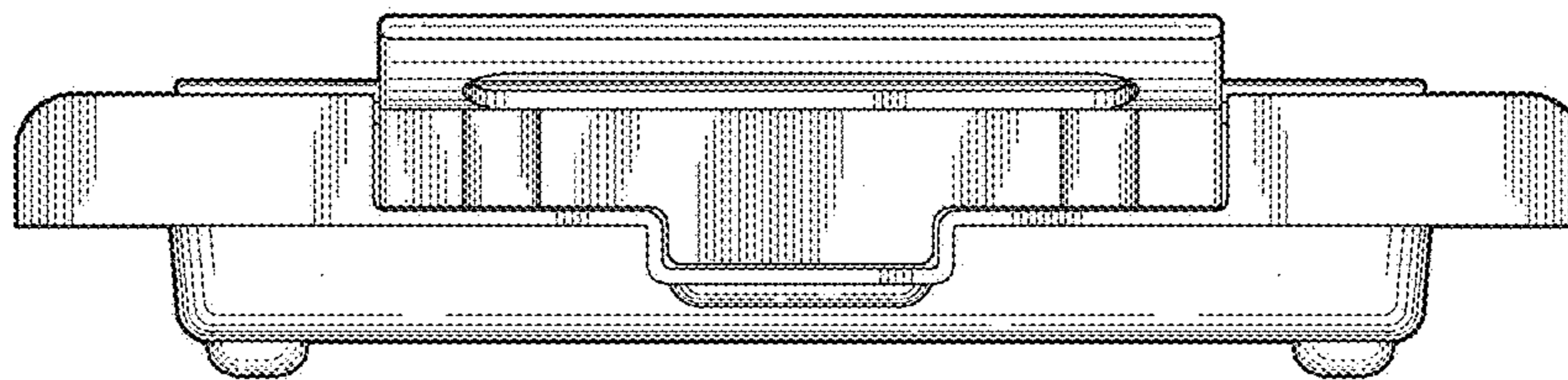


Fig. 3

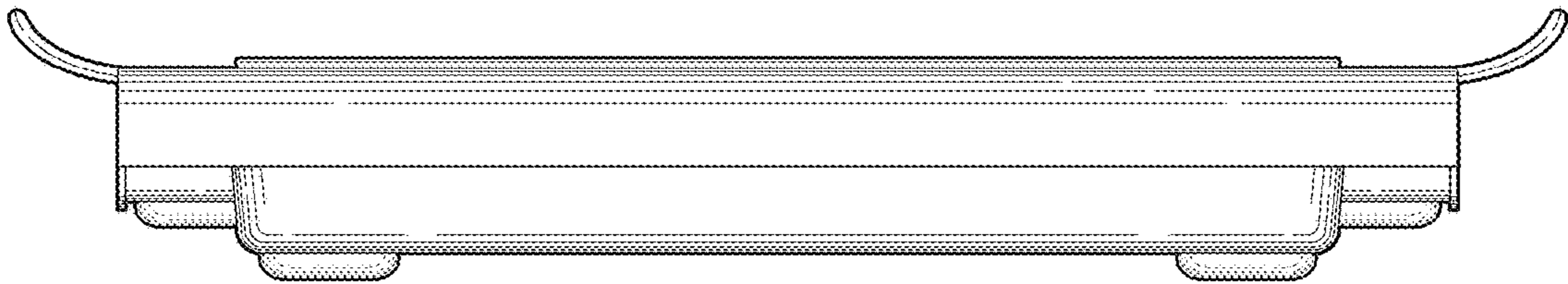


Fig. 4

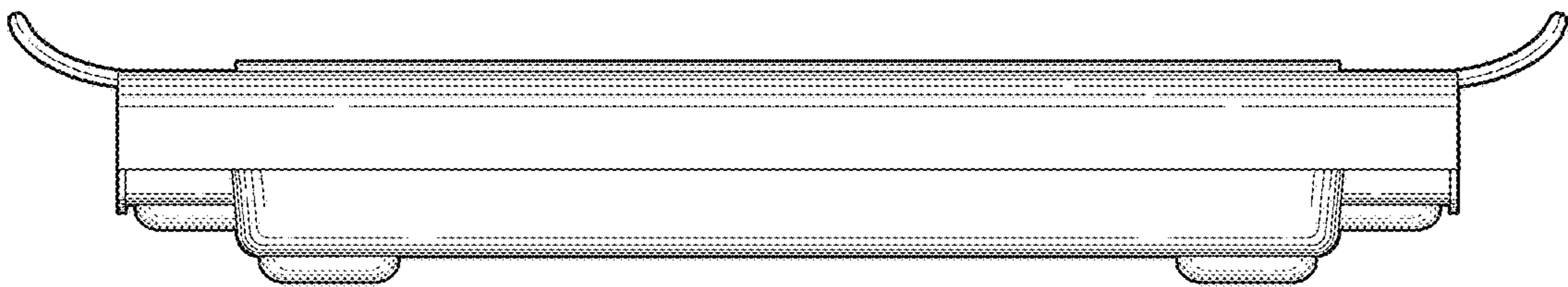


Fig. 5

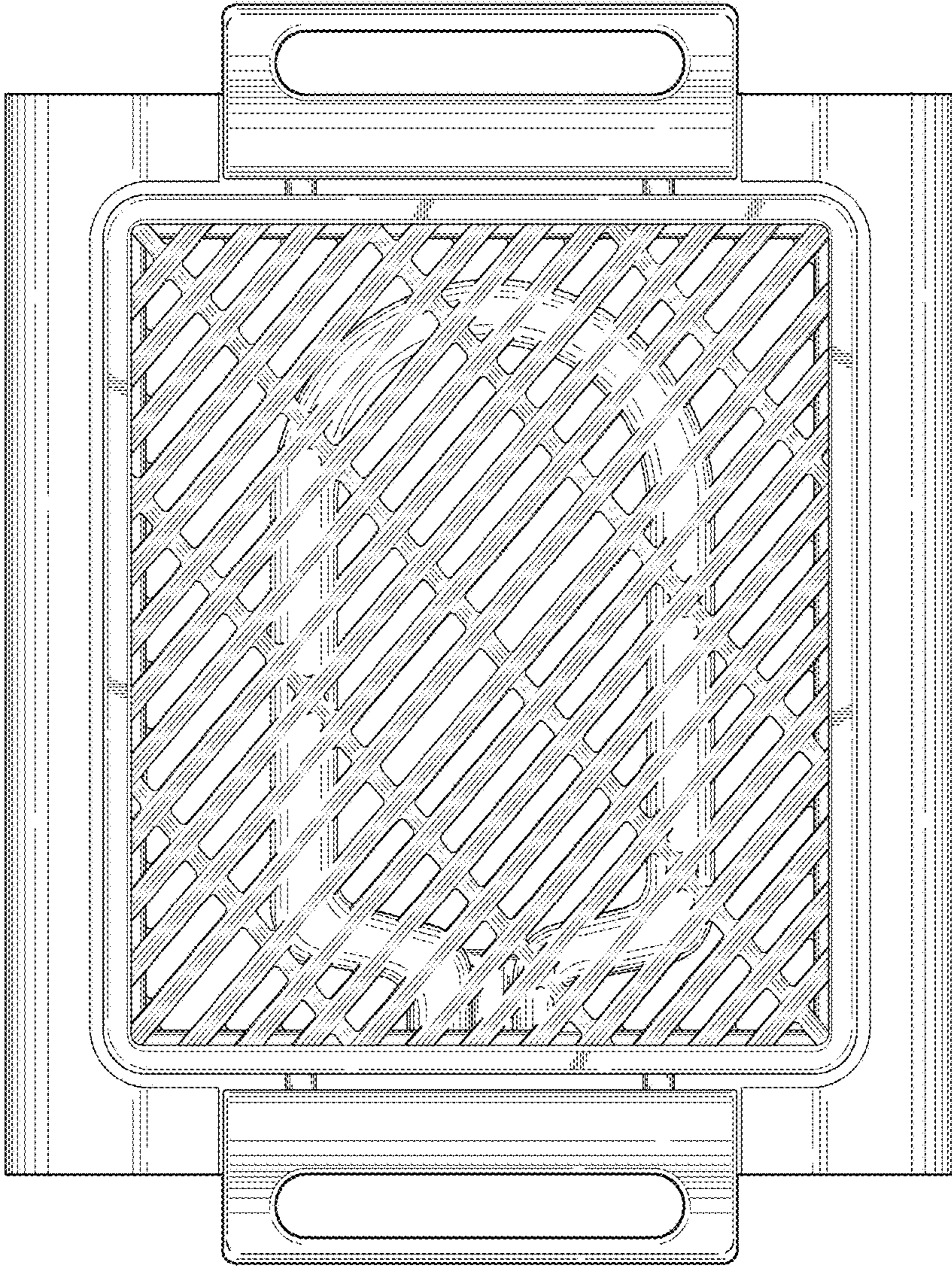


Fig. 6

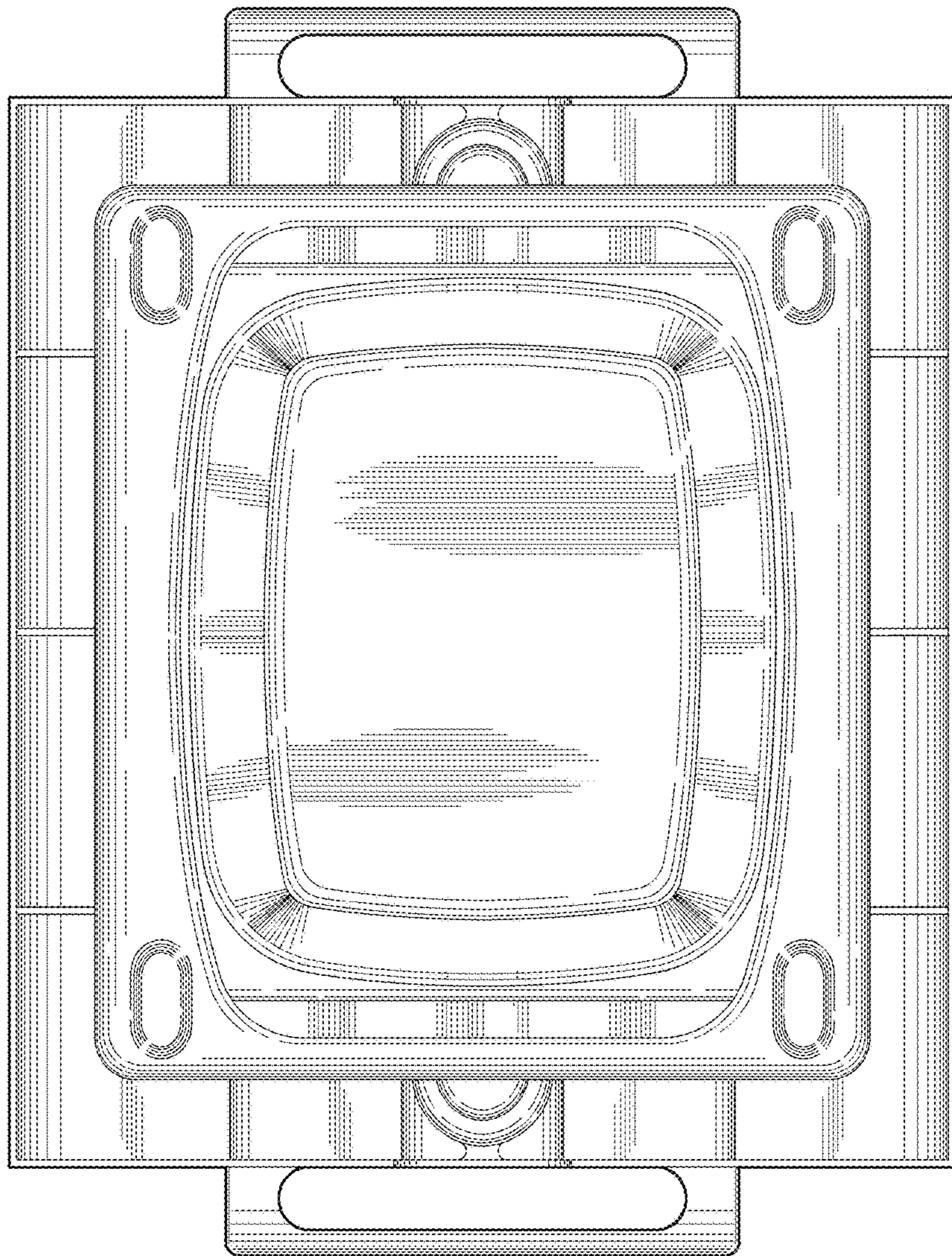


Fig. 7