



US00D859060S

(12) **United States Design Patent**  
**Mirchandani et al.**

(10) **Patent No.:** **US D859,060 S**

(45) **Date of Patent:** **\*\* \*Sep. 10, 2019**

(54) **COOKING PAN**

FOREIGN PATENT DOCUMENTS

(71) Applicant: **Tristar Products, Inc.**, Fairfield, NJ (US)

CA 99505 A 6/1906  
CN 203776009 U 8/2014

(Continued)

(72) Inventors: **Keith Mirchandani**, Fairfield, NJ (US);  
**Paul McGrath**, Flanders, NJ (US);  
**James Mitrik**, Long Pond, PA (US);  
**Alejandro G. Lozano**, Guttenberg, NJ (US)

OTHER PUBLICATIONS

Copper Chef 9" Perfect Loaf Pan, posted May 31, 2017 [online],  
retrieved Jul. 31, 2018, retrieved from internet, <<https://www.amazon.com/Copper-Chef-Perfect-Loaf-BOGO/dp/B071W6XDLV>>.\*

(73) Assignee: **Tristar Products, Inc.**, Fairfield, NJ (US)

*Primary Examiner* — Barbara Fox

*Assistant Examiner* — Messina L Smith

(\*) Notice: This patent is subject to a terminal disclaimer.

(74) *Attorney, Agent, or Firm* — Bakos & Kritzer

(\*\*) Term: **15 Years**

(21) Appl. No.: **29/596,498**

(57) **CLAIM**

(22) Filed: **Mar. 8, 2017**

The ornamental design for a cooking pan, as shown and described.

**Related U.S. Application Data**

**DESCRIPTION**

(63) Continuation-in-part of application No. 29/596,213,  
filed on Mar. 6, 2017, now Pat. No. Des. 828,710, and  
(Continued)

(51) **LOC (12) Cl.** ..... **07-02**

(52) **U.S. Cl.**  
USPC ..... **D7/360**

(58) **Field of Classification Search**  
USPC ..... D7/301–303, 309, 319, 323, 328–330,  
D7/337, 347, 352–365, 367, 388, 399,  
(Continued)

FIG. 1 is a front perspective view of a cooking pan showing the new design;

FIG. 2 is a right side view of the cooking pan of FIG. 1.

FIG. 3 is a left side view of the cooking pan of FIG. 1.

FIG. 4 is a front view of the cooking pan of FIG. 1.

FIG. 5 is a rear view of the cooking pan of FIG. 1.

FIG. 6 is a top view of the cooking pan of FIG. 1.

FIG. 7 is a bottom view of the cooking pan of FIG. 1.

FIG. 8 is a top perspective view of the cooking pan of FIG. 1; and,

FIG. 9 is a bottom perspective view of the cooking pan of FIG. 1.

The broken line showings are included for the purpose of illustrating portions of the invention and form no part of the claimed design.

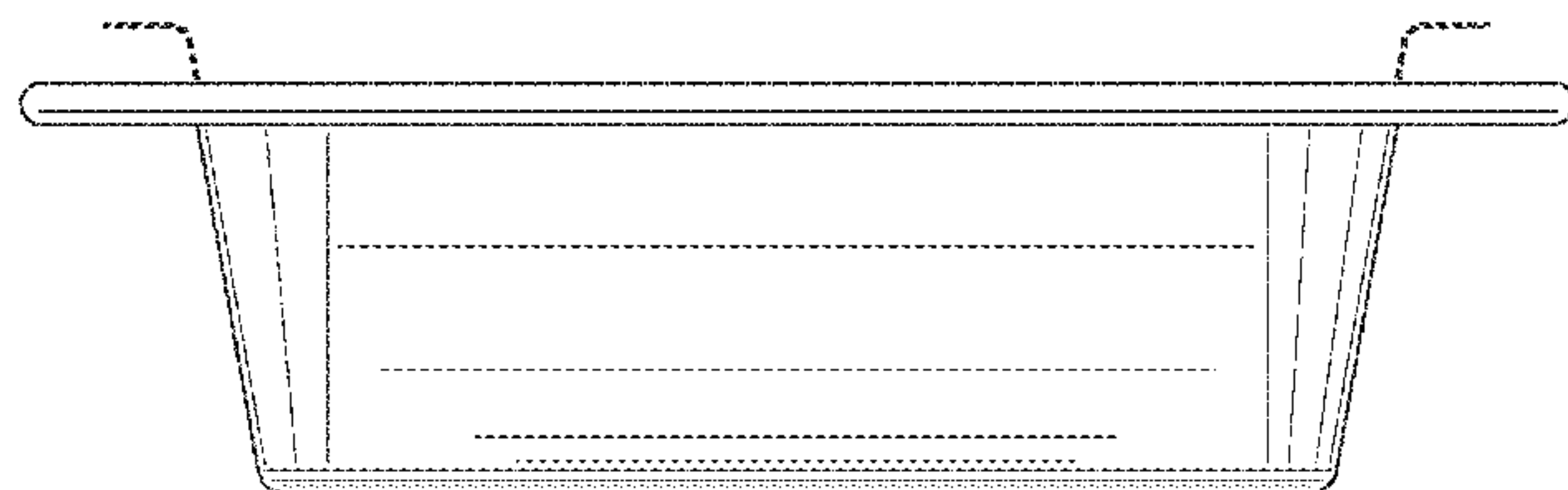
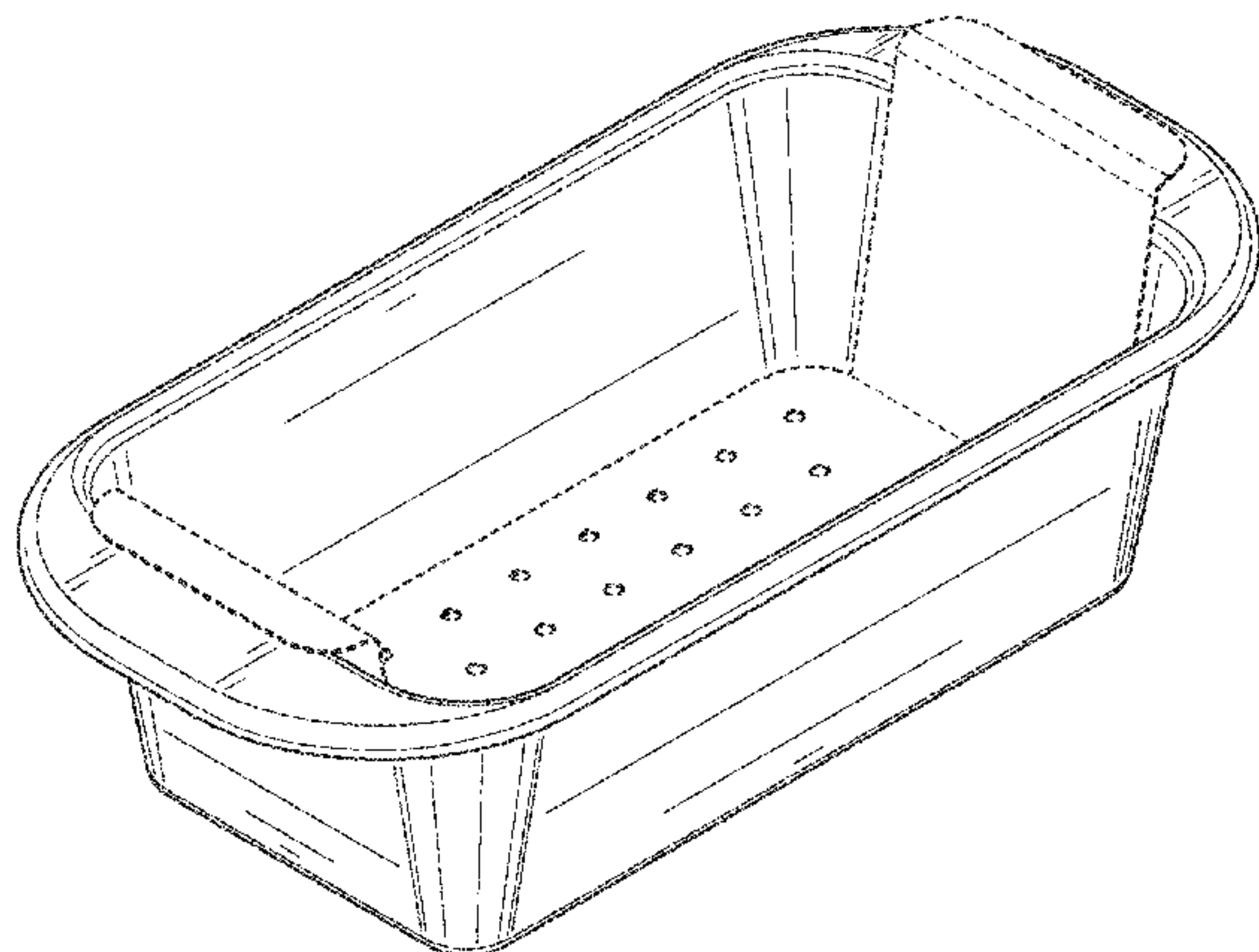
(56) **References Cited**

U.S. PATENT DOCUMENTS

1,461,974 A \* 7/1923 Driver ..... A21B 3/133  
249/117  
1,516,232 A \* 11/1924 Kratzer ..... A21B 3/134  
126/373.1

(Continued)

**1 Claim, 9 Drawing Sheets**



**Related U.S. Application Data**

a continuation-in-part of application No. 29/595,955, filed on Mar. 3, 2017, now Pat. No. Des. 815,879, and a continuation-in-part of application No. 29/595,961, filed on Mar. 3, 2017, now Pat. No. Des. 816,404, and a continuation-in-part of application No. 29/595,970, filed on Mar. 3, 2017, now Pat. No. Des. 827,374, and a continuation-in-part of application No. 29/595,954, filed on Mar. 3, 2017, now Pat. No. Des. 801,104, and a continuation-in-part of application No. 29/595,966, filed on Mar. 3, 2017, now Pat. No. Des. 830,099, and a continuation-in-part of application No. 29/595,957, filed on Mar. 3, 2017, now Pat. No. Des. 816,387, and a continuation-in-part of application No. 29/595,965, filed on Mar. 3, 2017, now Pat. No. Des. 828,075.

(58) **Field of Classification Search**

USPC ..... D7/402, 409-411, 502, 523, 531, 538, D7/543, 554.1, 554.2, 565-566, 585, 602, D7/605, 607, 609, 611  
 CPC .. A47J 37/00; A47J 37/04; A47J 37/06; A47J 37/0611; A47J 37/067; A47J 37/0605; A47J 37/0623; A47J 37/0629; A47J 37/0676; A47J 27/60; A47J 27/62; A47J 27/21; A47J 27/21008; A47J 27/21041; A47J 36/022; A47J 36/025; A47J 36/027; A47J 43/44; A47J 2037/06; A47J 2037/0611; A21B 3/13; A21B 3/131; A21B 3/132; A21B 3/133; A21B 3/138; A21B 3/15; A21B 5/023; A21D 12/33; A47G 19/02; A47G 19/027; A47G 19/22; F24C 15/10; F24C 15/102; H05B 6/02; H05B 6/062

See application file for complete search history.

(56) **References Cited**

U.S. PATENT DOCUMENTS

1,671,450 A 5/1928 Ross  
 4,014,451 A 3/1977 Cannon et al.  
 4,092,909 A \* 6/1978 Phillips ..... A47J 36/20  
 99/410  
 4,106,486 A 8/1978 Lee

4,195,747 A 4/1980 Hare  
 D289,844 S \* 5/1987 Daenen ..... D7/354  
 4,865,858 A 9/1989 Petcavich  
 RE33,447 E \* 11/1990 Rosman ..... A21B 3/13  
 220/4.21  
 D384,555 S 10/1997 Bradley  
 5,800,853 A 9/1998 Wang  
 D437,180 S 2/2001 Emrich  
 D445,633 S 7/2001 Bradley  
 D466,758 S 12/2002 Bradley  
 6,546,850 B1 4/2003 Akiyama-Warren  
 D496,272 S \* 9/2004 Jackson ..... D7/602  
 D514,373 S \* 2/2006 Vendl ..... D7/360  
 D528,376 S 9/2006 Munson et al.  
 D559,621 S 1/2008 Raichlen et al.  
 D569,169 S 5/2008 Munson  
 D583,615 S \* 12/2008 Simon ..... D7/354  
 D584,112 S 1/2009 Ehrenhaus et al.  
 D588,859 S 3/2009 Simon et al.  
 D609,530 S \* 2/2010 Hart ..... D7/360  
 D615,825 S 5/2010 Curtin  
 D631,299 S \* 1/2011 Samartgis ..... D7/602  
 D641,217 S 7/2011 Chen et al.  
 D644,885 S \* 9/2011 Samartgis ..... D7/602  
 D661,550 S \* 6/2012 Stamper ..... D7/543  
 D677,514 S \* 3/2013 Sarnoff ..... D7/354  
 D684,733 S 6/2013 Altoon  
 D777,535 S 1/2017 Zemel et al.  
 D801,104 S \* 10/2017 Mirchandani ..... D7/354  
 D815,882 S \* 4/2018 Mirchandani ..... D7/354  
 2005/0098046 A1 5/2005 Morgan  
 2007/0080163 A1 \* 4/2007 Yeung ..... A47J 36/04  
 220/675  
 2010/0263552 A1 10/2010 Hendrickson  
 2015/0069215 A1 3/2015 Kohnen  
 2015/0250189 A1 9/2015 Marin Moro

FOREIGN PATENT DOCUMENTS

GB 802872 A 10/1958  
 GB 835370 A 5/1960  
 GB 2073582 A 10/1981  
 GB 2075824 A 11/1981  
 GB 2451496 A 2/2009  
 JP 11279388 A \* 10/1999  
 JP 2009508512 A 3/2009  
 WO WO-890210 A1 1/1989  
 WO WO-9533360 A1 12/1995  
 WO WO-2006062527 A1 6/2006

\* cited by examiner



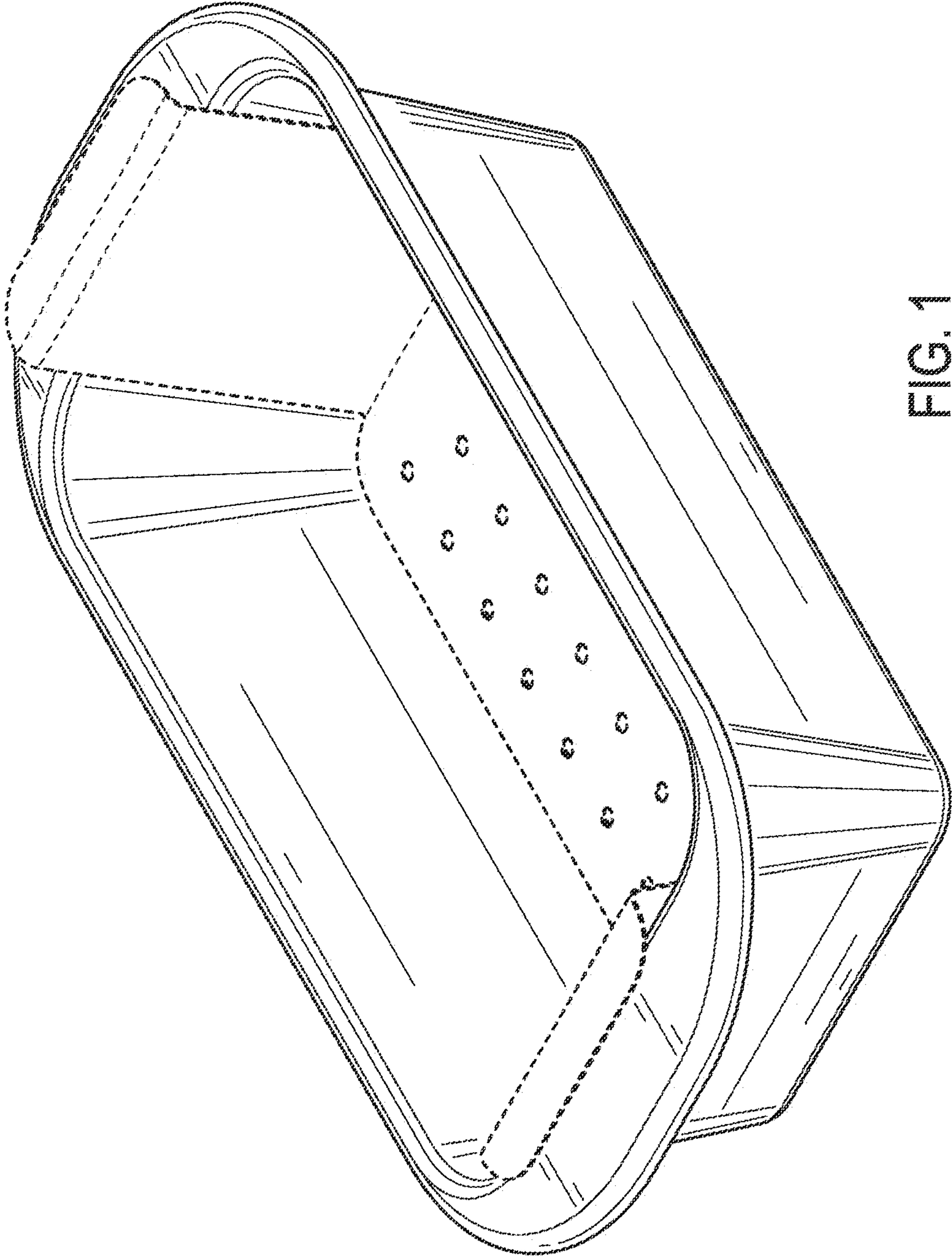


FIG. 1

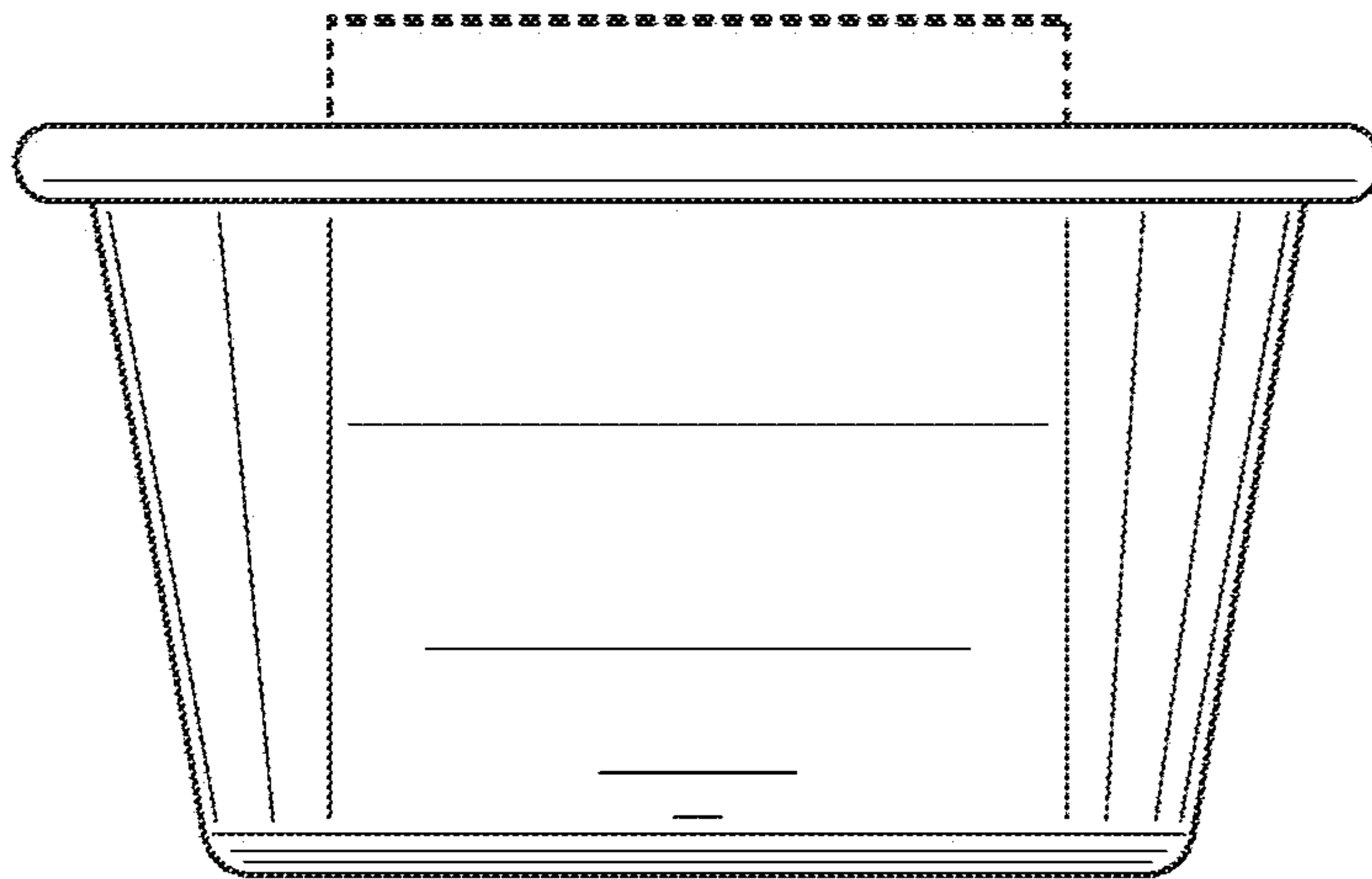


FIG. 2

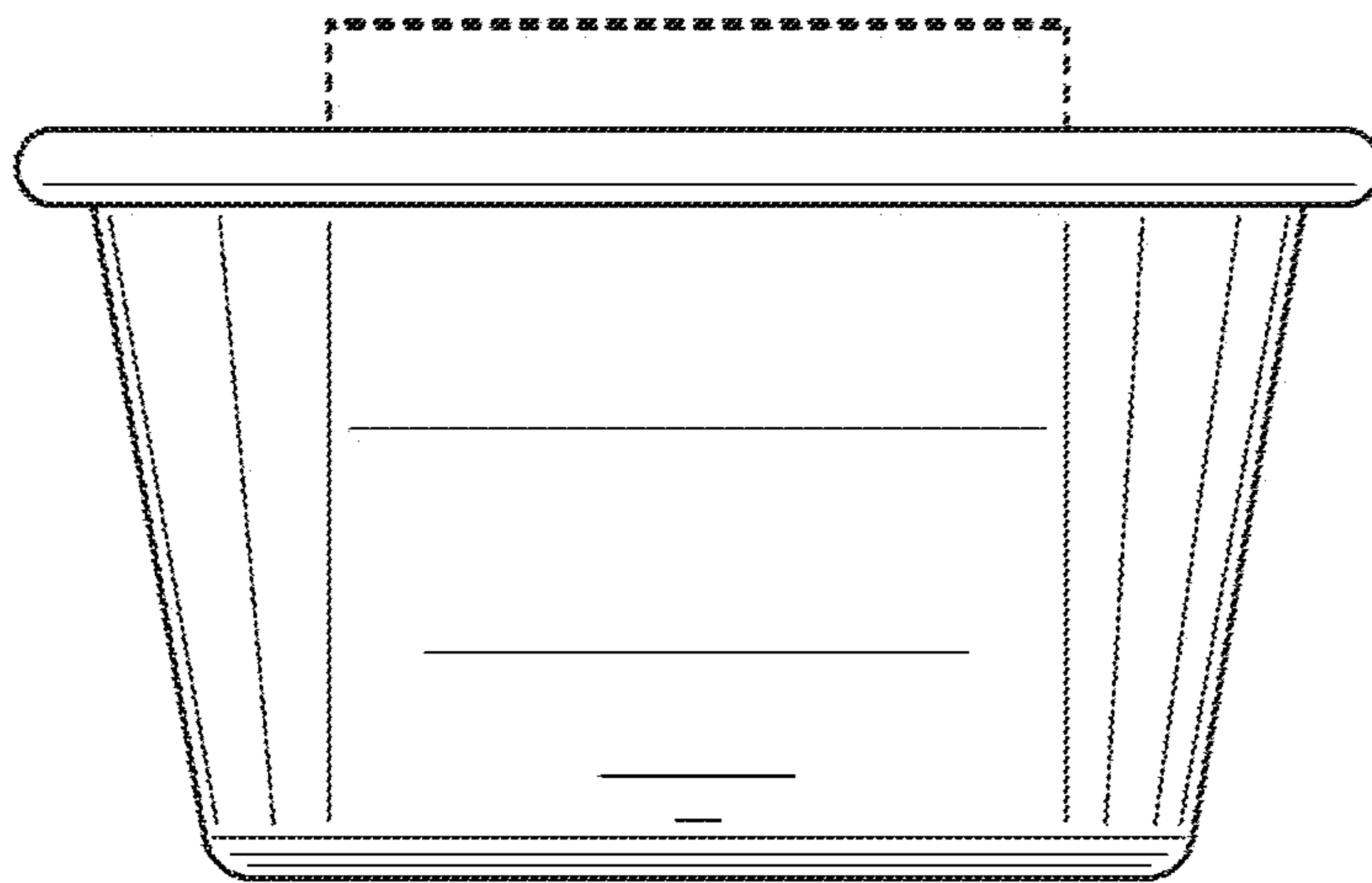


FIG. 3

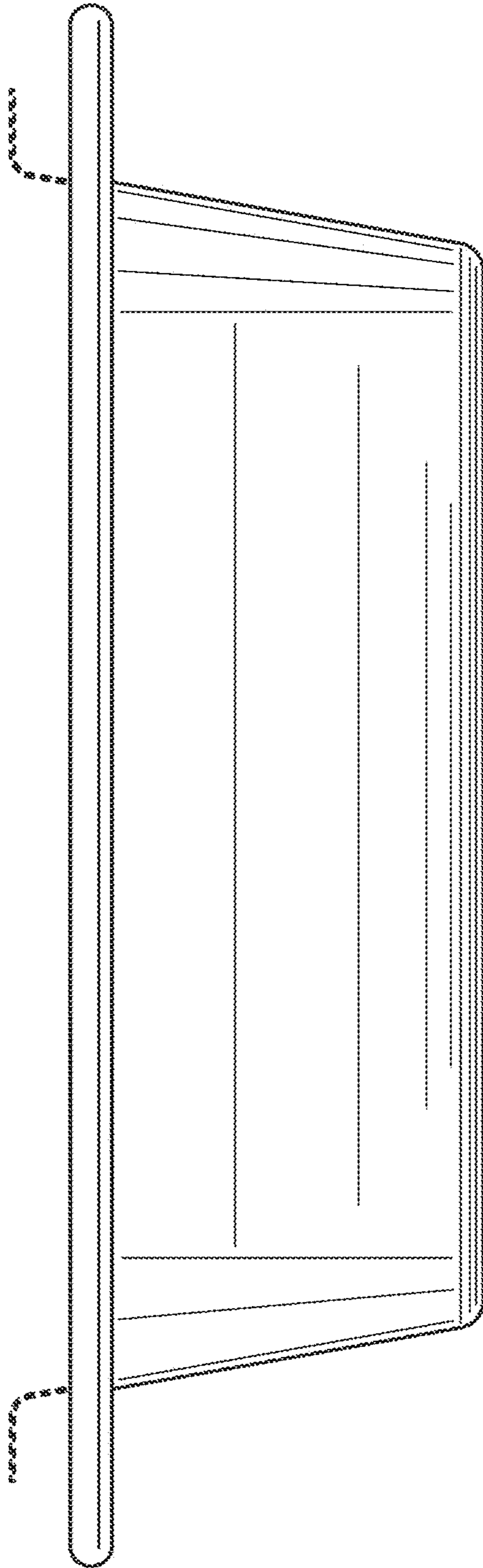


FIG. 4

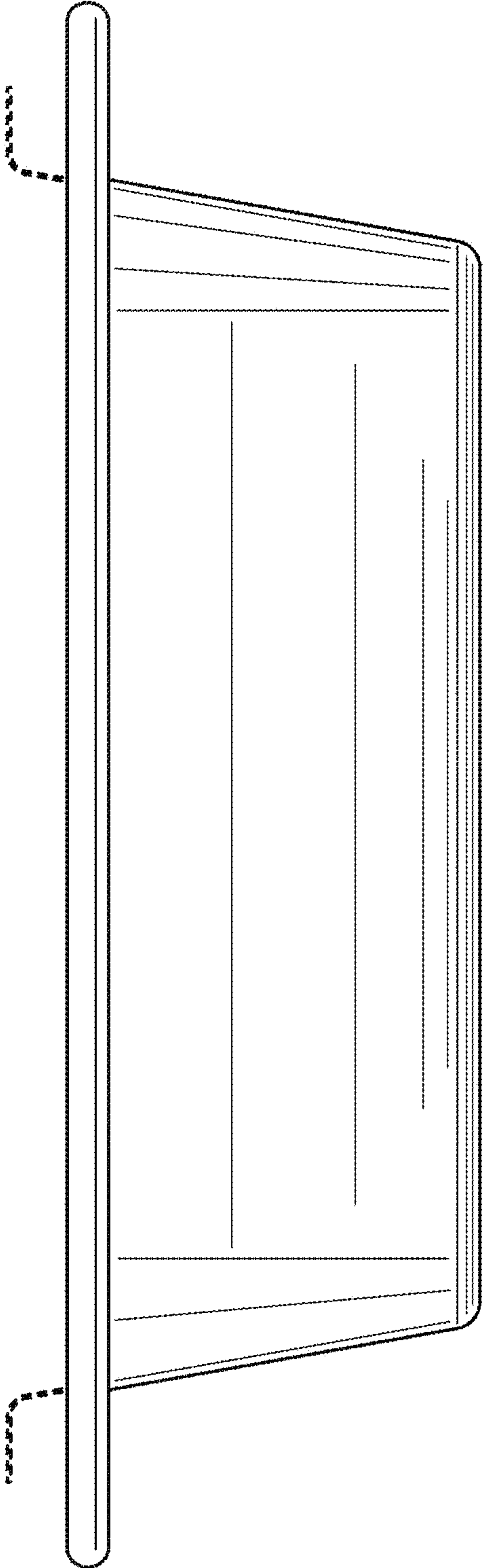


FIG. 5

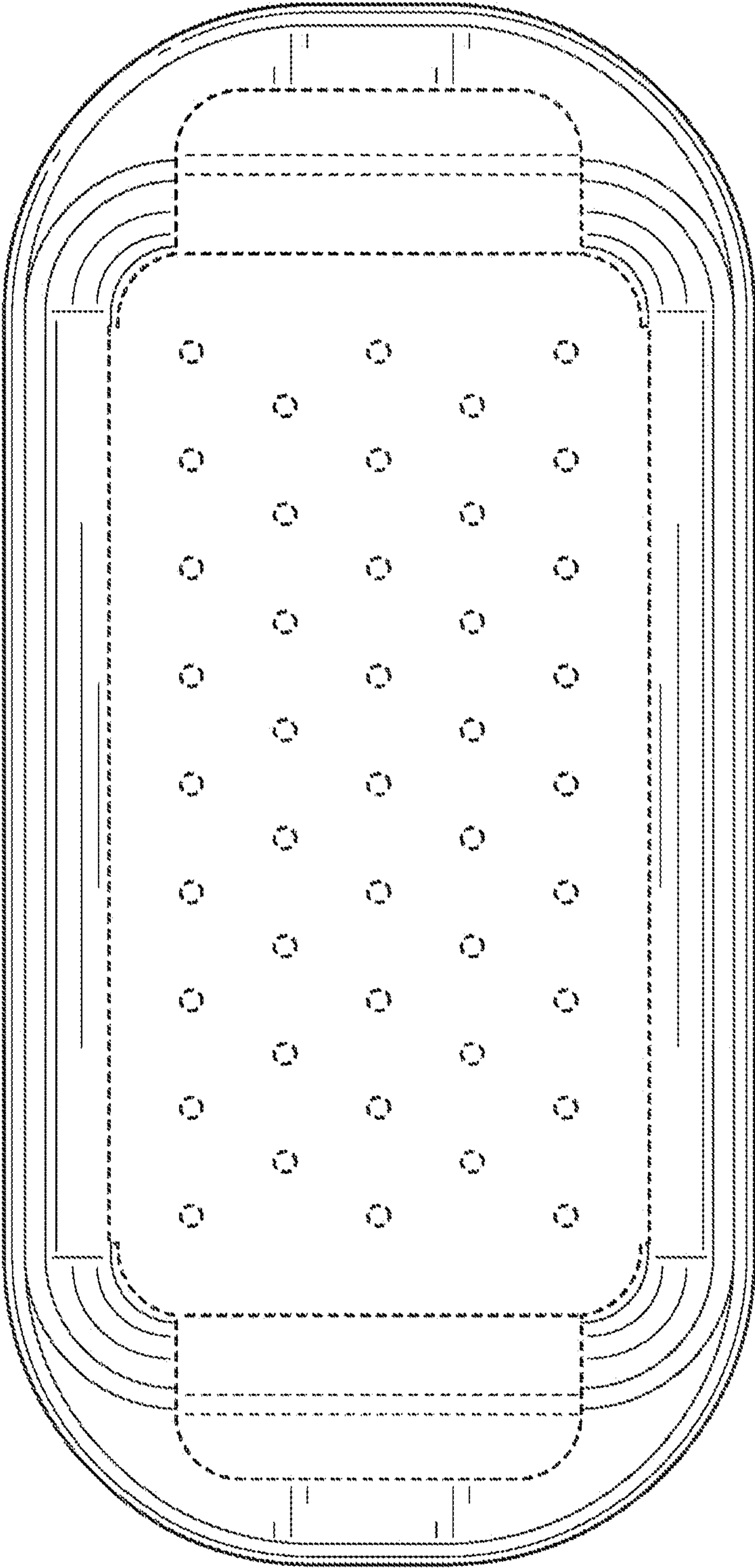


FIG. 6



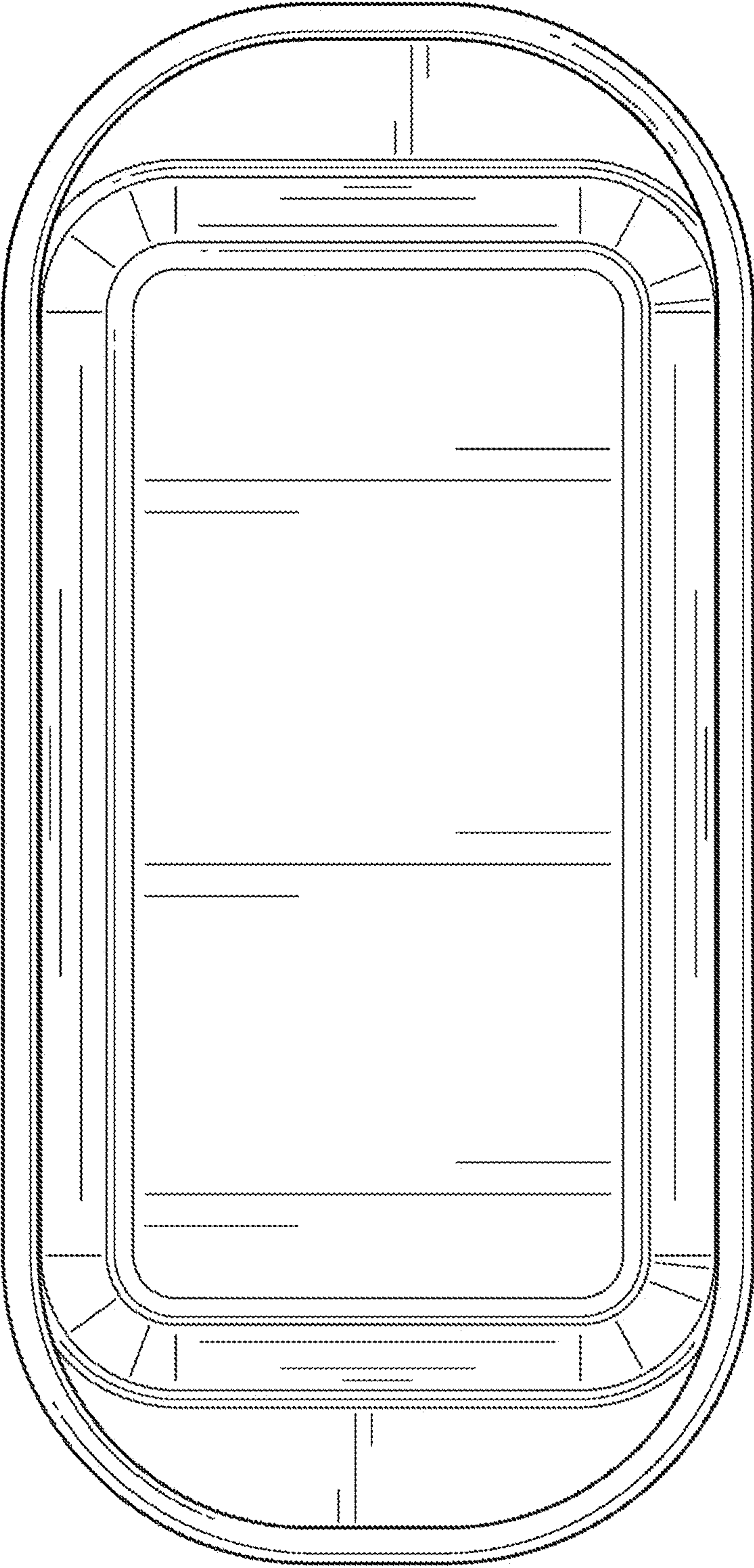


FIG. 7

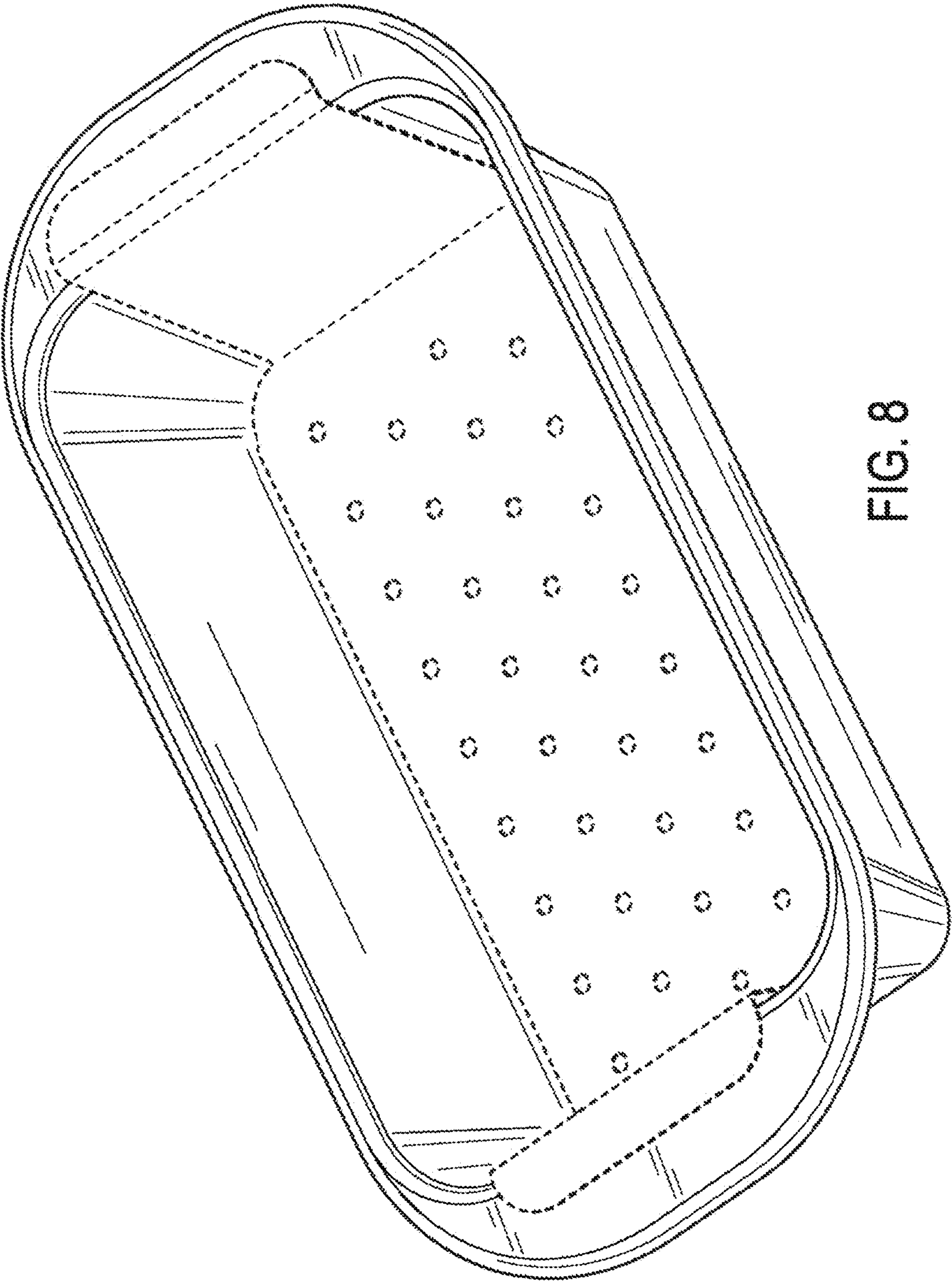


FIG. 8

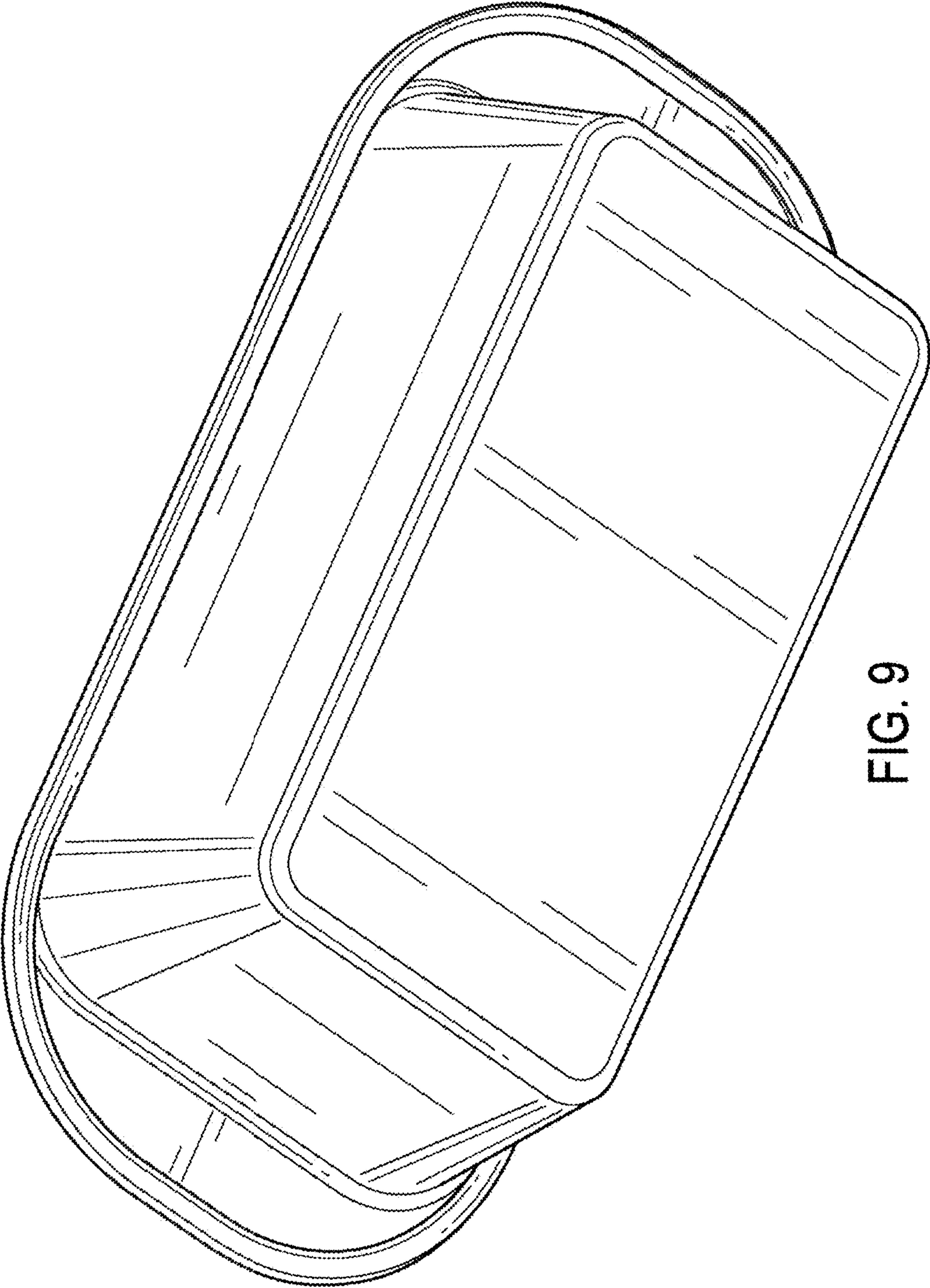


FIG. 9