



US00D859059S

(12) **United States Design Patent**
Levy

(10) **Patent No.:** **US D859,059 S**

(45) **Date of Patent:** **** *Sep. 10, 2019**

(54) **GRILL PAN**

(71) Applicant: **Marvin Levy**, Montvale, NJ (US)

(72) Inventor: **Marvin Levy**, Montvale, NJ (US)

(*) Notice: This patent is subject to a terminal disclaimer.

(**) Term: **15 Years**

(21) Appl. No.: **29/640,041**

(22) Filed: **Mar. 12, 2018**

Related U.S. Application Data

(62) Division of application No. 29/582,130, filed on Oct. 25, 2016.

(51) **LOC (12) Cl.** **07-02**

(52) **U.S. Cl.**
USPC **D7/359**

(58) **Field of Classification Search**
USPC D7/323, 332, 335-337, 354-355,
D7/359-364, 387-388, 402, 407-409;
D6/566; D19/90, 92
CPC .. A47J 36/22; A47J 37/00; A47J 37/04; A47J
37/041; A47J 37/042; A47J 37/06; A47J
37/0688; A47J 37/0694; A47J 37/07;
A47J 37/0704; A47J 37/10; A47J
37/1295; A47J 45/071; A47J 45/20; A47J
2037/00; A47J 2037/06; A47J 2037/0611;
A47J 2037/07; A47J 2037/0786; A47J
2037/0795
See application file for complete search history.

(56) **References Cited**

U.S. PATENT DOCUMENTS

1,591,291 A * 7/1926 Detwiler A47J 37/0676
99/446
D154,967 S * 8/1949 Watkins D7/359
D166,780 S * 5/1952 Watkins D7/359
D197,663 S * 3/1964 O'Reilly D7/359

D268,981 S * 5/1983 Monson 426/243
6,252,204 B1 * 6/2001 Po-Hei A47J 37/0676
219/450.1
D463,202 S * 9/2002 Smith D7/359
D508,368 S * 8/2005 Lion D7/388
D538,584 S * 3/2007 Scholze D7/359

(Continued)

OTHER PUBLICATIONS

Korean Portable BBQ Marble Coating Grill Pan Gas Stove Plate
Pork Beef Roasting, no posting date given [online], retrieved Aug.
25, 2017, retrieved from internet, <<http://www.ebayshopkorea.com/main/view?itemID=222571103017>>.*

(Continued)

Primary Examiner — Barbara Fox

Assistant Examiner — Messina L Smith

(74) *Attorney, Agent, or Firm* — Antonio Papageorgiou,
Esq; Meister Seelig & Fein LLP

(57) **CLAIM**

The ornamental design for a grill pan, as shown and described.

DESCRIPTION

FIG. 1 is a perspective view of the front, left side, and bottom of a grill pan showing my new design.

FIG. 2 is another perspective view of the front, left side, and bottom thereof;

FIG. 3 is another perspective view of the front, right side, and bottom thereof;

FIG. 4 is another perspective view of the front, right side, and bottom thereof;

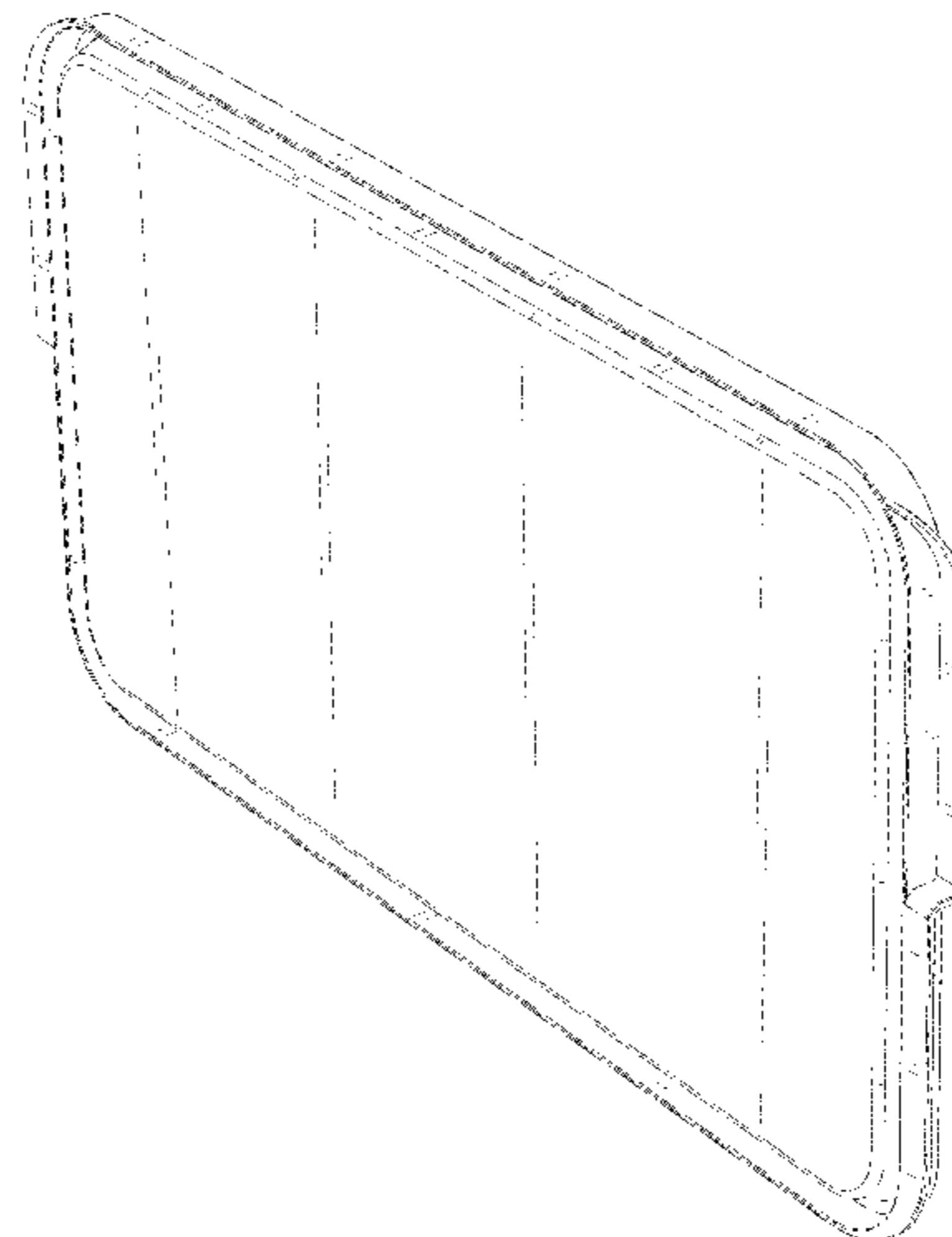
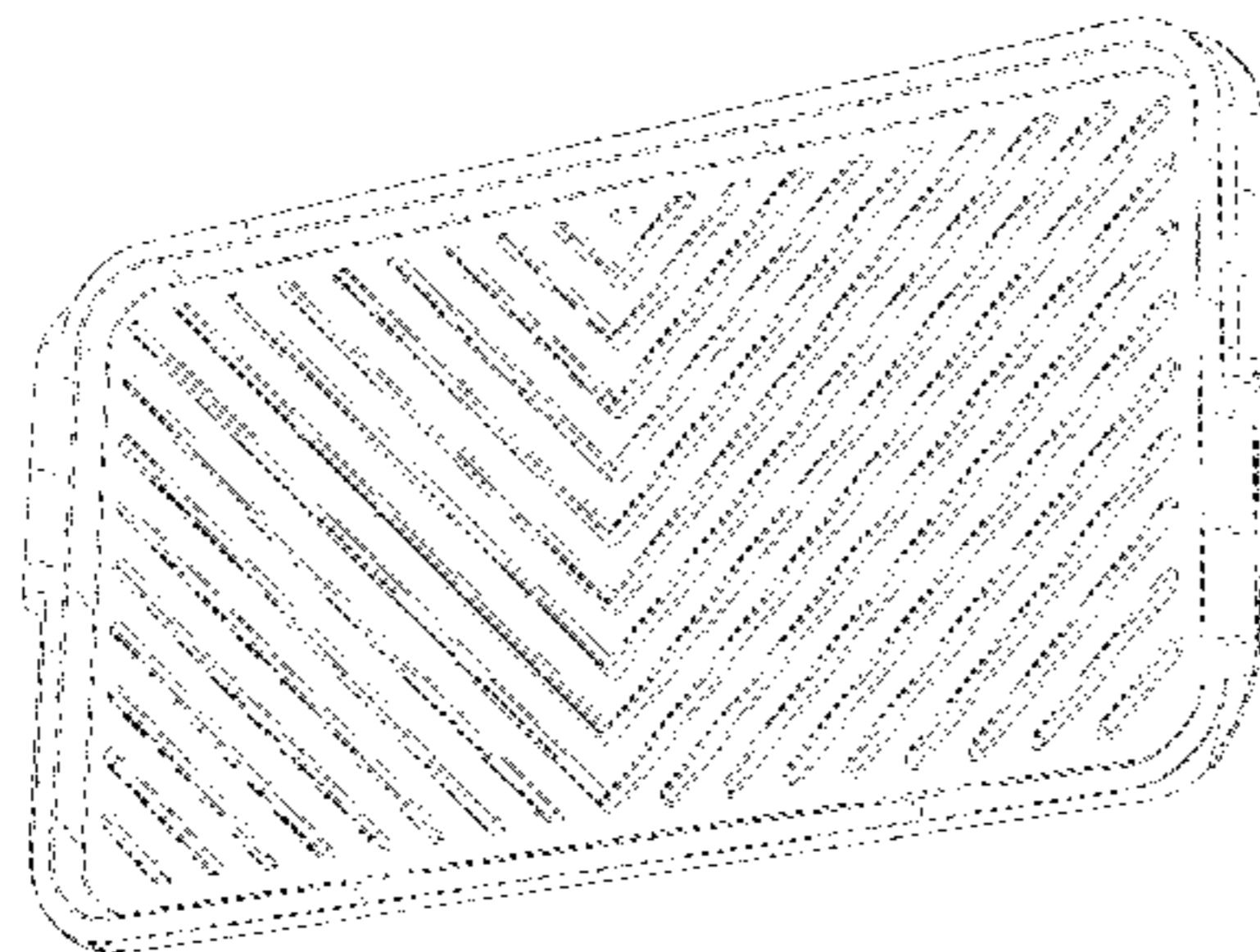
FIG. 5 is another perspective view of the front and bottom thereof;

FIG. 6 is a front view thereof;

FIG. 7 is a perspective view of the rear, right side, and top thereof; and,

FIG. 8 is another perspective view of the rear, right side, and top thereof.

1 Claim, 8 Drawing Sheets



(56)

References Cited

U.S. PATENT DOCUMENTS

D600,070 S * 9/2009 Kellermann D7/409
D618,047 S * 6/2010 Seymour D7/367
D655,804 S * 3/2012 Platt D23/365
D789,147 S * 6/2017 Nilssen D7/409
D793,800 S * 8/2017 Tsai D7/354
2005/0204931 A1* 9/2005 Cheng A47J 37/108
99/422
2005/0211106 A1* 9/2005 Dierkes A47J 37/10
99/422
2006/0180138 A1* 8/2006 Lin A47J 37/0611
126/25 R
2016/0120363 A1* 5/2016 Zwanenburg A47J 37/108
426/523

OTHER PUBLICATIONS

Todd English Hard Anodized by Greenpan Grill 'N' Griddle Gourmet Pan, posted on © 1999-2017 [online], retrieved Aug. 25, 2017, retrieved from interent, <<https://guide.alibaba.com/shopping-guides/grill-griddle-pan.html>>.*

Scanpan Mixed Grill & Griddle Pan, posted at Surlatable.com, posted on Aug. 20, 2013 [online], retrieved Aug. 25, 2017, retrieved from interent, see box "X" for link.*

<https://www.surlatable.com/product/PRO-889063/?affsrcid=AFF0005&utm_source=Google&utm_medium=cpc&utm_campaign=206387981&utm_term=105474114581_product_type_cookware_product_type_grill_pans_%26_griddles_cu>.*

* cited by examiner

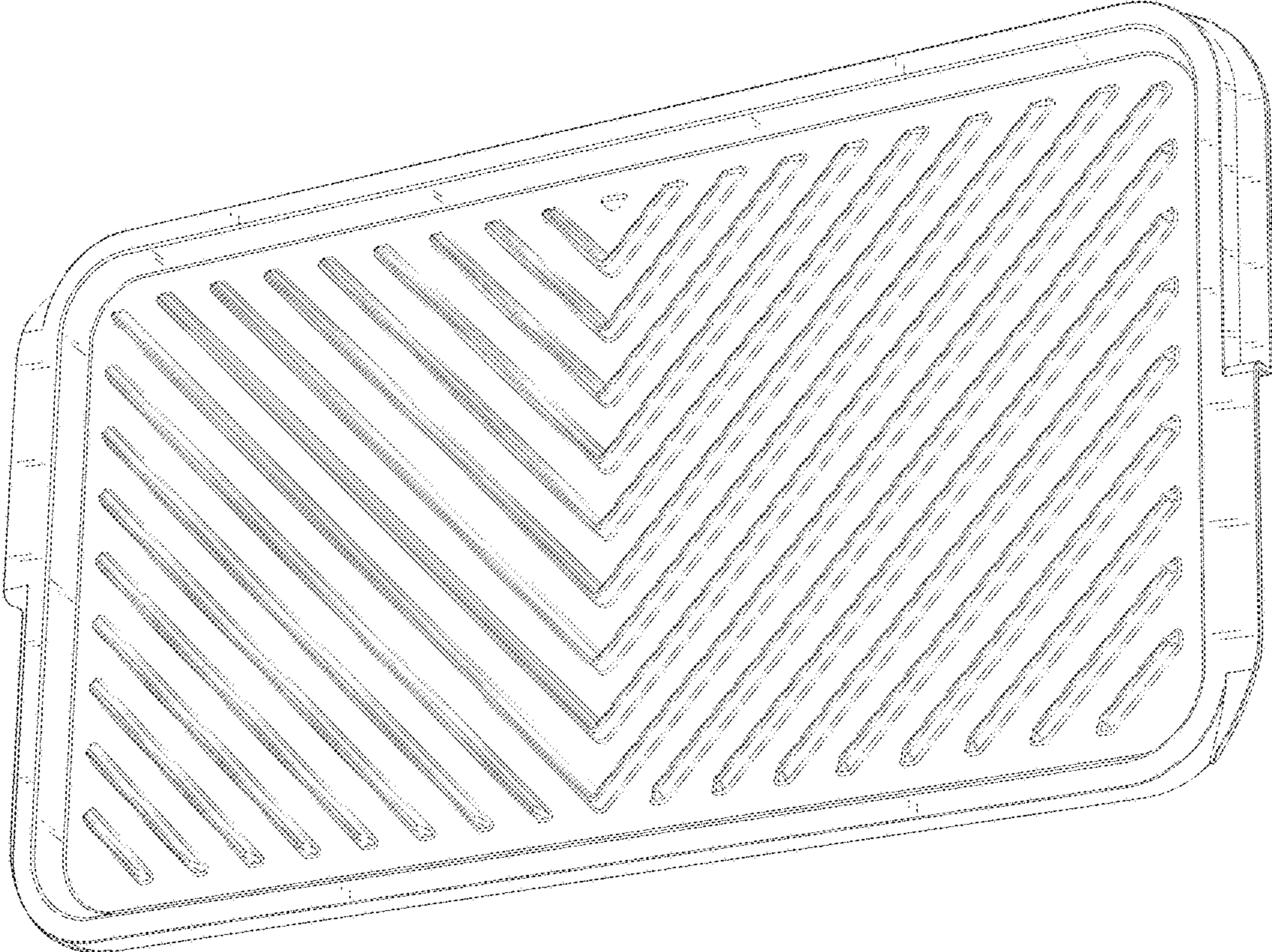


FIG. 1

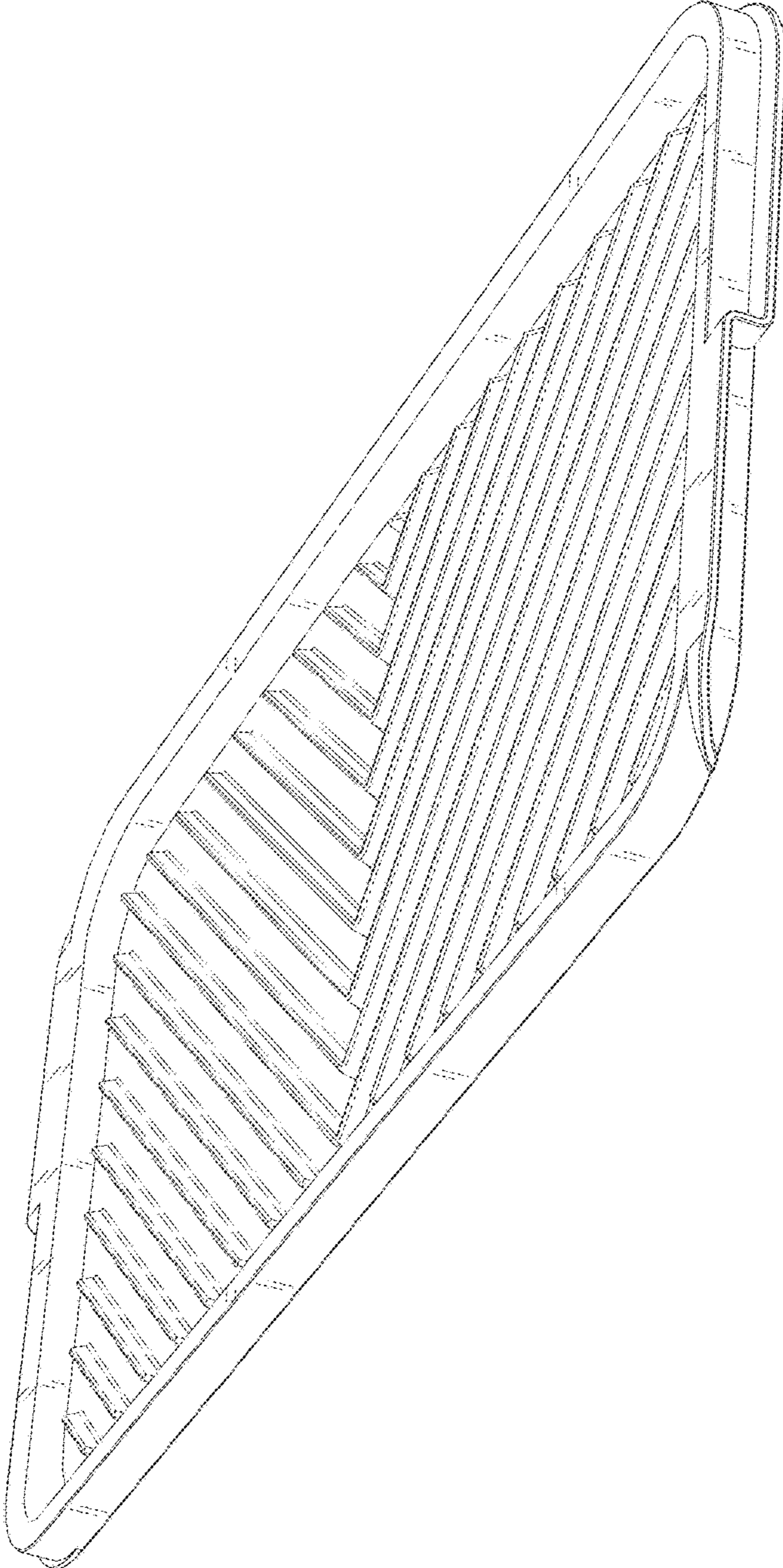


FIG. 2

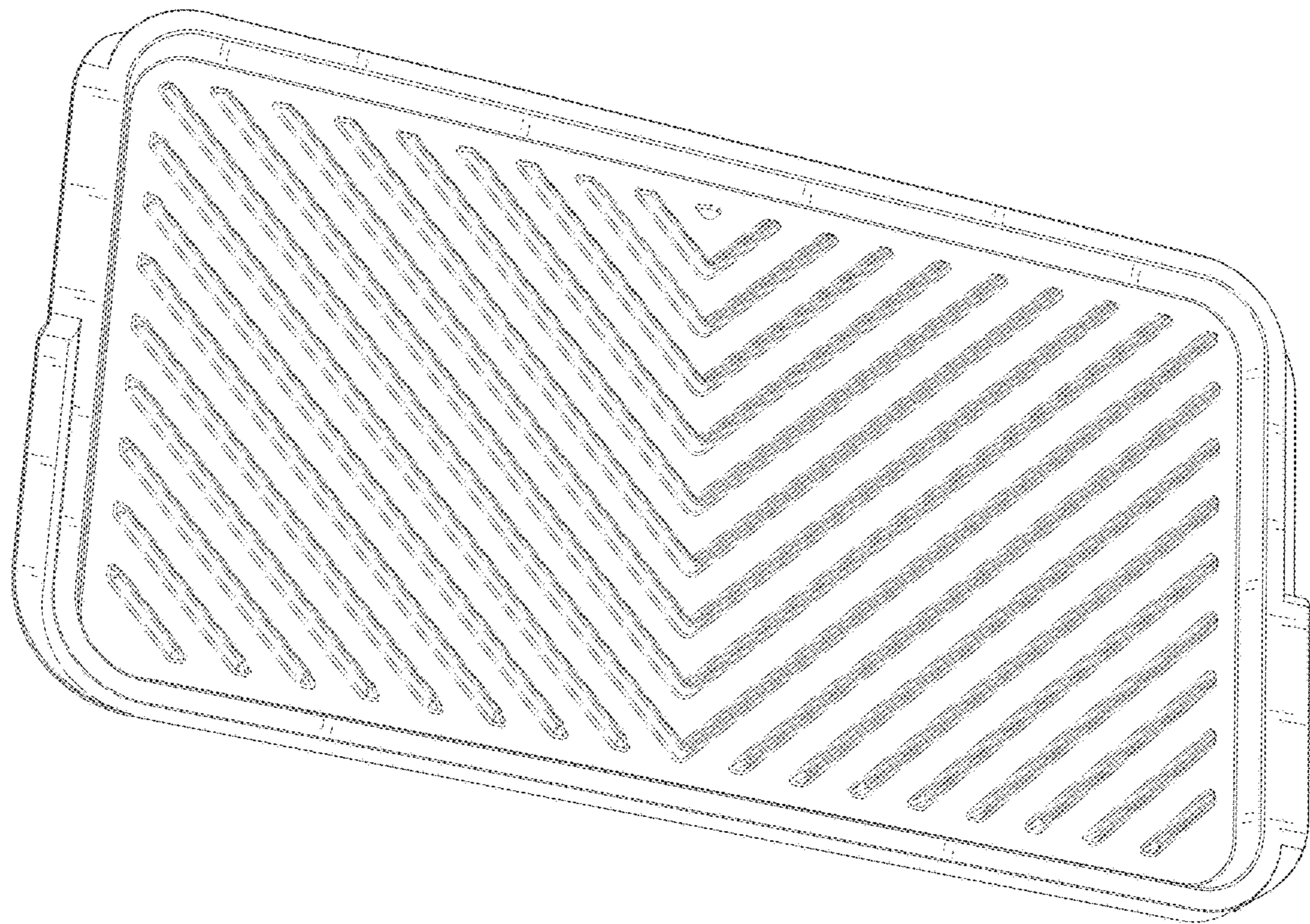


FIG. 3

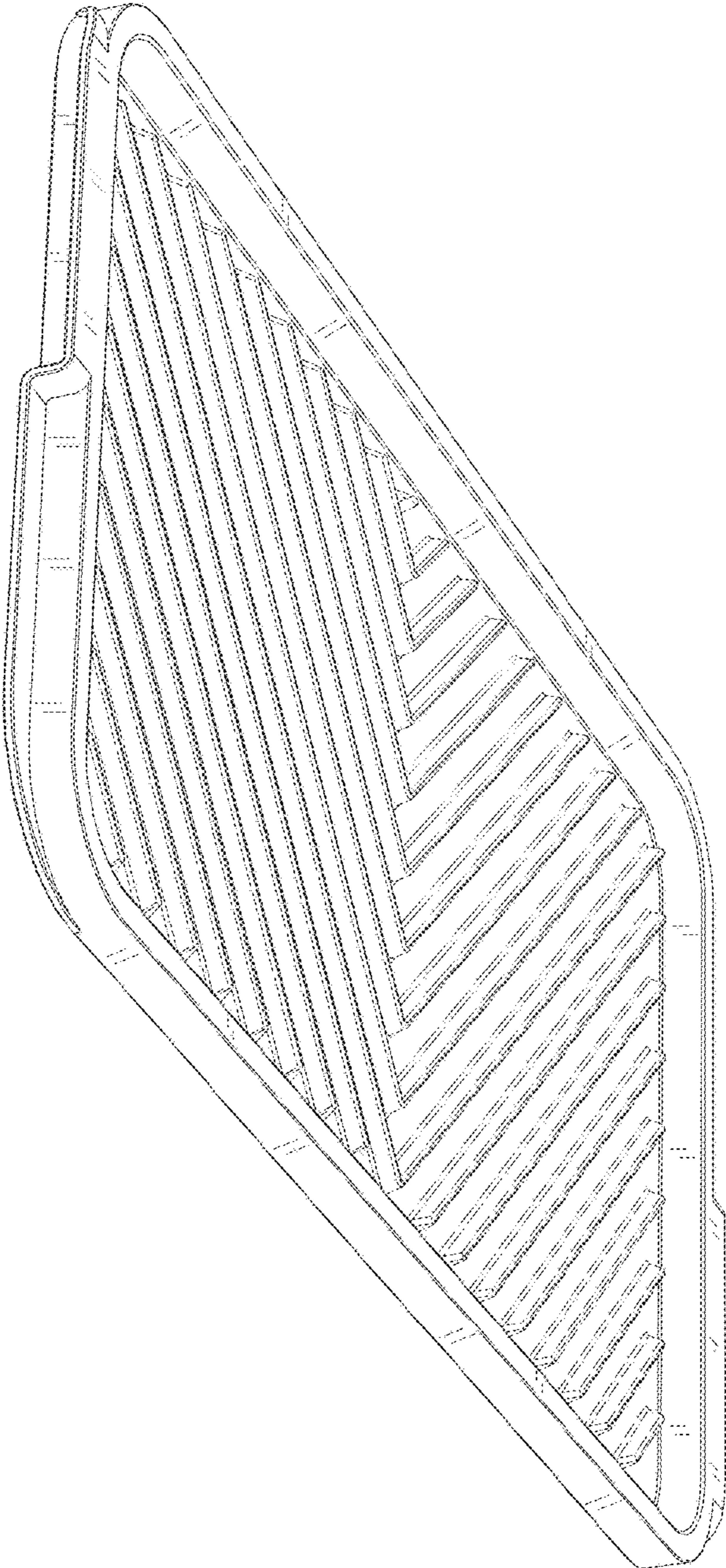


FIG. 4

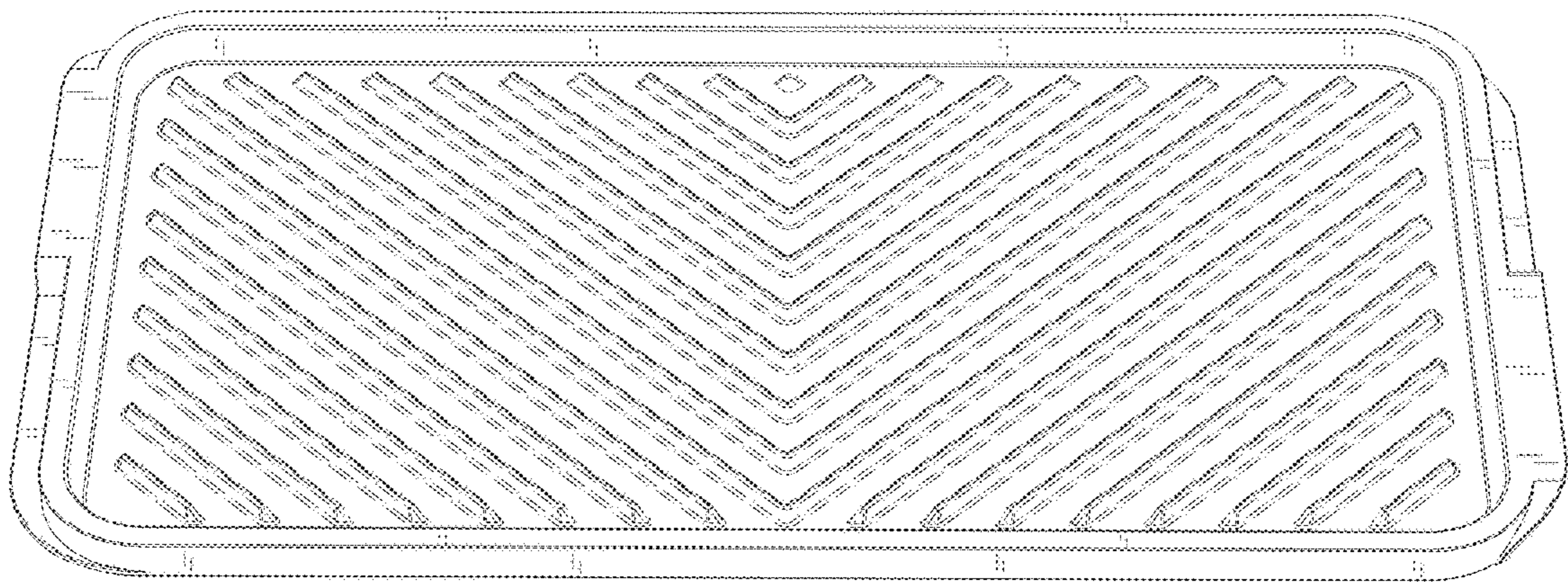


FIG. 5

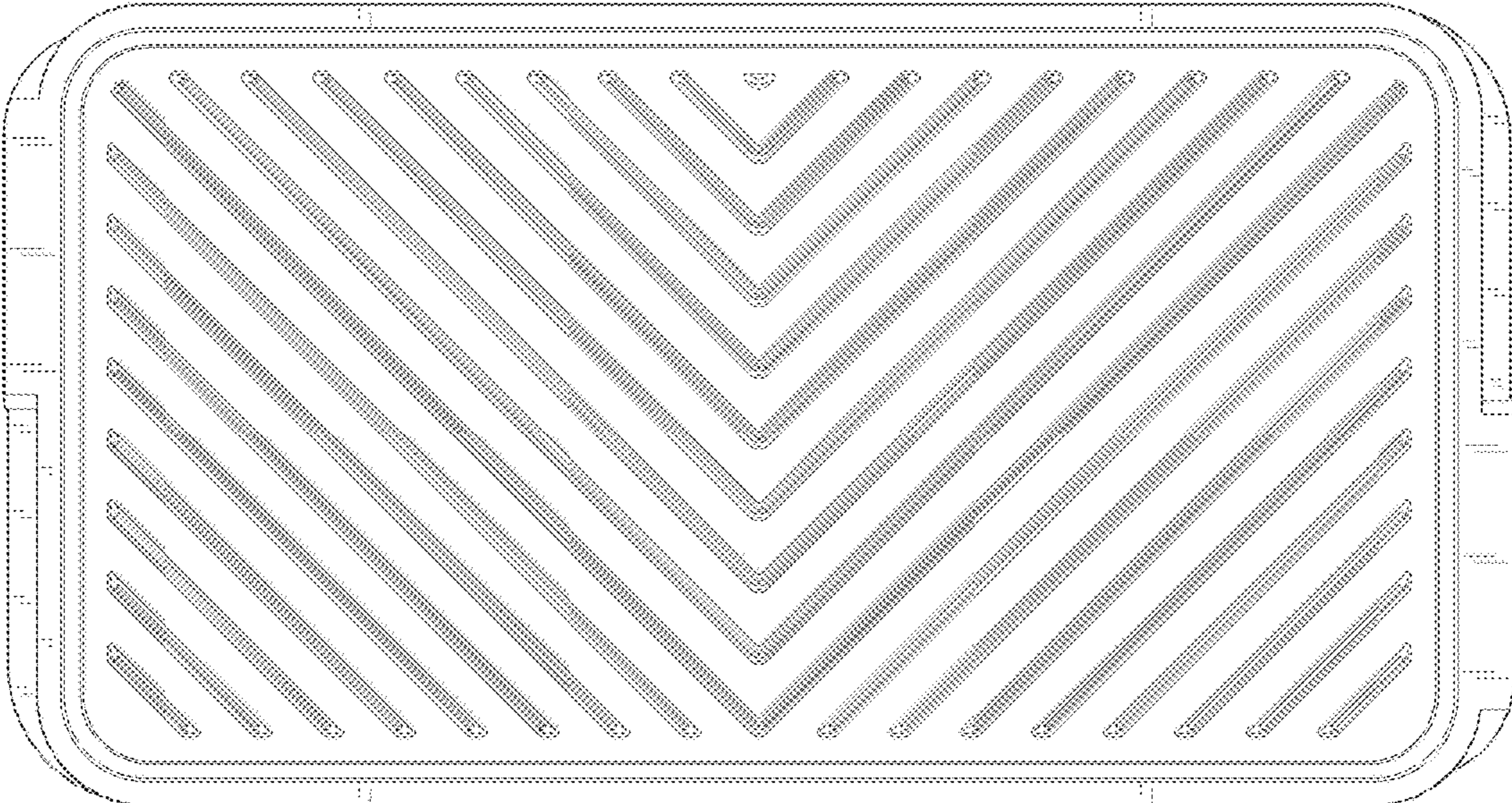


FIG. 6

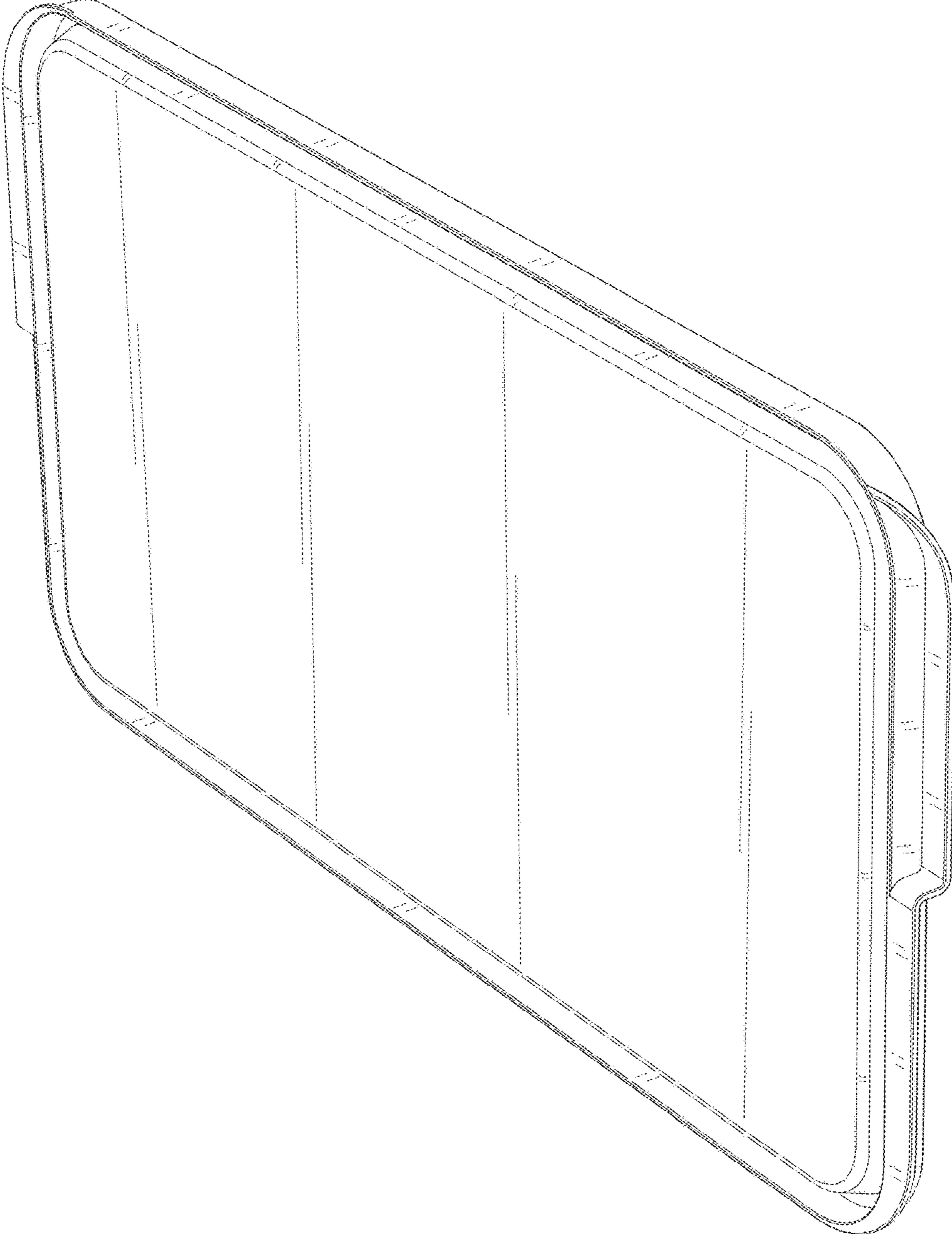


FIG. 7

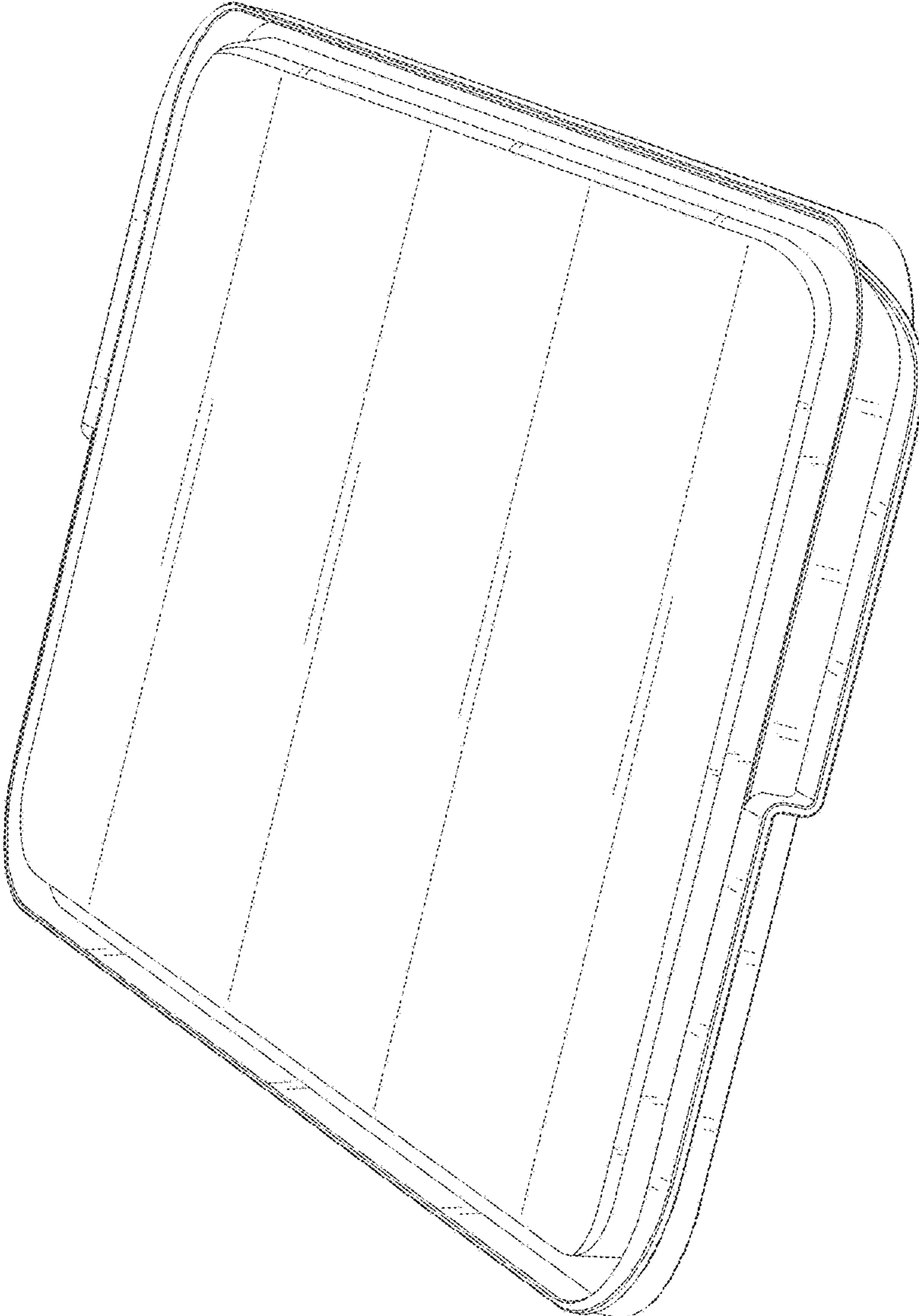


FIG. 8