



US00D859057S

(12) **United States Design Patent**
Chang

(10) **Patent No.:** **US D859,057 S**

(45) **Date of Patent:** **** Sep. 10, 2019**

- (54) **GRILL**
- (71) Applicant: **Tsann Kuen (Zhangzhou) Enterprise Co., Ltd.**, Zhangzhou (CN)
- (72) Inventor: **Wenyu Chang**, Zhangzhou (CN)
- (73) Assignee: **Tsann Kuen (Zhangzhou) Enterprise Co., Ltd.**, Zhangzhou (CN)

- D467,766 S * 12/2002 Wanat A47J 37/0611 D7/352
- D543,410 S * 5/2007 Cohen A47J 37/0611 D7/352
- D642,008 S * 7/2011 Lavy D7/352
- D669,300 S * 10/2012 Lavy D7/352
- D707,075 S * 6/2014 Fung D7/352
- D755,002 S * 5/2016 Garman D7/352
- 2017/0224156 A1 * 8/2017 Chang A47J 37/0611

(**) Term: **15 Years**

(21) Appl. No.: **29/607,240**

(22) Filed: **Jun. 12, 2017**

Related U.S. Application Data

(63) Continuation-in-part of application No. 29/591,965, filed on Jan. 25, 2017, now Pat. No. Des. 839,660.

(30) **Foreign Application Priority Data**

Oct. 15, 2016 (CN) 2016 3 0504734

(51) **LOC (12) Cl.** **07-02**

(52) **U.S. Cl.**
USPC **D7/352**

(58) **Field of Classification Search**
USPC D7/332-337, 352, 402-411, 362-364
CPC A47J 37/0713; A47J 37/0763; A47J 37/0611; A47J 37/0704; A47J 37/0777; A47J 37/0786; A47J 33/00; A47J 37/0617; A47J 37/0676

See application file for complete search history.

(56) **References Cited**

U.S. PATENT DOCUMENTS

- D299,609 S * 1/1989 Madl D7/352
- 5,983,784 A * 11/1999 Goldberg A47J 37/0611 99/372

OTHER PUBLICATIONS

Chefman, 2017 IHA Global Innovation Award—Chefman Perfect Pour Volcano Waffle Maker, Apr. 21, 2017, Youtube, <https://www.youtube.com/watch?v=I599KJWs4Mo> (Year: 2017).*

* cited by examiner

Primary Examiner — Brett Miller

(74) *Attorney, Agent, or Firm* — Burriss Law, PLLC

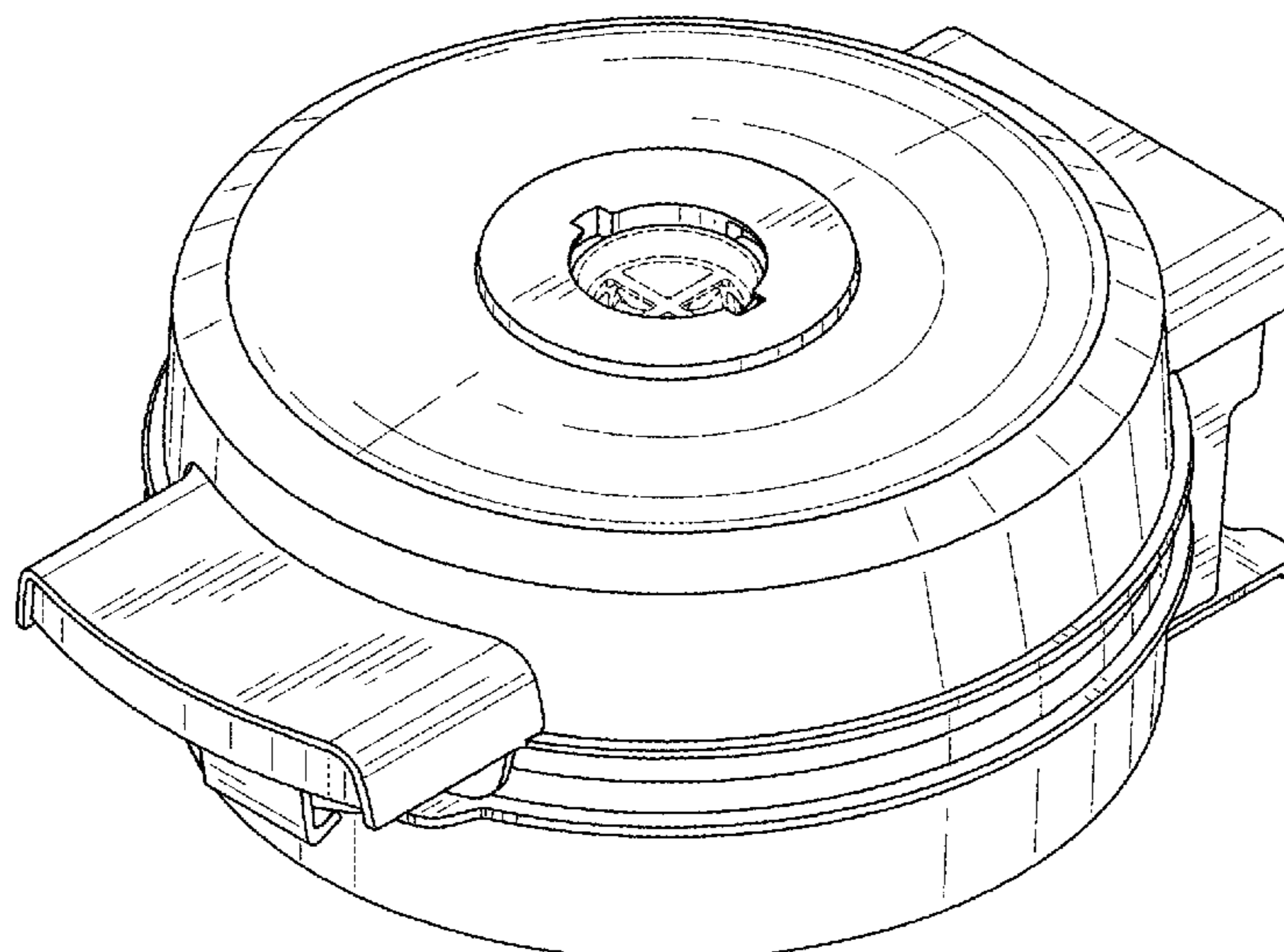
(57) **CLAIM**

The ornamental design for a grill, as shown and described.

DESCRIPTION

FIG. 1 is a perspective view of a grill showing my new design;
 FIG. 2 is another perspective view thereof;
 FIG. 3 is still another perspective view thereof;
 FIG. 4 is a front elevational view thereof;
 FIG. 5 is a rear elevational view thereof;
 FIG. 6 is a left side elevational view thereof;
 FIG. 7 is a right side elevational view thereof;
 FIG. 8 is a top plan view thereof; and,
 FIG. 9 is a bottom plan view thereof.
 The broken lines depict portions of a grill in which the design is embodied that form no part of the claimed design.

1 Claim, 7 Drawing Sheets



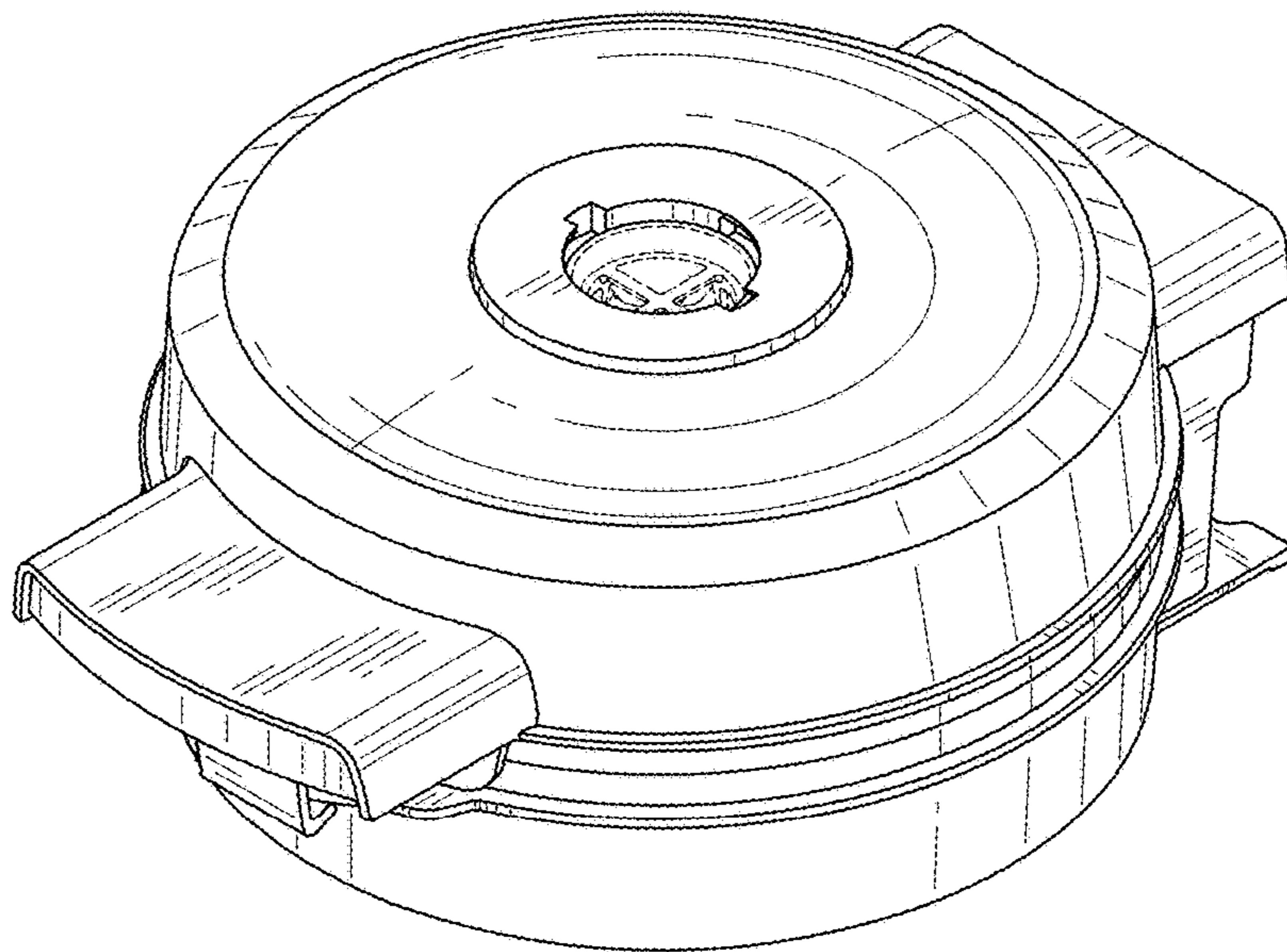


FIG.1

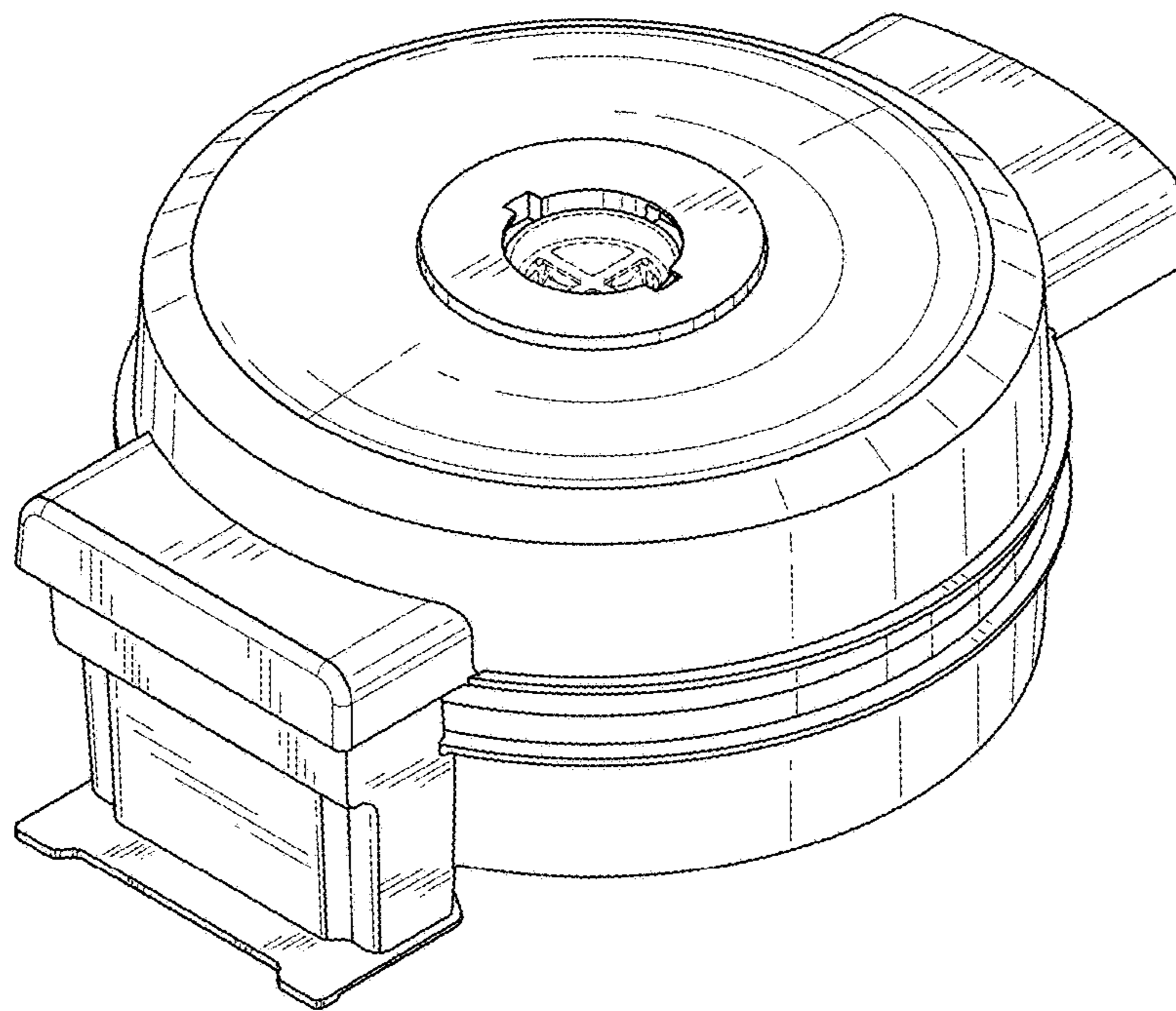


FIG.2

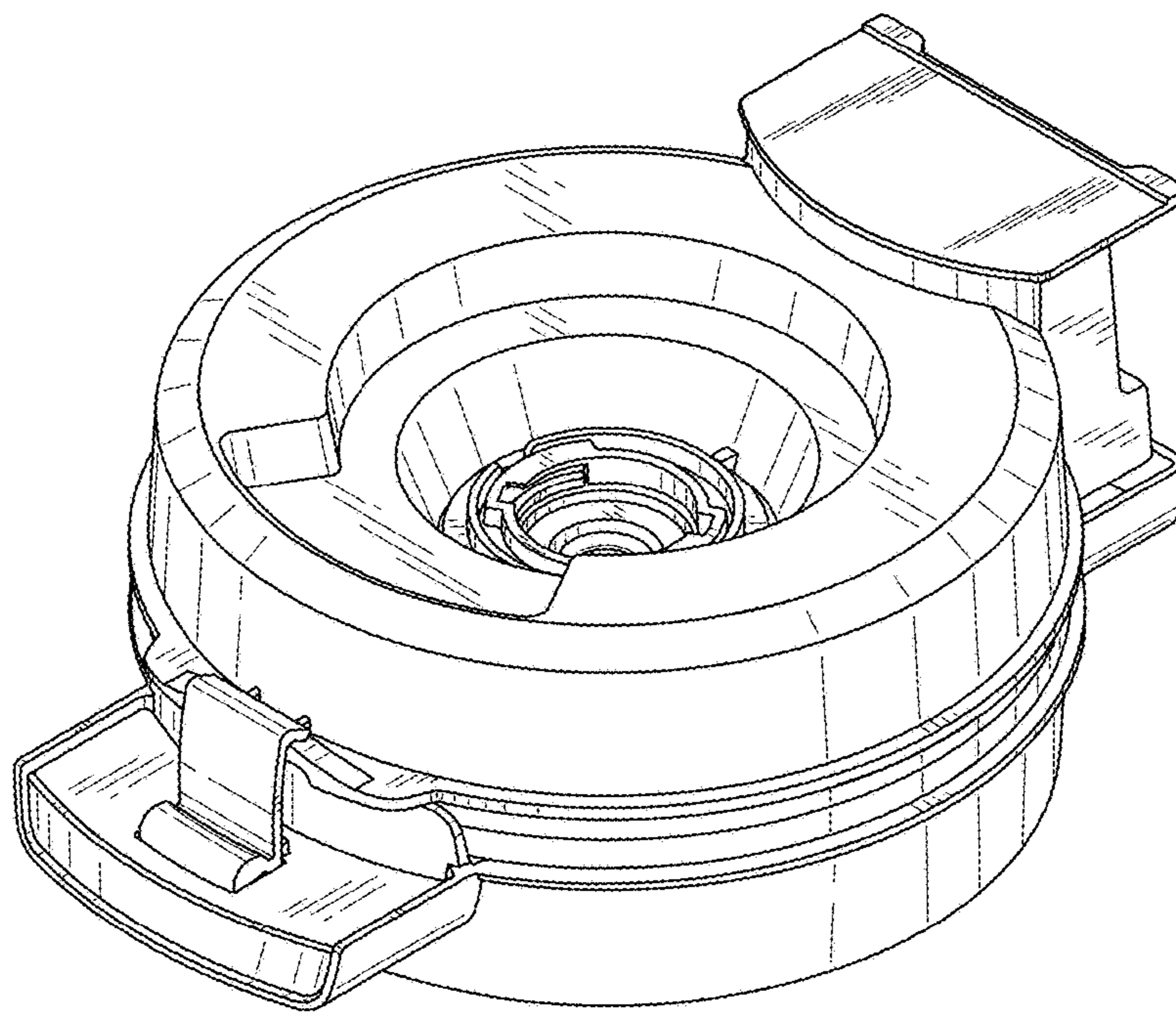


FIG.3

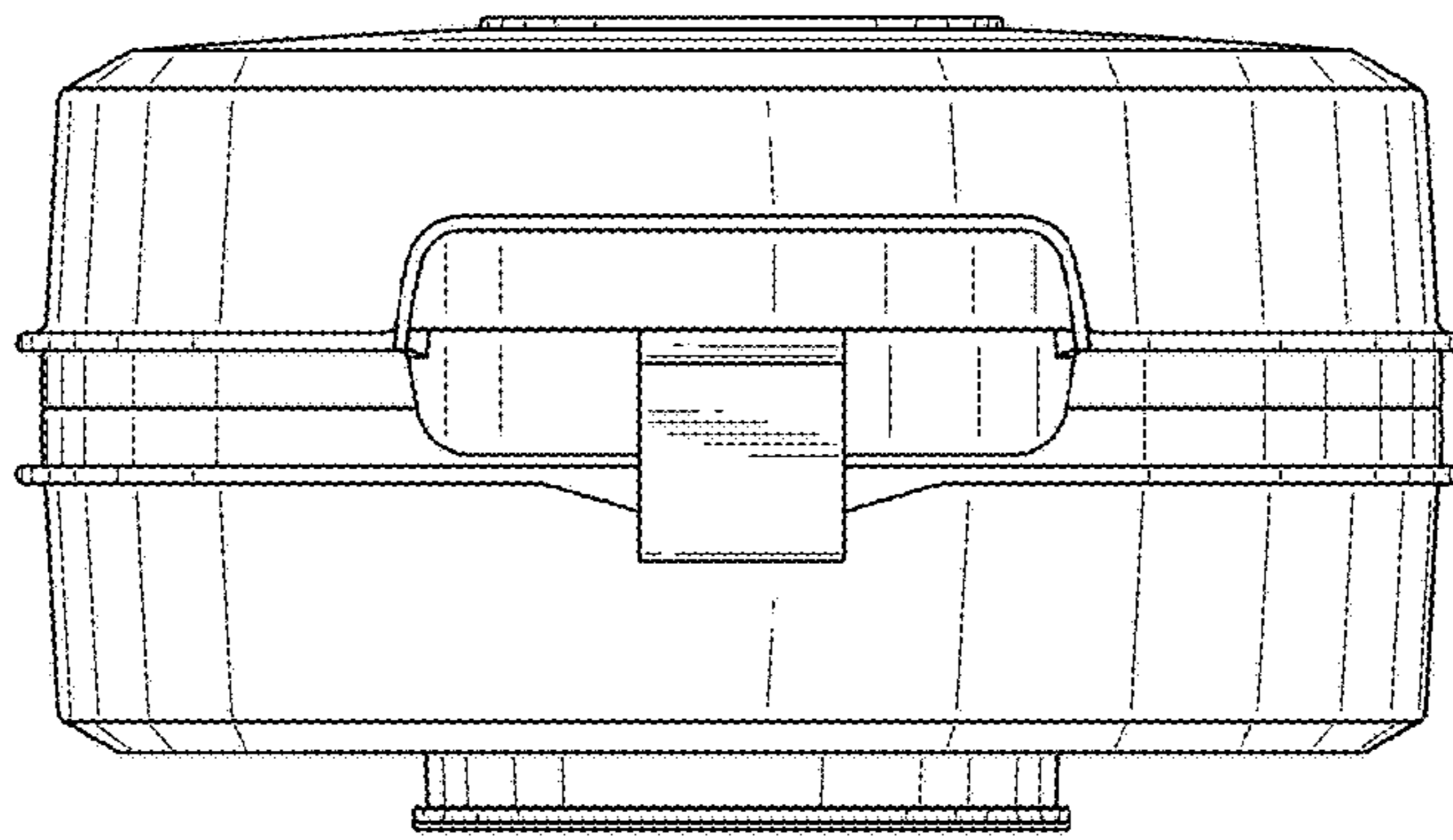


FIG. 4

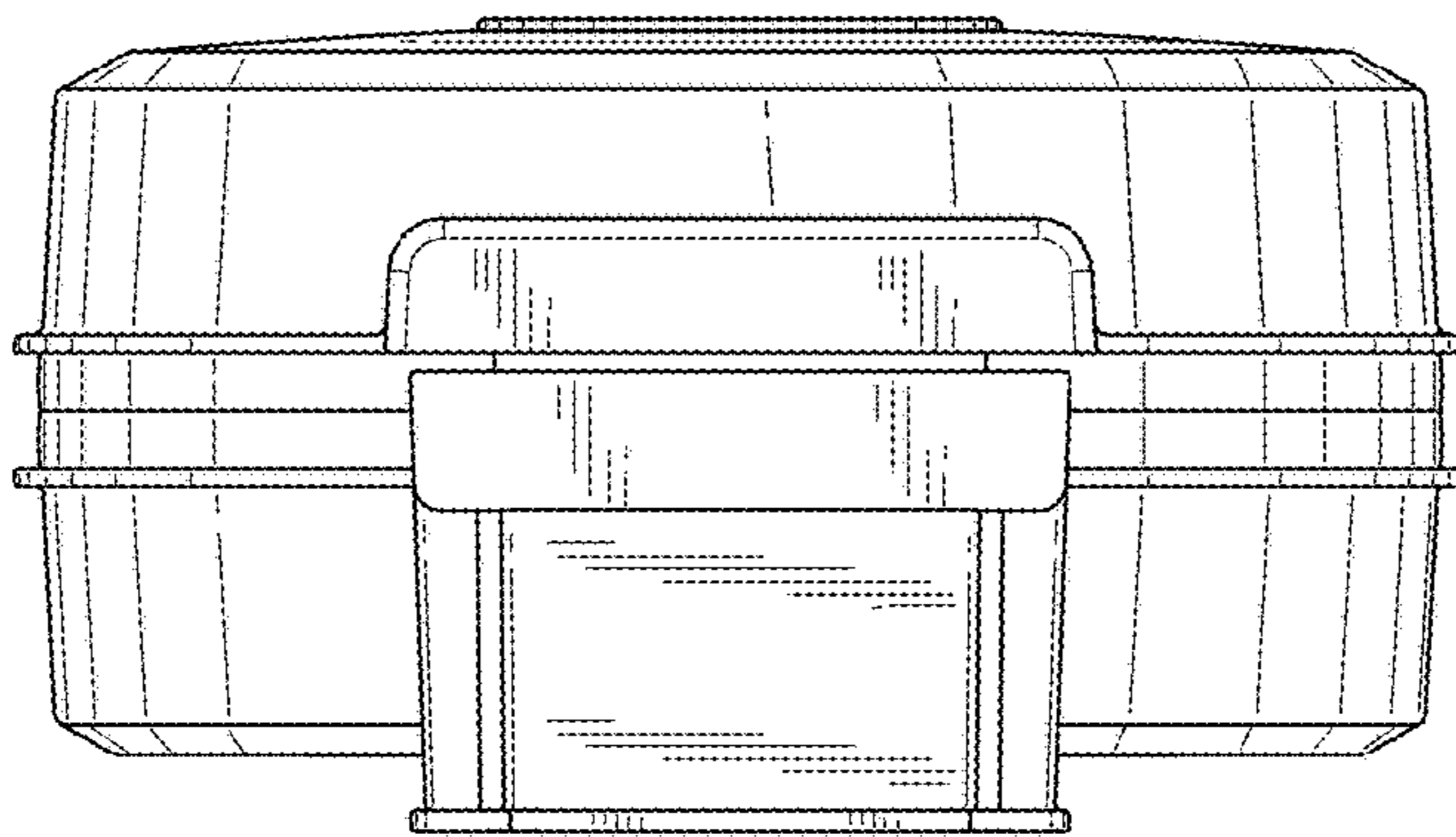


FIG. 5

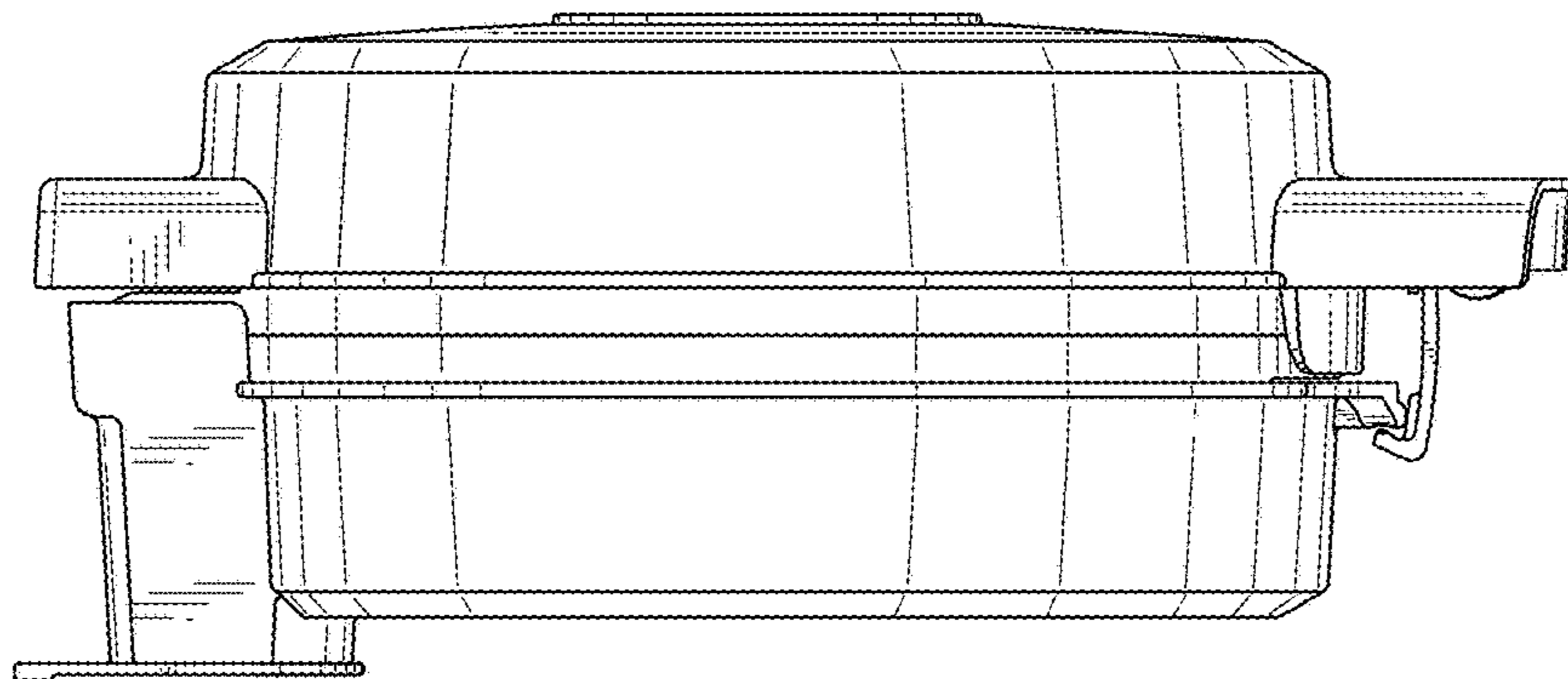


FIG. 6

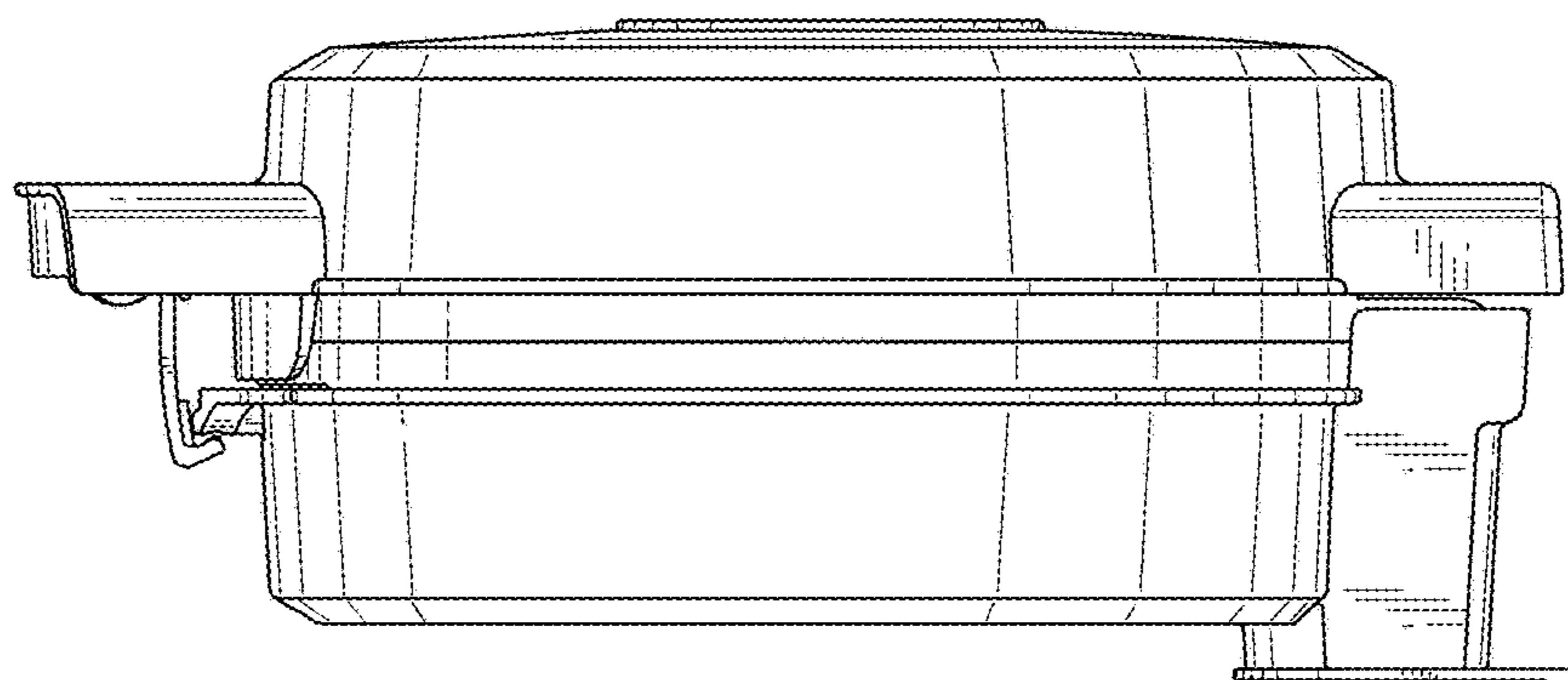


FIG. 7

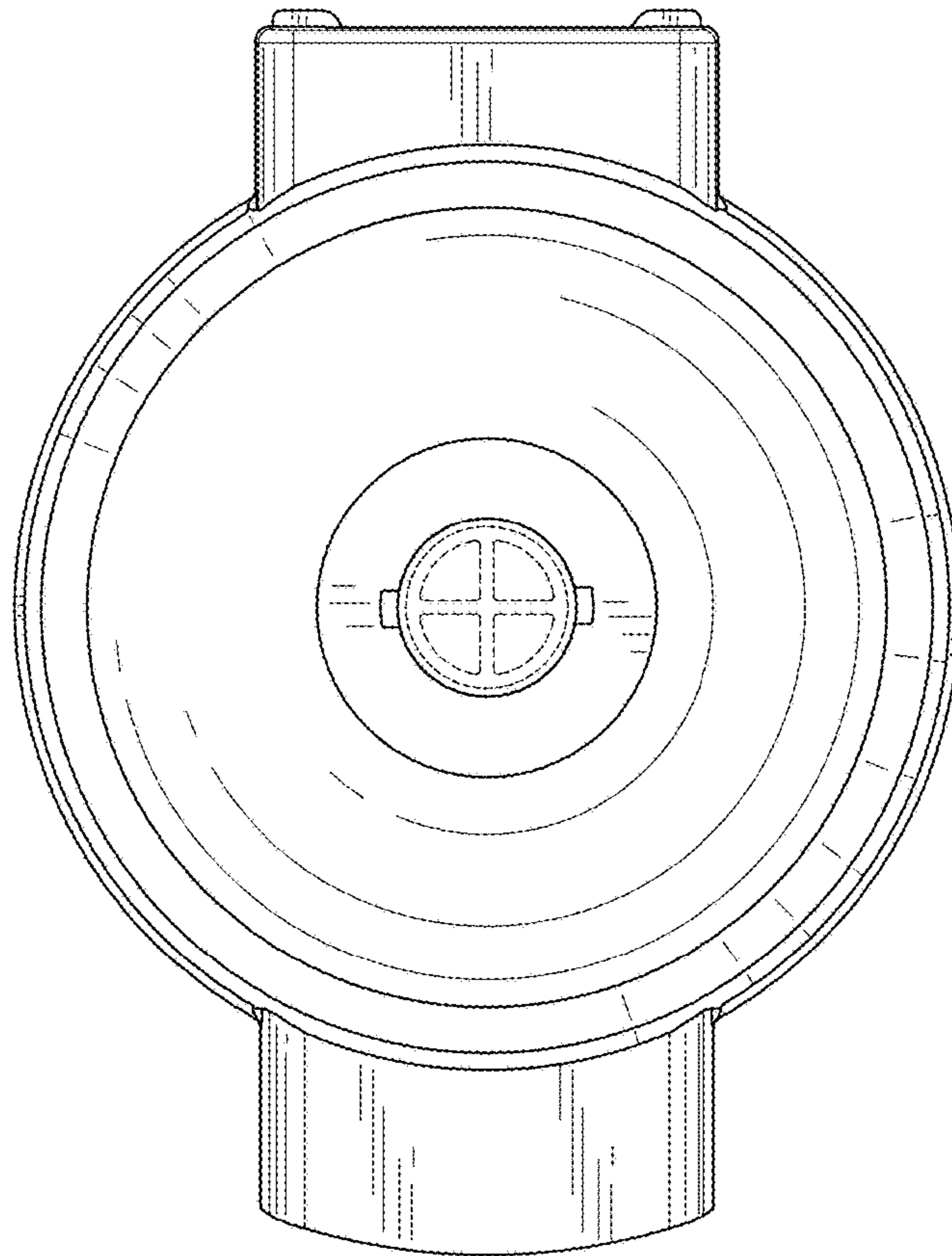


FIG.8

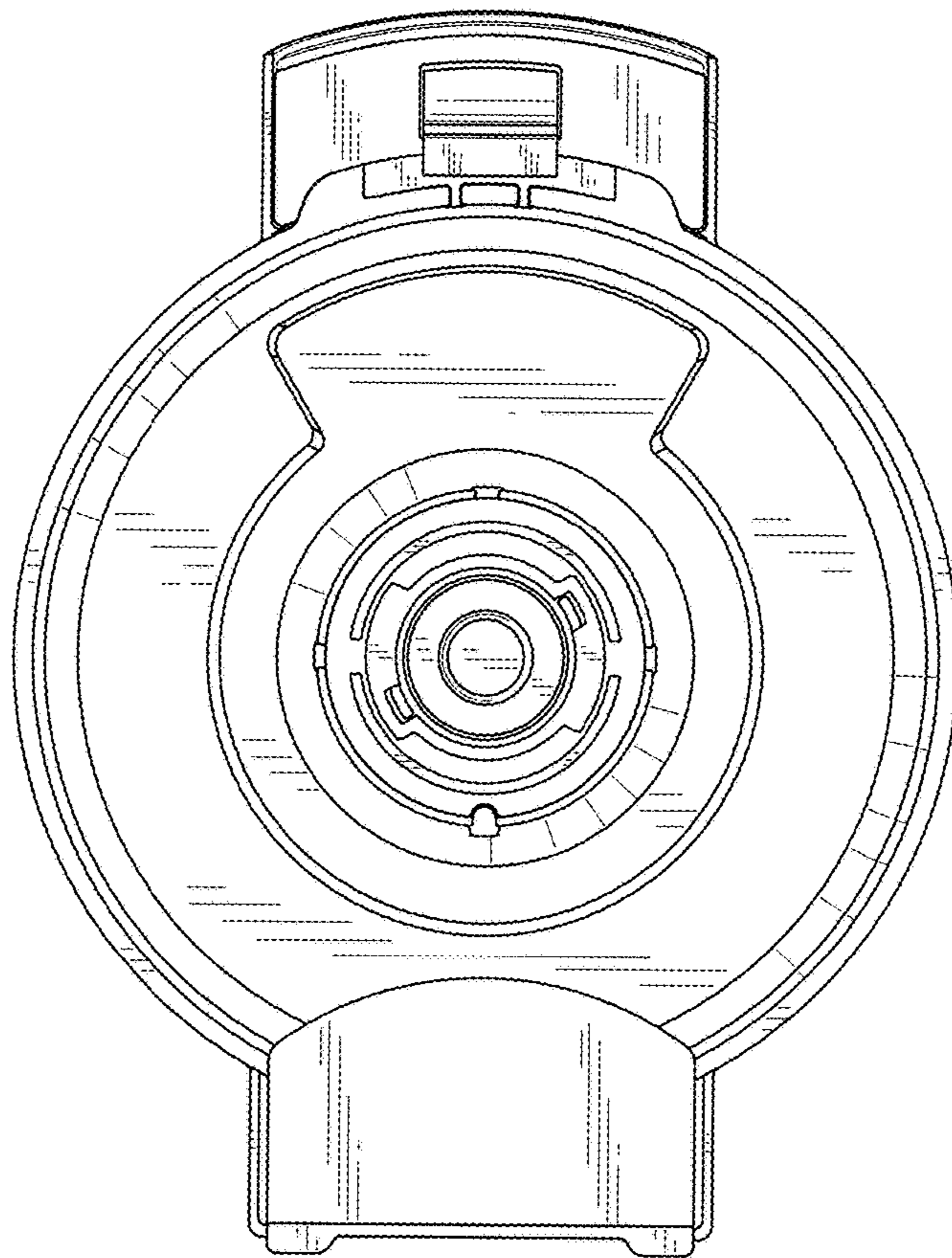


FIG.9