

US00D859056S

(12) **United States Design Patent** (10) **Patent No.:** **US D859,056 S**
Hawkins et al. (45) **Date of Patent:** **** Sep. 10, 2019**

(54) **COOKING GRILL**
(71) Applicant: **Walmart Apollo, LLC**, Bentonville, AR (US)
(72) Inventors: **Tammy Hawkins**, Centerton, AR (US); **Daron L. Steward**, Rogers, AR (US)
(73) Assignee: **WALMART APOLLO, LLC**, Bentonville, AR (US)
(**) Term: **15 Years**
(21) Appl. No.: **29/569,358**
(22) Filed: **Jun. 27, 2016**
(51) **LOC (12) Cl.** **07-02**
(52) **U.S. Cl.**
USPC **D7/352**
(58) **Field of Classification Search**
USPC D7/323, 328-330, 347, 352-364, 367, D7/402, 409-411
CPC .. A47J 27/60; A47J 27/62; A47J 37/04; A47J 37/06; A47J 37/067; A47J 37/0605; A47J 37/0611; A47J 37/0623; A21B 5/023; F24C 7/10; H05B 3/68
See application file for complete search history.

7,335,860 B2 2/2008 Li
D568,095 S * 5/2008 De' Longhi D7/362
D622,538 S * 8/2010 Hoare D7/352
(Continued)

OTHER PUBLICATIONS

Salter, "Salter EF1647 8-in-1 Multi-Cooker", Amazon.co.uk, accessed Dec. 28, 2015; 7 pages.
(Continued)

Primary Examiner — Barbara Fox
Assistant Examiner — Mehri F Bajoul
(74) *Attorney, Agent, or Firm* — Schmesier, Olsen & Watts LLP; Sean K. Enos

(57) **CLAIM**

An ornamental design for a cooking grill, as shown and described.

DESCRIPTION

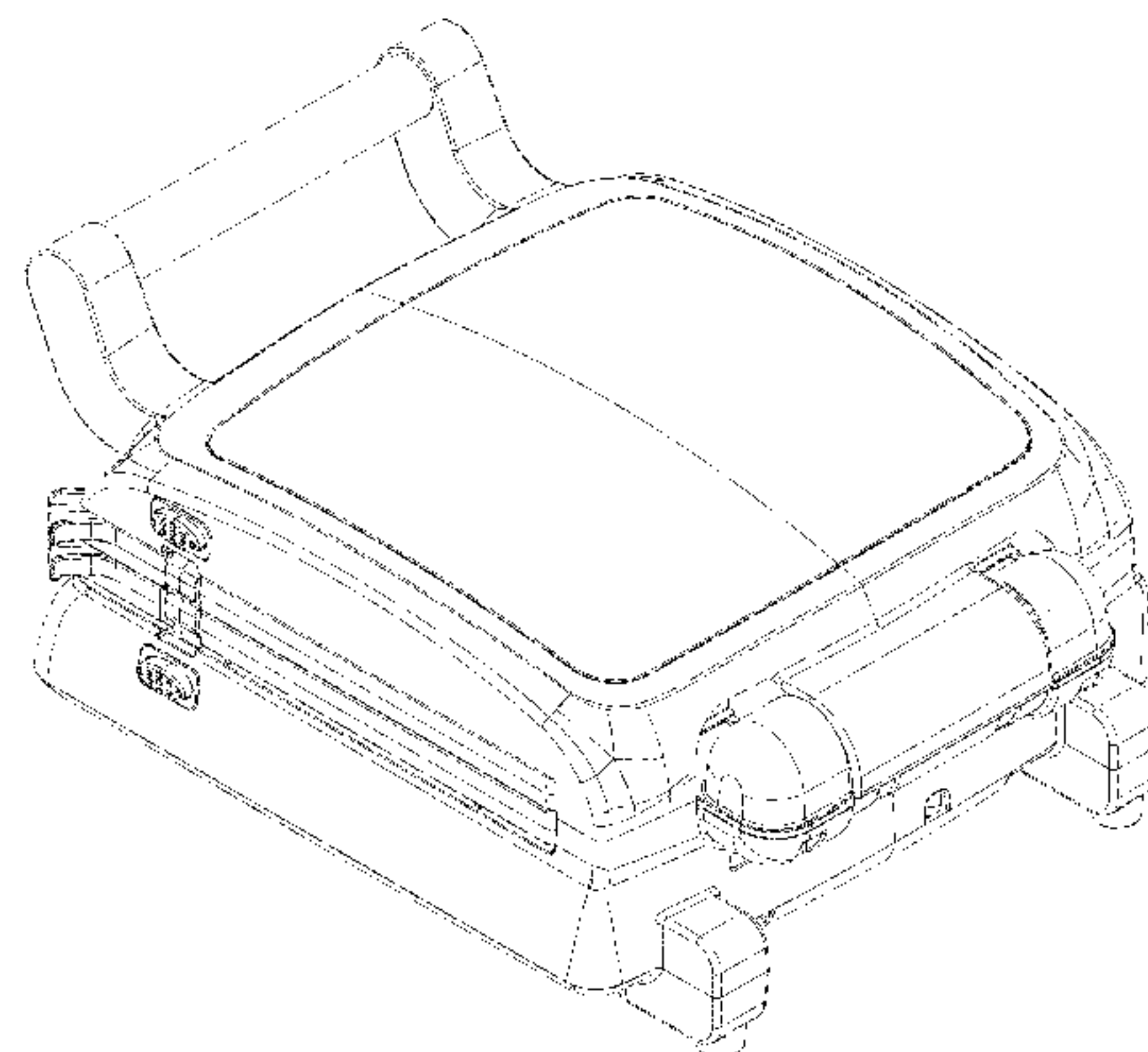
FIG. 1 is a top rear right perspective view of a cooking grill showing our new design;
FIG. 2 is a top rear left perspective view thereof;
FIG. 3 is a top front left perspective view thereof;
FIG. 4 is a top front right perspective view thereof;
FIG. 5 is a bottom rear right perspective view thereof;
FIG. 6 is a bottom rear left perspective view thereof;
FIG. 7 is a bottom front left perspective view thereof;
FIG. 8 is a bottom front right perspective view thereof
FIG. 9 is a top front right perspective view of the cooking grill in an open position;
FIG. 10 is a top front left perspective view thereof;
FIG. 11 is a front view thereof;
FIG. 12 is a rear view thereof;
FIG. 13 is a left side view thereof;
FIG. 14 is a right side view thereof;
FIG. 15 is a top plan view thereof; and,
FIG. 16 is a bottom plan view thereof.

(56) **References Cited**

U.S. PATENT DOCUMENTS

2,478,614 A 8/1949 Wilbur
D271,556 S * 11/1983 Bowen D7/352
5,467,696 A * 11/1995 Everhart A47J 37/10
99/375
D367,994 S * 3/1996 Bloom D7/352
D437,182 S * 2/2001 Choi D7/360
D437,183 S * 2/2001 Wong D7/362
6,439,108 B1 * 8/2002 Wu A47J 37/0611
99/349
6,555,795 B2 4/2003 Glucksman et al.
6,603,099 B2 8/2003 Gouthiere
D525,078 S * 7/2006 Hoenstein D7/359
D548,002 S * 8/2007 De'Longhi D7/362

1 Claim, 16 Drawing Sheets



(56)

References Cited

U.S. PATENT DOCUMENTS

D644,477 S * 9/2011 Burton D7/352
 D668,906 S * 10/2012 Lavy D7/352
 D669,300 S * 10/2012 Lavy D7/352
 D671,791 S * 12/2012 Cesaroni D7/352
 D676,273 S * 2/2013 Liu D7/352
 D679,129 S * 4/2013 Cesaroni D7/352
 D687,676 S * 8/2013 Engler D7/352
 D707,075 S * 6/2014 Fung D7/352
 D711,186 S * 8/2014 De'Longhi D7/352
 D714,092 S * 9/2014 Verbrugge D7/352
 D718,976 S * 12/2014 Miller D7/352
 D731,227 S * 6/2015 Marsh-Croft D7/352
 D741,651 S * 10/2015 Marsh-Croft D7/352
 D749,887 S * 2/2016 Chang D7/352
 D755,560 S * 5/2016 Day D7/352
 D760,015 S * 6/2016 Koszylko D7/352
 D760,016 S * 6/2016 Koszylko D7/352
 D760,532 S * 7/2016 Koszylko D7/352
 D764,223 S * 8/2016 Lee D7/352
 D766,038 S * 9/2016 Dimino D7/352
 D766,645 S * 9/2016 Koszylko D7/352

D769,059 S * 10/2016 Lee D7/352
 D781,637 S * 3/2017 Mercier D7/348
 2010/0326286 A1 12/2010 Romero et al.
 2011/0095015 A1 4/2011 Kao
 2011/0156564 A1 6/2011 Park
 2011/0214576 A1* 9/2011 Li A47J 37/0611
 99/379
 2015/0312964 A1 10/2015 Sorenson et al.
 2017/0181574 A1 6/2017 Altenritter et al.

OTHER PUBLICATIONS

Prolink Asia, "8-in-1 Cooking Master", ProlinkAsia.com, accessed Dec. 28, 2015; 4 pages.
 Delang (Shunde) Electrical Appliance Co. Ltd., "8 in 1 Cooking Master, multi cooker, wonder cooker, multifunction", delang-sd.en.alibaba.com, accessed Dec. 28, 2015; 5 pages.
 Kawachi Group, "Kawachi 8-in-1 Multi Function Ultra Chef Multi Cooker-White", KawachiGroup.com, accessed Dec. 28, 2015; 8 pages.
 Non-Final Office Action in U.S. Appl. No. 15/472,631 dated Jun. 24, 2019; 28 pages.

* cited by examiner

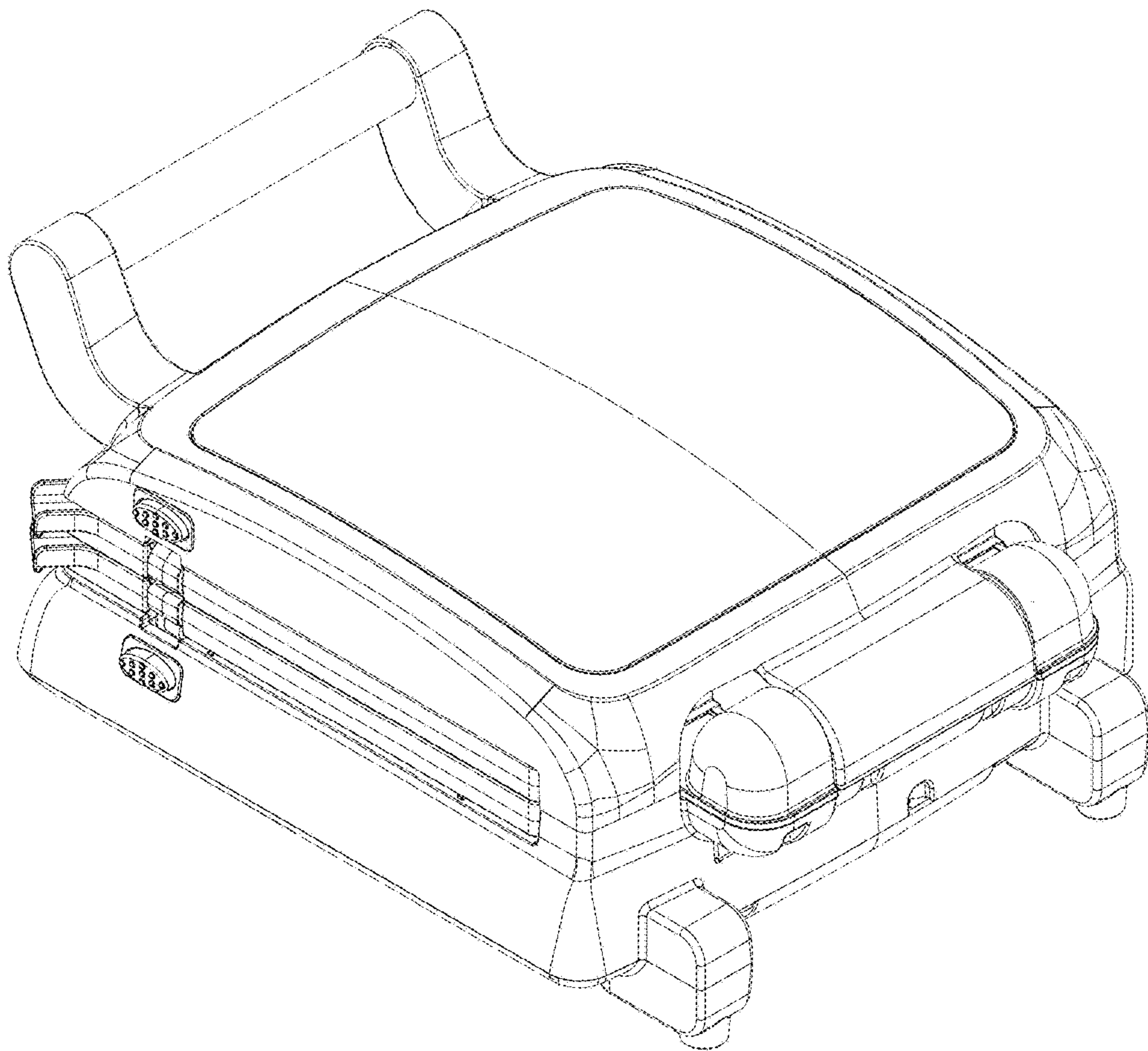


FIG. 1

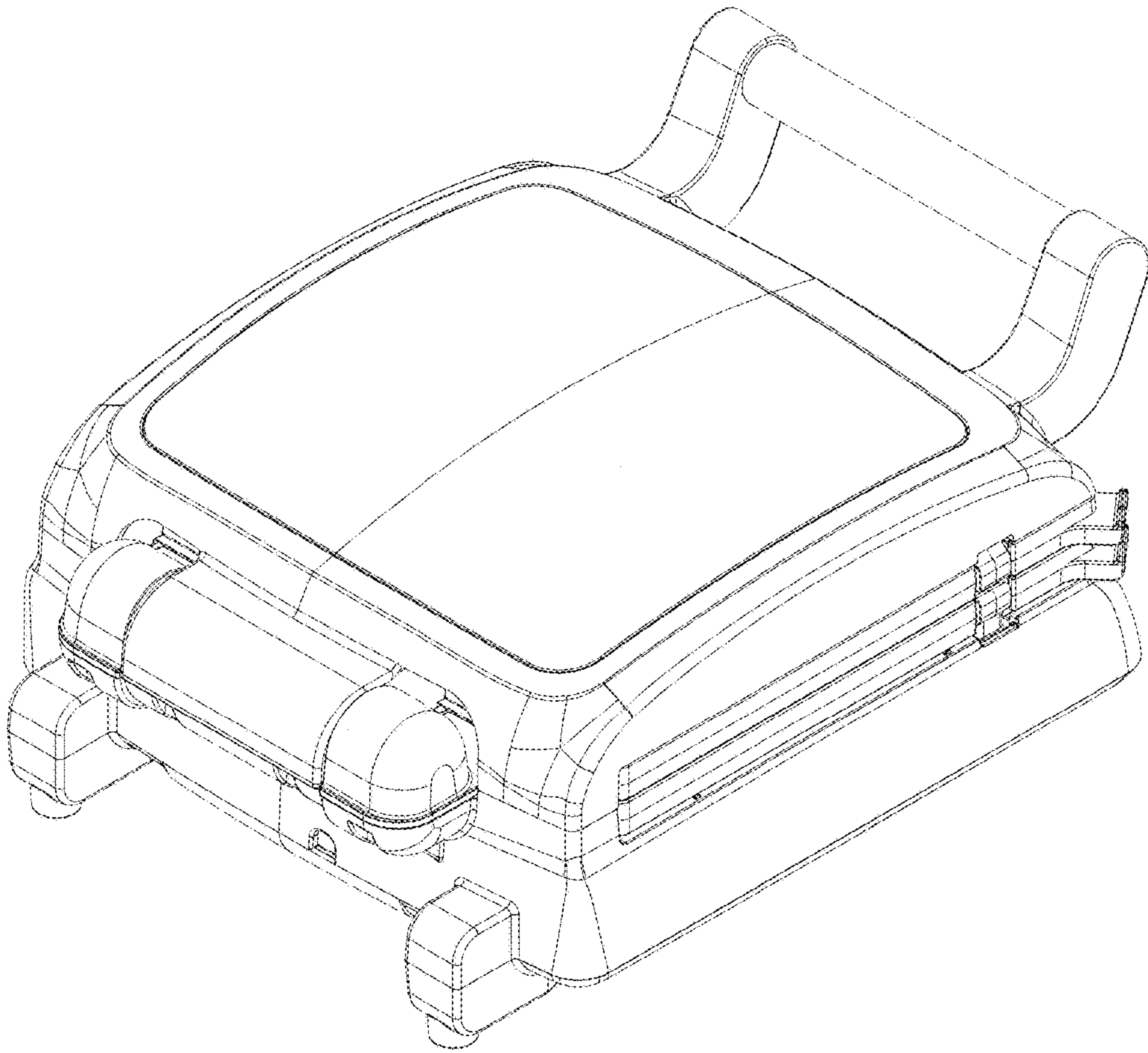


FIG. 2

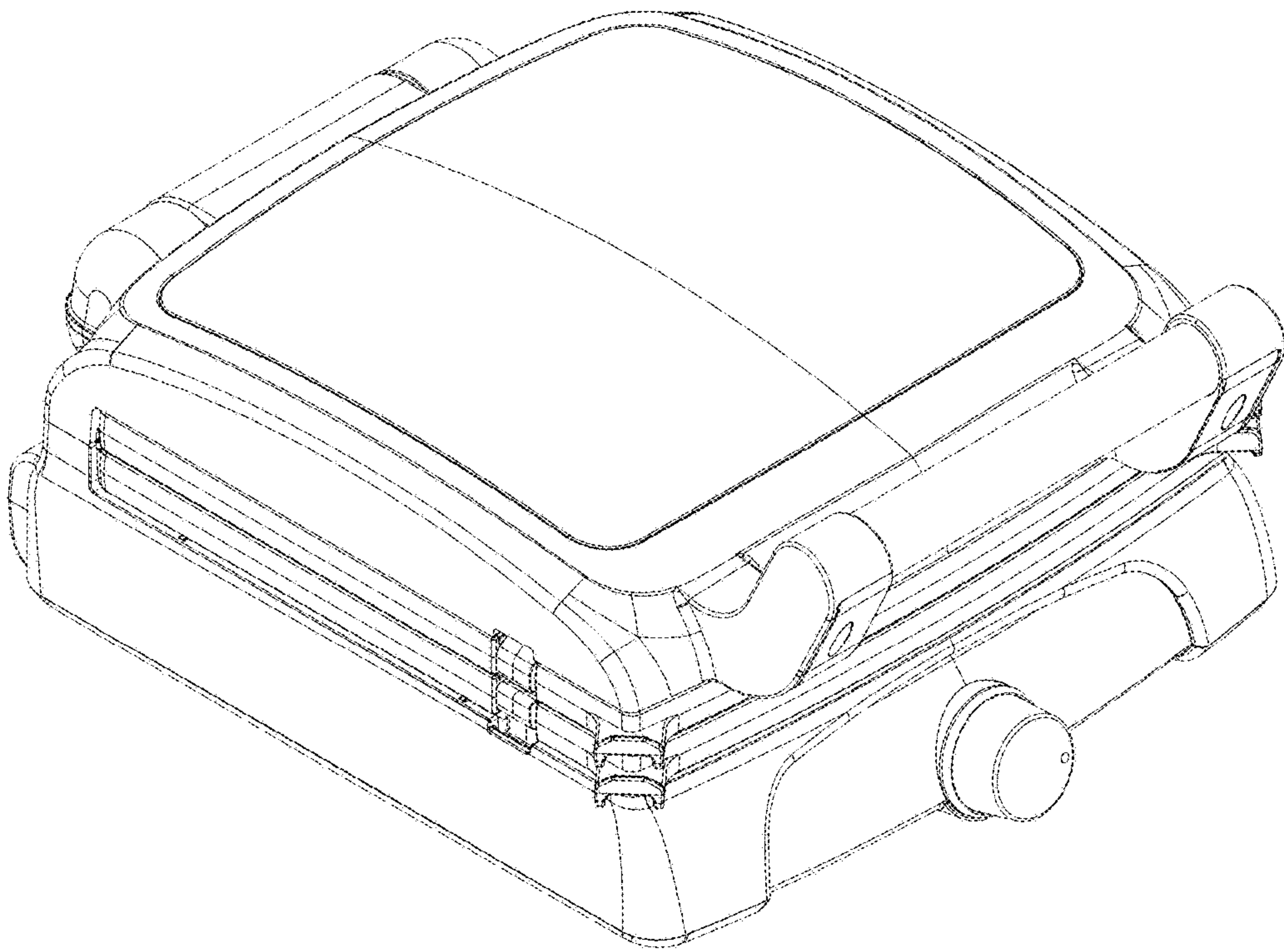


FIG. 3

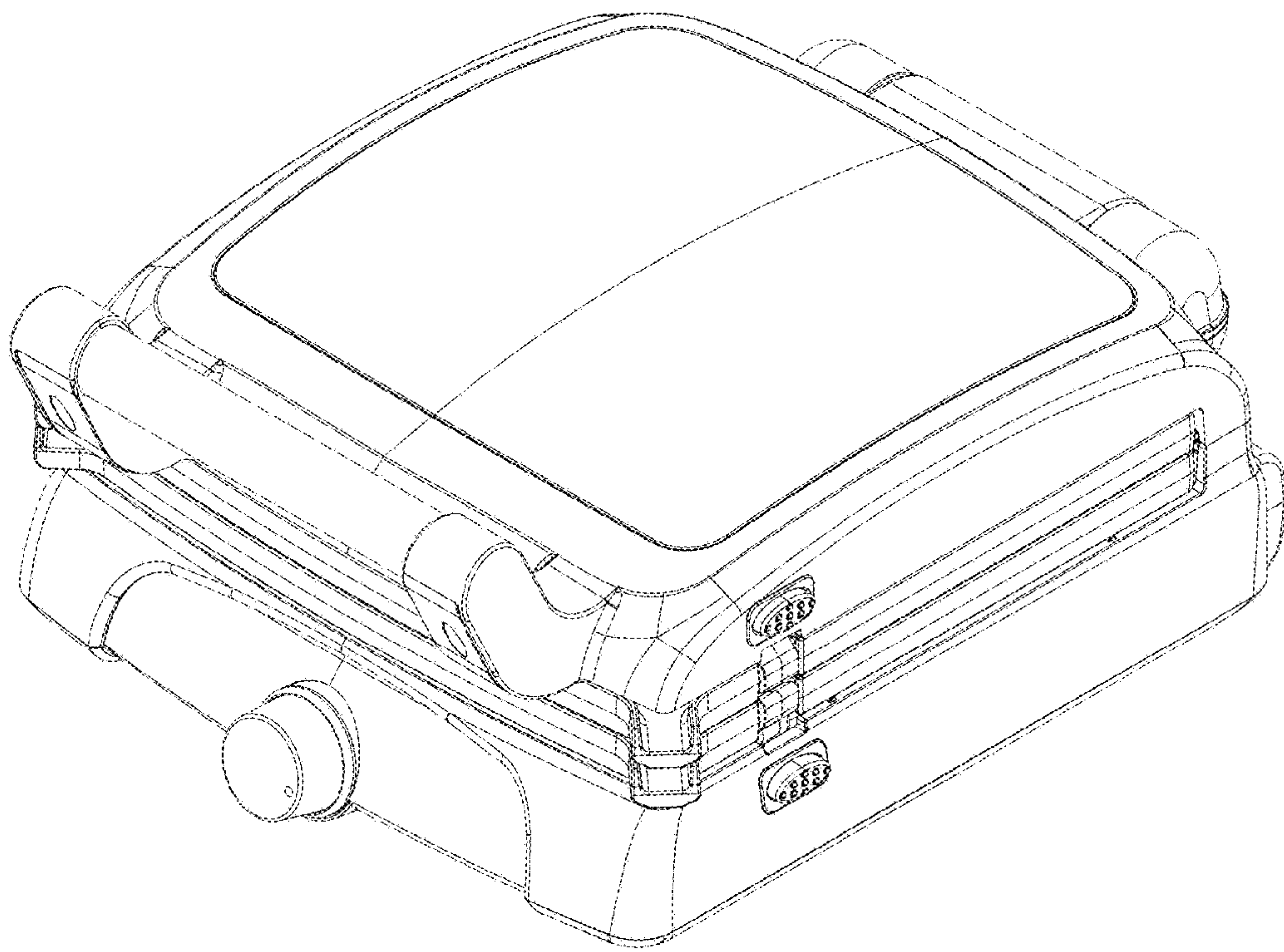


FIG. 4

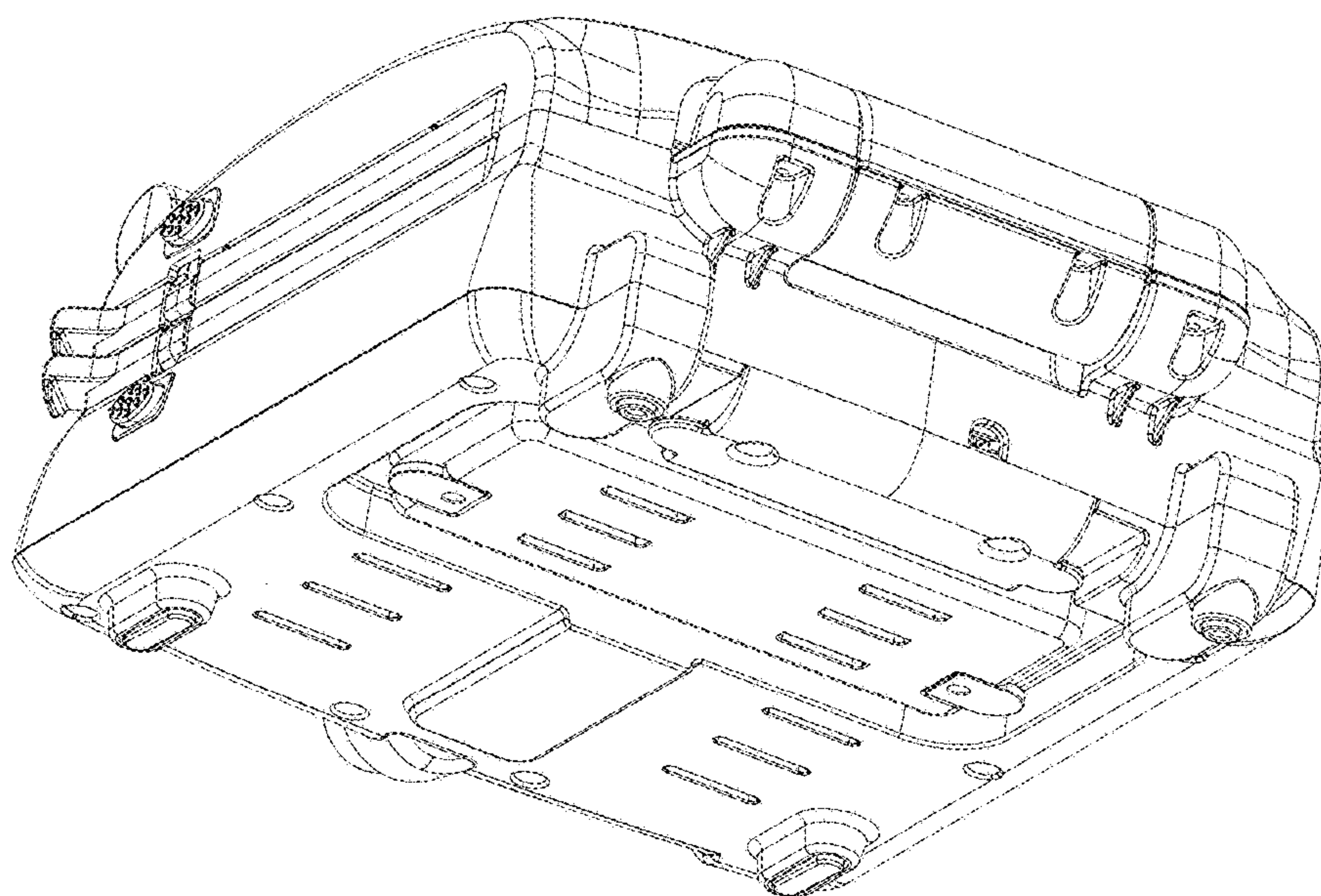


FIG. 5

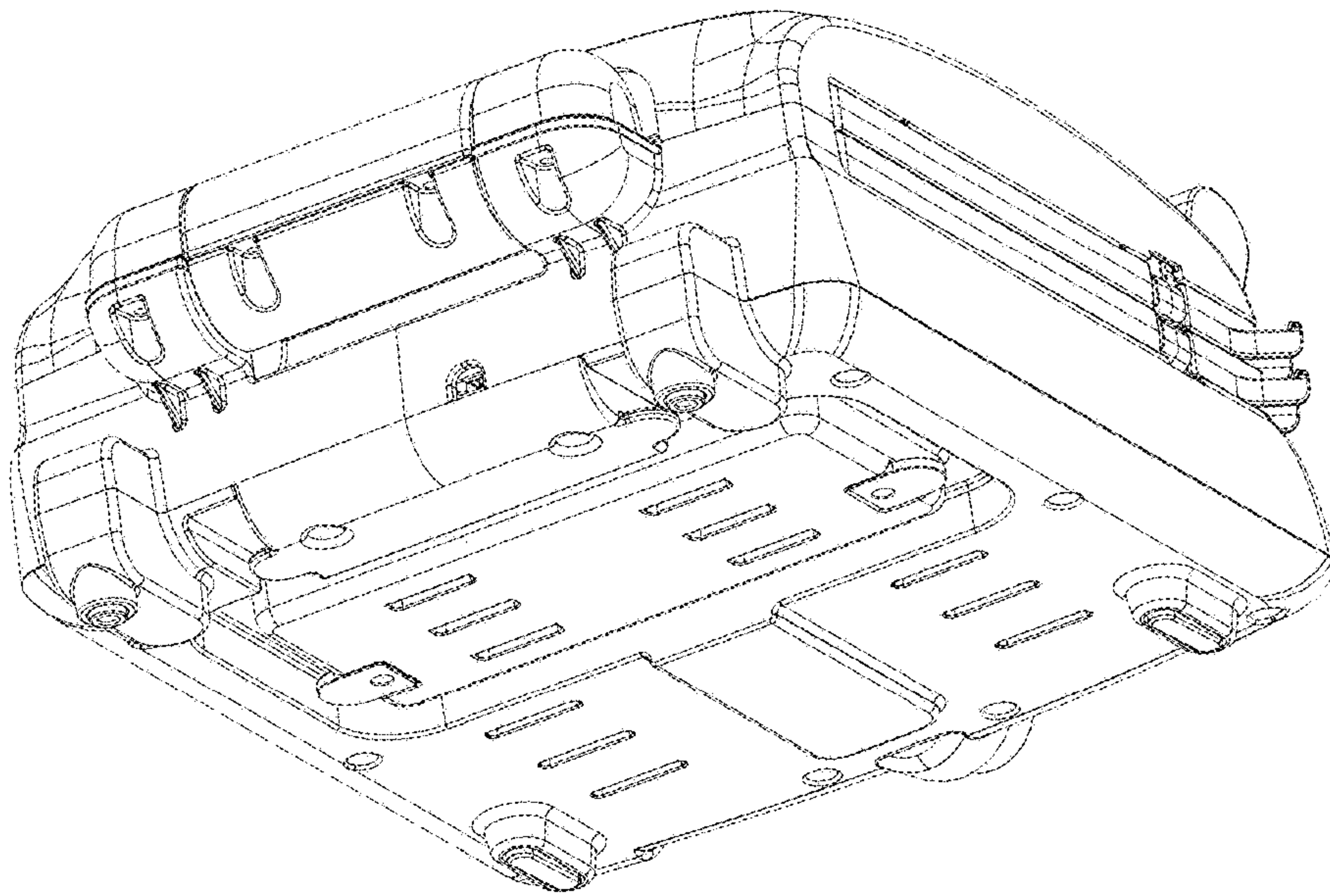


FIG. 6

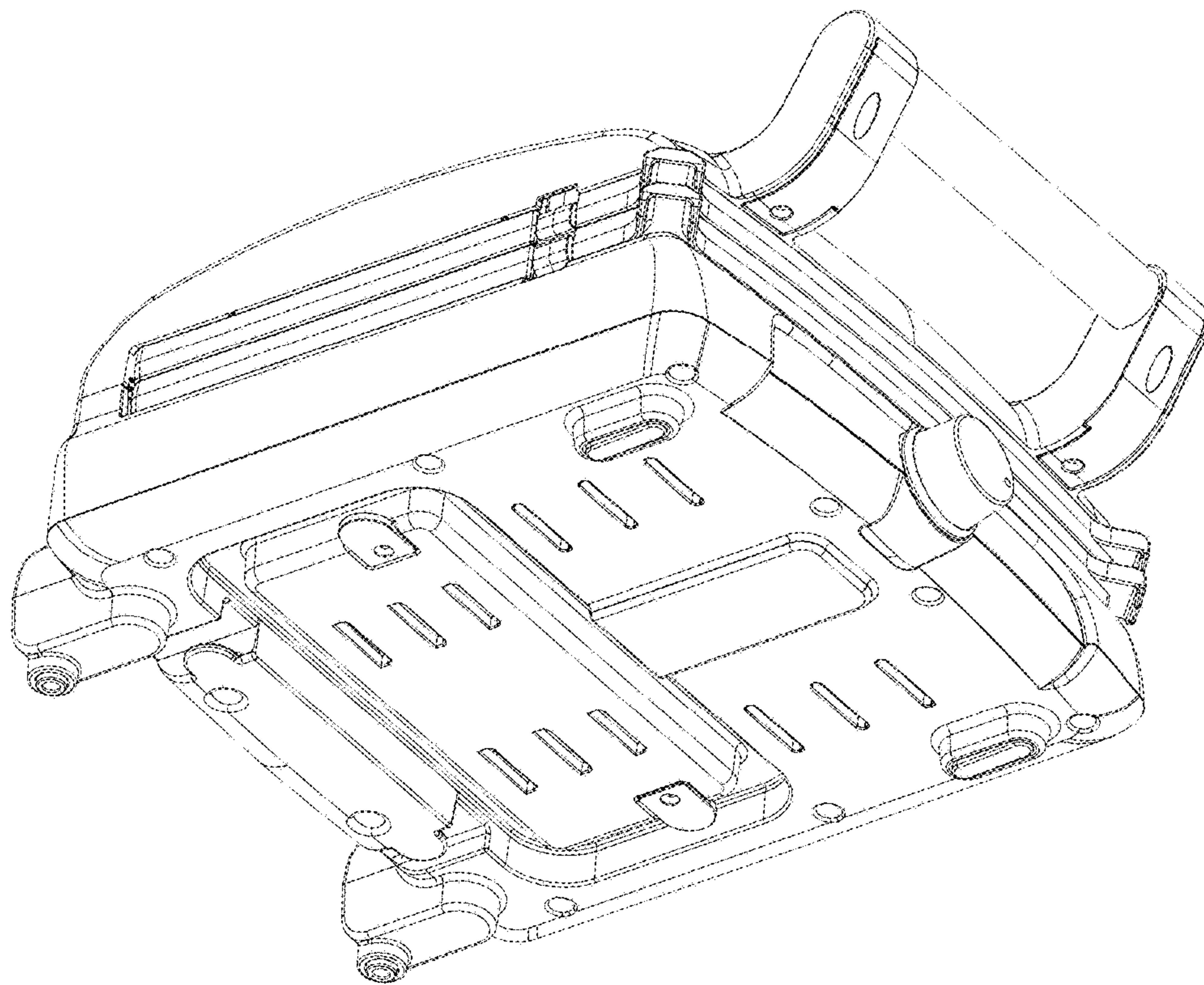


FIG. 7

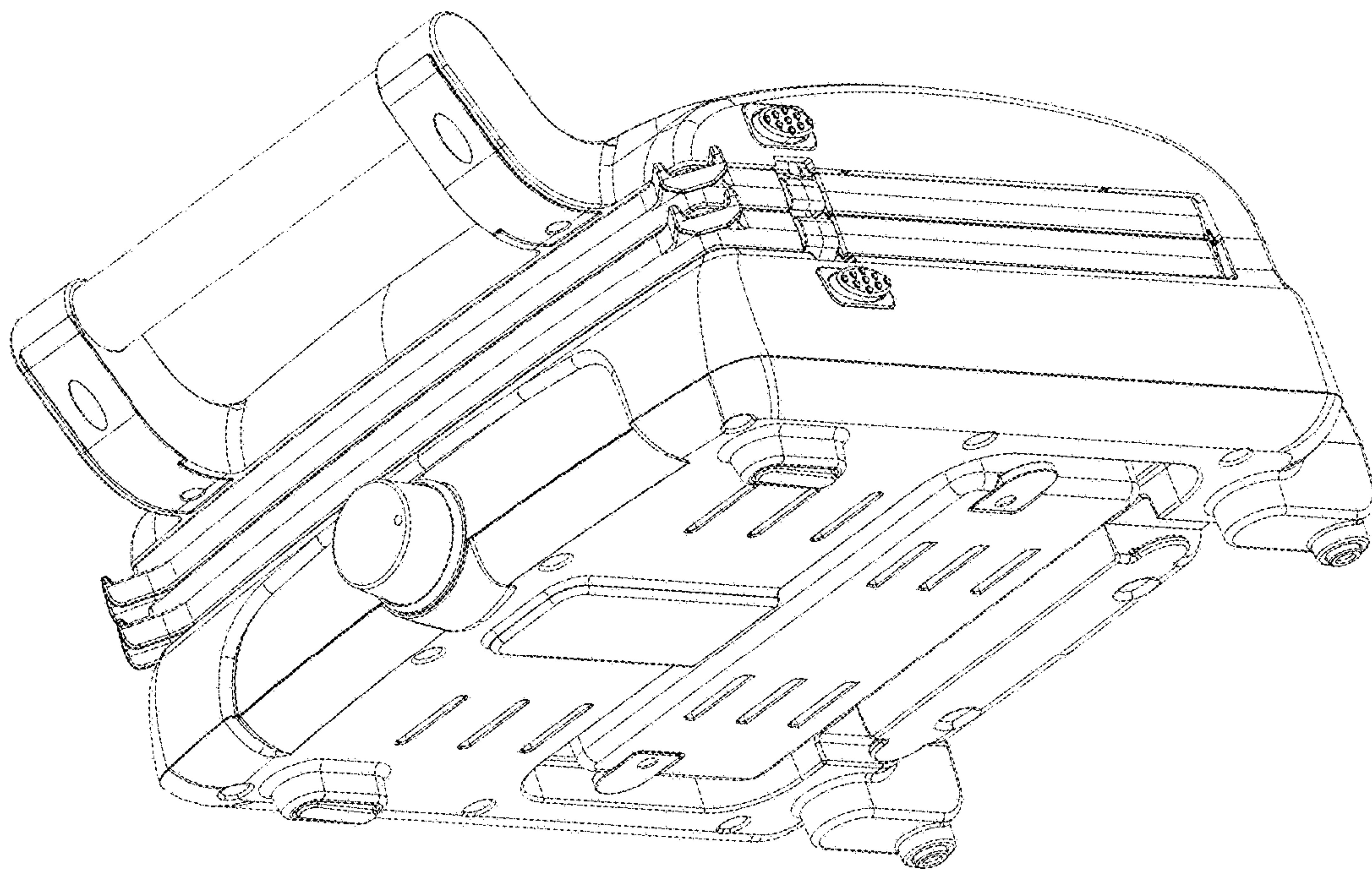


FIG. 8

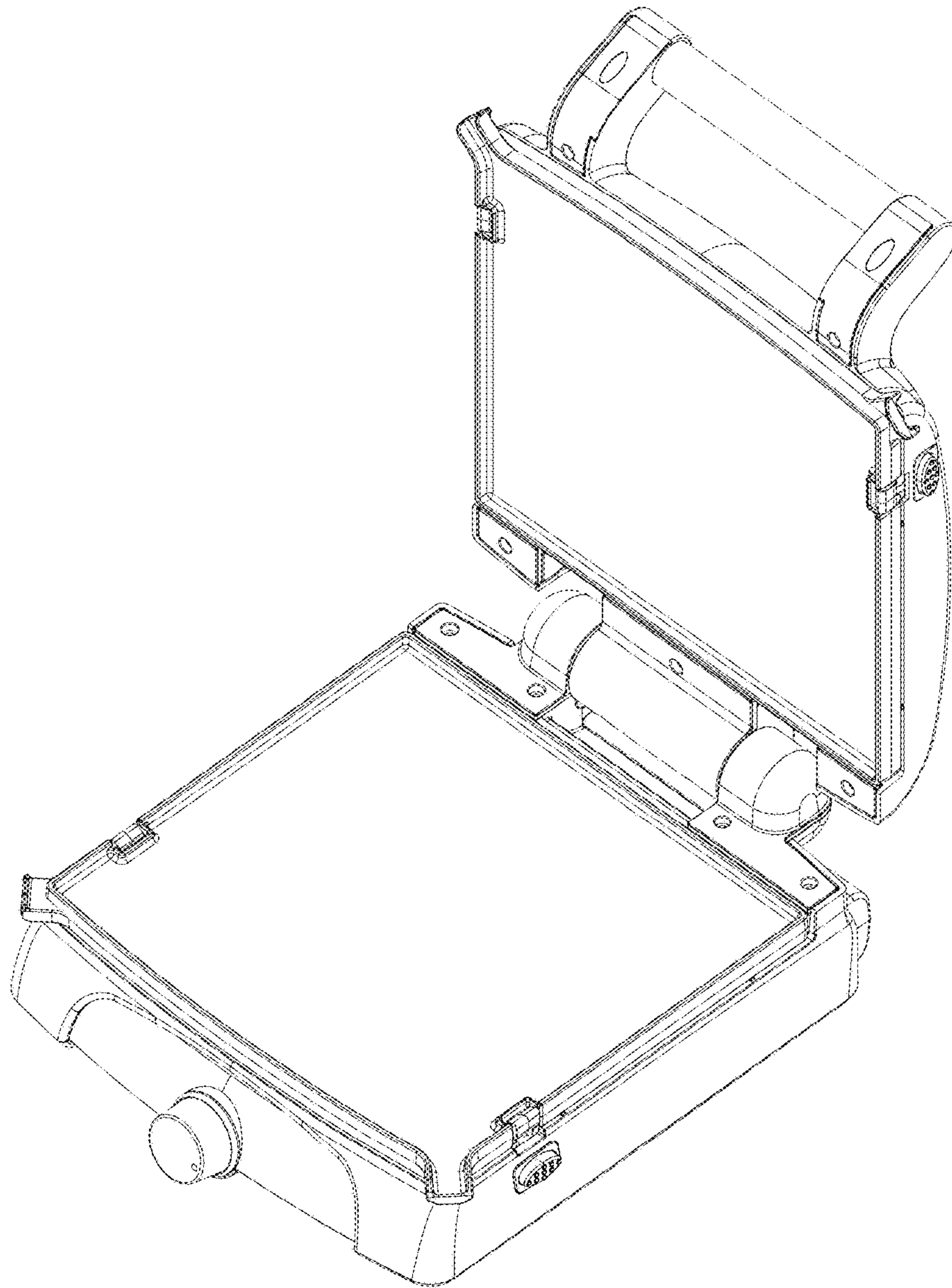


FIG. 9

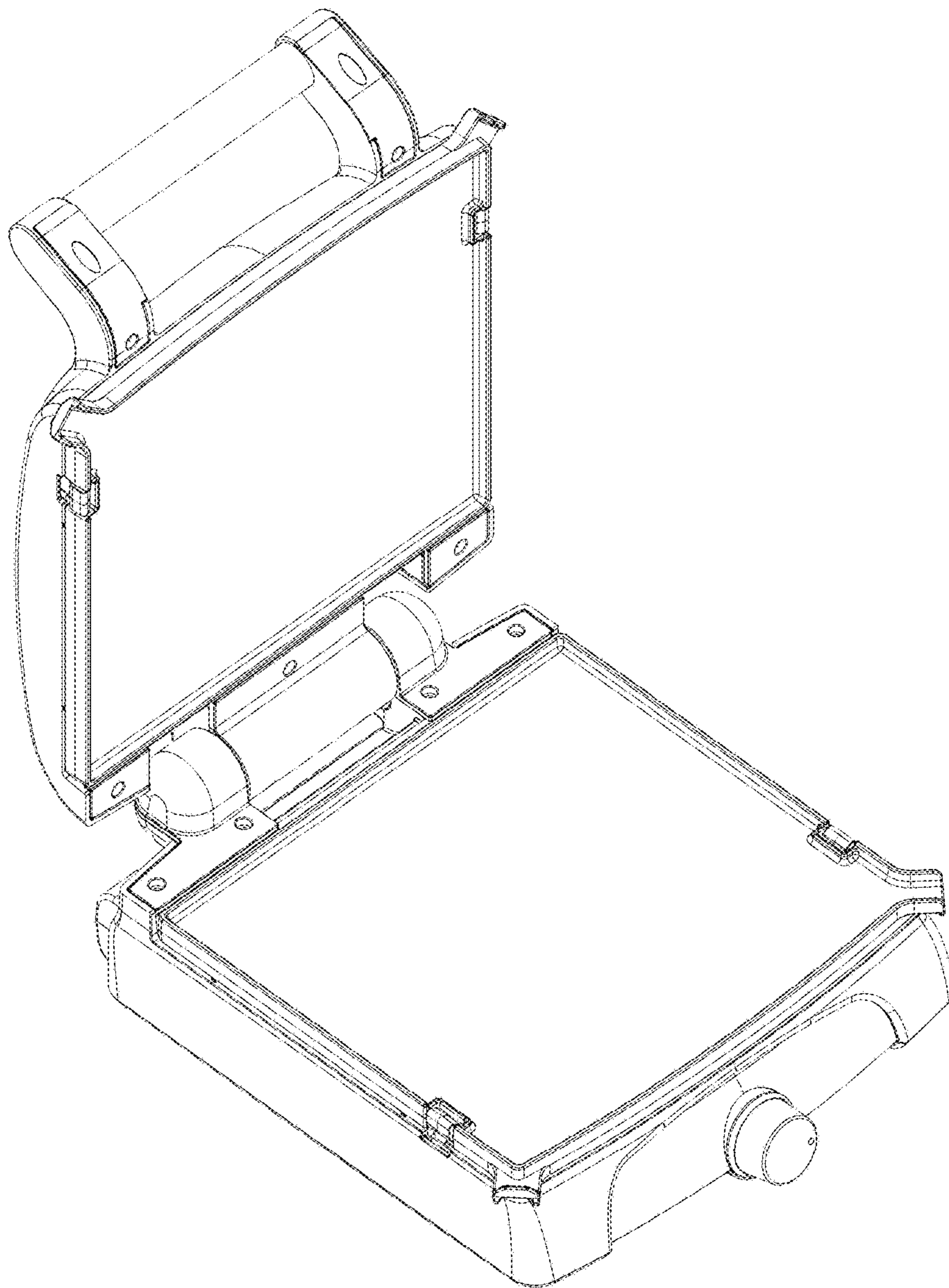


FIG. 10

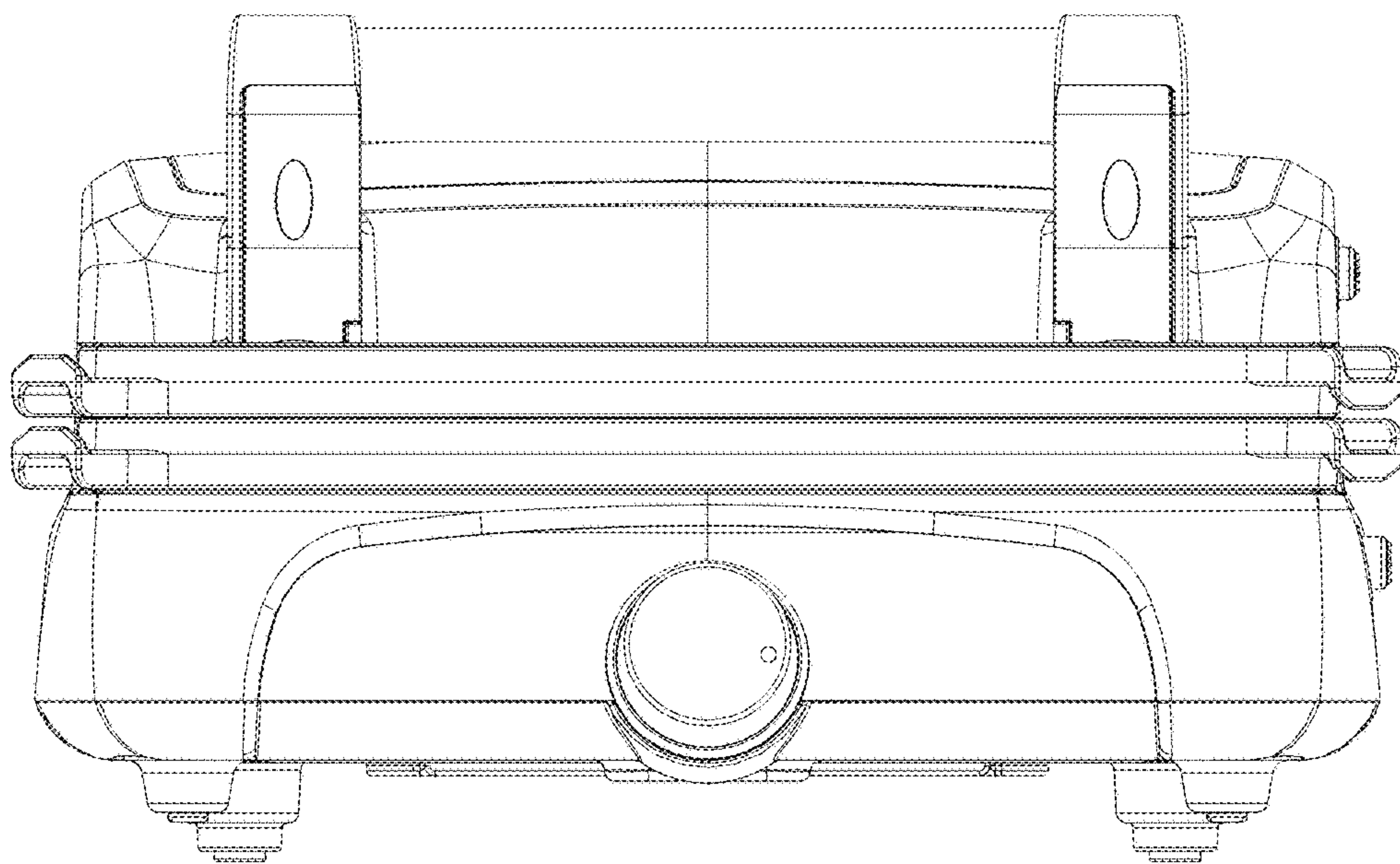


FIG. 11

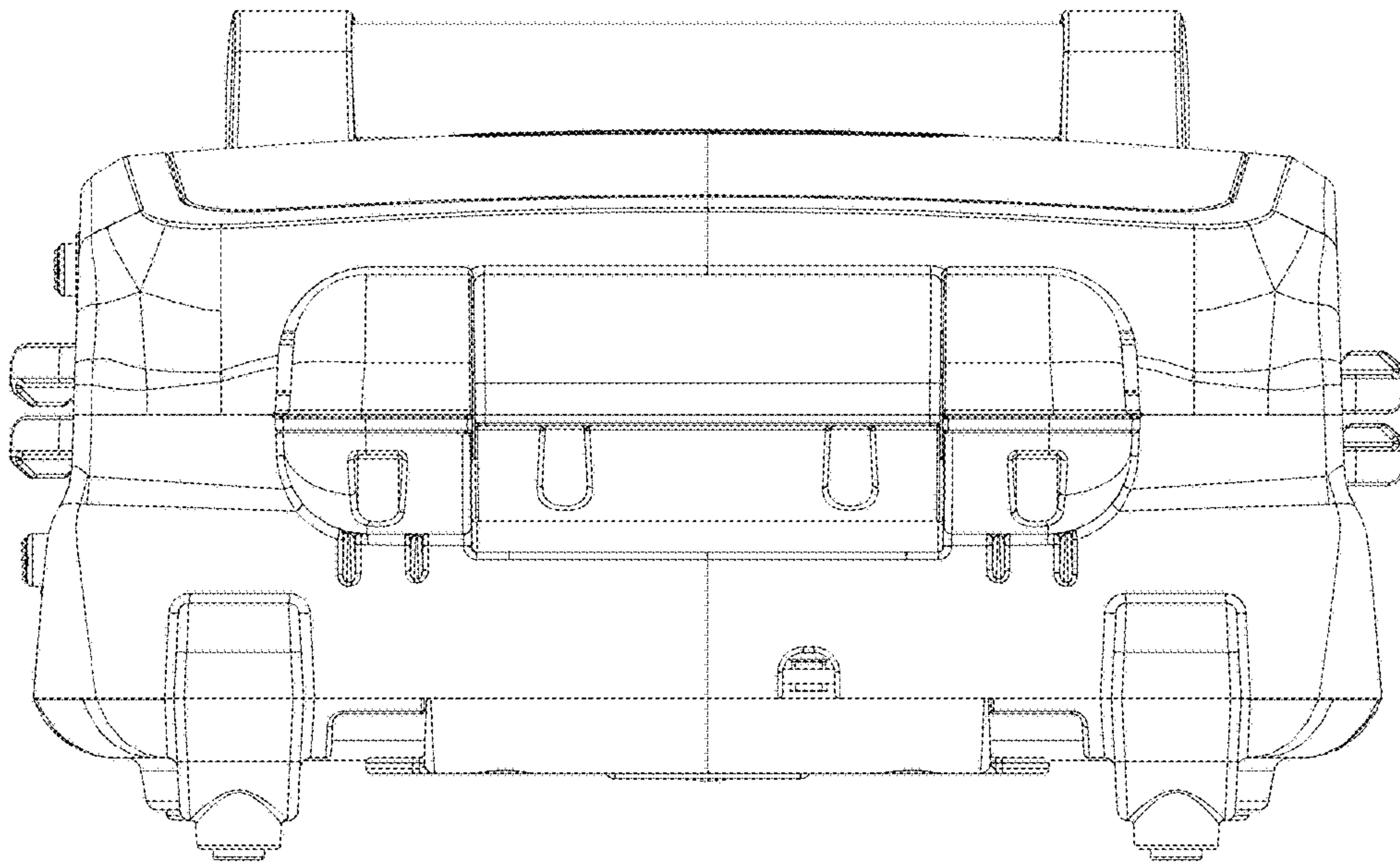


FIG. 12

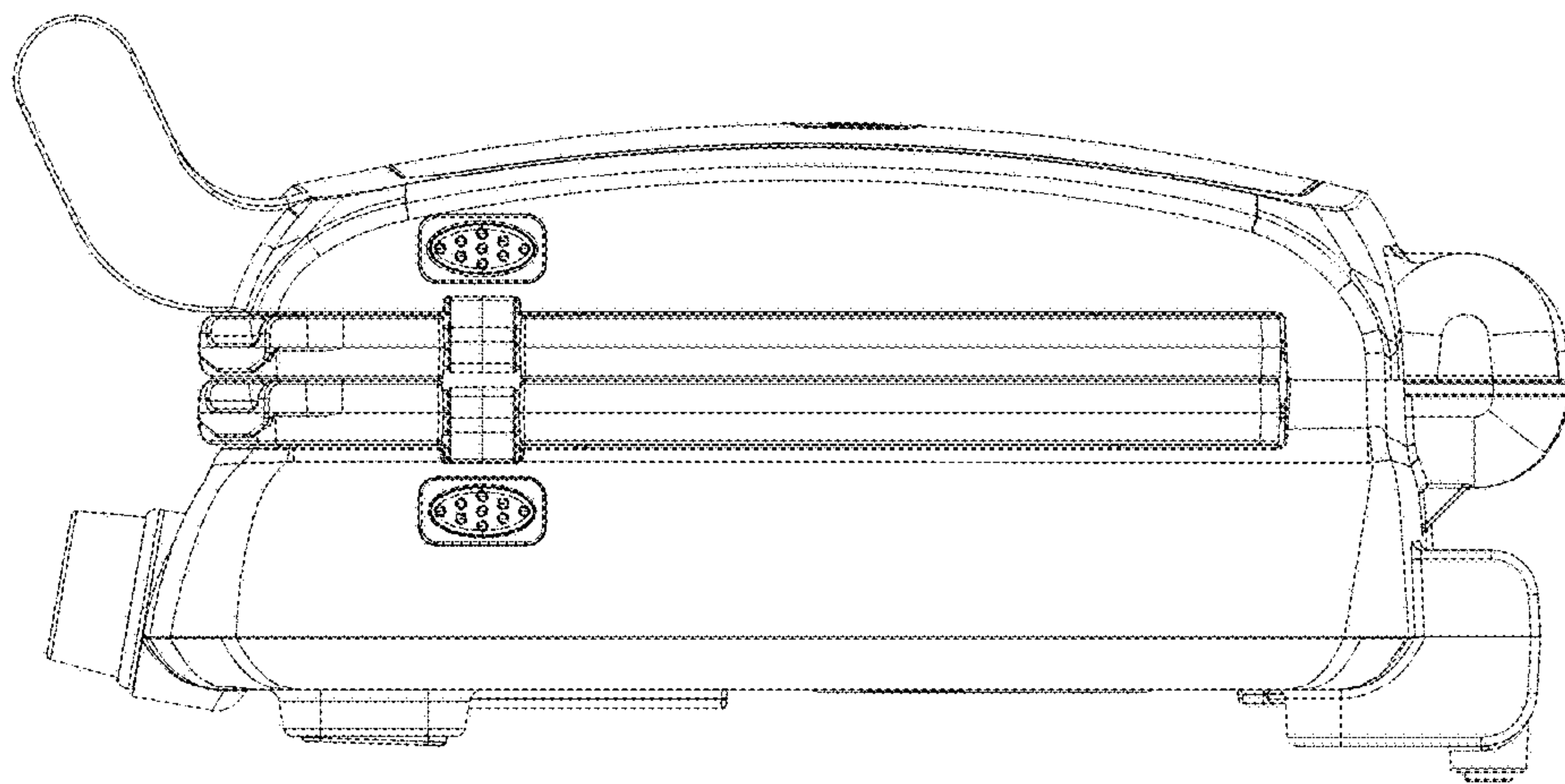


FIG. 13

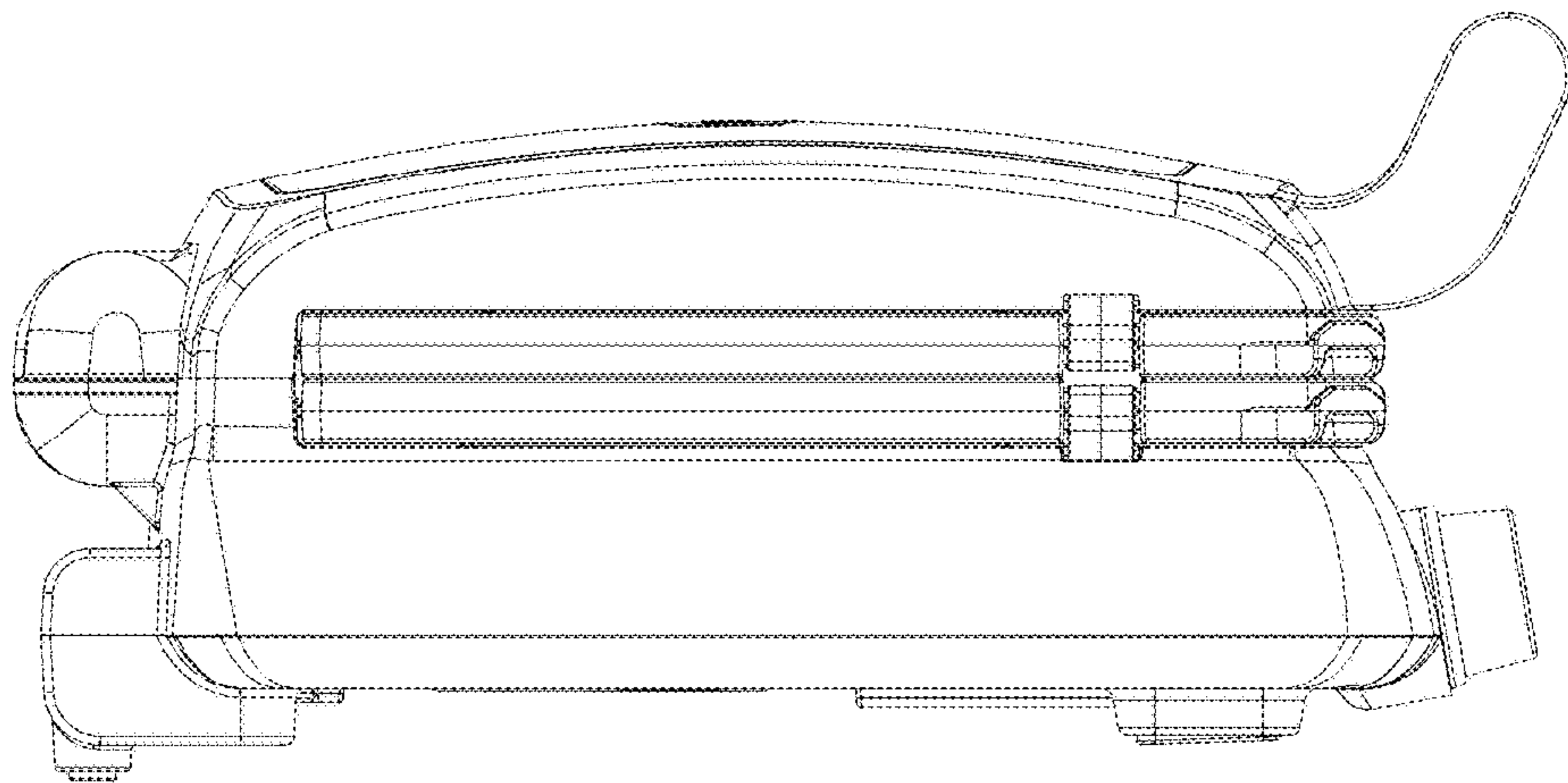


FIG. 14

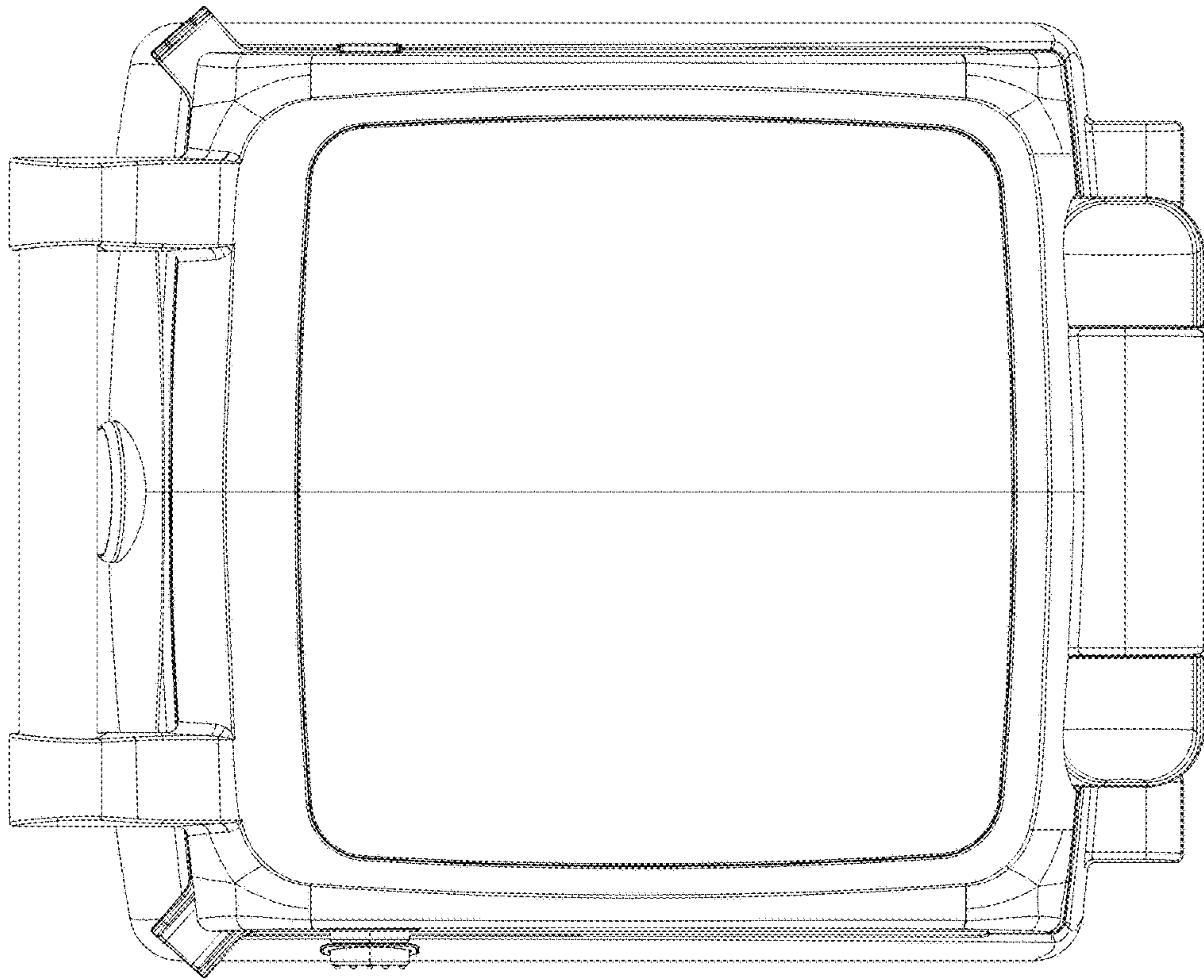


FIG. 15

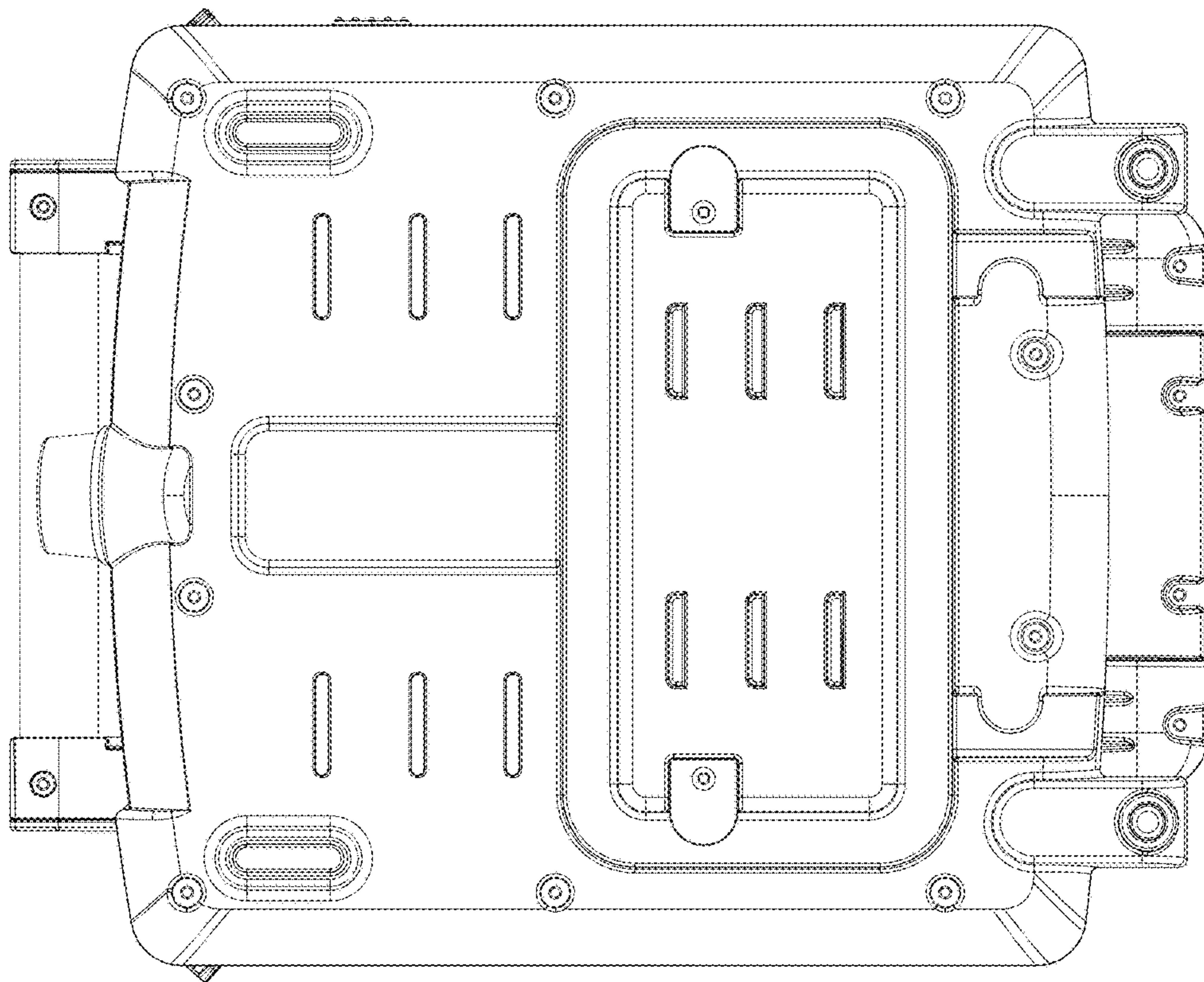


FIG. 16