



US00D859054S

(12) **United States Design Patent**  
**Kim et al.**

(10) **Patent No.:** **US D859,054 S**

(45) **Date of Patent:** **\*\* Sep. 10, 2019**

- (54) **OVEN**
- (71) Applicant: **SAMSUNG ELECTRONICS CO., LTD.**, Suwon-si, Gyeonggi-do (KR)
- (72) Inventors: **Hyunsoo Kim**, Seongnam-si (KR);  
**Hwanwoong Choi**, Seoul (KR)
- (73) Assignee: **SAMSUNG ELECTRONICS CO., LTD.**, Gyeonggi-Do (KR)

D781,096 S *	3/2017	Kim	.....	D7/339
D785,398 S *	5/2017	Kim	.....	D7/340
D786,005 S *	5/2017	Kim	.....	D7/340
D786,006 S *	5/2017	Chung	.....	D7/340
D787,257 S *	5/2017	Kim	.....	D7/339
D790,916 S *	7/2017	Kim	.....	D7/406
D797,504 S *	9/2017	Shoemaker	.....	D7/408

(Continued)

(\*\*) Term: **15 Years**

**FOREIGN PATENT DOCUMENTS**

EM	0012053480005	4/2010
EM	0020232340008	4/2012

(Continued)

(21) Appl. No.: **29/650,417**

**OTHER PUBLICATIONS**

(22) Filed: **Jun. 6, 2018**

Consumer Reports, [online]; [retrieved on Jun. 4, 2018]; retrieved from the Internet [https://www.consumerreports.org/products/gas-range/ge-cafecgs990setss-197977/overview/Consumer Reports, "GE Cafe CGS990SETSS range," Consumer Reports; 2018, pp. 1-2.](https://www.consumerreports.org/products/gas-range/ge-cafecgs990setss-197977/overview/Consumer%20Reports,%20%E2%80%9E%20GE%20Cafe%20CGS990SETSS%20range,%20Consumer%20Reports,%202018,%20pp.%201-2.)

(Continued)

(30) **Foreign Application Priority Data**

Feb. 19, 2018 (KR) ..... 30-2018-0008270

(51) **LOC (12) Cl.** ..... **07-02**

(52) **U.S. Cl.**  
USPC ..... **D7/340; D7/339; D7/347; D7/348**

(58) **Field of Classification Search**  
USPC ..... D7/323, 328-330, 339-349, 390,  
D7/402-408; D8/300-306  
CPC ... A21B 2/00; A47J 37/00; A47J 37/06; A47J  
37/0611; A47J 37/08; A47J 37/0807;  
A47J 37/0814; A47J 37/0835; A47J  
37/0842; A47J 37/085; A47J 37/0864;  
A47J 37/0878; A47J 37/0885; A47J  
37/0892; F24C 7/00; F24C 7/002; F24C  
7/046; F24C 7/067; F24C 15/02; F24C  
15/04; F24C 15/10; F24C 15/102  
See application file for complete search history.

*Primary Examiner* — Ricky Pham  
(74) *Attorney, Agent, or Firm* — Cantor Colburn LLP

(57) **CLAIM**

The ornamental design for an oven, as shown and described.

**DESCRIPTION**

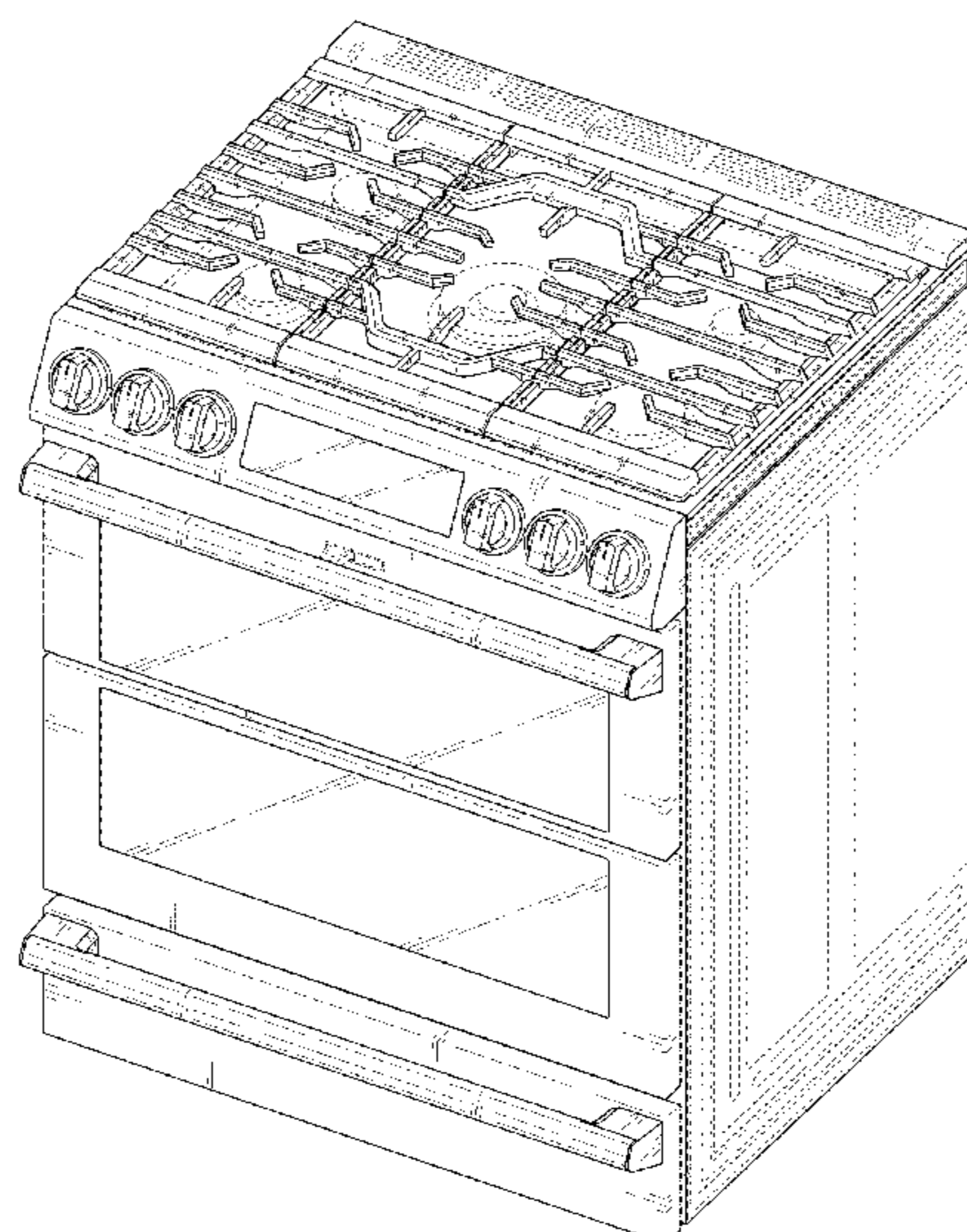
FIG. 1 is a front perspective view of an oven, showing our new design;  
FIG. 2 is a front view thereof;  
FIG. 3 is a rear view thereof;  
FIG. 4 is a left-side view thereof;  
FIG. 5 is a right-side view thereof;  
FIG. 6 is a top view thereof; and,  
FIG. 7 is a bottom view thereof.  
The broken lines depict portions of the oven that form no part of the claimed design.

(56) **References Cited**

**U.S. PATENT DOCUMENTS**

D763,616 S *	8/2016	Kim	.....	D7/339
D773,232 S *	12/2016	Shoemaker	.....	D7/339

**1 Claim, 7 Drawing Sheets**



(56)

**References Cited**

U.S. PATENT DOCUMENTS

D798,108 S \* 9/2017 Shoemaker ..... D7/408  
D816,386 S \* 5/2018 Kim ..... D7/340  
D817,685 S \* 5/2018 Incukur ..... D7/340  
D840,738 S \* 2/2019 Chung ..... D7/340

FOREIGN PATENT DOCUMENTS

KR 300346428 3/2004  
KR 300777511 12/2014  
KR 300784884 2/2015  
KR 300784885 2/2015

OTHER PUBLICATIONS

Yale, [online]; [retrieved on Jun. 4, 2018]; retrieved from the Internet <https://blog.yaleappliance.com/frigidaire-pro-vs-ge-profile-gas-slidein-ranges> Yale, "Frigidaire Professional vs. GE Profile Gas Slide-ins (Reviews / Ratings)," 2018, pp. 1-11.

\* cited by examiner

FIG. 1

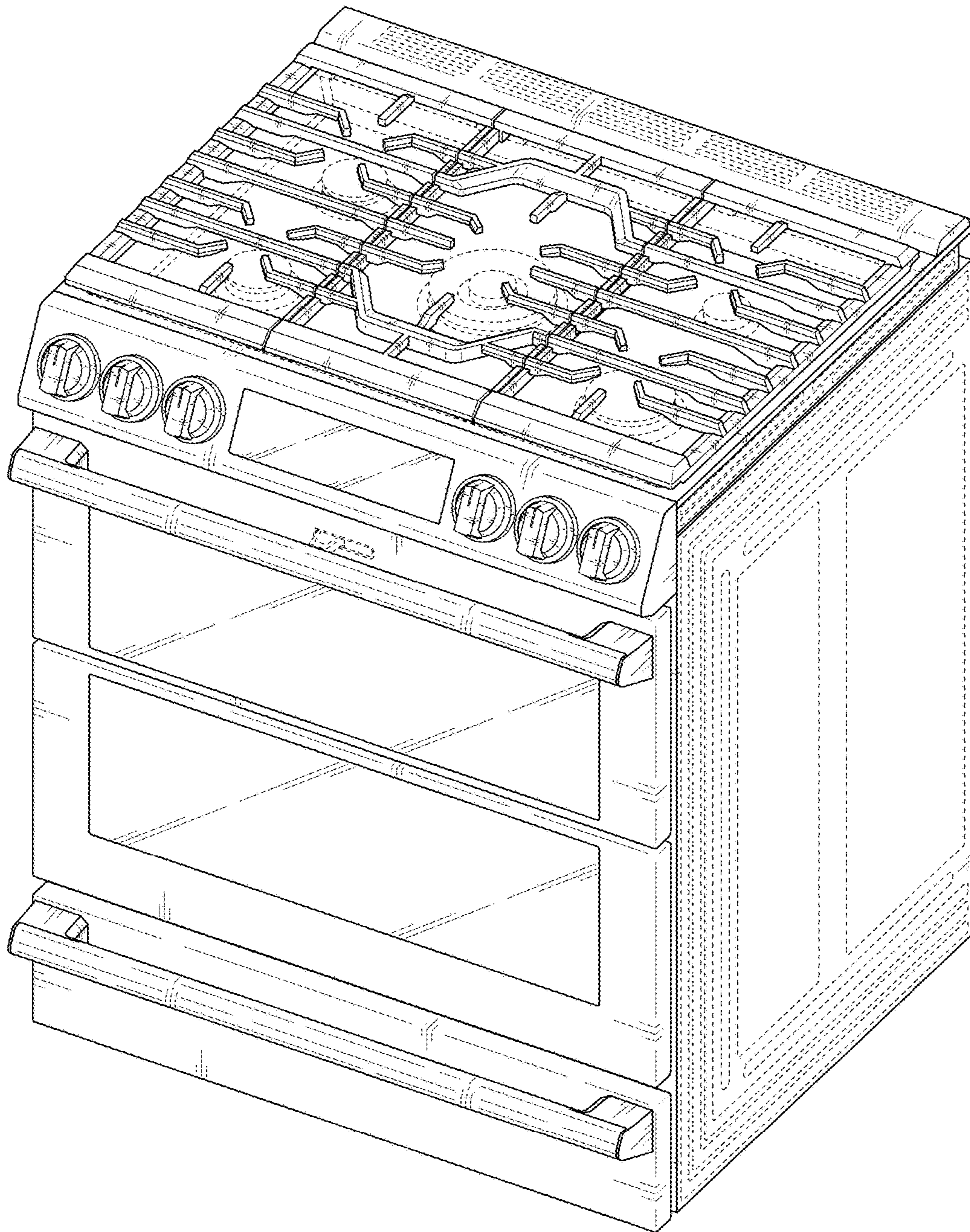


FIG. 2

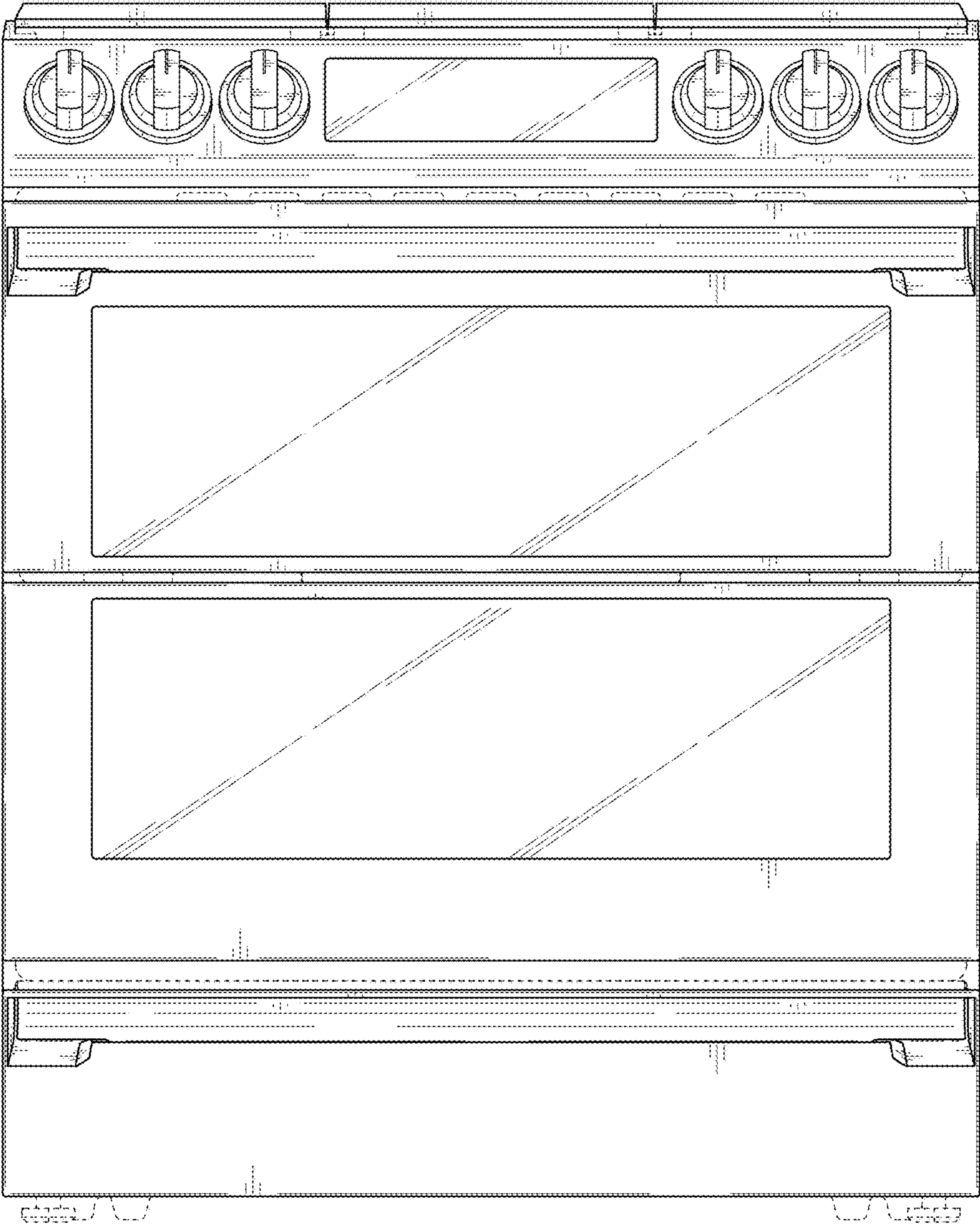


FIG. 3

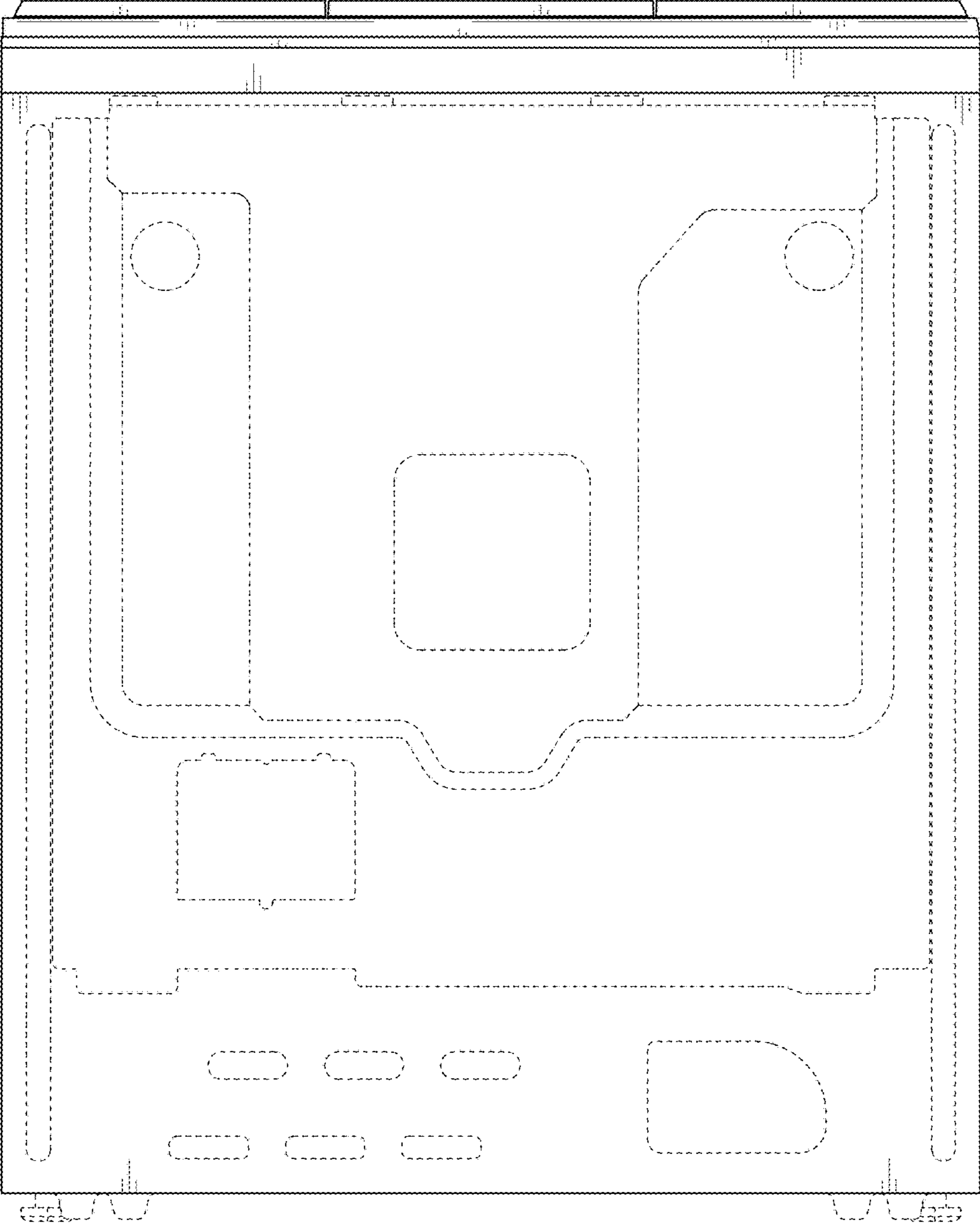


FIG. 4

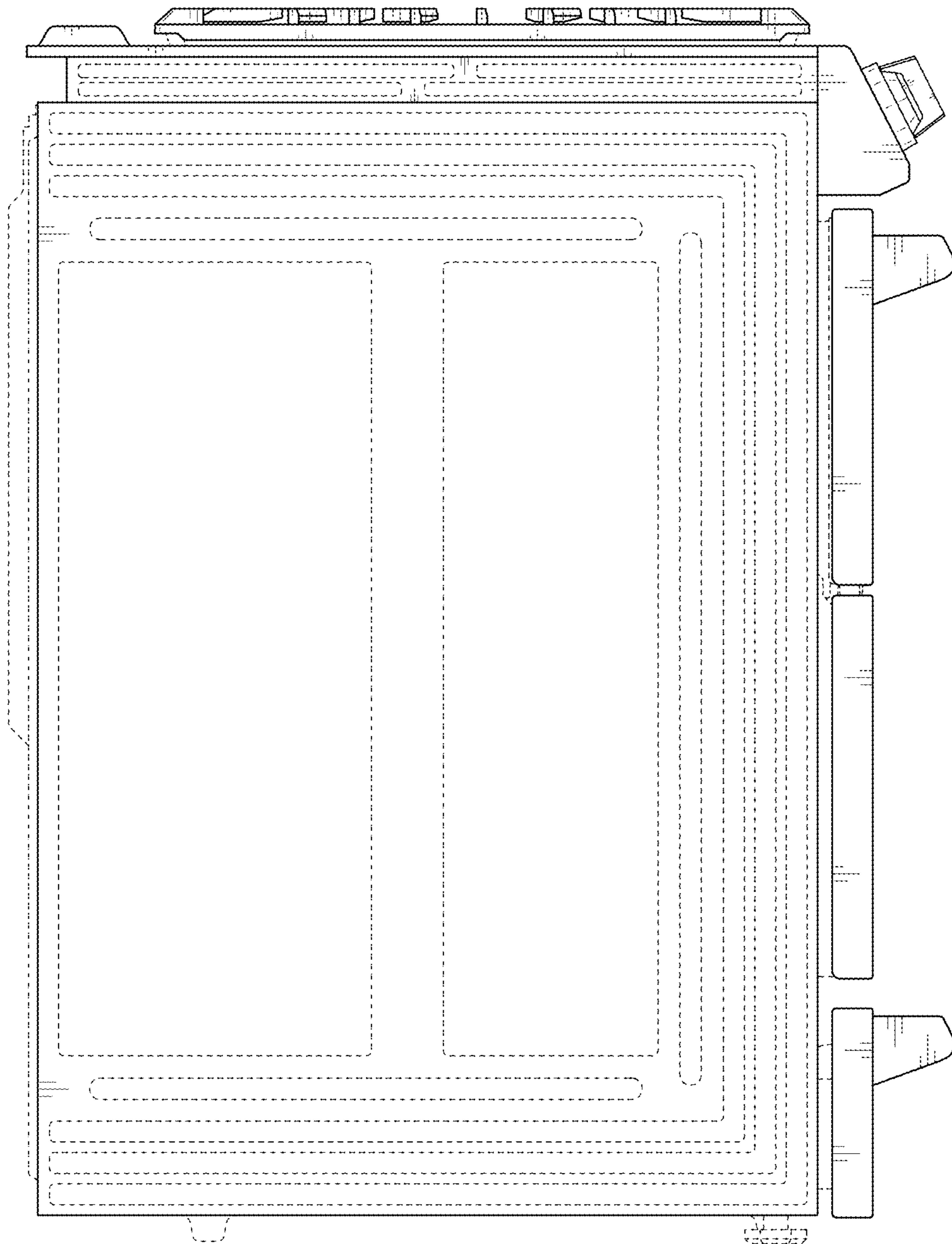


FIG. 5

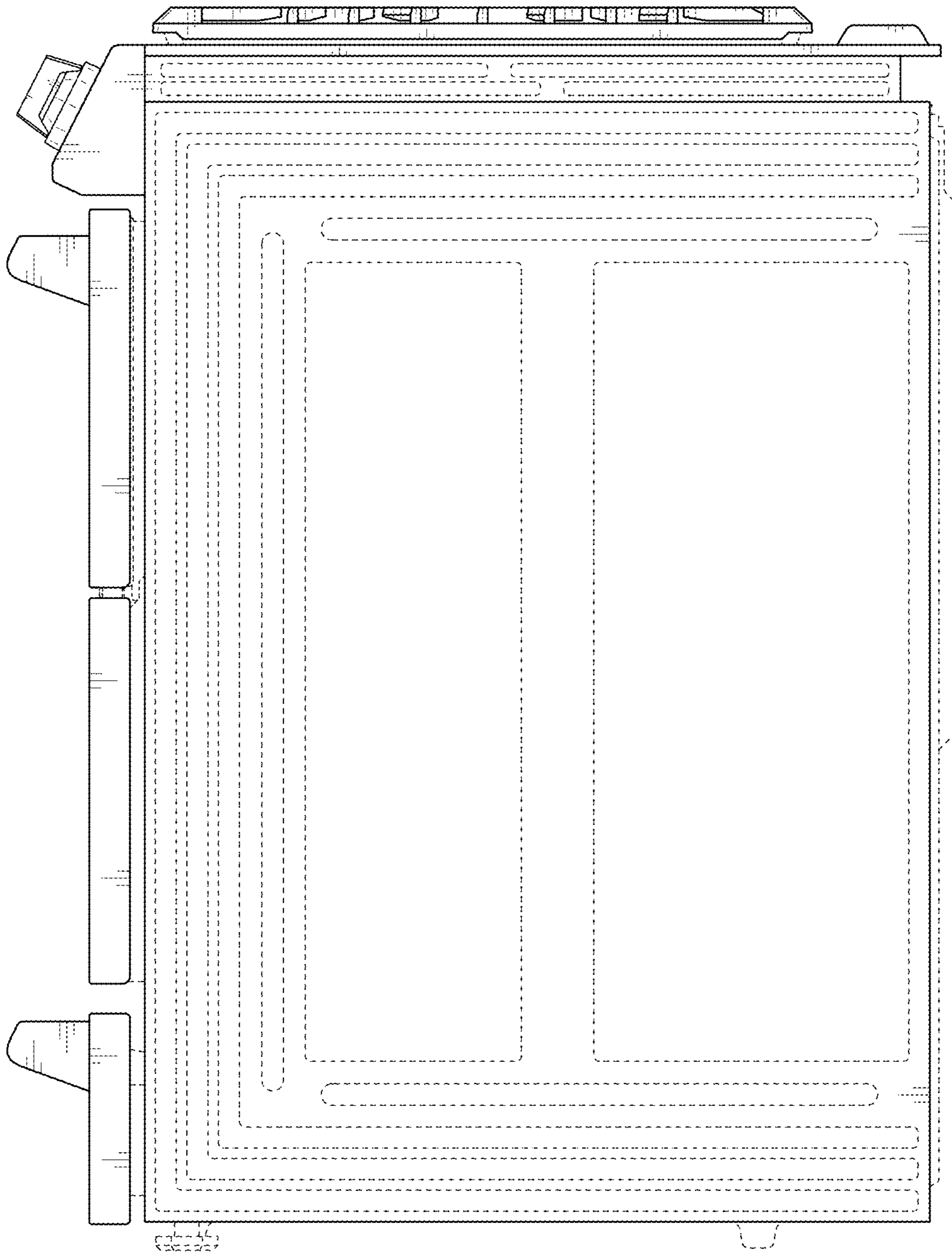


FIG. 6

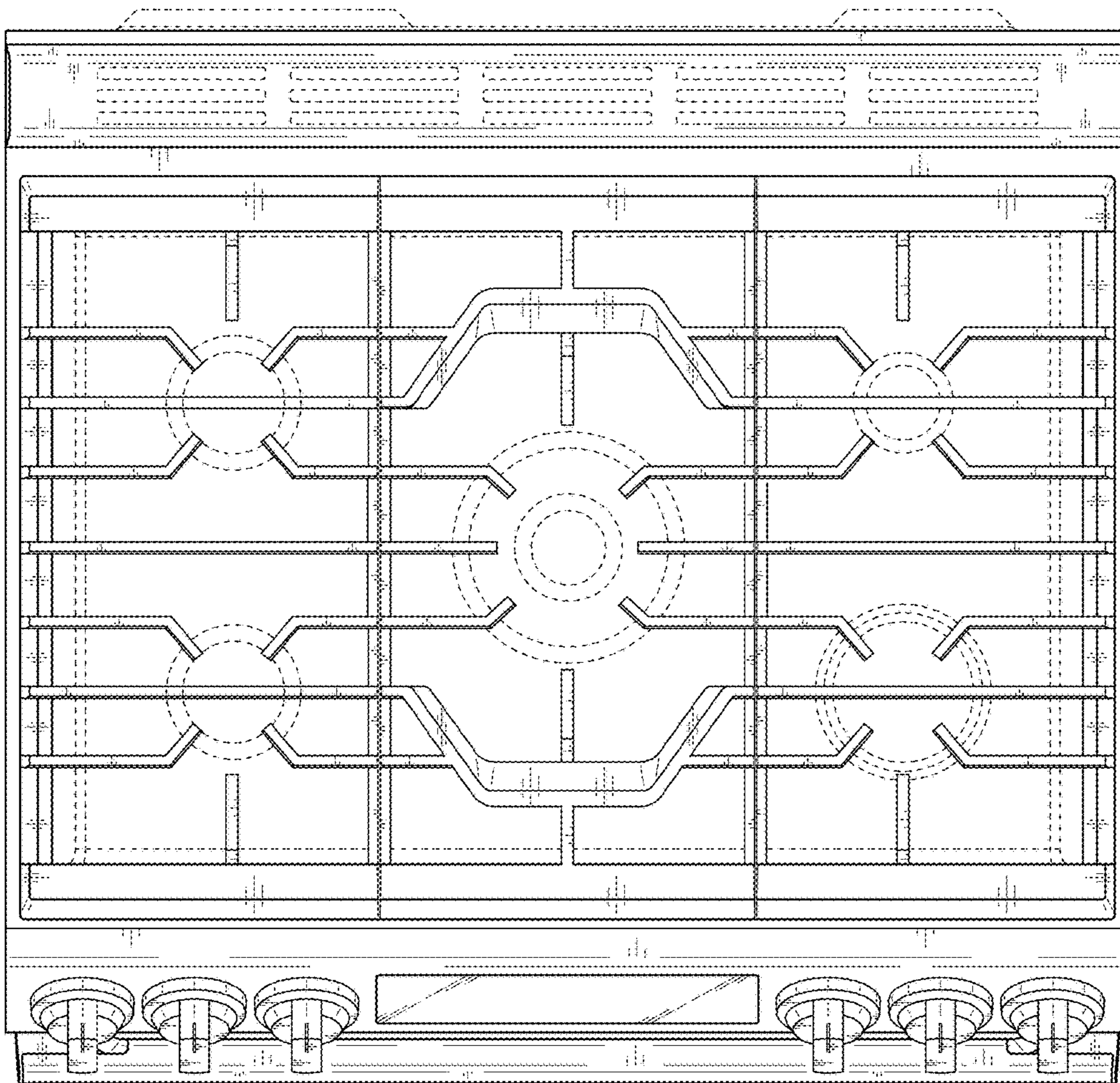




FIG. 7

