



US00D859052S

(12) **United States Design Patent**  
**Lee**

(10) **Patent No.:** **US D859,052 S**  
(45) **Date of Patent:** **\*\* Sep. 10, 2019**

- (54) **BARBECUE GRILL**
- (71) Applicant: **FOSHAN JUGUAN METAL MANUFACTURING CO., LTD.,**  
Foshan (CN)
- (72) Inventor: **Jiebo Lee, Foshan (CN)**
- (73) Assignee: **FOSHAN JUGUAN METAL MANUFACTURING CO., LTD.,**  
Foshan (CN)
- (\*\*) Term: **15 Years**
- (21) Appl. No.: **29/619,666**
- (22) Filed: **Sep. 29, 2017**
- (51) **LOC (12) Cl.** ..... **07-02**
- (52) **U.S. Cl.**  
USPC ..... **D7/337**
- (58) **Field of Classification Search**  
USPC ..... D7/332-337, 402-409, 362-365,  
D7/352-353  
CPC ..... A47J 37/07-0781; A47J 37/0786; A47J  
37/079; A47J 37/0611; A47J 37/067;  
F24B 1/202; F24B 1/205; F24B 1/207;  
F24C 1/16; F24C 3/14; A23B 4/044;  
A23B 4/048; A23B 4/052; A23B 4/0523;  
A23B 4/0526; A23B 4/056  
See application file for complete search history.

- 8,387,610 B1 \* 3/2013 Candelaria, Jr. .... A47J 37/0786  
126/25 R
  - D726,490 S \* 4/2015 Spencer ..... D7/332
  - D739,170 S \* 9/2015 Chung ..... D7/337
  - D772,637 S \* 11/2016 Barquin ..... D7/337
  - D802,352 S \* 11/2017 McCabe ..... D7/332
  - D820,023 S \* 6/2018 Zhou ..... D7/334
  - 2008/0163865 A1 \* 7/2008 Ho ..... A47J 37/0713  
126/9 B
  - 2011/0011387 A1 \* 1/2011 Sawaya ..... A47J 37/0731  
126/25 AA
  - 2018/0028018 A1 \* 2/2018 Barnett ..... A47J 37/0704
- \* cited by examiner

*Primary Examiner* — Brett Miller  
(74) *Attorney, Agent, or Firm* — Scheinberg & Associates, PC; Michael O Scheinberg

(57) **CLAIM**

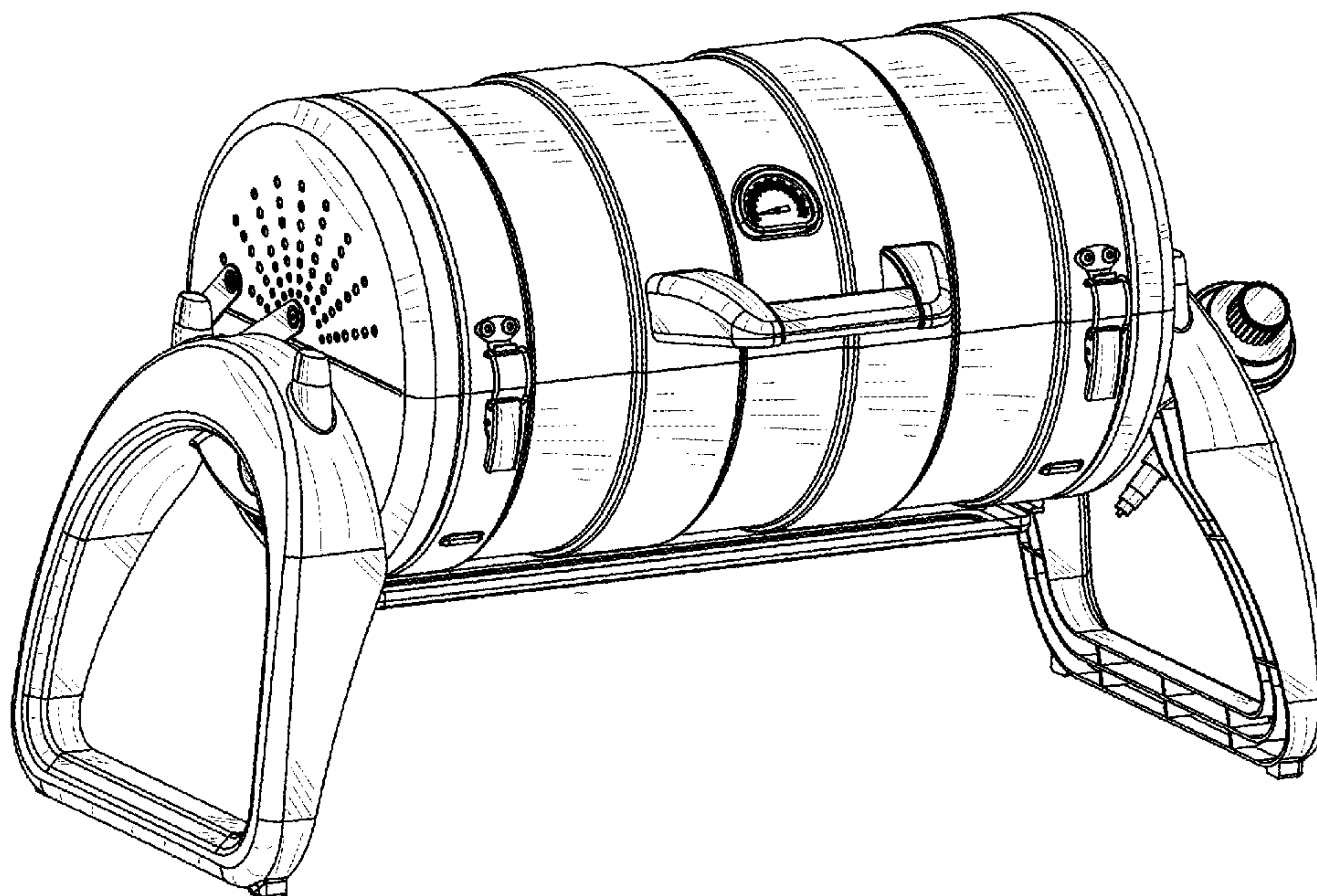
The ornamental design for a barbecue grill, as shown.

**DESCRIPTION**

FIG. 1 is a perspective view of barbecue grill showing my new design;  
FIG. 2 is a front view thereof;  
FIG. 3 is a rear view thereof;  
FIG. 4 is a left view thereof;  
FIG. 5 is a right view thereof;  
FIG. 6 is a top view thereof; and,  
FIG. 7 is a bottom view thereof.  
The broken lines depict portions of the barbecue grill that form no part of the claimed design.

**1 Claim, 7 Drawing Sheets**

- (56) **References Cited**  
U.S. PATENT DOCUMENTS  
D370,380 S \* 6/1996 McGourthy, Jr. .... D7/332  
5,947,013 A \* 9/1999 Stewart, Jr. .... A47J 37/0704  
126/25 R



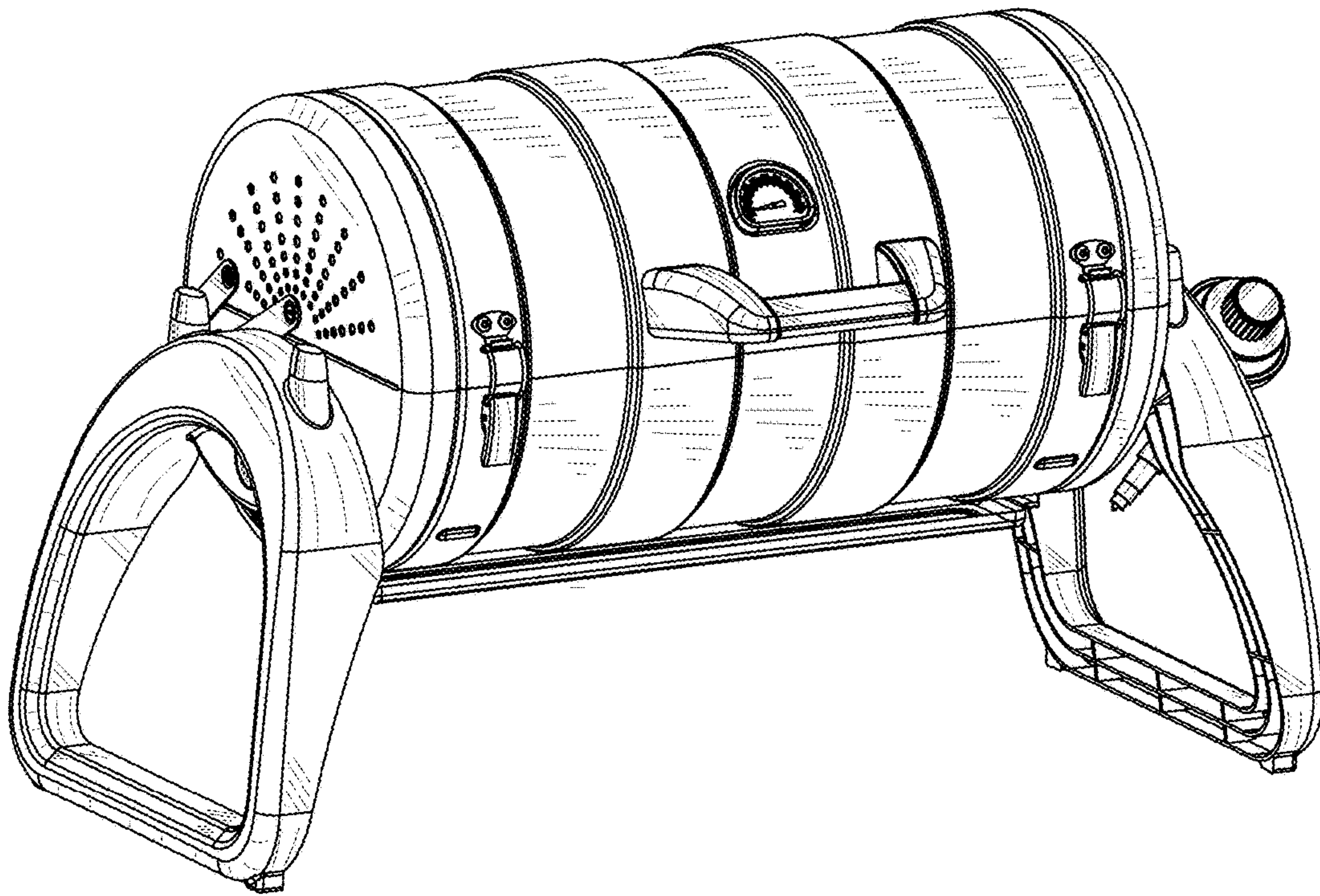


FIG.1

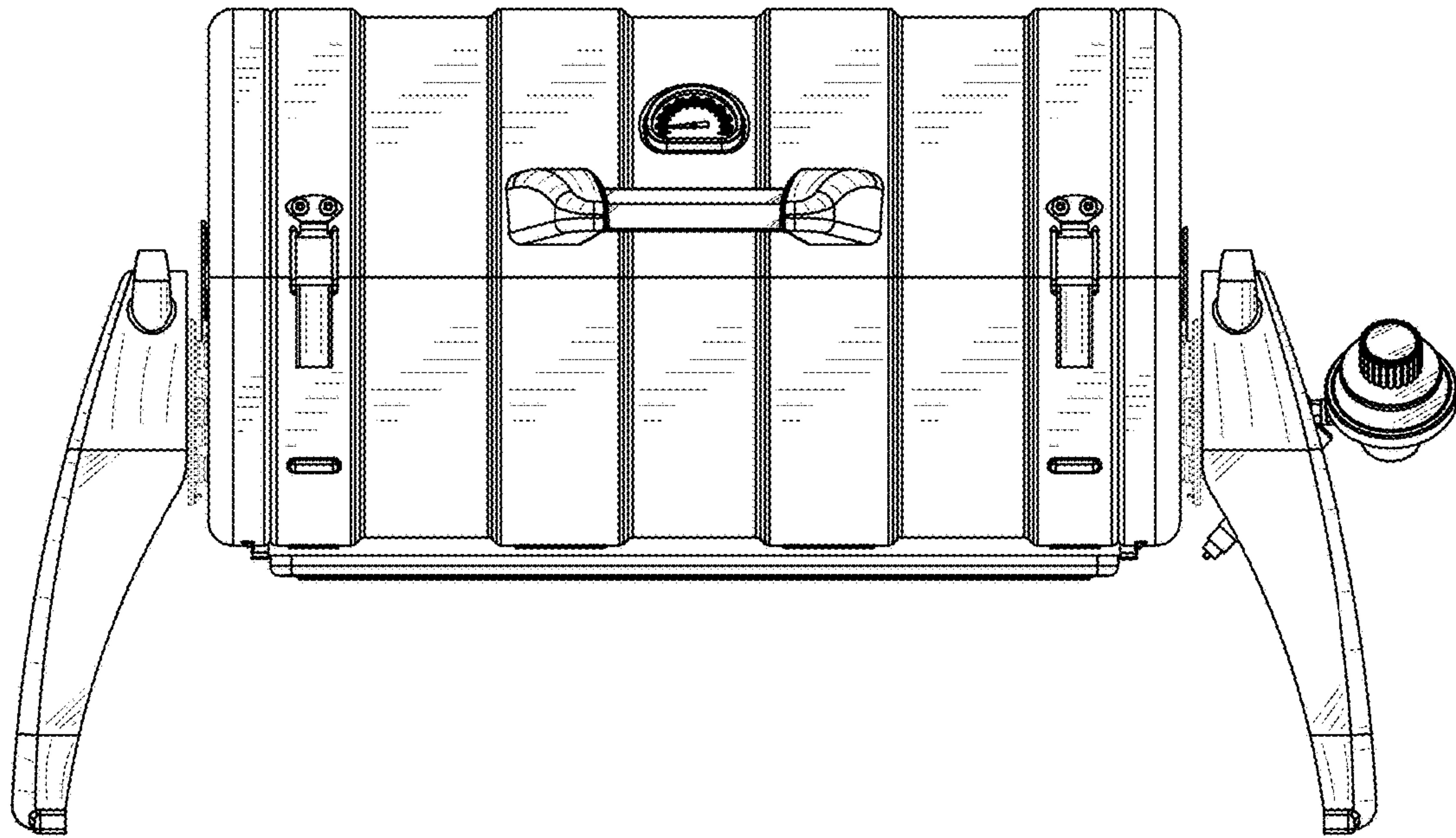


FIG.2



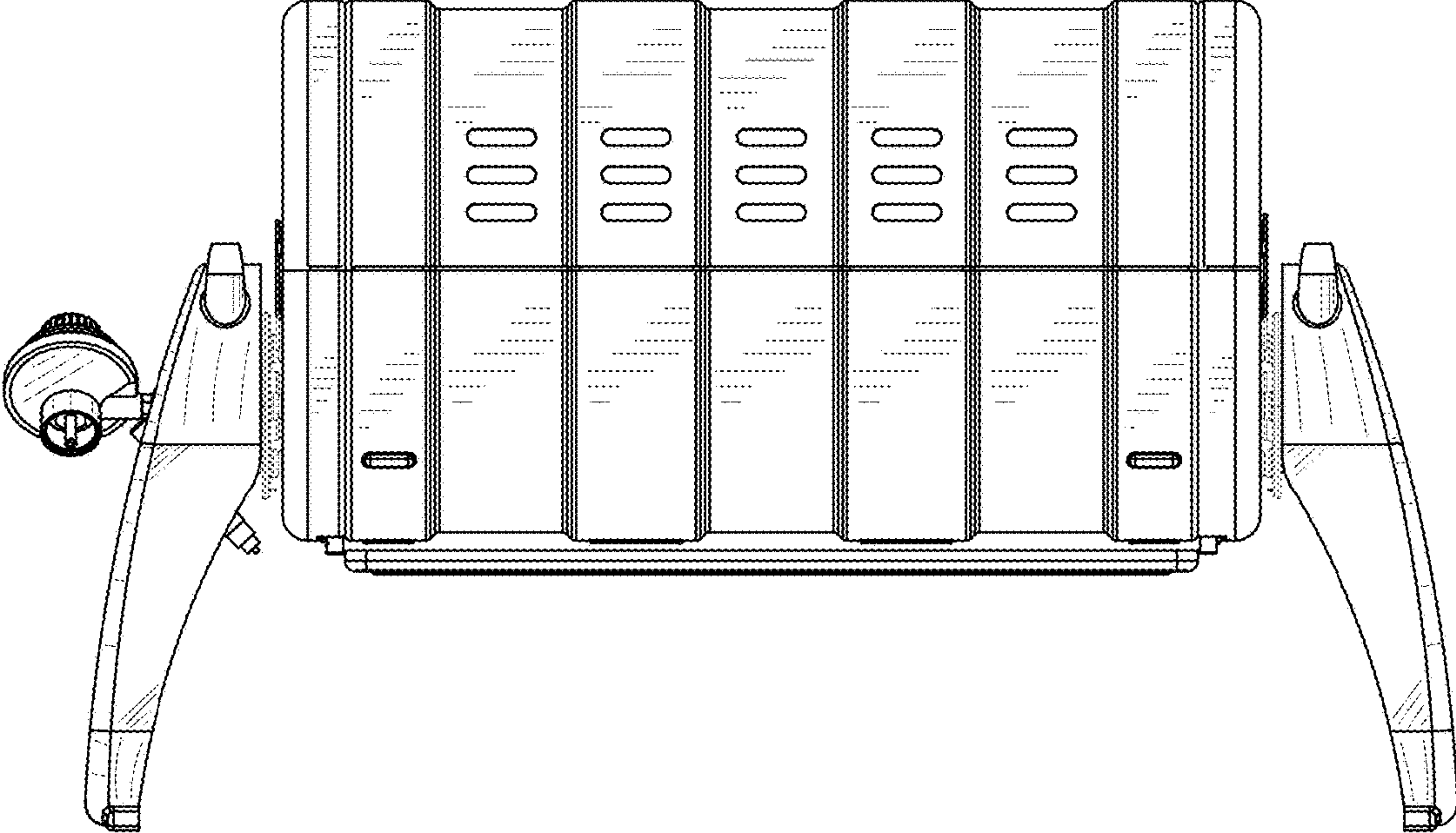


FIG.3

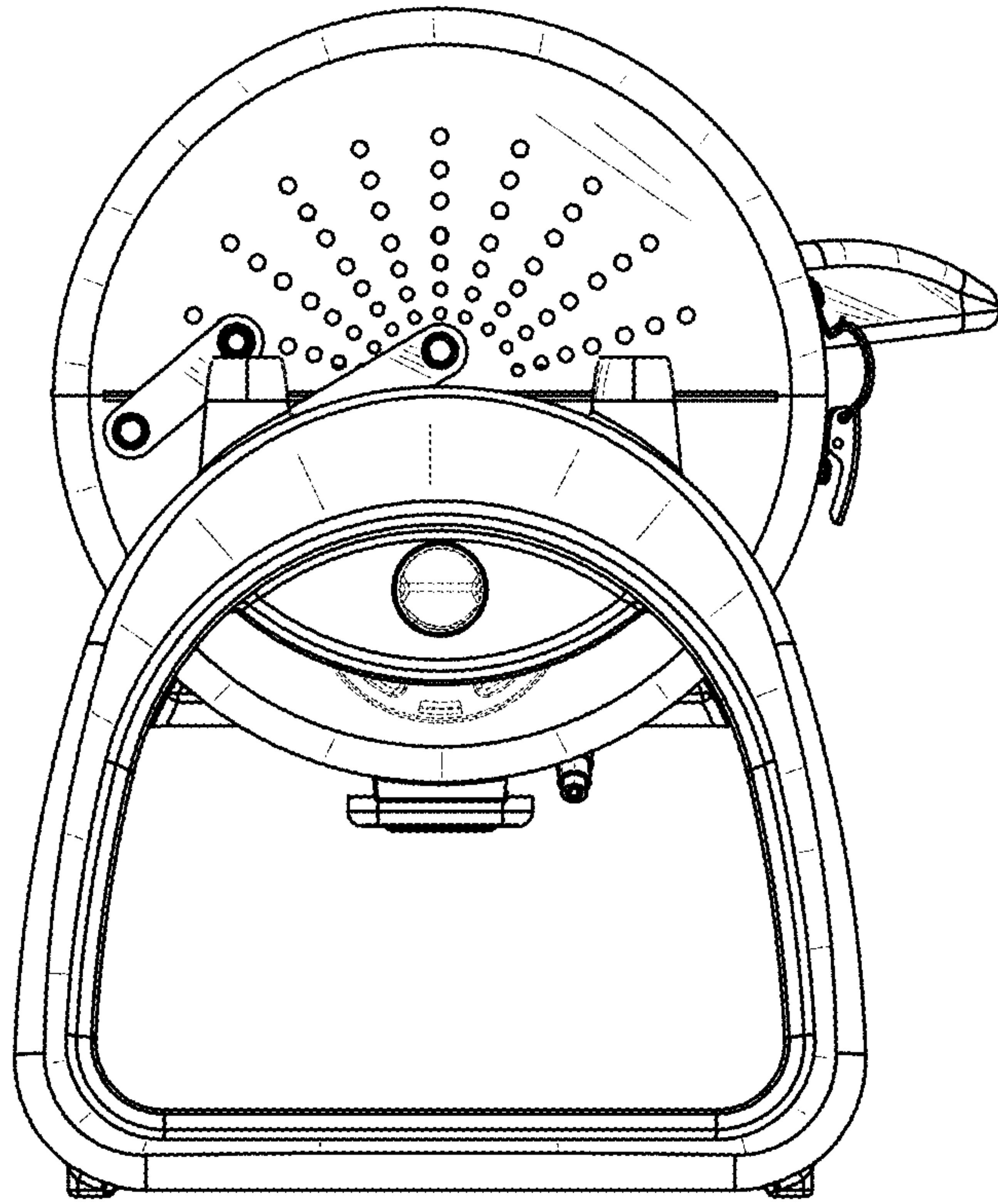


FIG.4

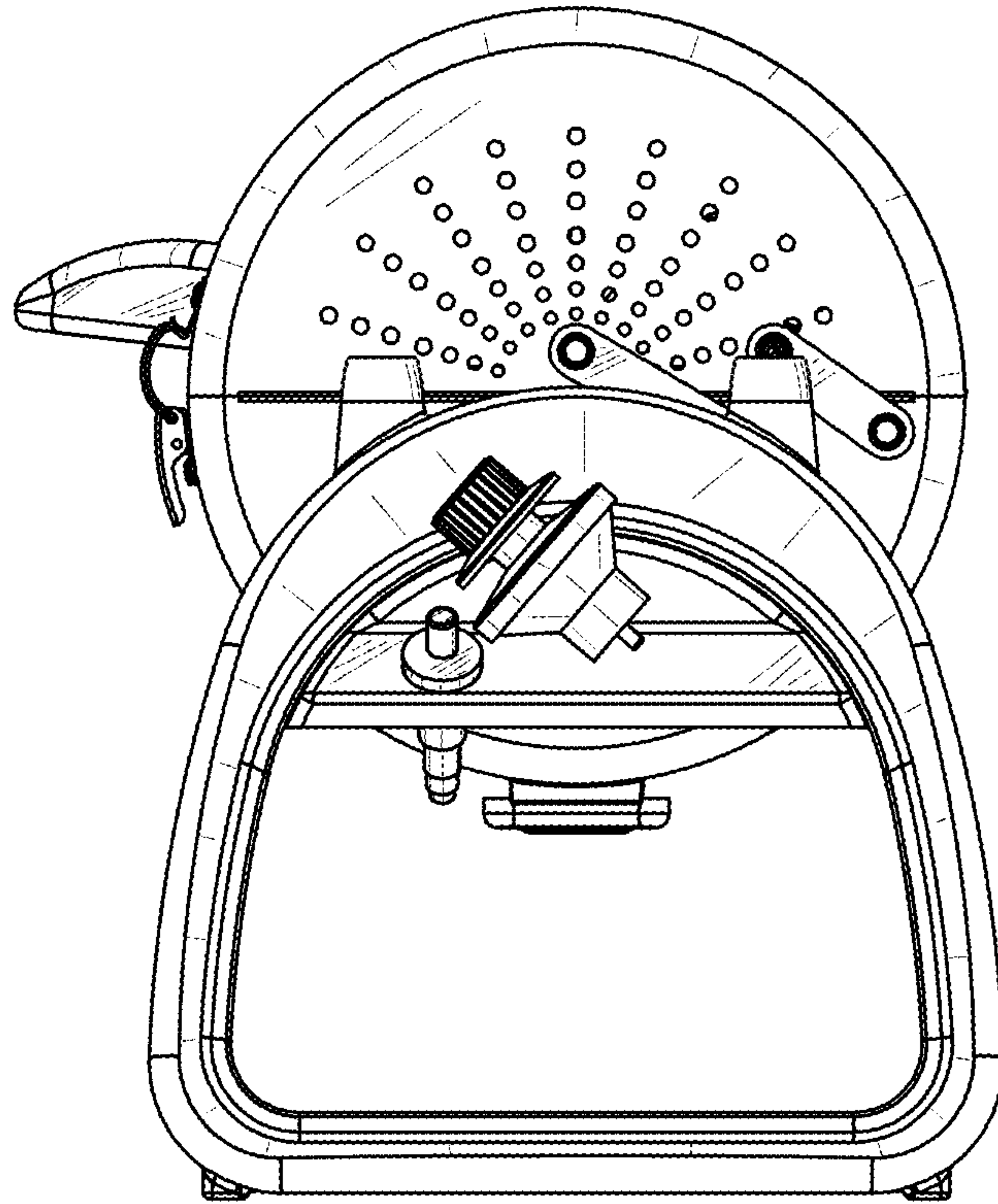


FIG.5

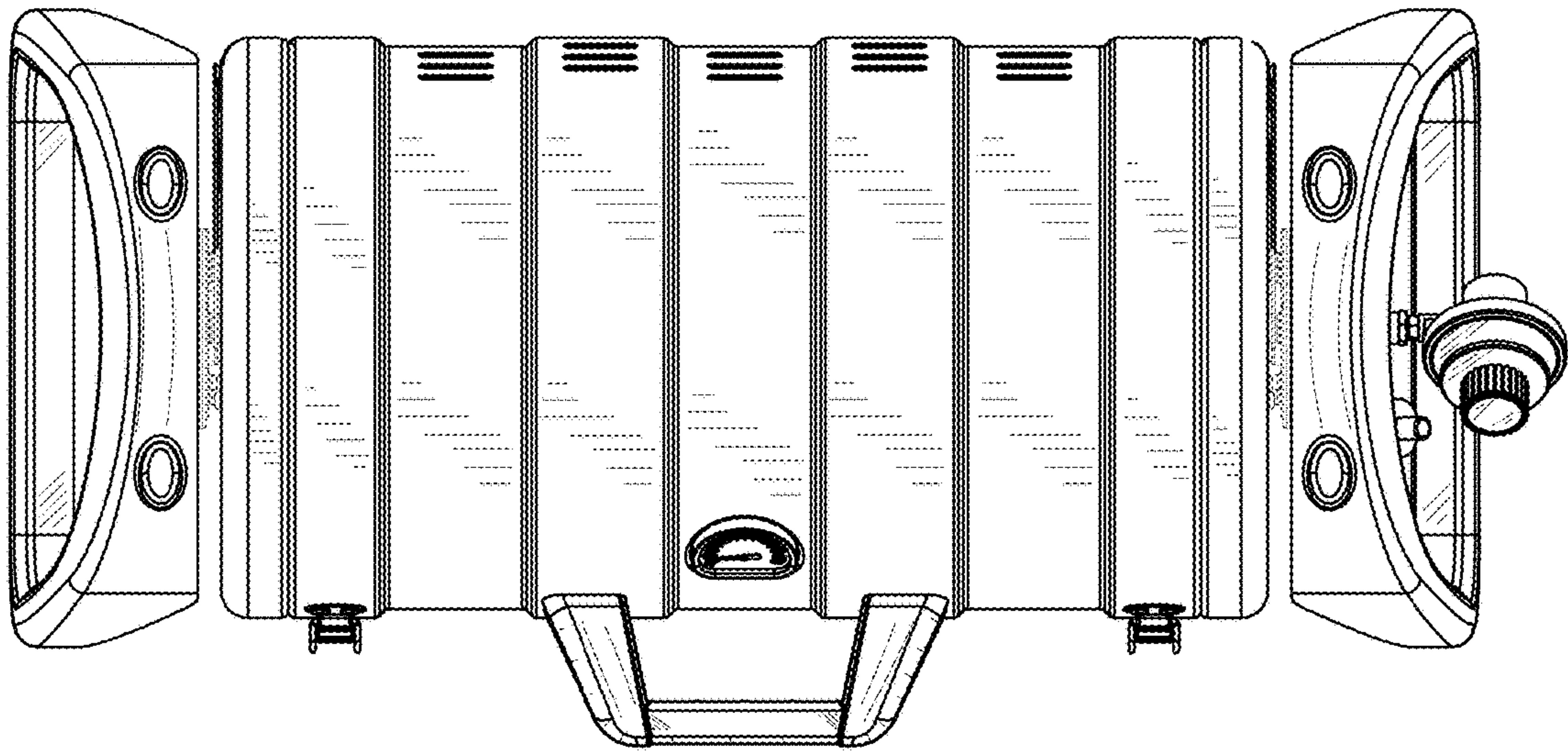


FIG.6

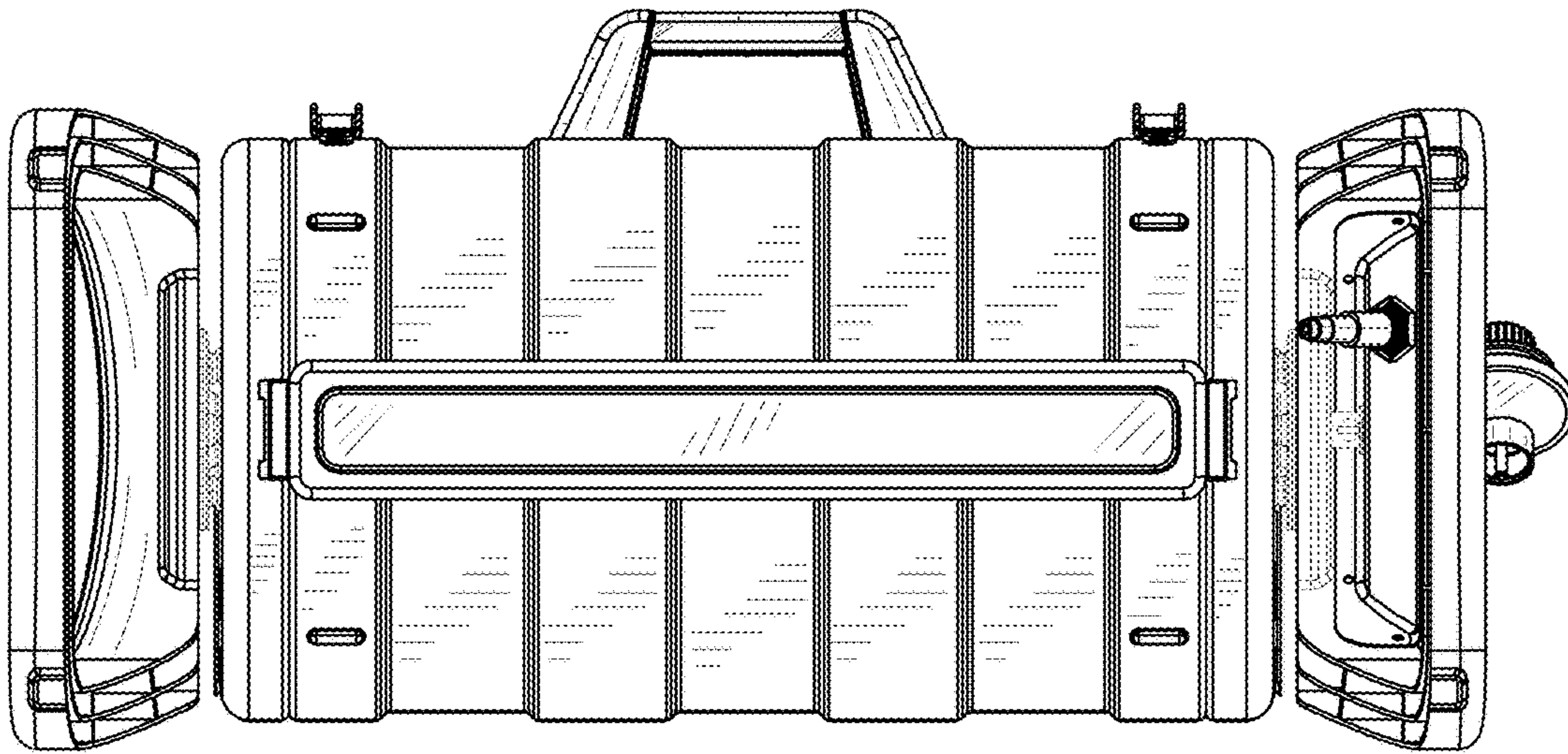


FIG.7