



US00D859051S

(12) **United States Design Patent** (10) **Patent No.:** **US D859,051 S**
Blachere et al. (45) **Date of Patent:** **** Sep. 10, 2019**

(54) **MACHINE FOR PREPARATION OF VARIOUS CREPES**

(71) Applicant: **HOLDING BERNARD BLACHERE**, Chateaurenard (FR)

(72) Inventors: **Bernard Blachere**, Saint Remy de Provence (FR); **Pierre Vidal**, Noves (FR)

(73) Assignee: **HOLDING BERNARD BLACHERE**, Chateaurenard (FR)

(**) Term: **15 Years**

(21) Appl. No.: **29/644,938**

(22) Filed: **Apr. 21, 2018**

(30) **Foreign Application Priority Data**

Apr. 13, 2018 (EM) 005233426-0001

(51) **LOC (12) Cl.** **07-02**

(52) **U.S. Cl.**
USPC **D7/323; D7/352**

(58) **Field of Classification Search**
USPC D7/323, 337, 339, 341, 352, 354–356, D7/362–367, 409–411; D9/424, 431, 781
CPC A21B 1/06; A21B 1/50; A21B 1/52; A21B 5/02; A21B 5/03; A21C 9/063; A47J 36/04; A47J 37/04; A47J 37/06; A47J 37/015; A47J 37/067; A47J 37/0611; A47J 37/0623; A47J 37/0629; A47J 37/0676; A47J 37/08; A47J 37/105; F24C 7/06; F24C 7/083; F24C 15/02; F24C 15/166; H05B 3/20; H05B 3/40
See application file for complete search history.

(56) **References Cited**

U.S. PATENT DOCUMENTS

1,869,541 A * 8/1932 Russell A21B 5/02 99/424
3,215,062 A * 11/1965 Frankenberg A21B 5/03 99/353

3,349,726 A * 10/1967 Fono A21B 5/03 426/496
3,683,150 A * 8/1972 Kehl A47J 37/0676 219/200
3,718,487 A * 2/1973 Brunner A21B 5/03 99/353
4,083,296 A * 4/1978 Mede A21B 5/03 99/423
D248,362 S 7/1978 Bluestein
(Continued)

Primary Examiner — Ricky Pham
(74) *Attorney, Agent, or Firm* — Craft Chu PLLC; Andrew W. Chu

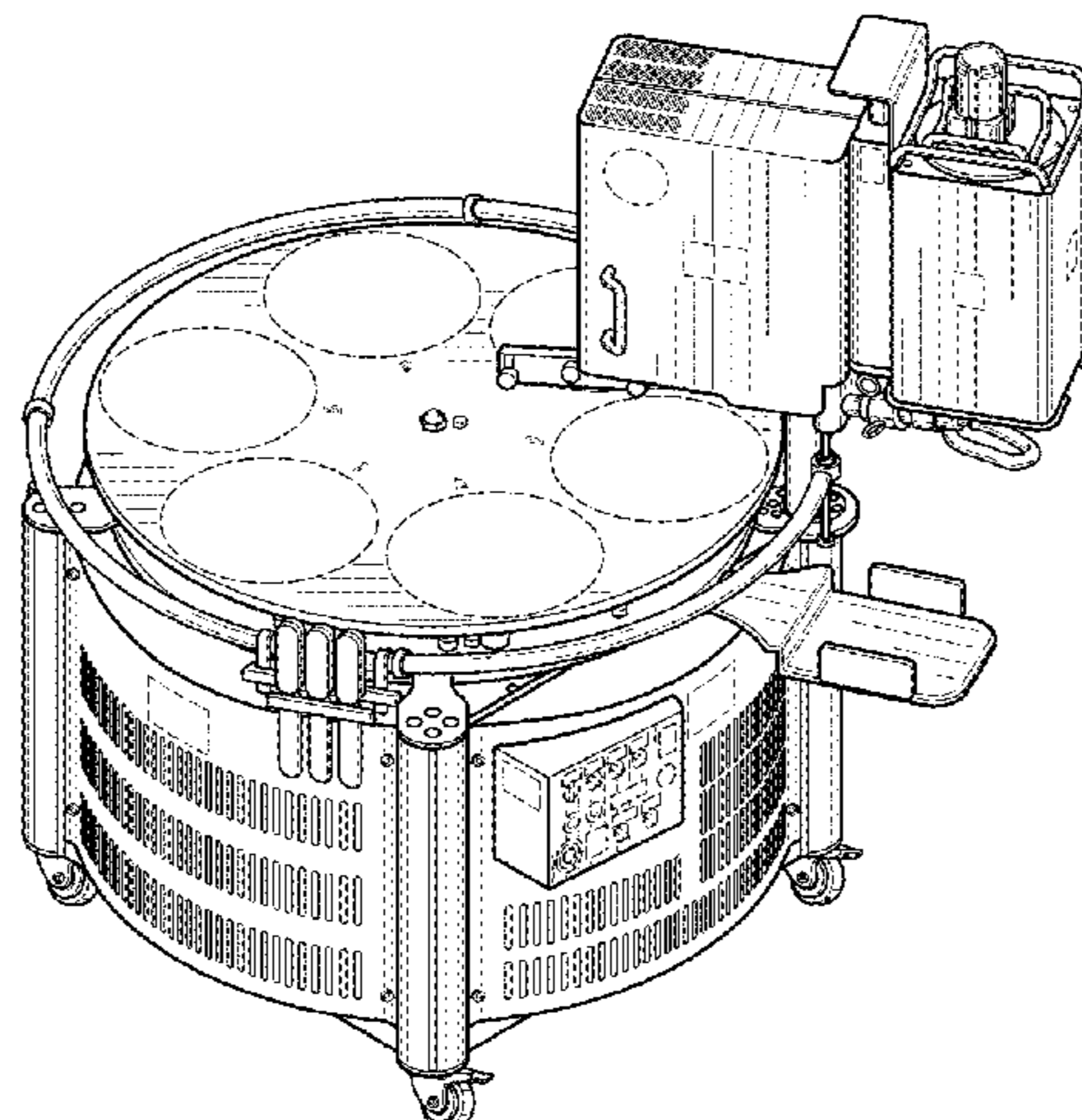
(57) **CLAIM**

The ornamental design for a machine for preparation of various crepes, as shown and described.

DESCRIPTION

FIG. 1 is an upper perspective view of the machine for preparation of various crepes showing our design with broken line portions;
FIG. 2 is a side elevation view thereof with broken line portions;
FIG. 3 is an opposite side elevation view thereof with broken line portions;
FIG. 4 is a front elevation view thereof with broken line portions;
FIG. 5 is a back elevation view thereof with broken line portions;
FIG. 6 is a top plan view thereof with broken line portions, showing a different configuration for four crepes instead of six crepes in broken lines; and,
FIG. 7 is a bottom plan view thereof with broken line portions.
The broken lines in FIGS. 1-7 are environment and form no part of the claimed design.

1 Claim, 2 Drawing Sheets



(56)

References Cited

U.S. PATENT DOCUMENTS

4,280,402 A 7/1981 Featherstone
4,321,858 A 3/1982 Williams
4,388,059 A * 6/1983 Ma A21C 9/063
425/112
4,664,025 A * 5/1987 Martinez A47J 37/0611
100/292
4,733,608 A 3/1988 Merdy
5,481,963 A * 1/1996 Sesona A21B 5/03
99/335
7,094,991 B2 * 8/2006 Naranjo A47J 37/08
219/385
7,285,751 B2 * 10/2007 Li A47J 37/0623
219/386
9,687,110 B2 * 6/2017 Lee A47J 37/105
D805,834 S * 12/2017 Vela de Pleitez ... A47J 37/0623
D7/352

* cited by examiner

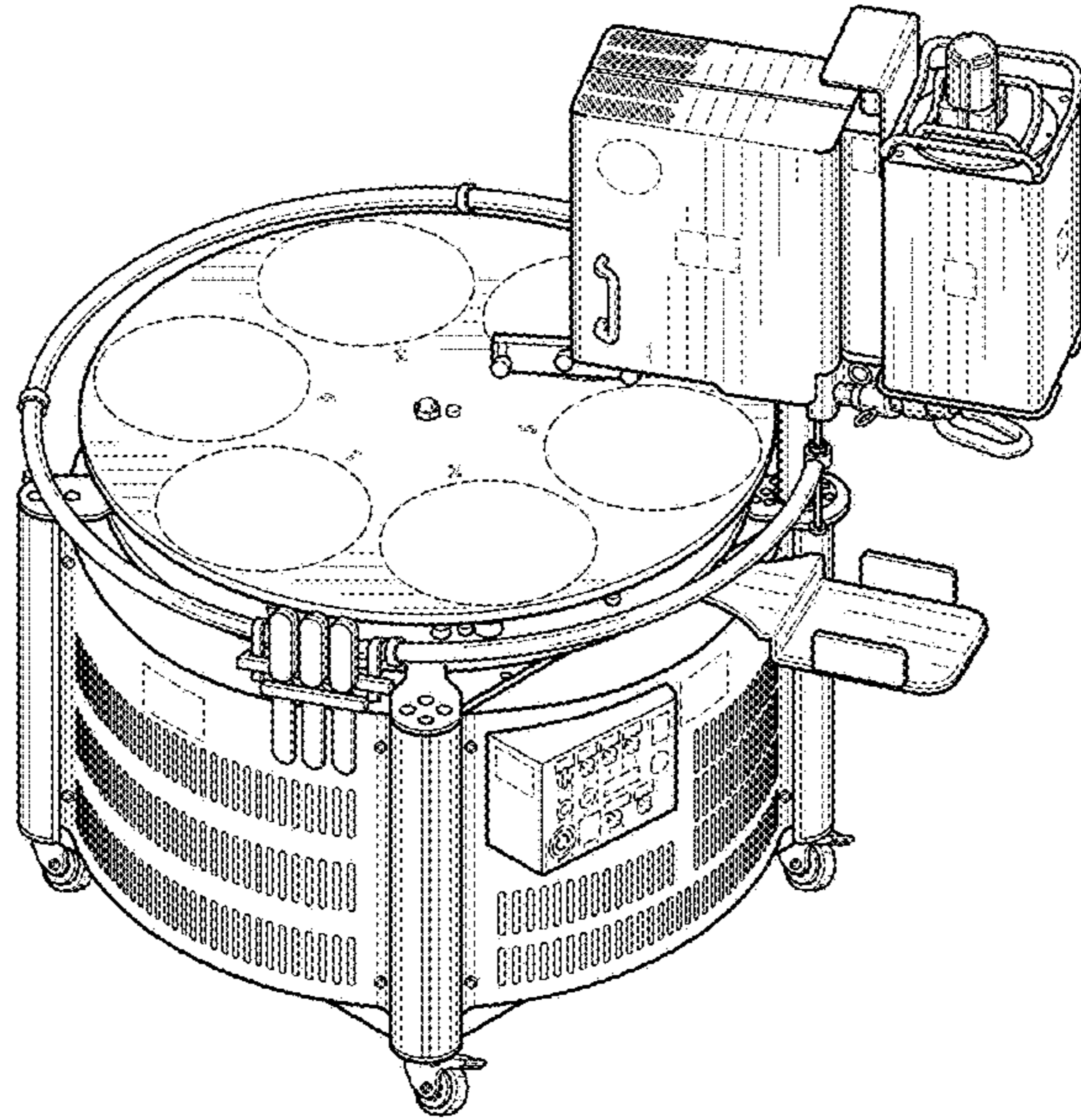


FIG. 1

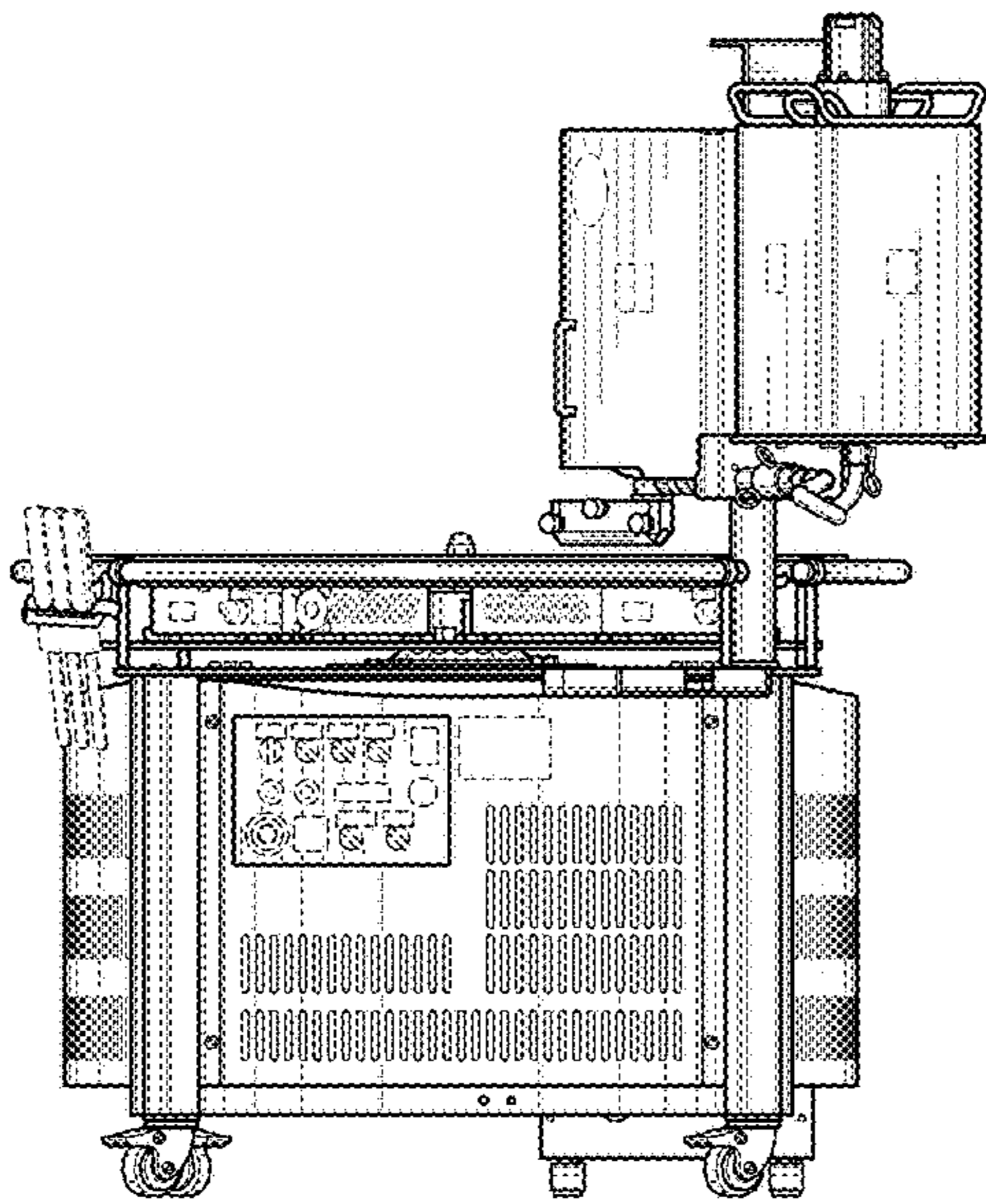


FIG. 2

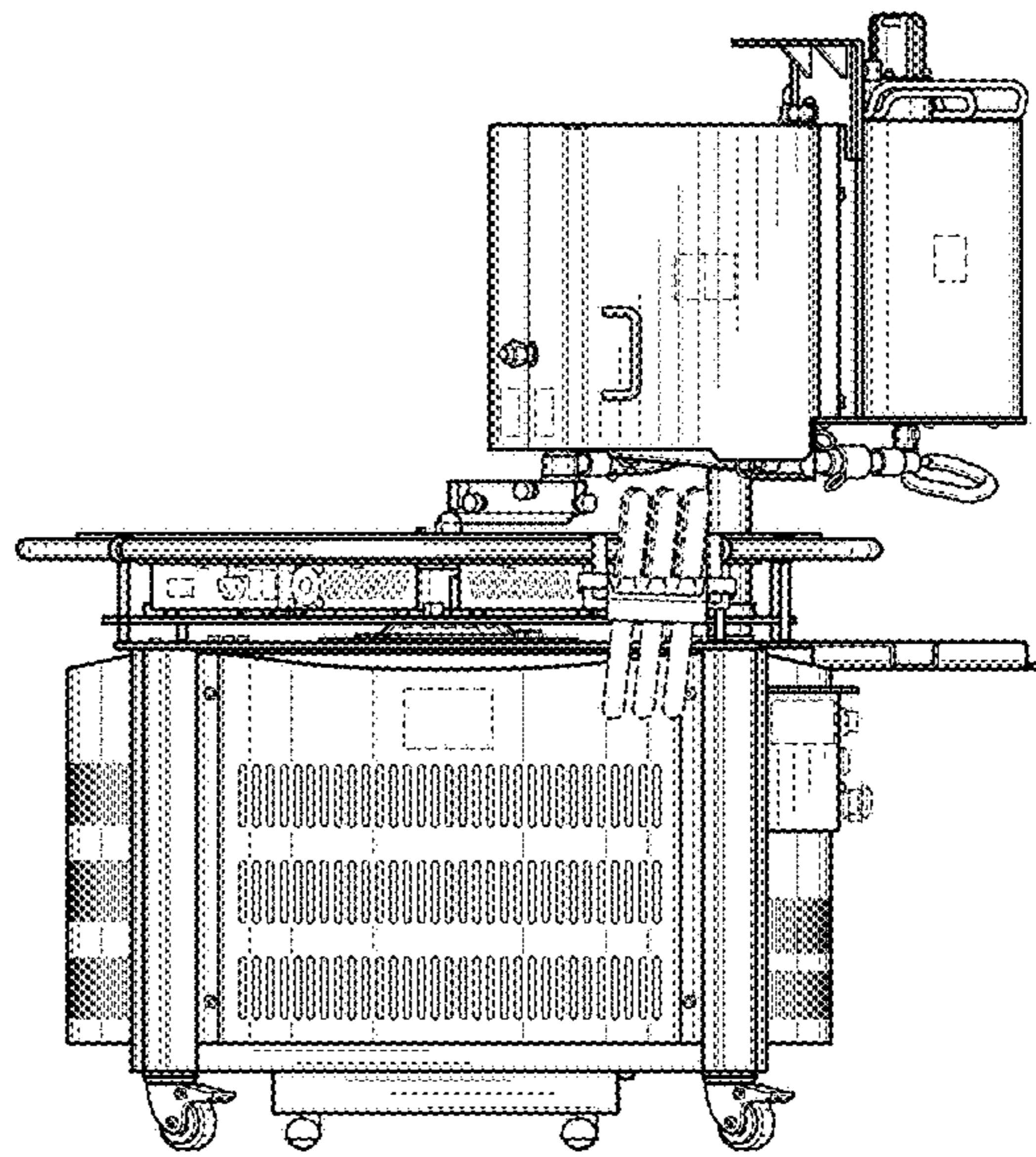


FIG. 3

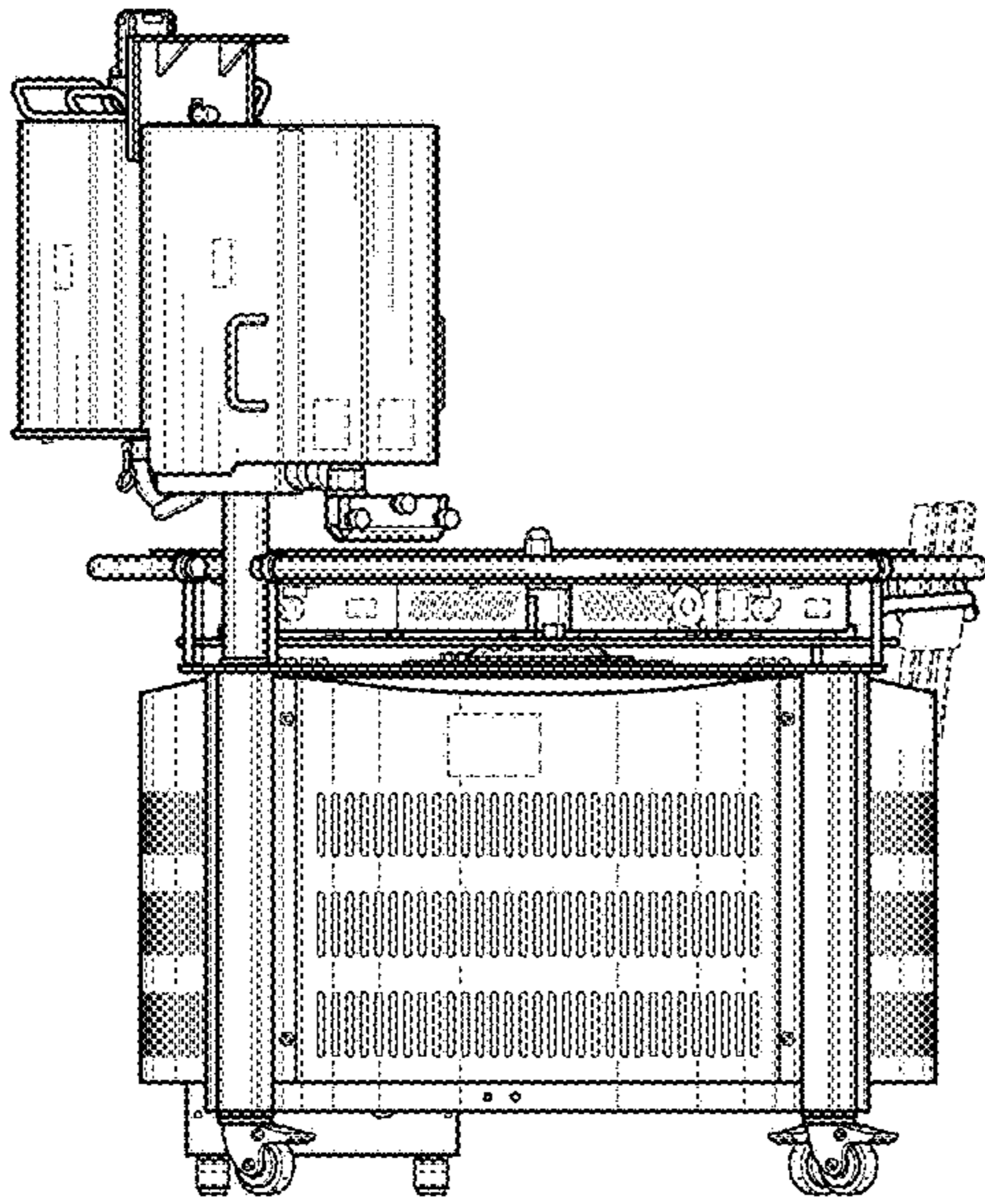


FIG. 4

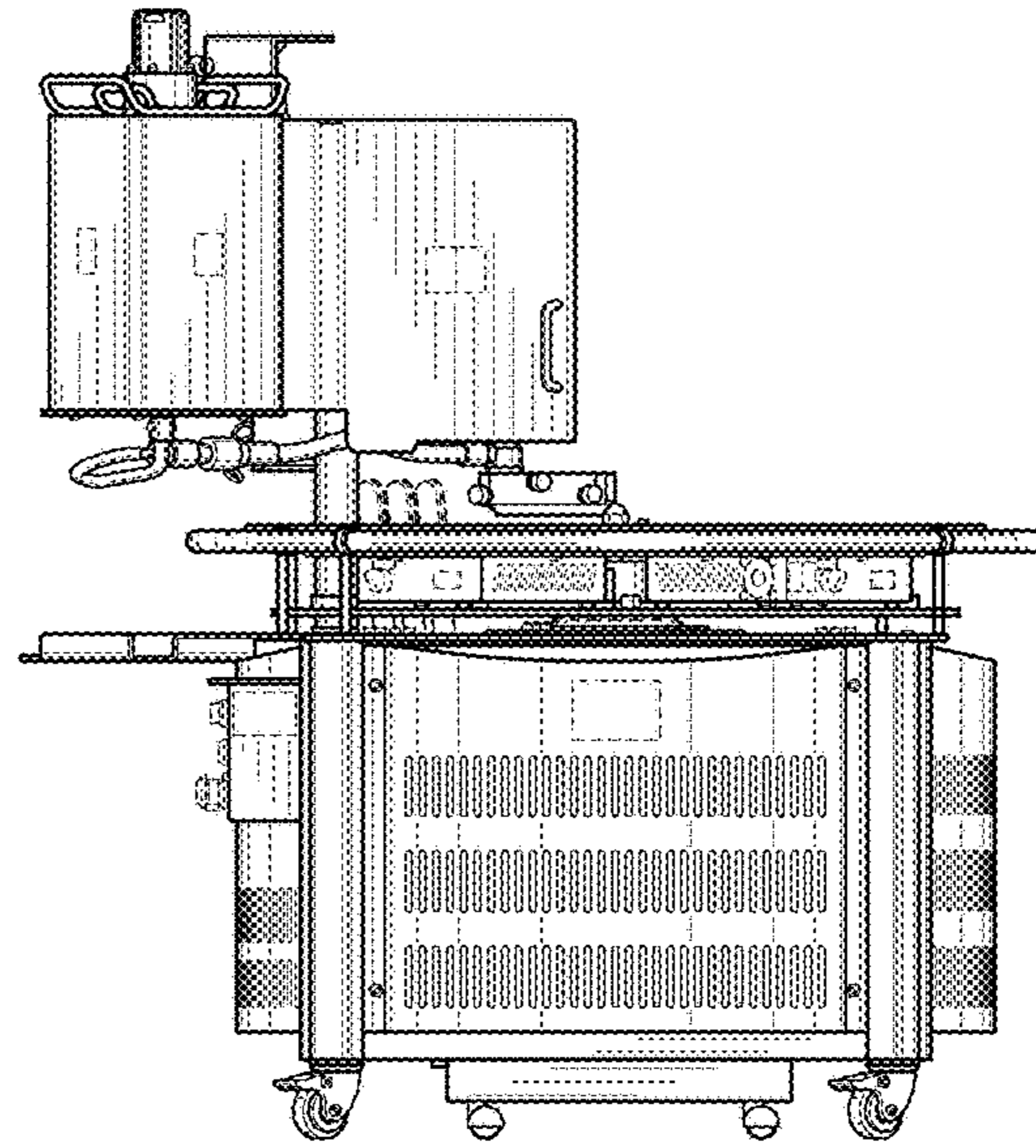


FIG. 5

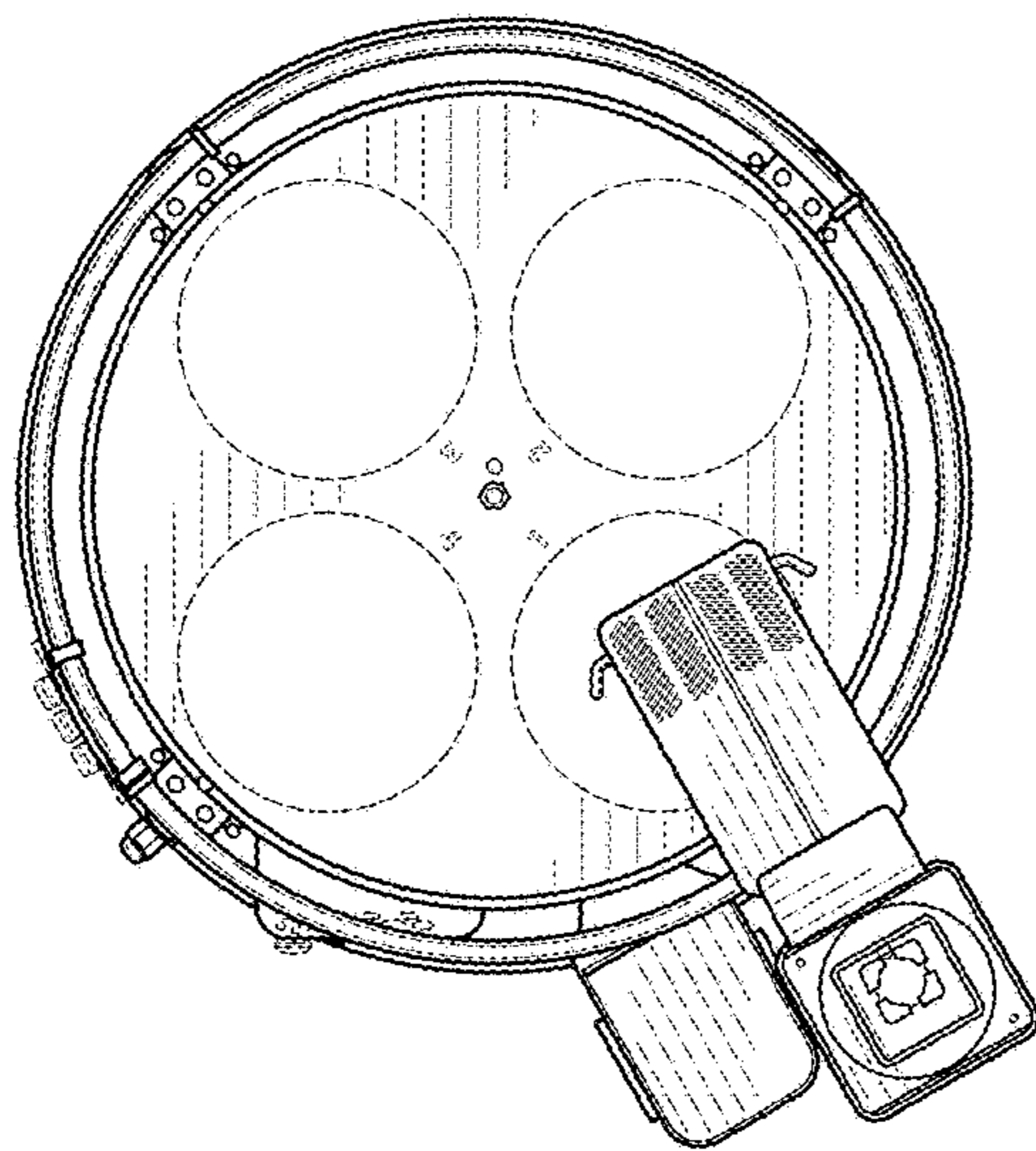


FIG. 6

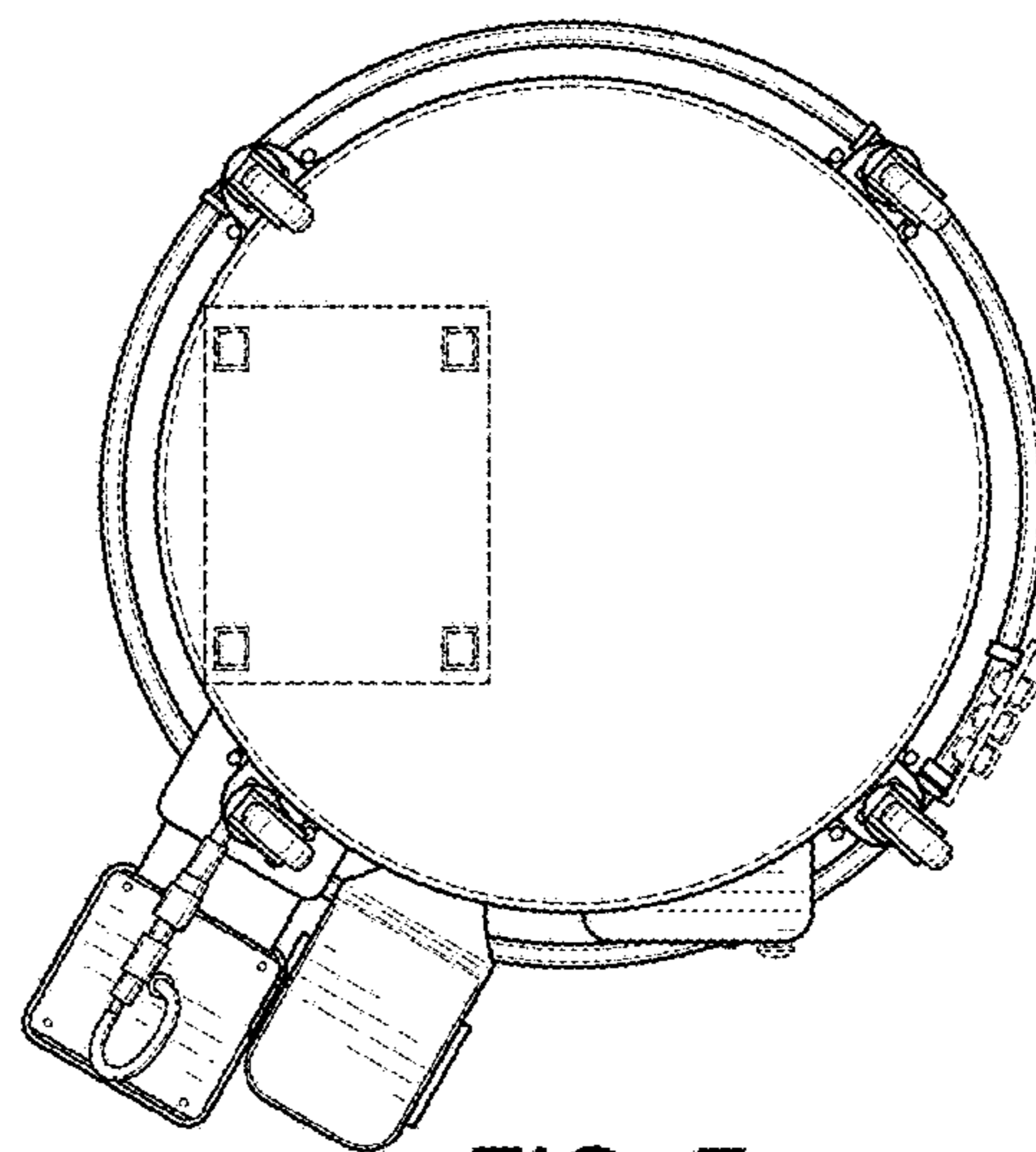


FIG. 7