



US00D859050S

(12) **United States Design Patent** (10) **Patent No.:** **US D859,050 S**
Diefenbach et al. (45) **Date of Patent:** **** Sep. 10, 2019**

(54) **WATER DISPENSER WITHOUT TANK**

D726,482 S * 4/2015 Cahen D7/309
D795,631 S * 8/2017 Armstrong D7/326
D819,383 S * 6/2018 Hecht D7/306
D826,233 S * 8/2018 Zhou D14/421

(71) Applicants: **Andreas Diefenbach**, Ludwigsburg
(DE); **Stefan Andreesen**, Esslingen
(DE); **Moritz Kemper**, Stuttgart (DE)

* cited by examiner

(72) Inventors: **Andreas Diefenbach**, Ludwigsburg
(DE); **Stefan Andreesen**, Esslingen
(DE); **Moritz Kemper**, Stuttgart (DE)

Primary Examiner — Derrick E Holland

Assistant Examiner — Andrew Kerr

(73) Assignee: **RIPRUP Company S.A.**, St. Peter Port
(GG)

(74) *Attorney, Agent, or Firm* — Bryan W. Bockhop;
Bockhop Intellectual Property Law, LLC

(**) Term: **15 Years**

(57) **CLAIM**

(21) Appl. No.: **29/630,218**

The ornamental design for a water dispenser without tank, as shown and described.

(22) Filed: **Dec. 20, 2017**

(51) **LOC (12) Cl.** **07-01**

(52) **U.S. Cl.**
USPC **D7/313**

(58) **Field of Classification Search**
USPC D7/300, 304–311, 312, 313, 314, 213;
D14/356, 371, 420, 421
CPC A47J 31/00; B67D 1/00; B67D 1/0003;
B67D 1/0004; B67D 1/0005; F25D
23/126; Y10T 137/00; Y10T 137/0318;
Y10T 137/0379

See application file for complete search history.

DESCRIPTION

FIG. 1 is an overhead isometric view of the front, left side and top of a water dispenser without tank showing my design.

FIG. 2 is a front elevational view thereof.

FIG. 3 is a top plan view thereof.

FIG. 4 is a back side elevational view thereof.

FIG. 5 is a bottom plan view thereof.

FIG. 6 is a left side elevational view thereof; and,

FIG. 7 is a right side elevational view thereof.

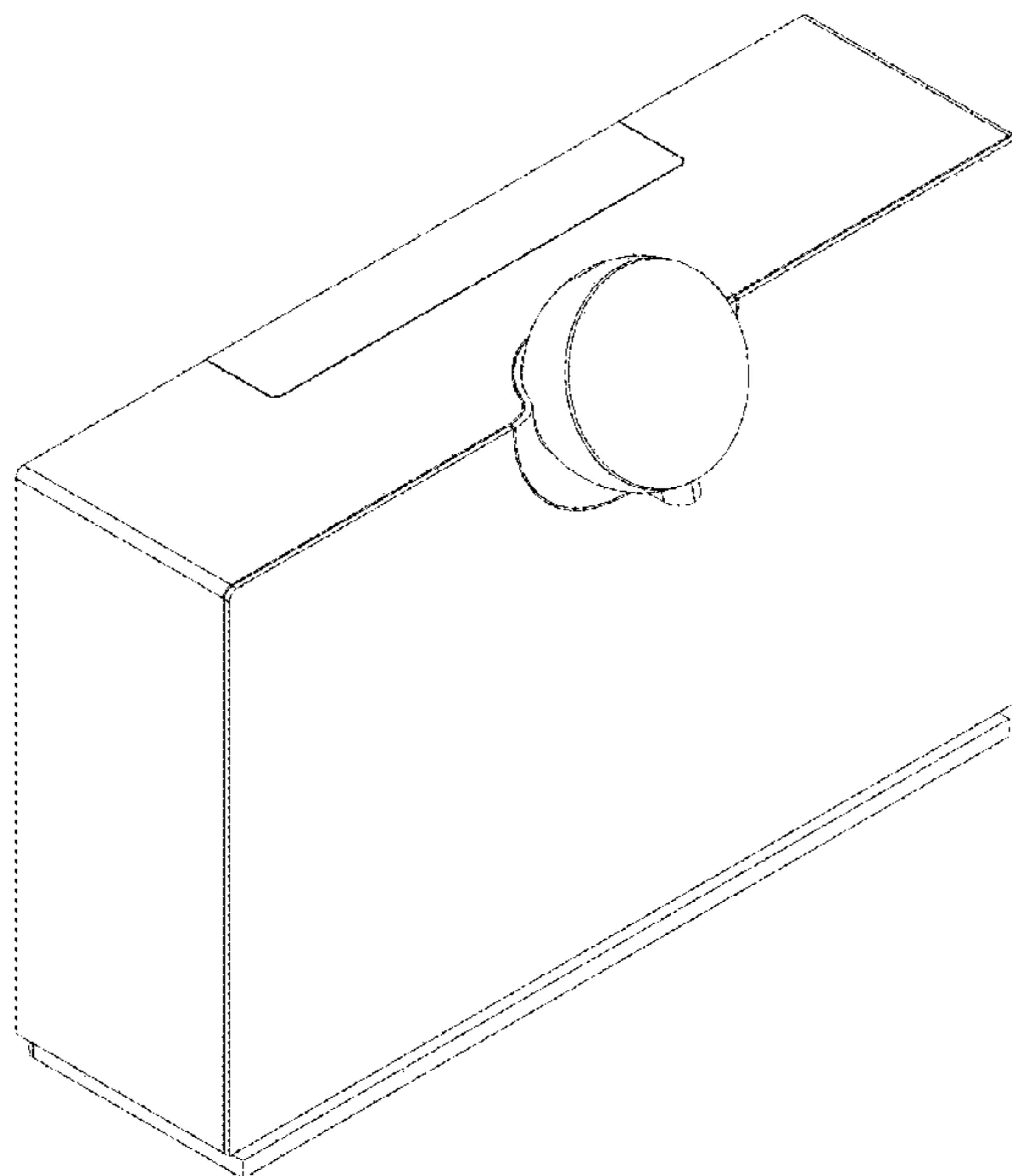
The broken lines showing portions of the water dispenser without tank are for the purpose of illustrating environmental structure and form no part of the claimed design.

(56) **References Cited**

U.S. PATENT DOCUMENTS

5,233,914 A * 8/1993 English A47J 31/005
99/282
D596,441 S * 7/2009 Cahen D7/309

1 Claim, 4 Drawing Sheets



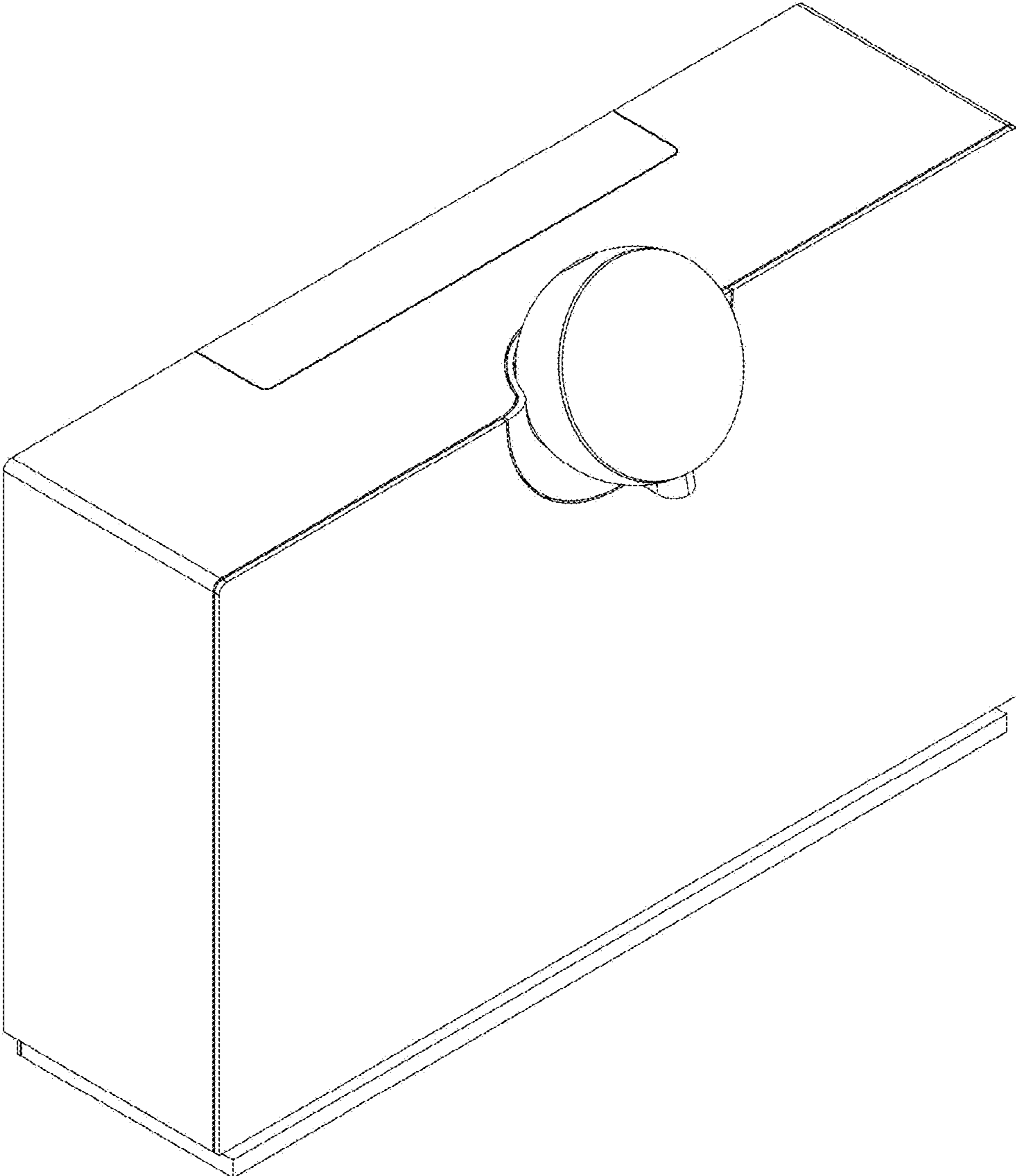


FIG. 1

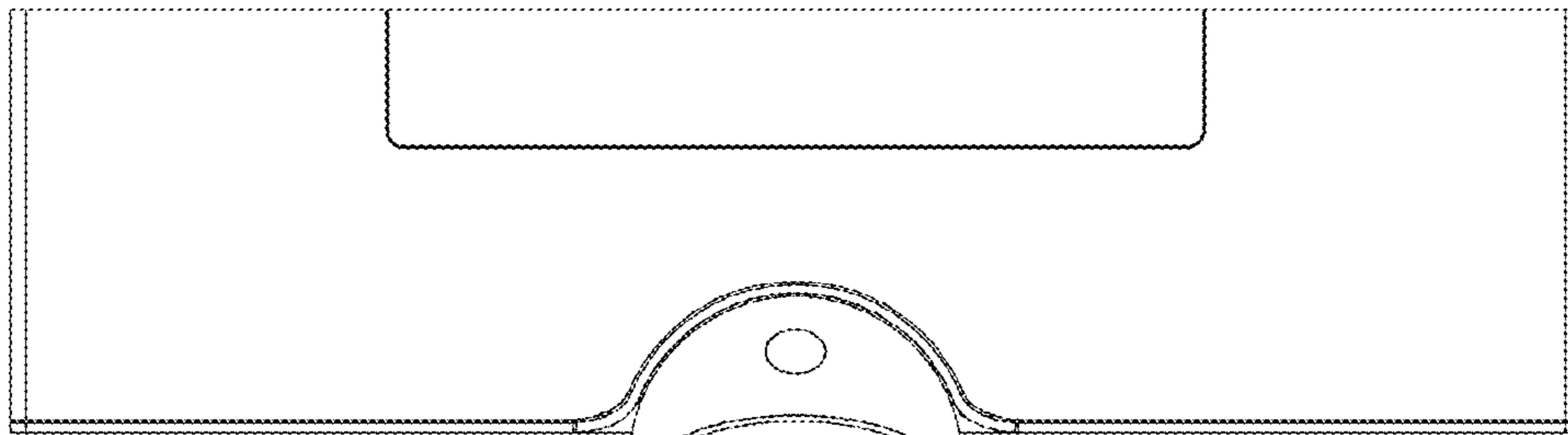


FIG. 3

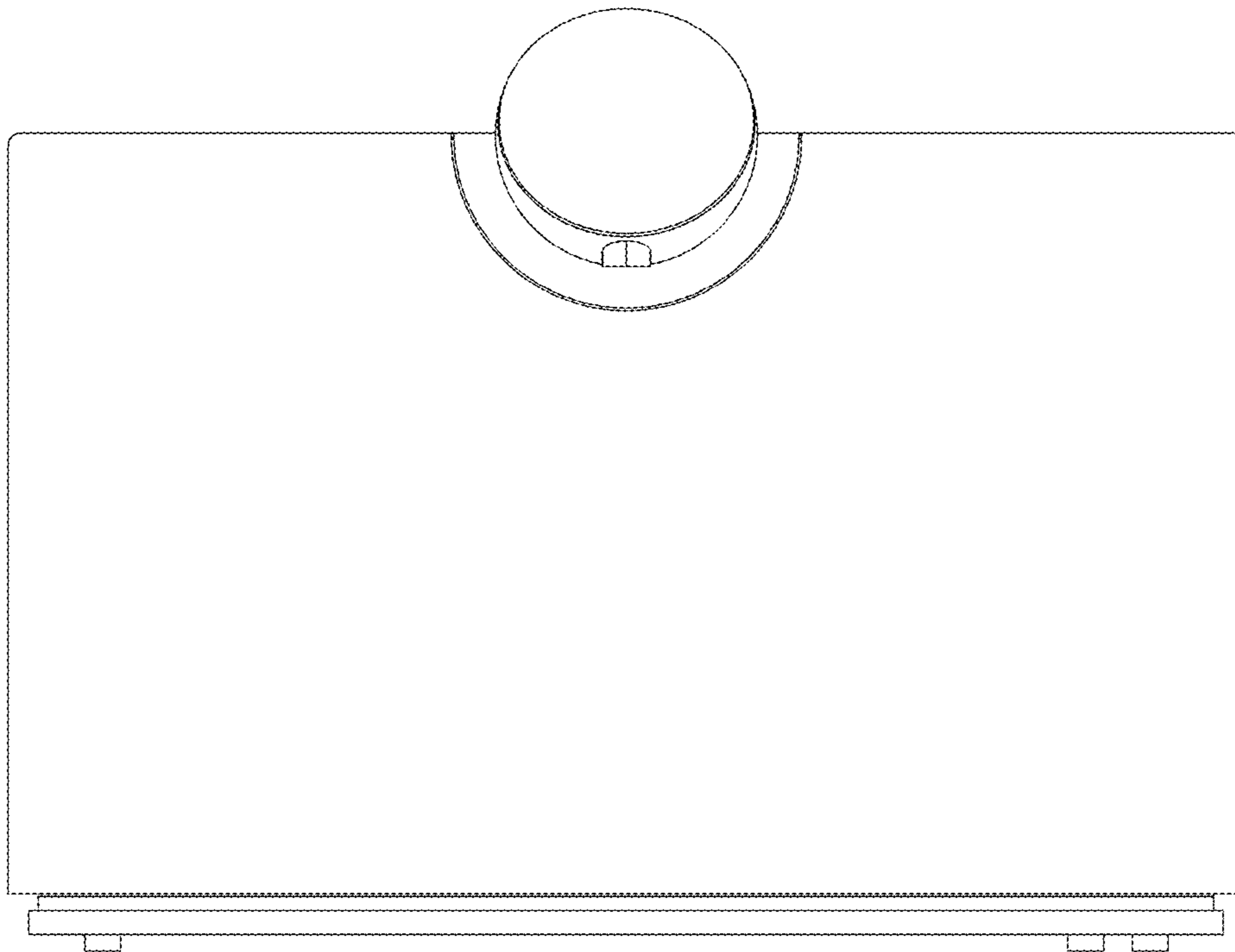


FIG. 2

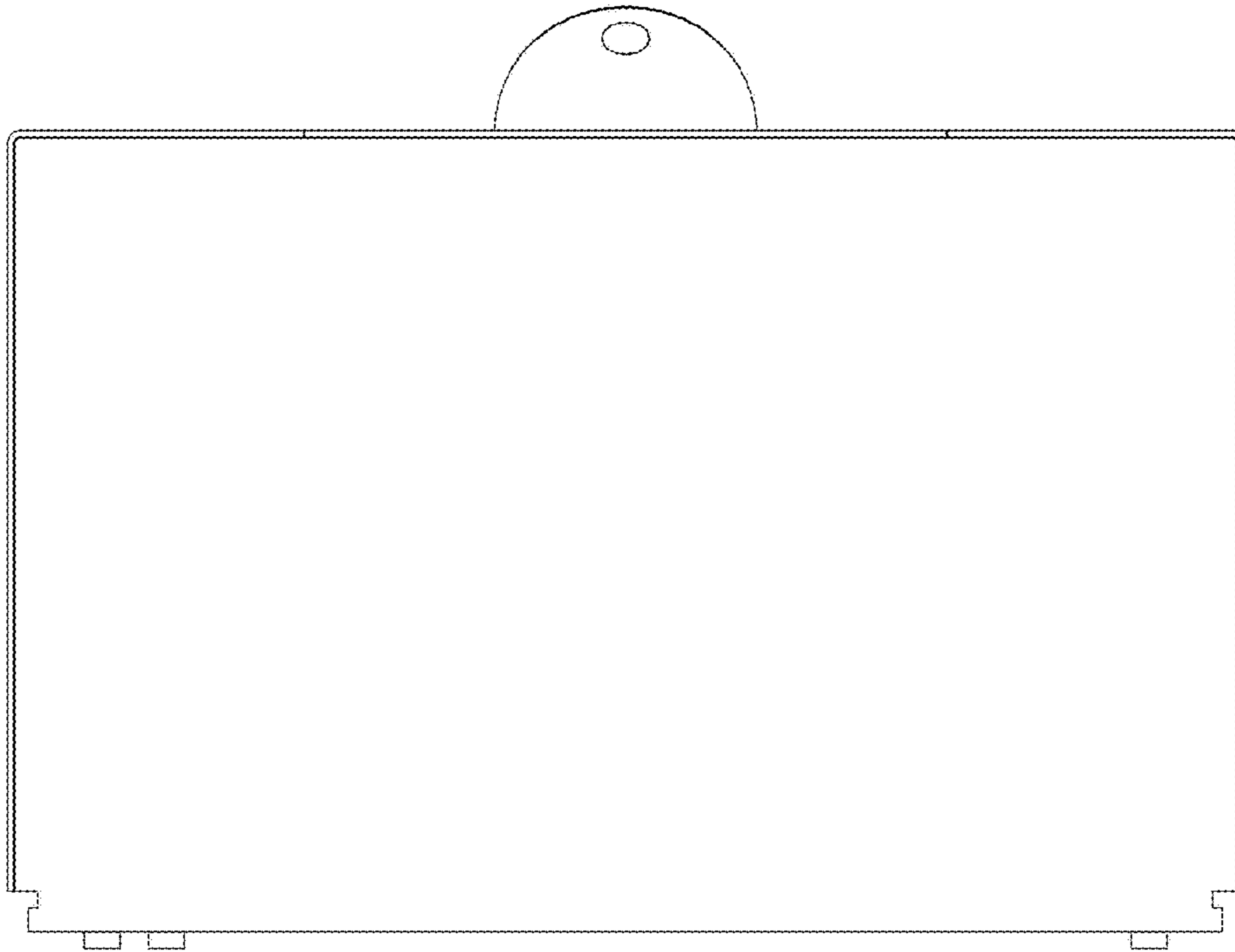


FIG. 4

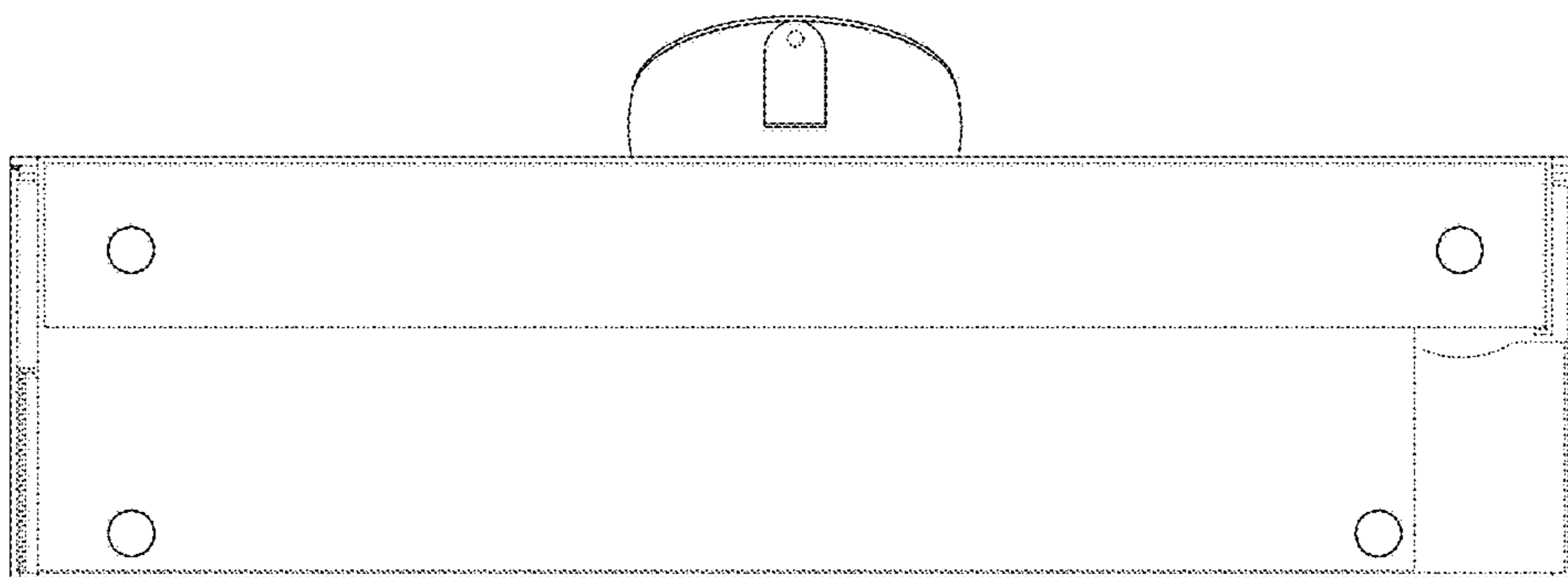


FIG. 5

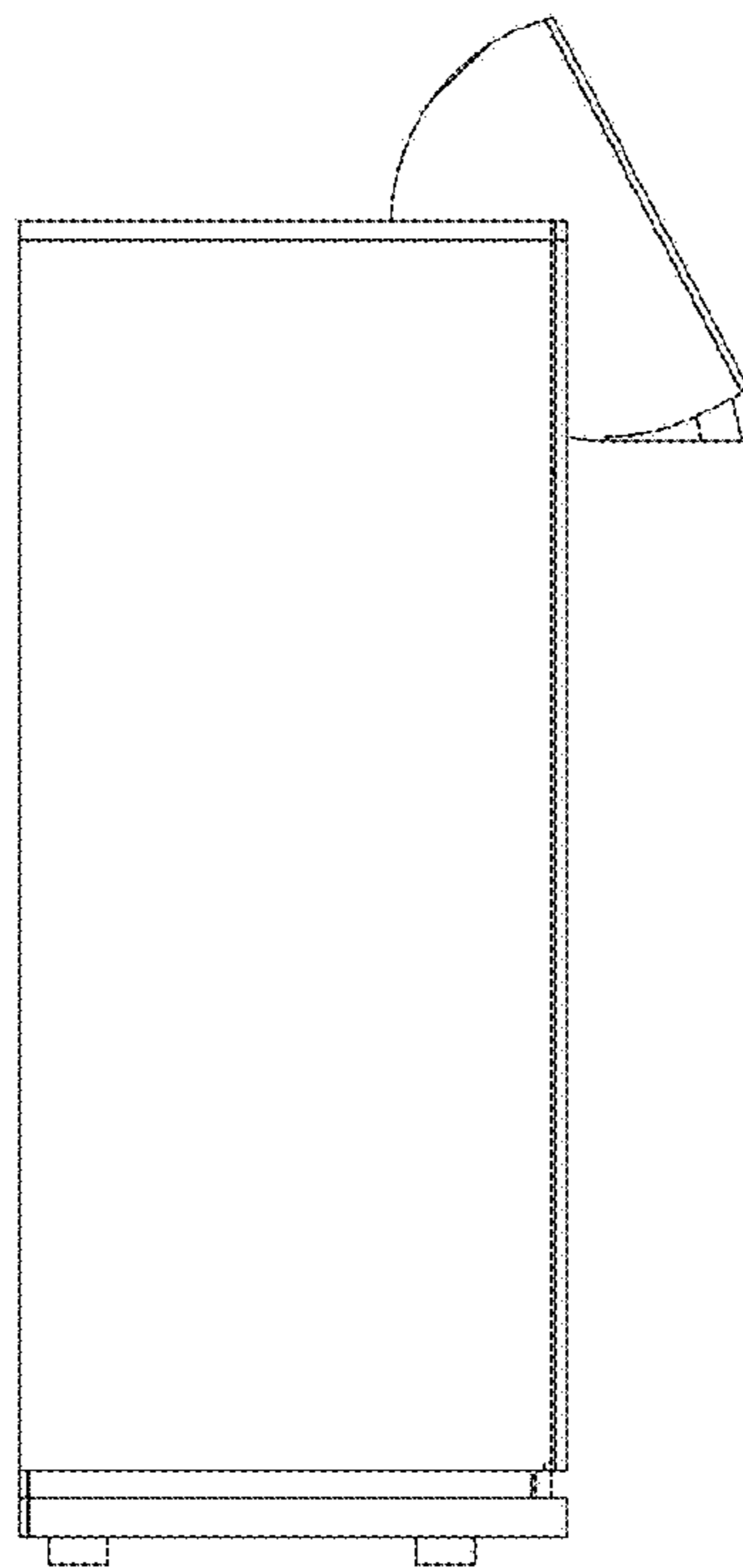


FIG. 6

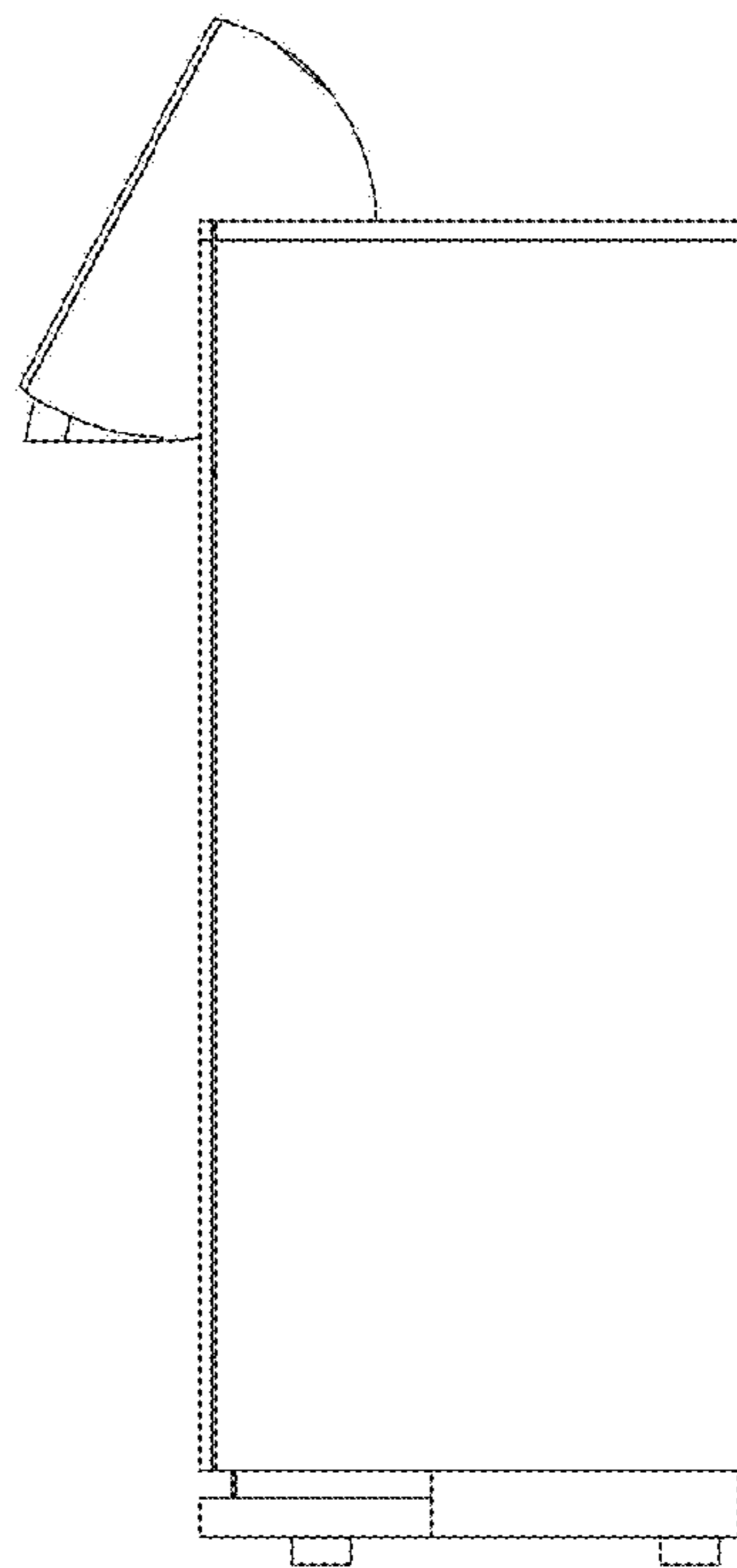


FIG. 7