



US00D859049S

(12) **United States Design Patent**
Choi

(10) **Patent No.:** **US D859,049 S**

(45) **Date of Patent:** **** Sep. 10, 2019**

- (54) **COFFEE DRIGPER**
- (71) Applicant: **Kikkerland Design, Inc.**, New York, NY (US)
- (72) Inventor: **Chantelle Choi**, Los Angeles, CA (US)
- (73) Assignee: **Kikkerland Design Inc**, New York, NY (US)

3,753,314 A *	8/1973	Clark	A01G 9/02 215/400
D291,426 S *	8/1987	Husbands	D11/145
D429,943 S *	8/2000	Yu	D7/306
D597,780 S *	8/2009	Desrochers	D7/301
D710,649 S *	8/2014	Kihl	D7/300
D764,216 S *	8/2016	Shao	D7/309
D807,676 S *	1/2018	Bodum	D7/318
2012/0067756 A1 *	3/2012	Jansen	B65D 1/0223 206/457

(**) Term: **15 Years**

* cited by examiner

(21) Appl. No.: **29/647,407**

Primary Examiner — Marianne N Pandozzi

(22) Filed: **May 11, 2018**

(74) *Attorney, Agent, or Firm* — Charles H. Jew

(51) **LOC (12) Cl.** **07-01**

(52) **U.S. Cl.**
USPC **D7/310; D7/309; D7/306; D7/399**

(58) **Field of Classification Search**
USPC D7/321, 310, 309, 397, 399, 612, 401,
D7/598, 300, 306, 313; D11/145
CPC B65D 1/0223; A47J 31/0576; A47J 31/043
See application file for complete search history.

(57) **CLAIM**

The ornamental design for a coffee dripper, as shown and described.

DESCRIPTION

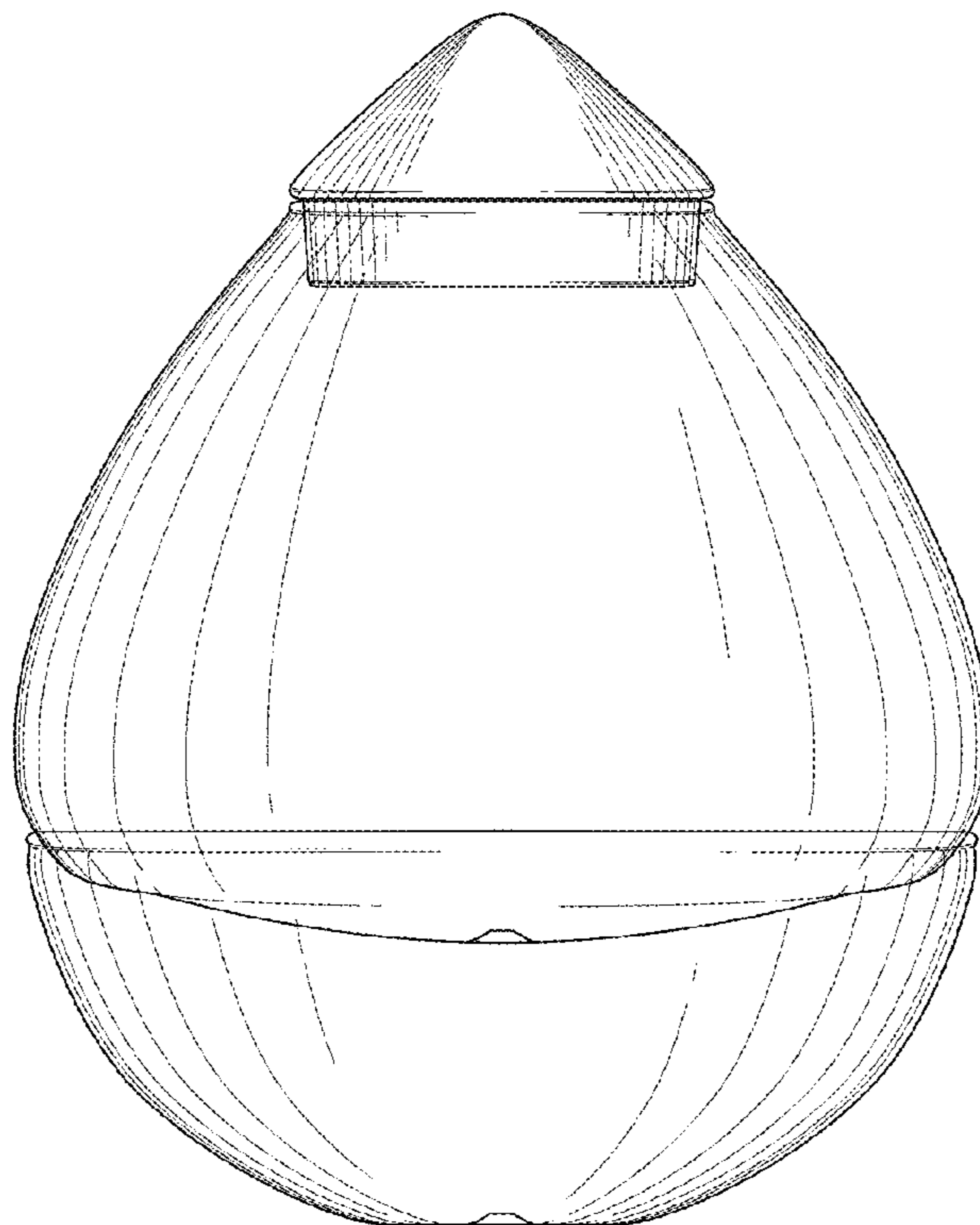
FIG. 1 is a front elevational view of a coffee dripper showing my novel design;
FIG. 2 is a rear elevational view thereof;
FIG. 3 is a right side elevational view thereof;
FIG. 4 is a left side elevational view thereof;
FIG. 5 is a top plan view thereof;
FIG. 6 is a bottom plan view thereof;
FIG. 7 is a front perspective view thereof; and,
FIG. 8 is an exploded front elevational view thereof.

(56) **References Cited**

U.S. PATENT DOCUMENTS

2,087,664 A *	7/1937	Cory	A47J 31/043 215/396
2,824,509 A *	2/1958	Trogden	A47J 31/0576 99/292

1 Claim, 5 Drawing Sheets



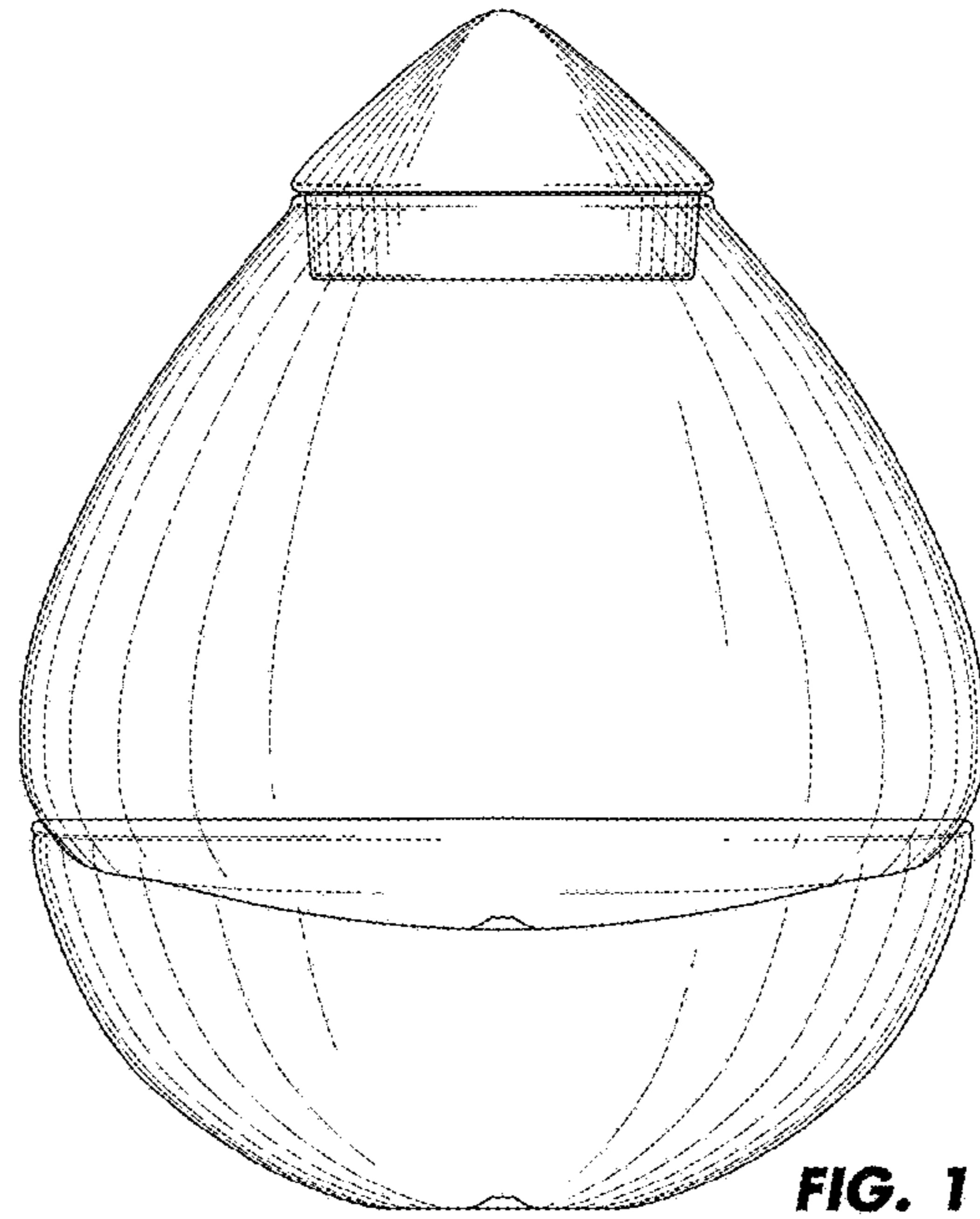


FIG. 1

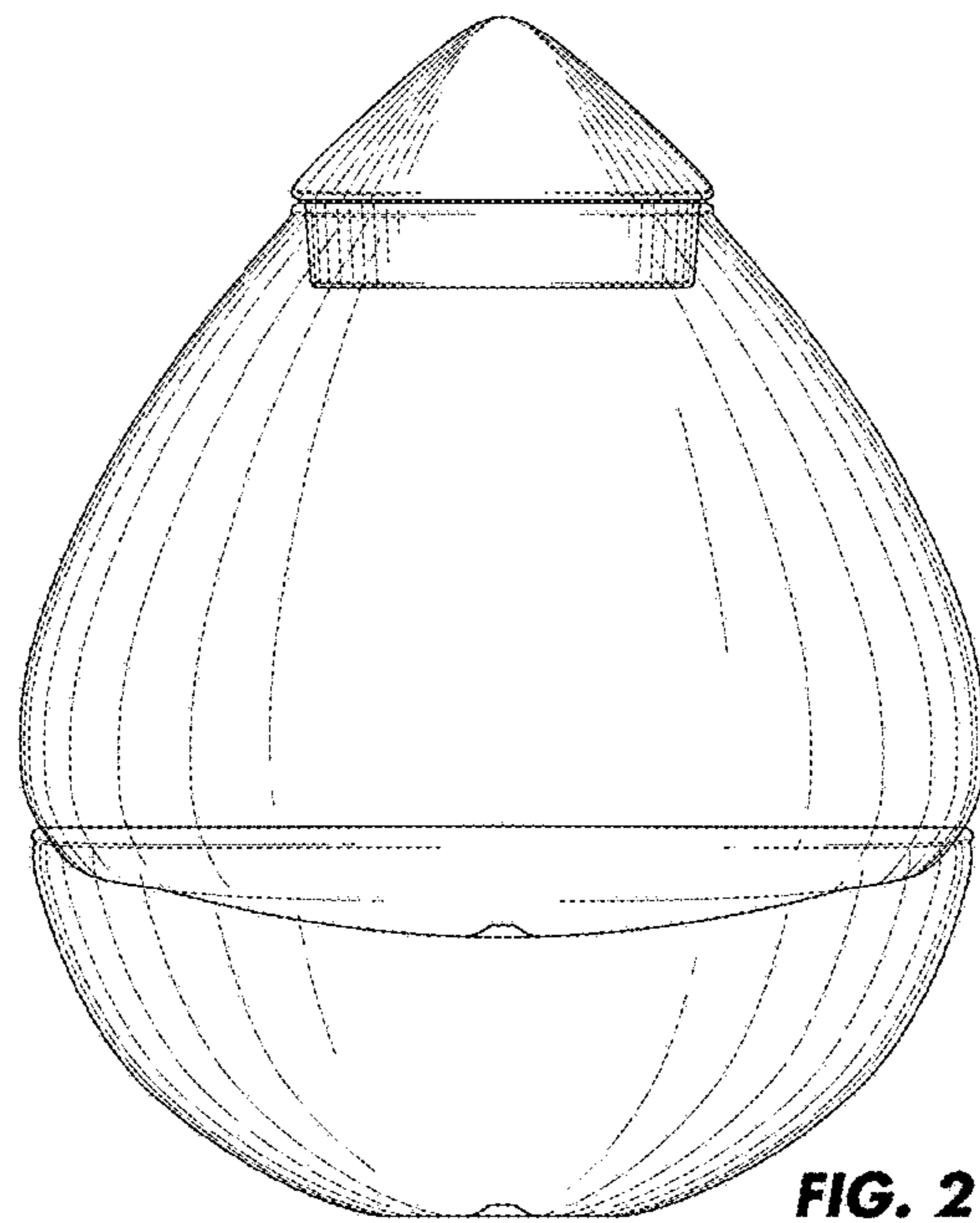


FIG. 2

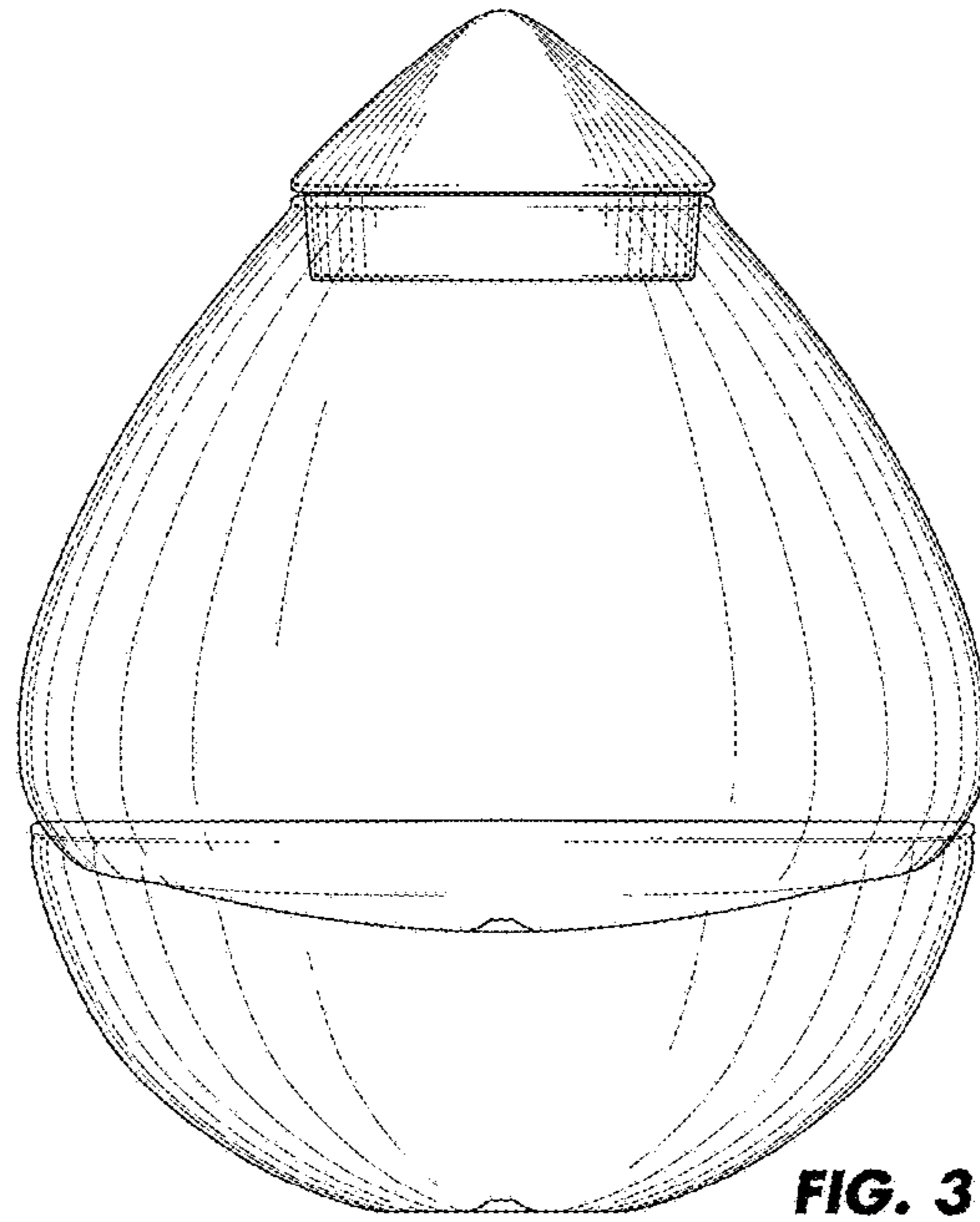


FIG. 3

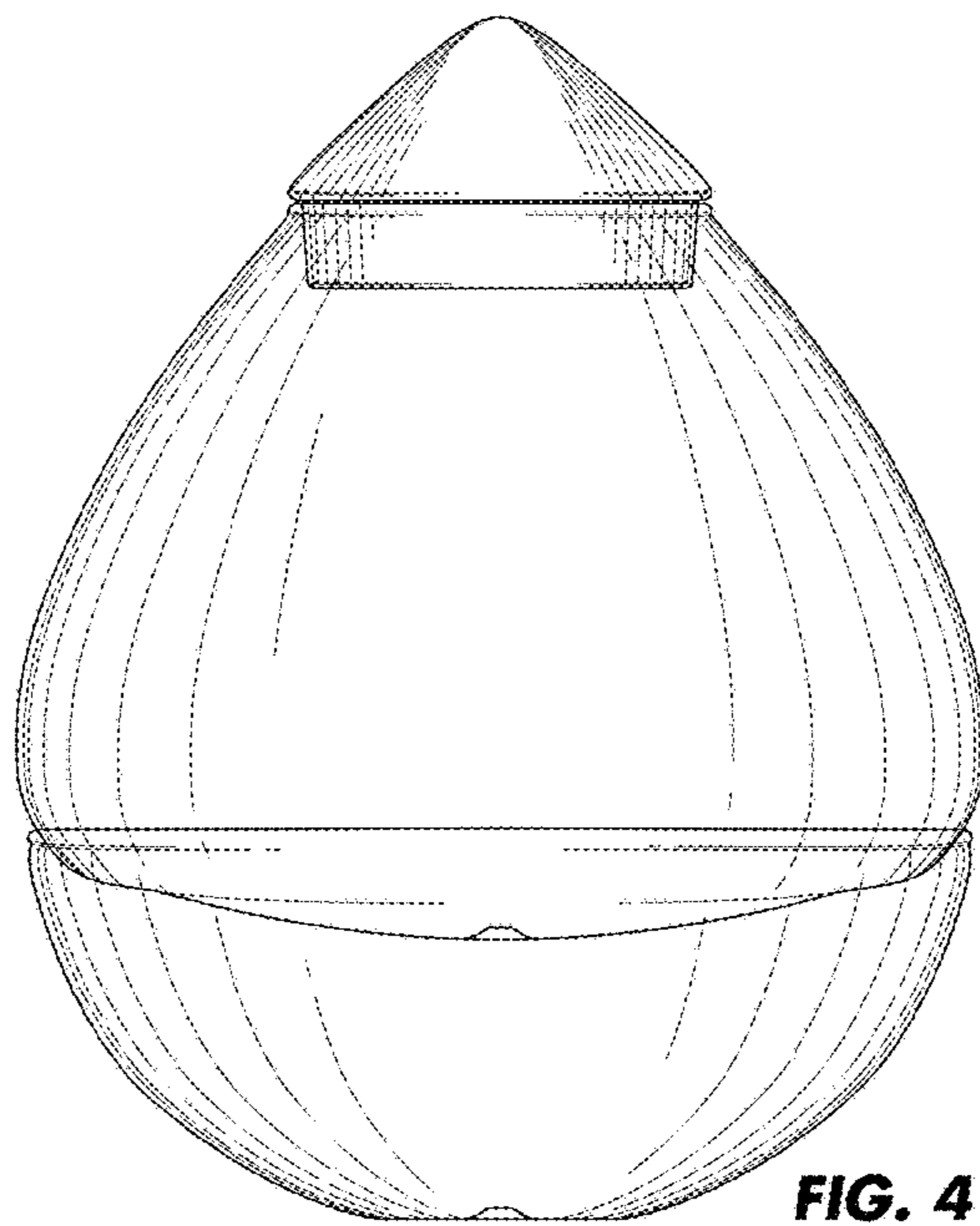


FIG. 4

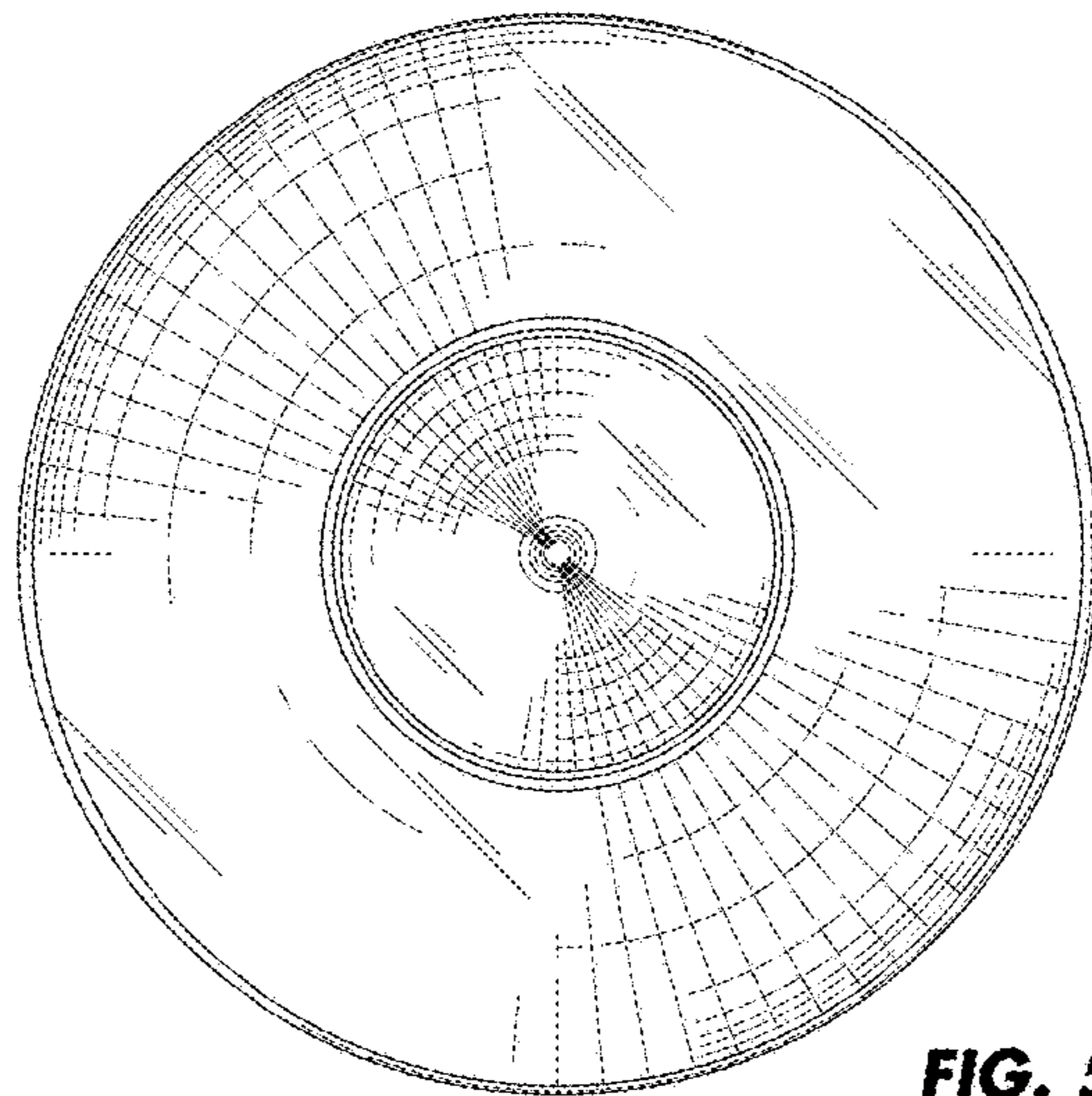


FIG. 5

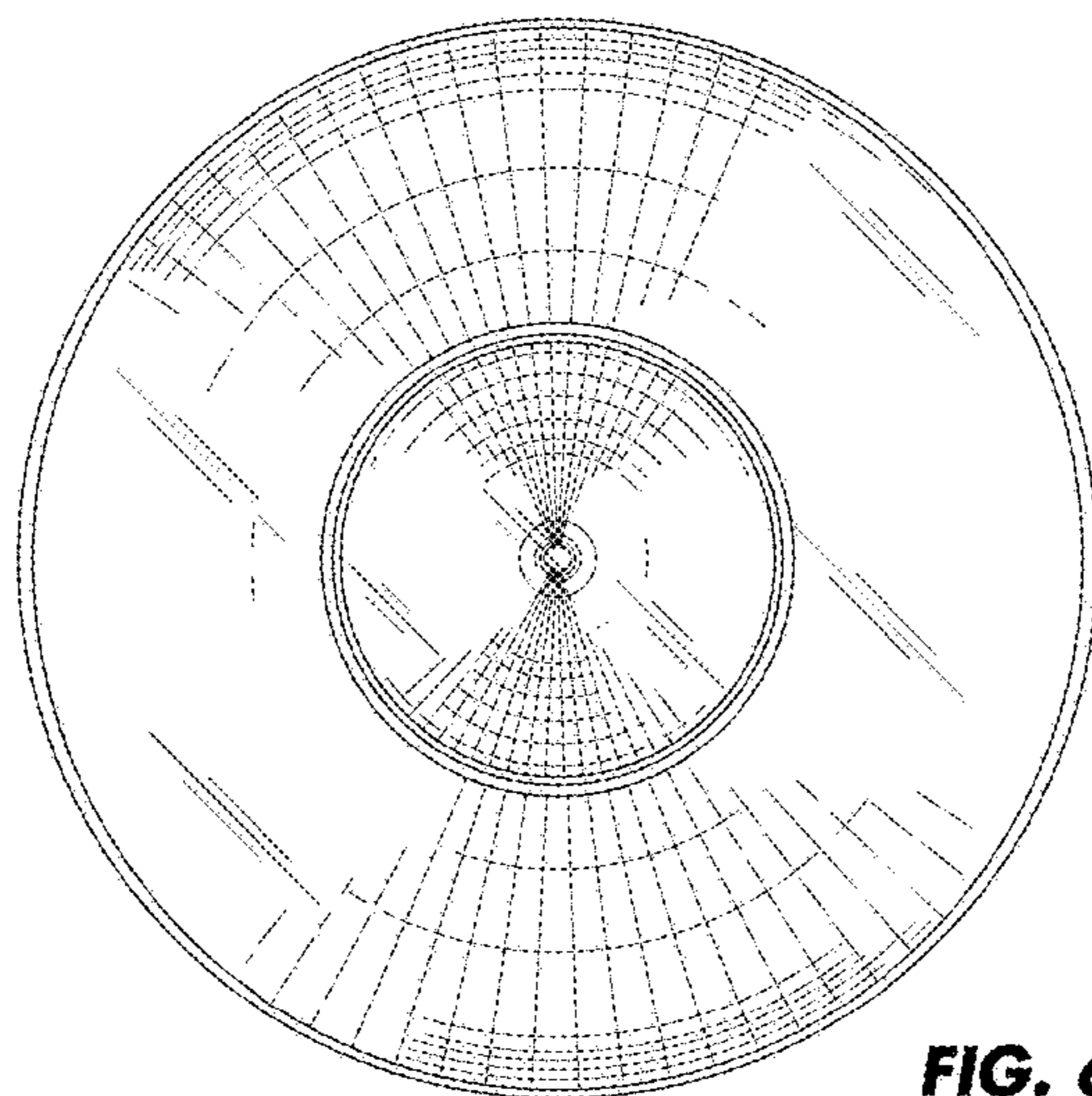


FIG. 6

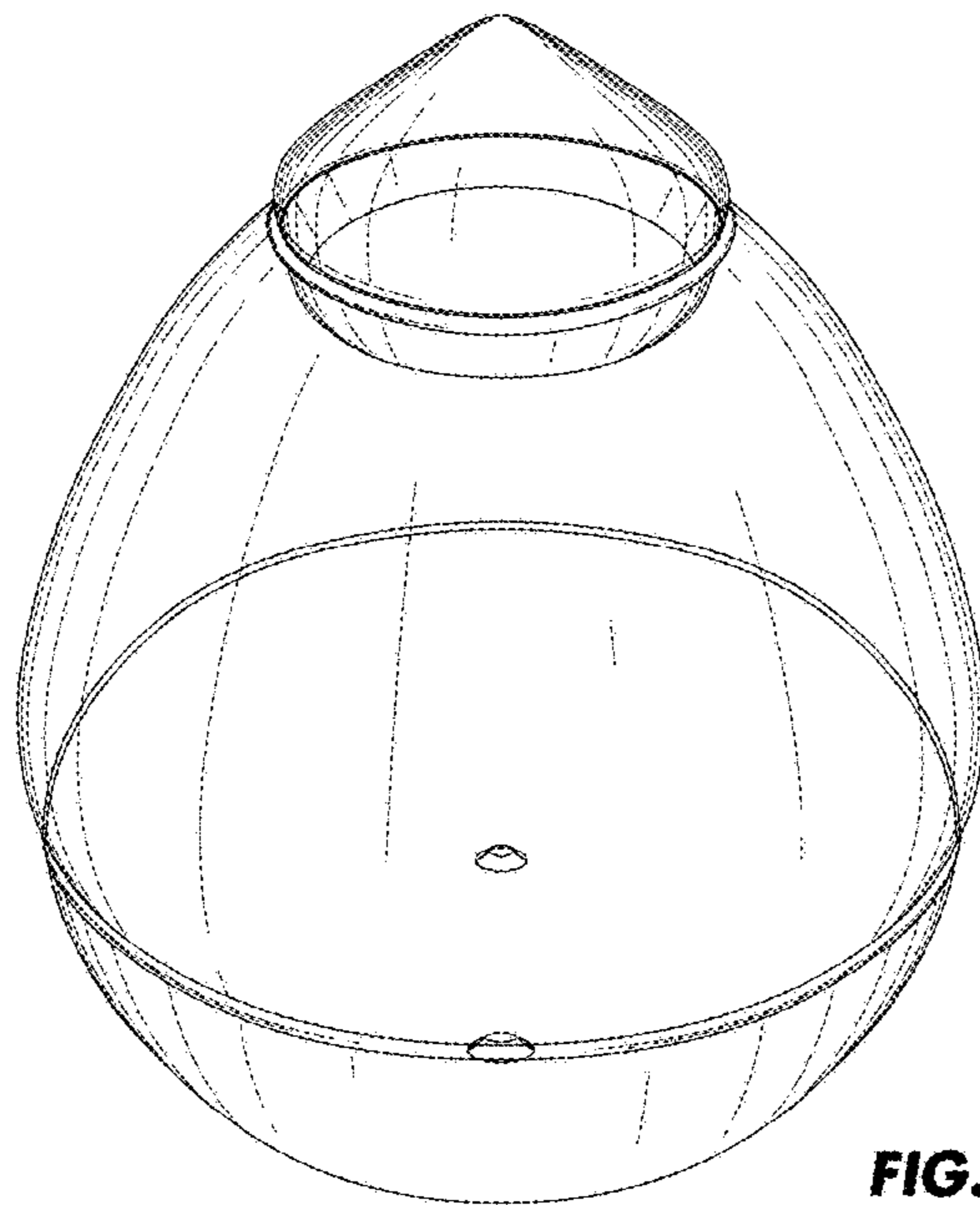


FIG. 7

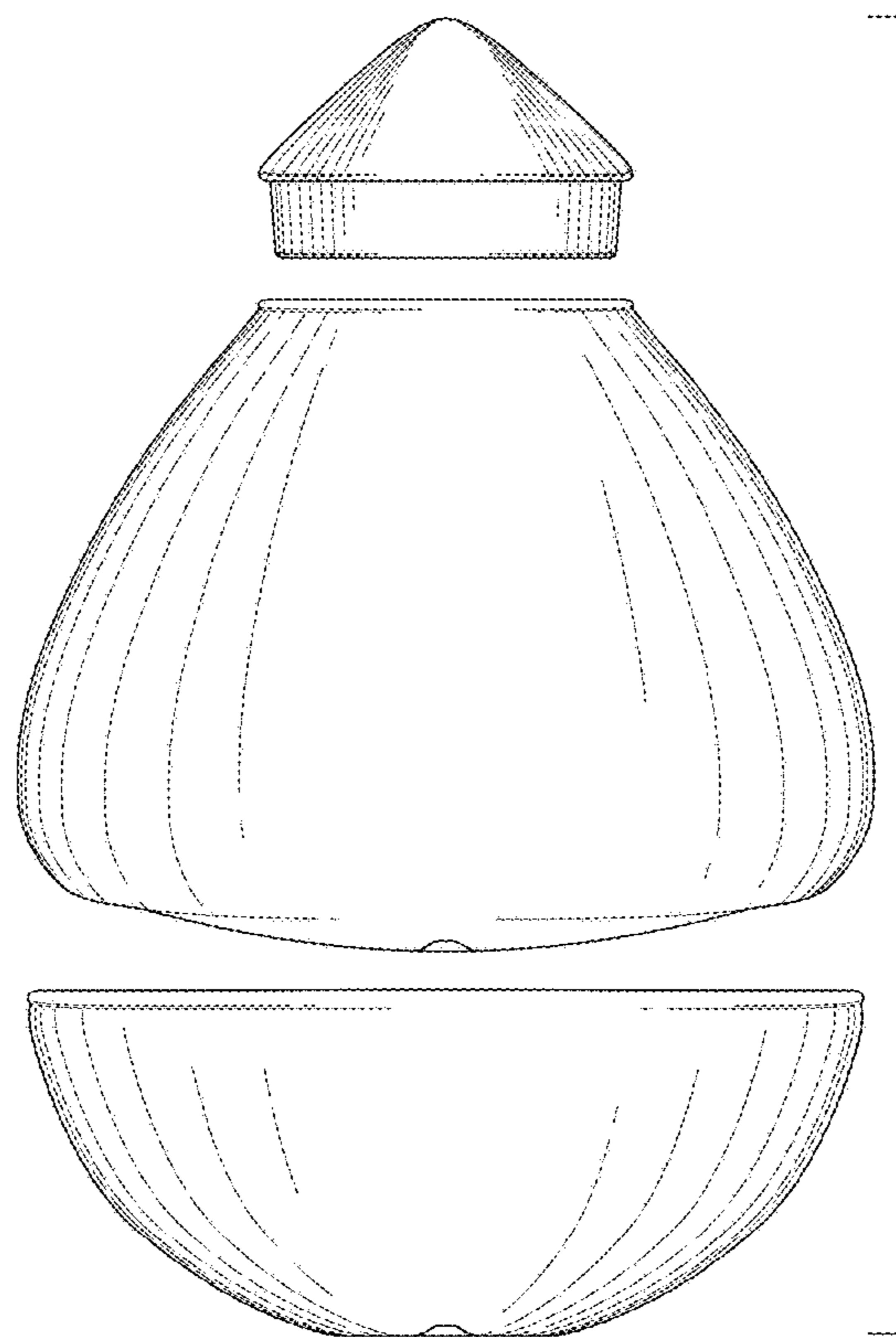


FIG. 8

UNITED STATES PATENT AND TRADEMARK OFFICE
CERTIFICATE OF CORRECTION

PATENT NO. : D859,049 S
APPLICATION NO. : 29/647407
DATED : September 10, 2019
INVENTOR(S) : Chantelle Choi

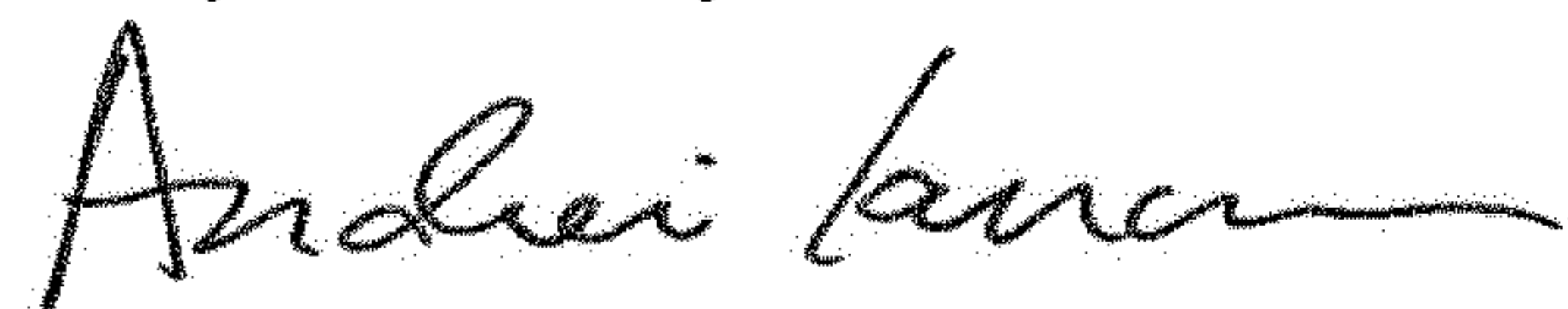
Page 1 of 1

It is certified that error appears in the above-identified patent and that said Letters Patent is hereby corrected as shown below:

On the Title Page

At Item (54) The Title should be corrected from “Coffee Drigper” to “Coffee Dripper”.

Signed and Sealed this
Twenty-sixth Day of November, 2019



Andrei Iancu
Director of the United States Patent and Trademark Office