



US00D859047S

(12) **United States Design Patent**
Su

(10) **Patent No.:** **US D859,047 S**

(45) **Date of Patent:** **** Sep. 10, 2019**

(54) **CHAIR BACK**

(71) Applicant: **Chih-Cheng Su**, Dongguan (CN)

(72) Inventor: **Chih-Cheng Su**, Dongguan (CN)

(73) Assignee: **DONGGUAN KENTEC OFFICE SEATING CO., LTD.**, Dongguan (CN)

(**) Term: **15 Years**

(21) Appl. No.: **29/632,095**

(22) Filed: **Jan. 5, 2018**

(51) **LOC (12) Cl.** **06-01**

(52) **U.S. Cl.**
USPC **D6/716.4**

(58) **Field of Classification Search**
USPC D6/334-336, 364, 365, 366, 367, 369,
D6/379, 380, 716, 716.1, 716.2, 716.4
CPC A47C 7/16; A47C 7/40; A47C 7/46; A47C
7/02; A47C 7/282; A47C 7/285
See application file for complete search history.

(56) **References Cited**

U.S. PATENT DOCUMENTS

D540,578 S * 4/2007 Chen D6/366
D558,994 S * 1/2008 Machael D6/366

D641,573 S * 7/2011 Tsai D6/716.4
D708,882 S * 7/2014 Hsuan-Chin D6/716.4
D767,320 S * 9/2016 Xingchang D6/716.4
D774,346 S * 12/2016 Tsai D6/716.4
D774,814 S * 12/2016 Powell D6/716.4
D793,143 S * 8/2017 Tsai D6/716.4
D798,092 S * 9/2017 Pan D6/366
D810,487 S * 2/2018 Kim D6/716.4
D823,626 S * 7/2018 Chen D6/716.4

* cited by examiner

Primary Examiner — Mimoso De

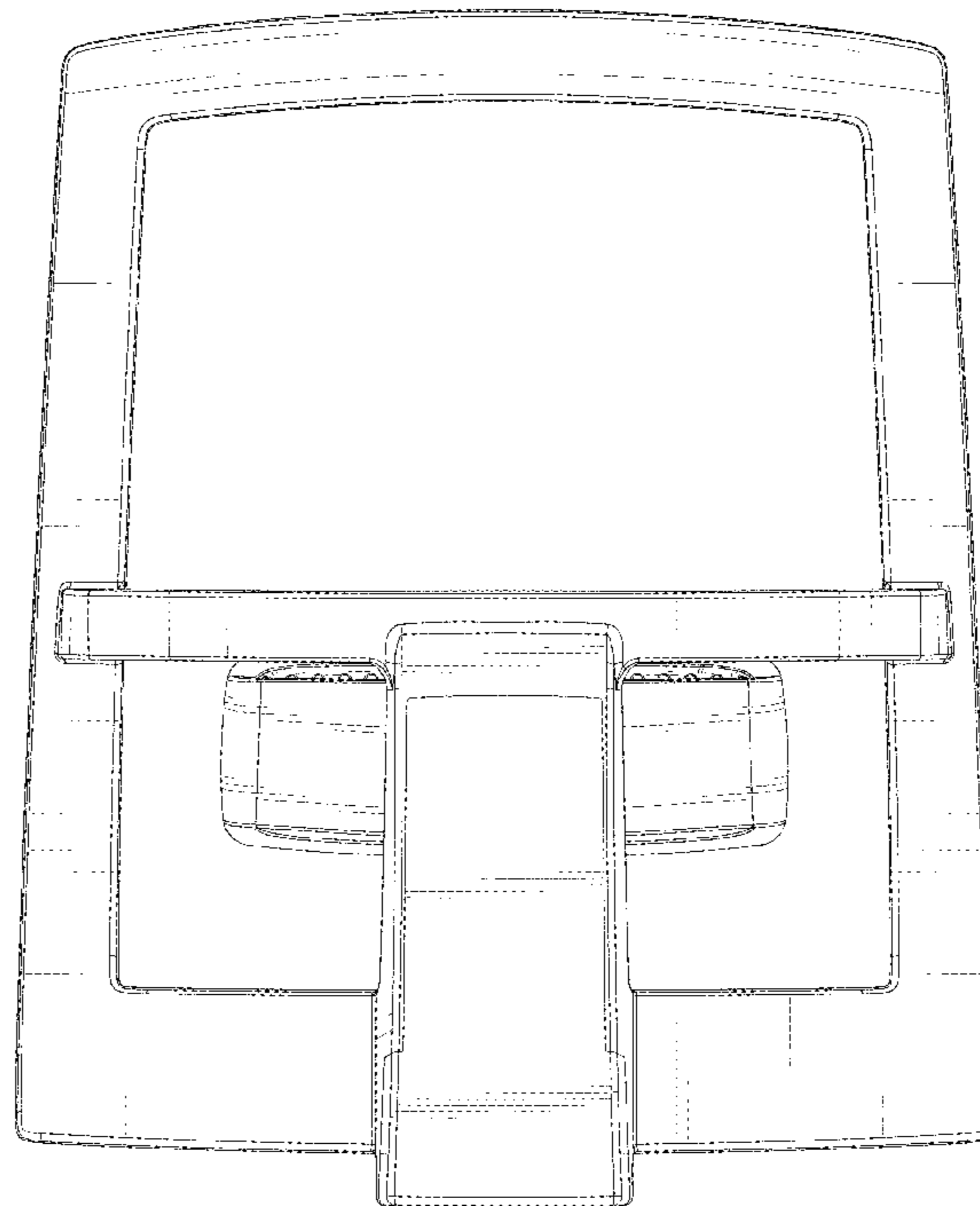
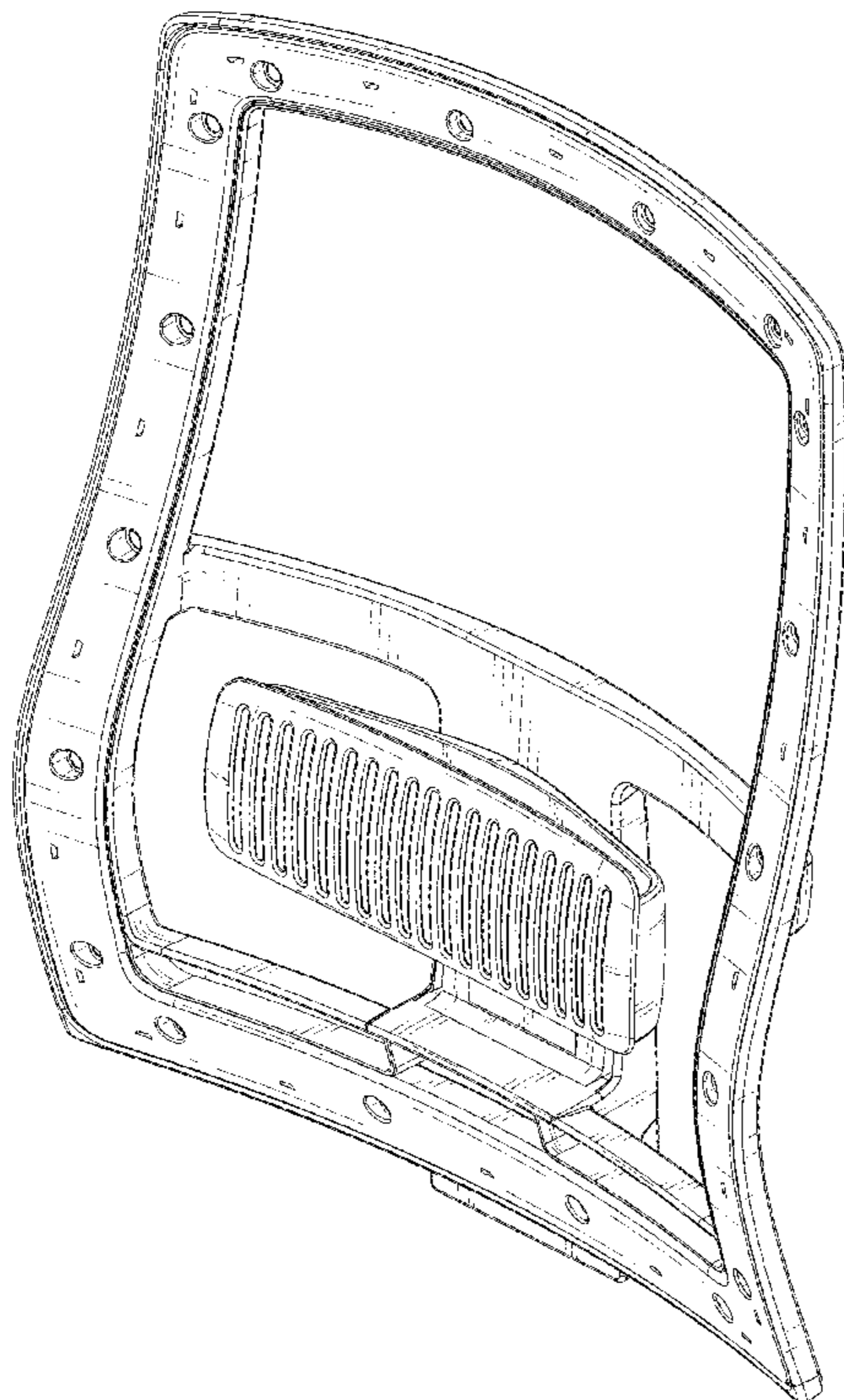
(57) **CLAIM**

The ornamental design for a chair back, as shown.

DESCRIPTION

FIG. 1 is a perspective view of a chair back showing my new design;
FIG. 2 is a front elevational view thereof;
FIG. 3 is a rear elevational view thereof;
FIG. 4 is a left side elevational view thereof;
FIG. 5 is a right side elevational view thereof;
FIG. 6 is a top plan view thereof;
FIG. 7 is a bottom plan view thereof; and,
FIG. 8 is another perspective view thereof.

1 Claim, 8 Drawing Sheets



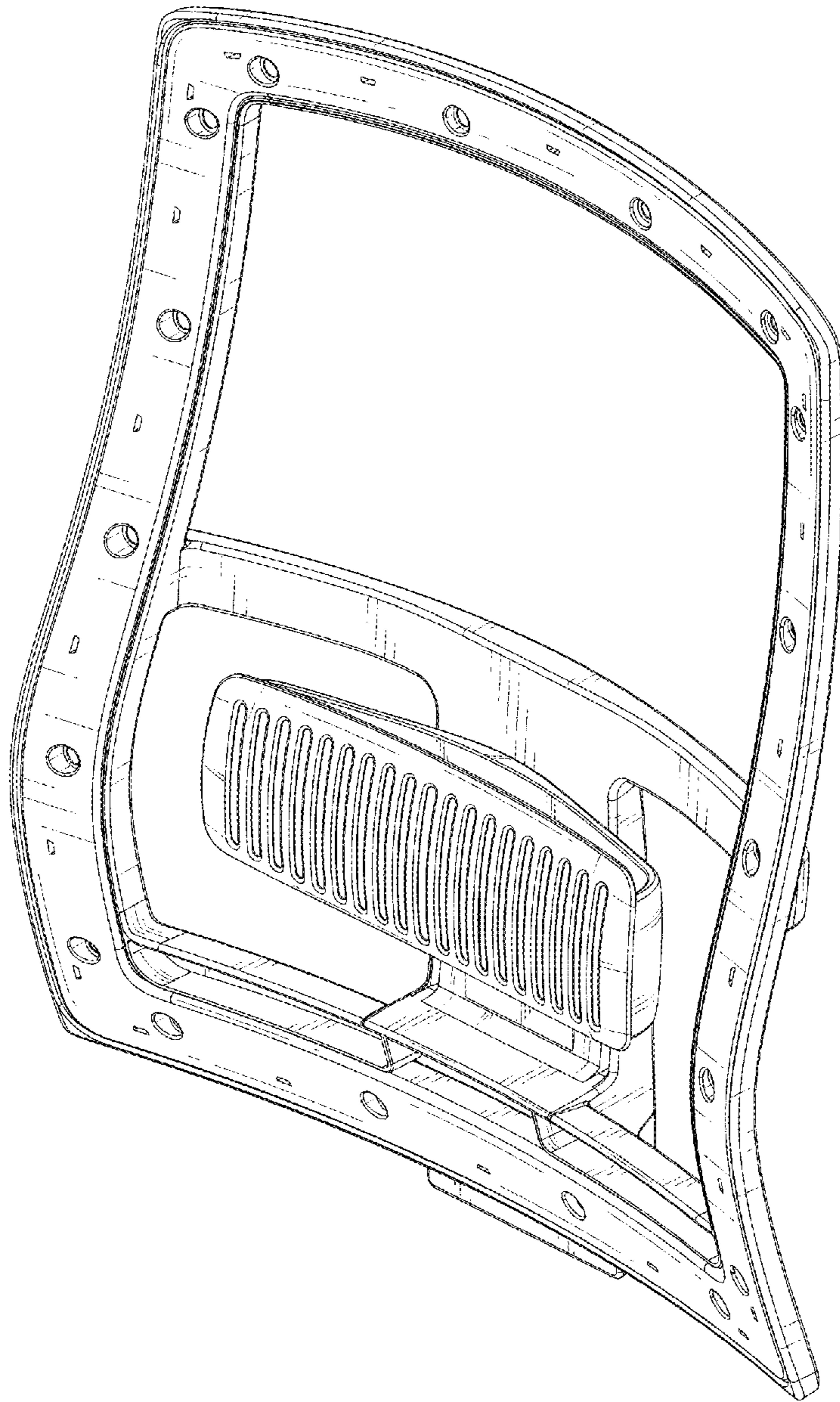


FIG. 1

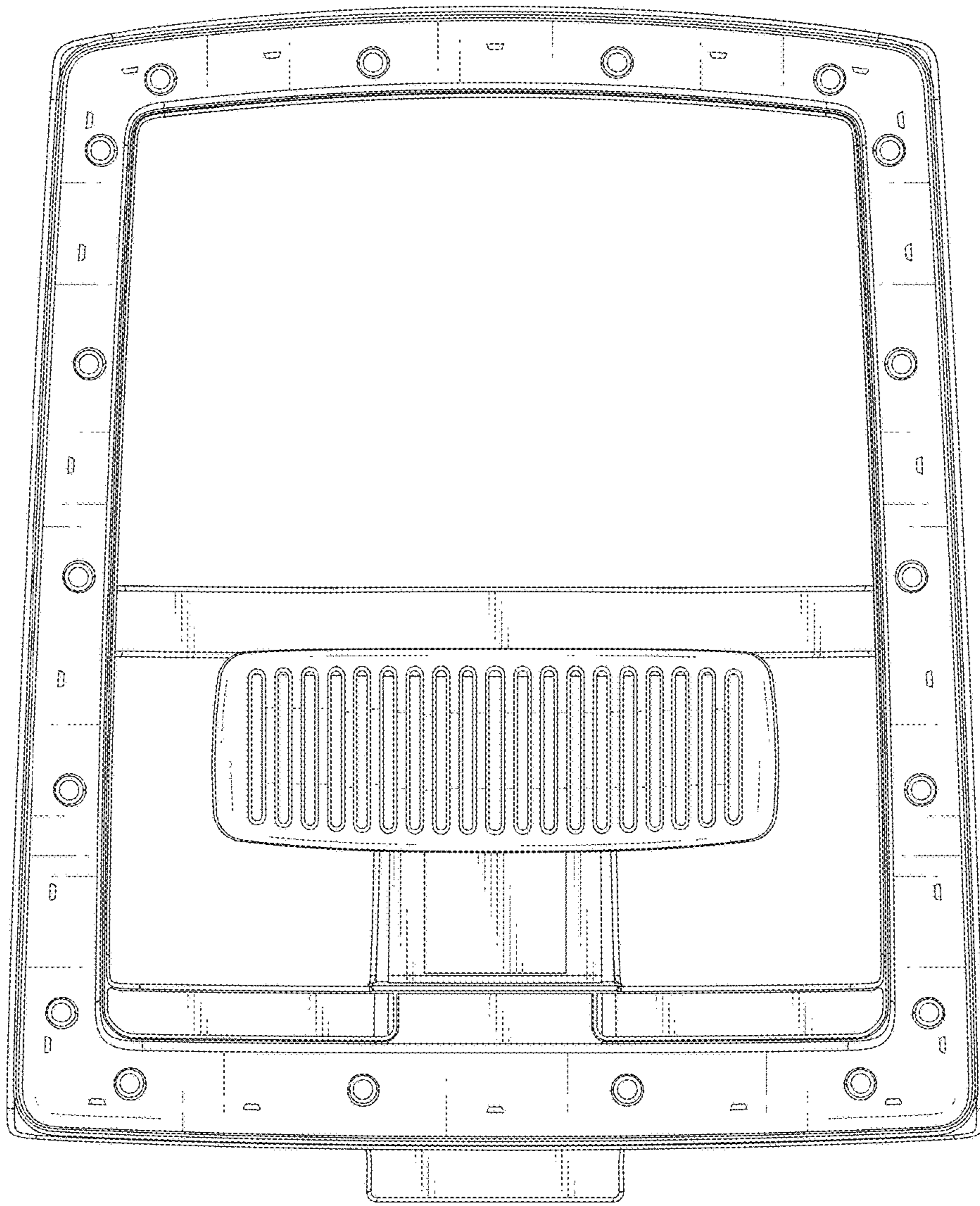


FIG. 2

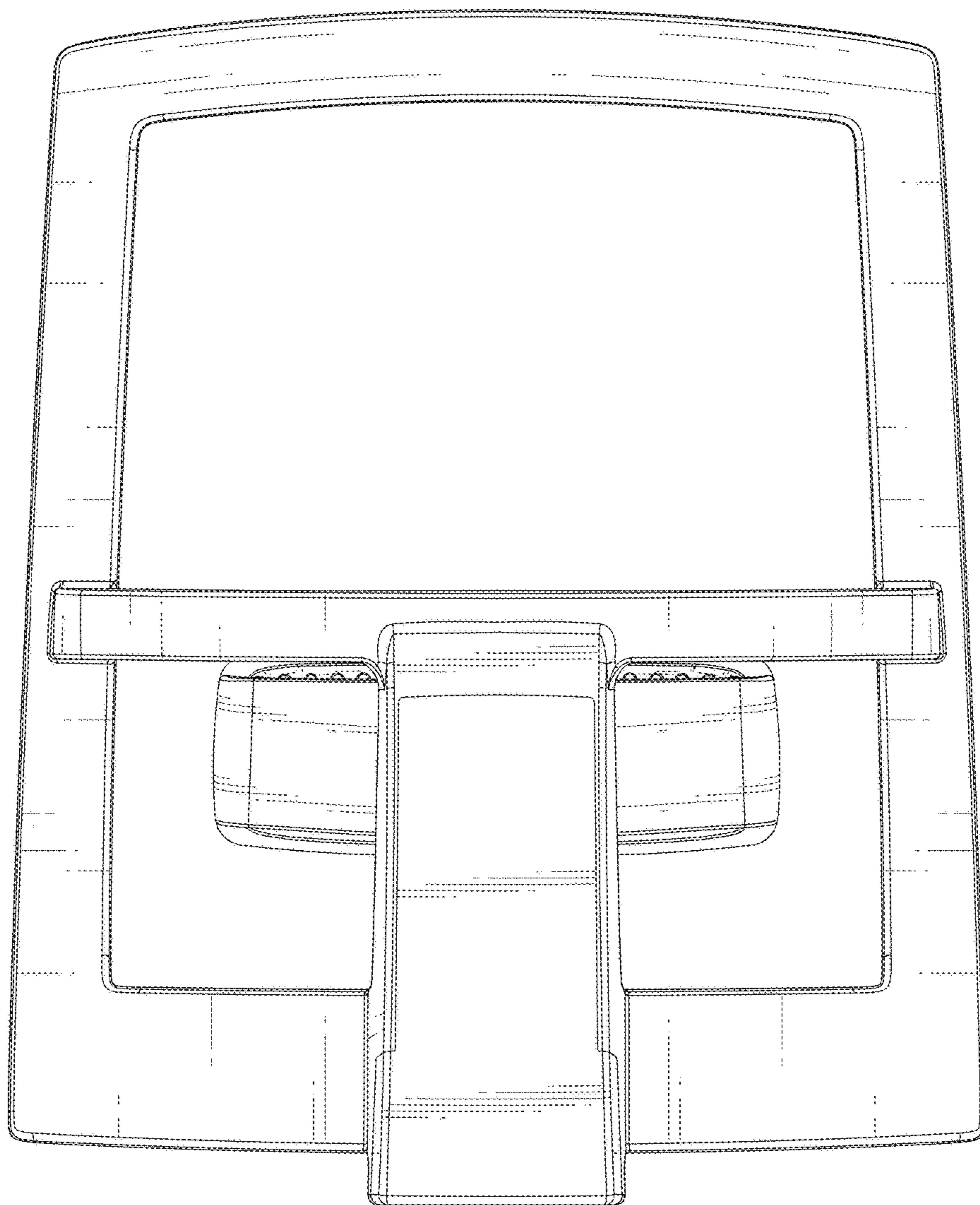


FIG. 3

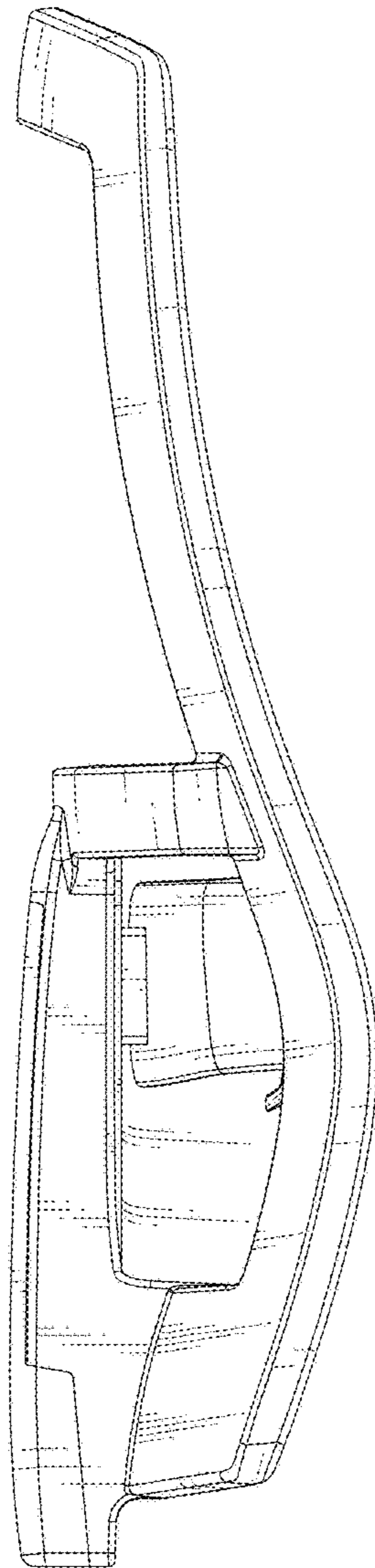


FIG. 4

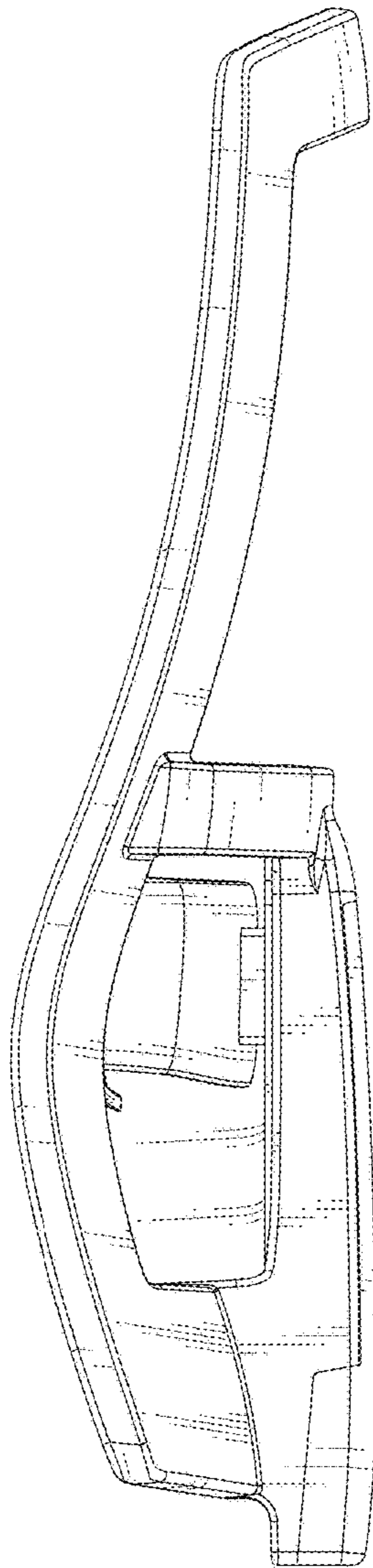


FIG. 5

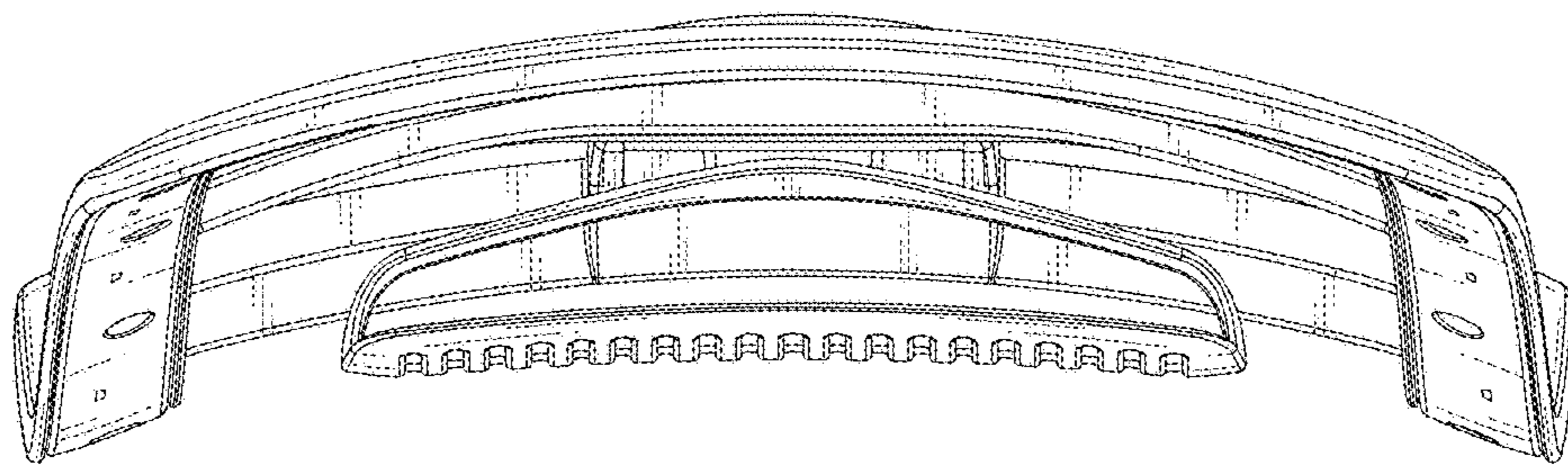


FIG. 6

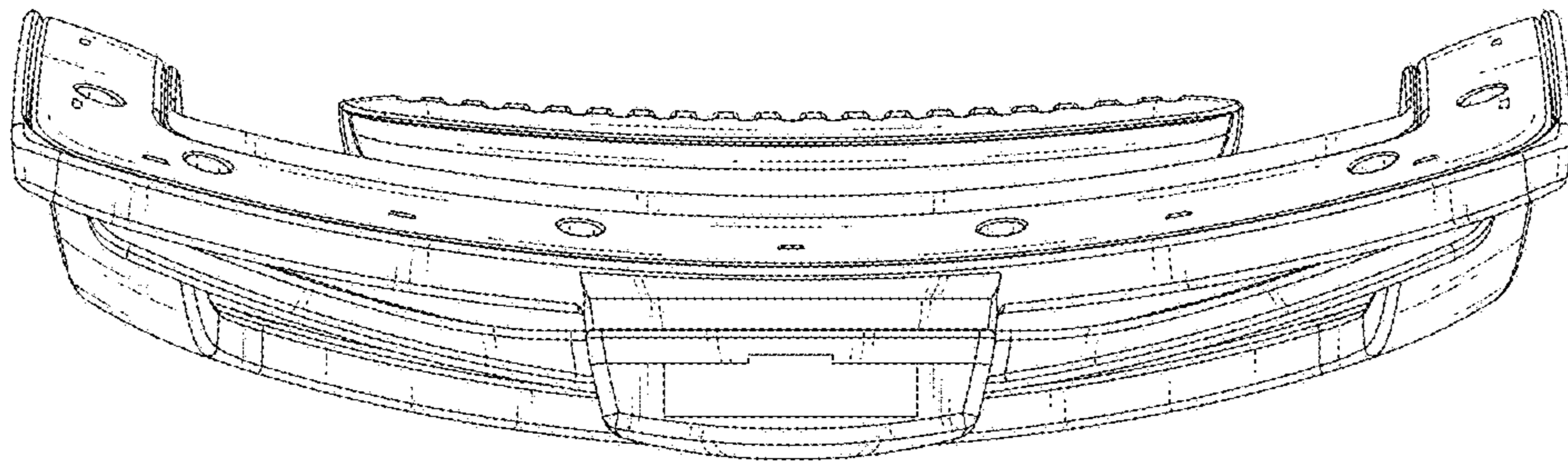


FIG. 7

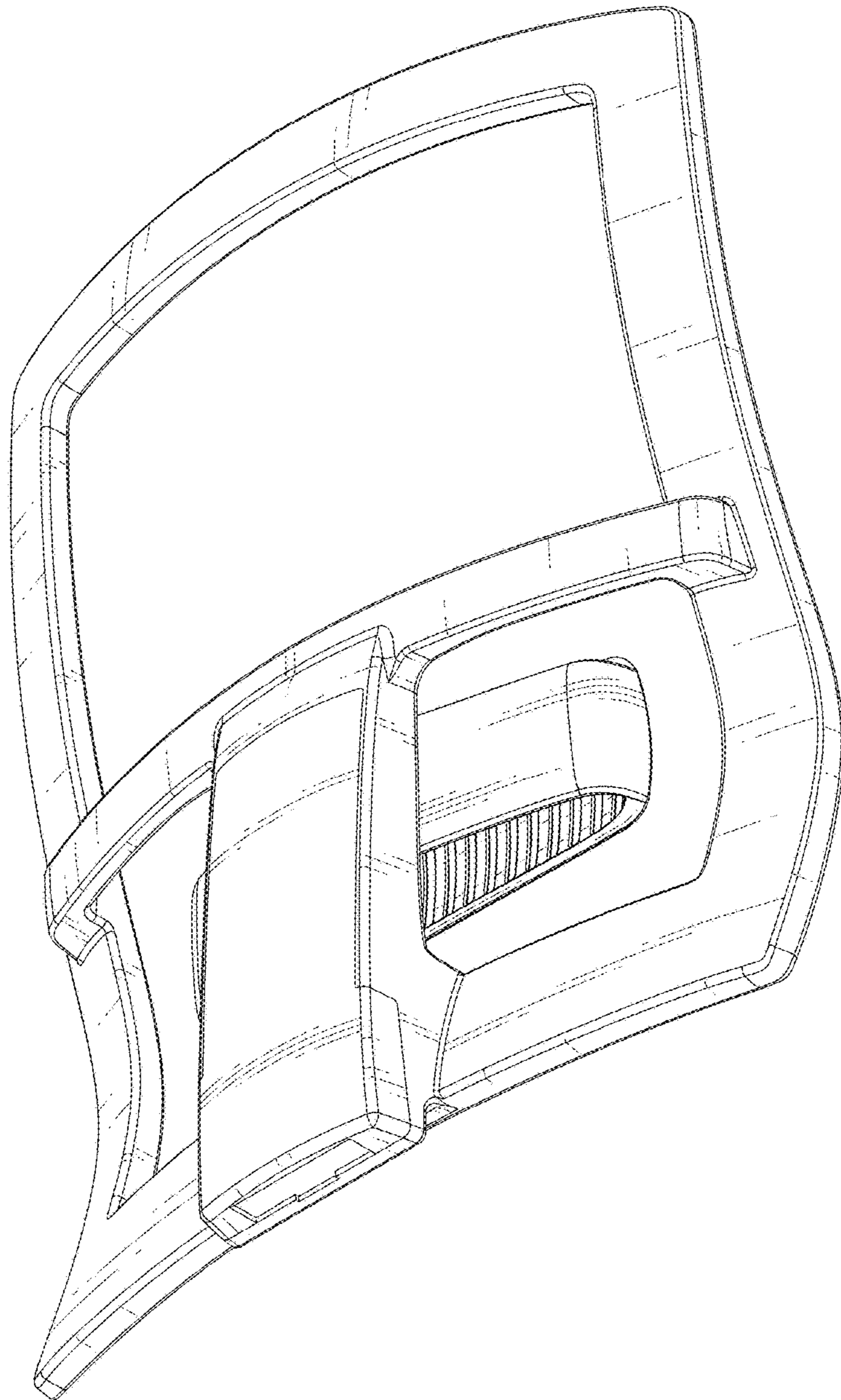


FIG. 8