



US00D859046S

(12) **United States Design Patent** (10) **Patent No.:** **US D859,046 S**
Malmén (45) **Date of Patent:** **** Sep. 10, 2019**

(54) **SEAT**
(71) Applicant: **PLANMECA OY**, Helsinki (FI)
(72) Inventor: **Kari Malmén**, Helsinki (FI)
(73) Assignee: **Planmeca OY**, Helsinki (FI)
(**) Term: **15 Years**
(21) Appl. No.: **35/503,618**
(22) Filed: **Mar. 1, 2017**

D433,854 S * 11/2000 Diffrient D6/340
D509,076 S * 9/2005 Beck D6/349
D545,383 S * 6/2007 Bingham, Jr. D21/695
D546,594 S * 7/2007 Kane D6/366
D577,229 S * 9/2008 Haaksma D6/366
D577,230 S * 9/2008 Haaksma D6/366
D715,567 S * 10/2014 Lensing D6/349
D719,749 S * 12/2014 Hernandez D6/349
D763,611 S * 8/2016 Petruccelli D6/716
D767,928 S * 10/2016 Silvonen D6/366
D783,331 S * 4/2017 Alvarez D6/708.23
D795,621 S * 8/2017 Ono D6/360
D801,714 S * 11/2017 Elmaleh D6/352
D817,651 S * 5/2018 Siebert D6/353
D817,679 S * 5/2018 Nakamura D6/716
D823,624 S * 7/2018 Elmaleh D6/716

(80) **Hague Agreement Data**

Int. Filing Date: **Mar. 1, 2017**
Int. Reg. No.: **DM/095143**
Int. Reg. Date: **Mar. 1, 2017**
Int. Reg. Pub. Date: **Sep. 1, 2017**

* cited by examiner

Primary Examiner — Melanie H Tung
Assistant Examiner — Bao-Yen T Nguyen
(74) *Attorney, Agent, or Firm* — Fay Sharpe, LLP

(51) **LOC (12) Cl.** **06-13**

(52) **U.S. Cl.**
USPC **D6/716.1**

(57) **CLAIM**

The ornamental design for a seat, as shown and described.

(58) **Field of Classification Search**
USPC D6/334, 336-342, 349-353, 355, 358,
D6/360, 364-365, 406.2, 574, 596, 597,
D6/601, 604, 716.1, 716.6
CPC .. A47C 16/02-04; A47C 13/00; A47K 17/02;
A47K 17/028
See application file for complete search history.

DESCRIPTION

- 1. Seat
- 1.1 : Perspective
- 1.2 : Perspective
- 1.3 : Front
- 1.4 : Right
- 1.5 : Left
- 1.6 : Back
- 1.7 : Top
- 1.8 : Bottom

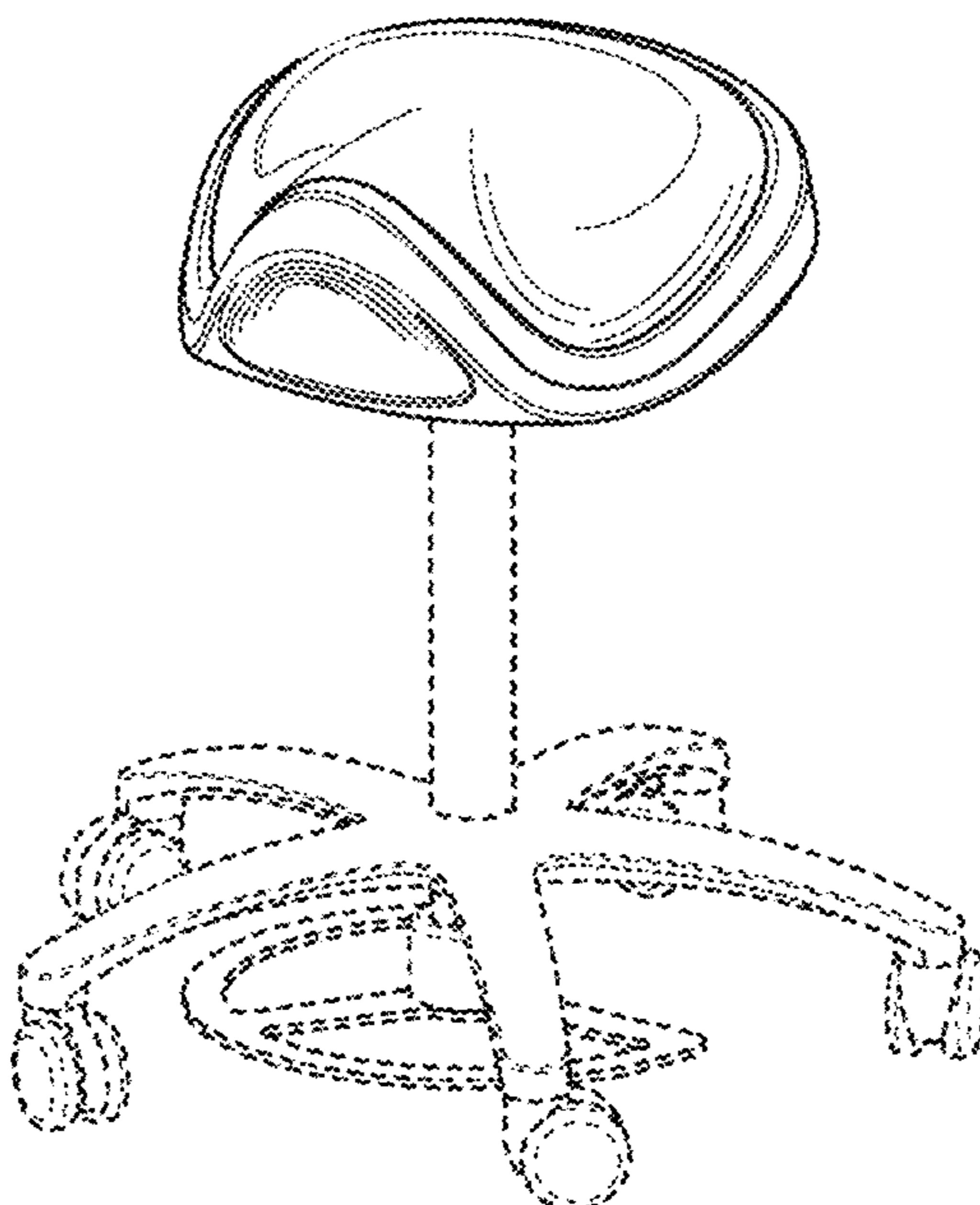
The broken lines represent portions of a seat and form no part of the claimed design.

(56) **References Cited**

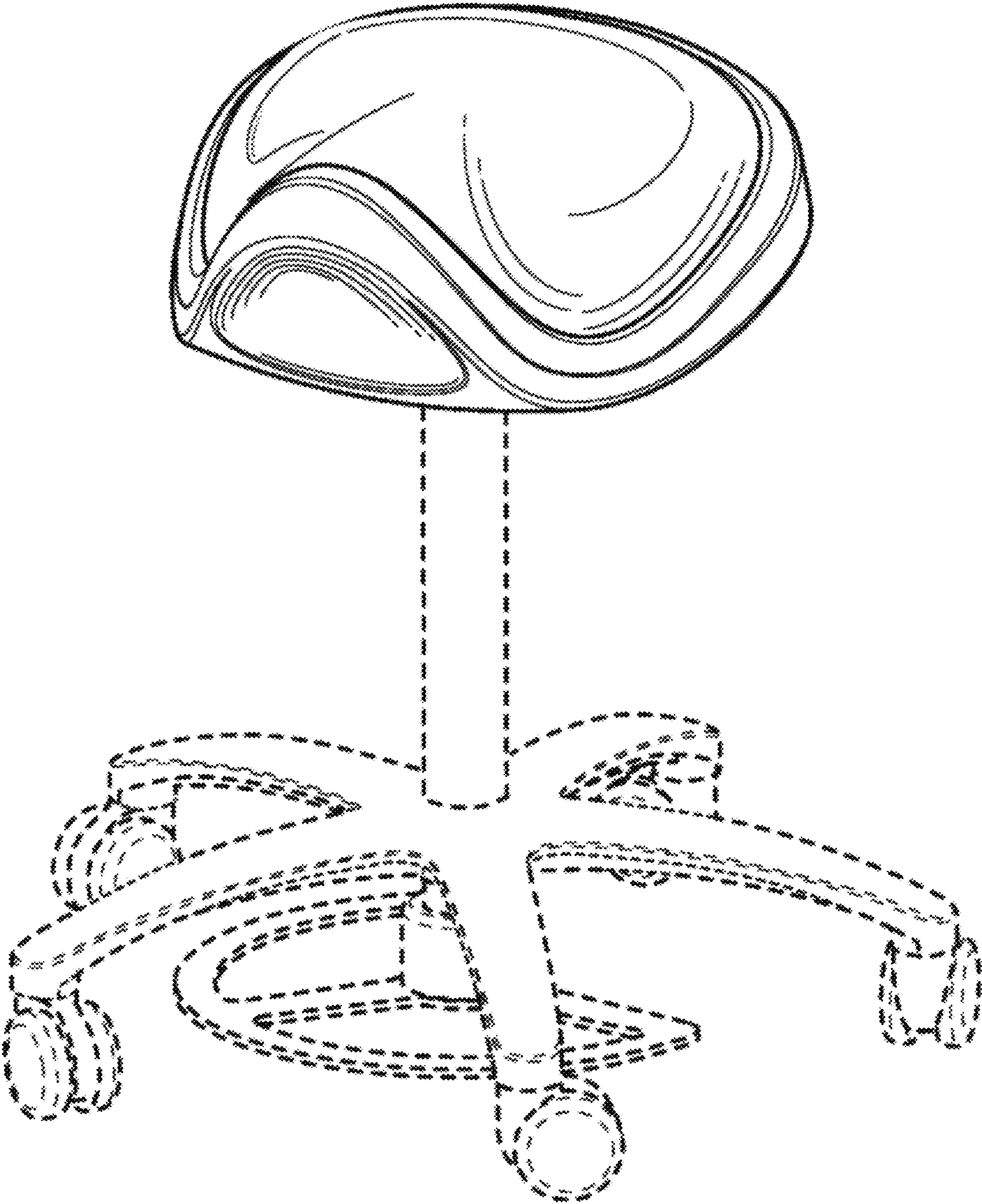
U.S. PATENT DOCUMENTS

D266,292 S * 9/1982 Leffler D6/352
5,048,894 A * 9/1991 Miyajima B60N 2/38
297/452.11
D358,039 S * 5/1995 Fornaro D6/334
D393,968 S * 5/1998 Penning D6/364

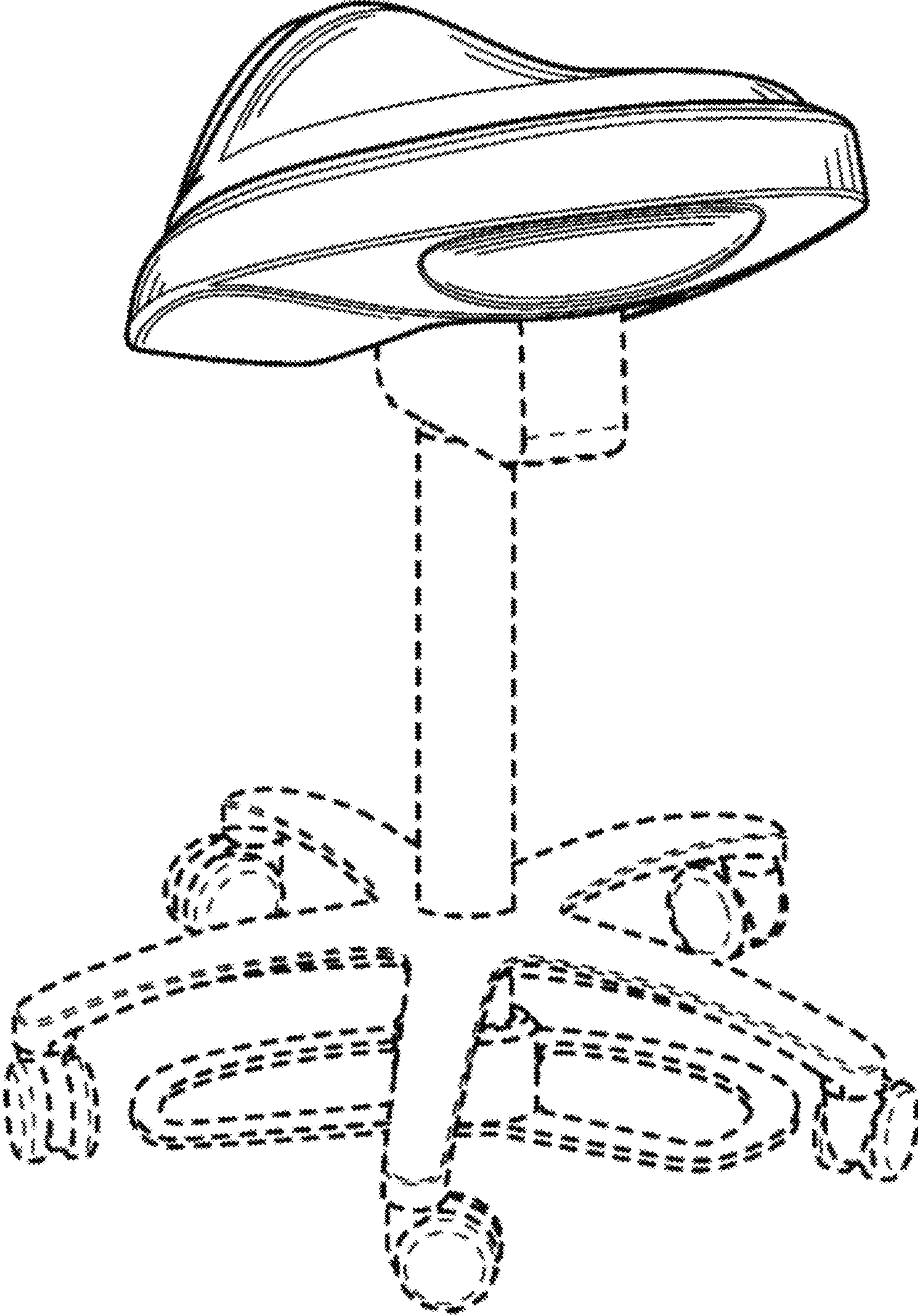
1 Claim, 8 Drawing Sheets



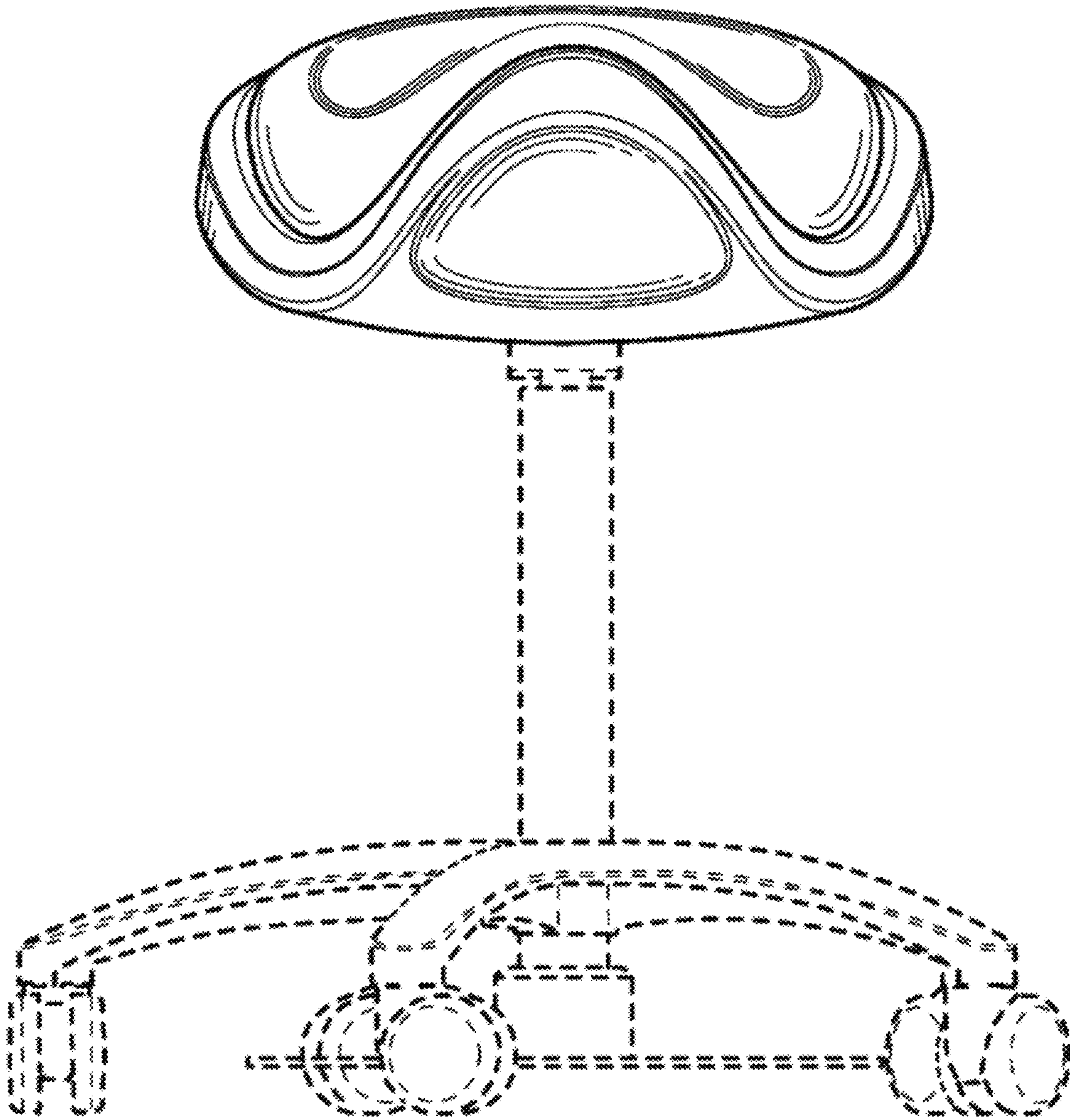
1.1



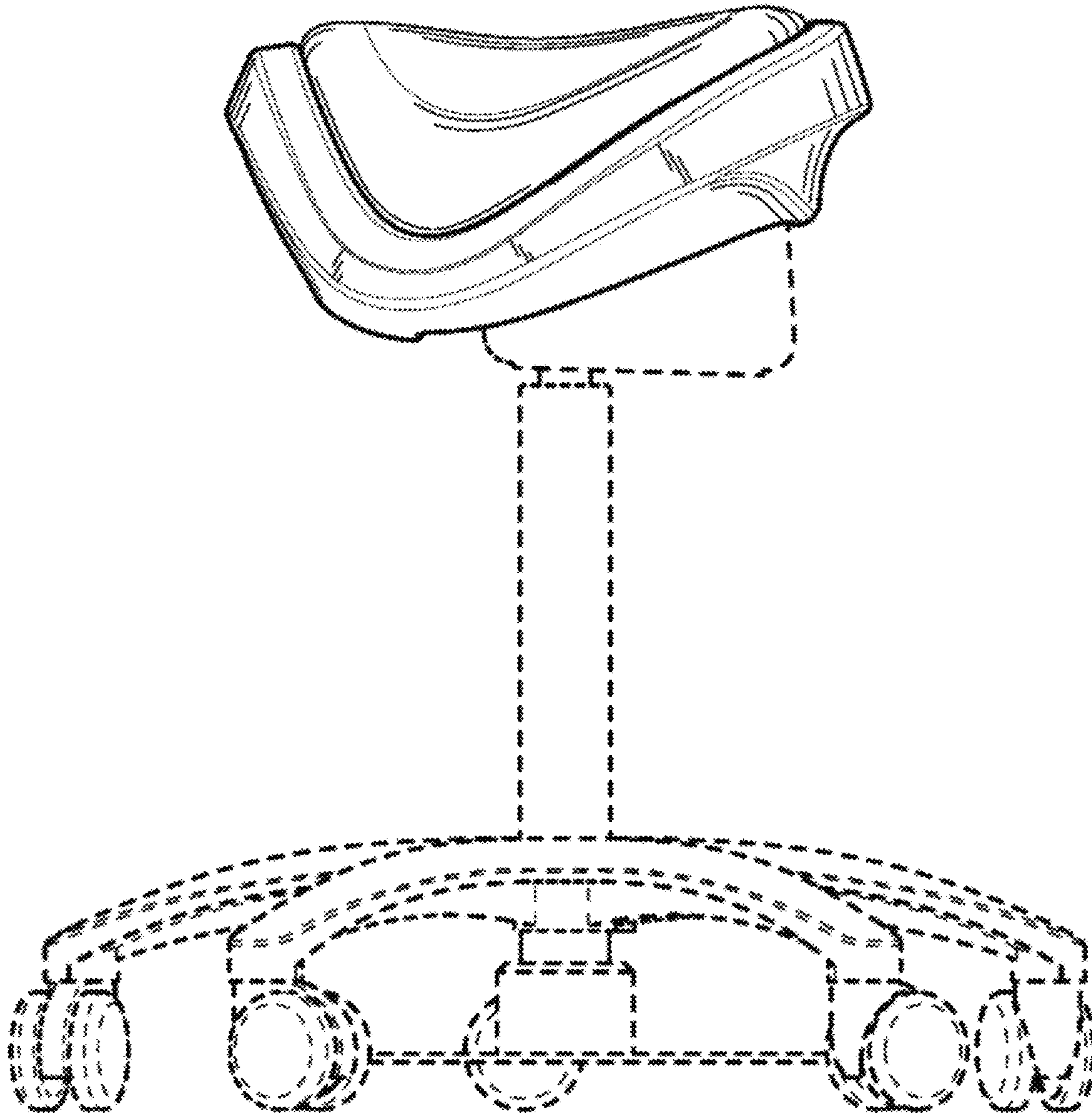
1.2



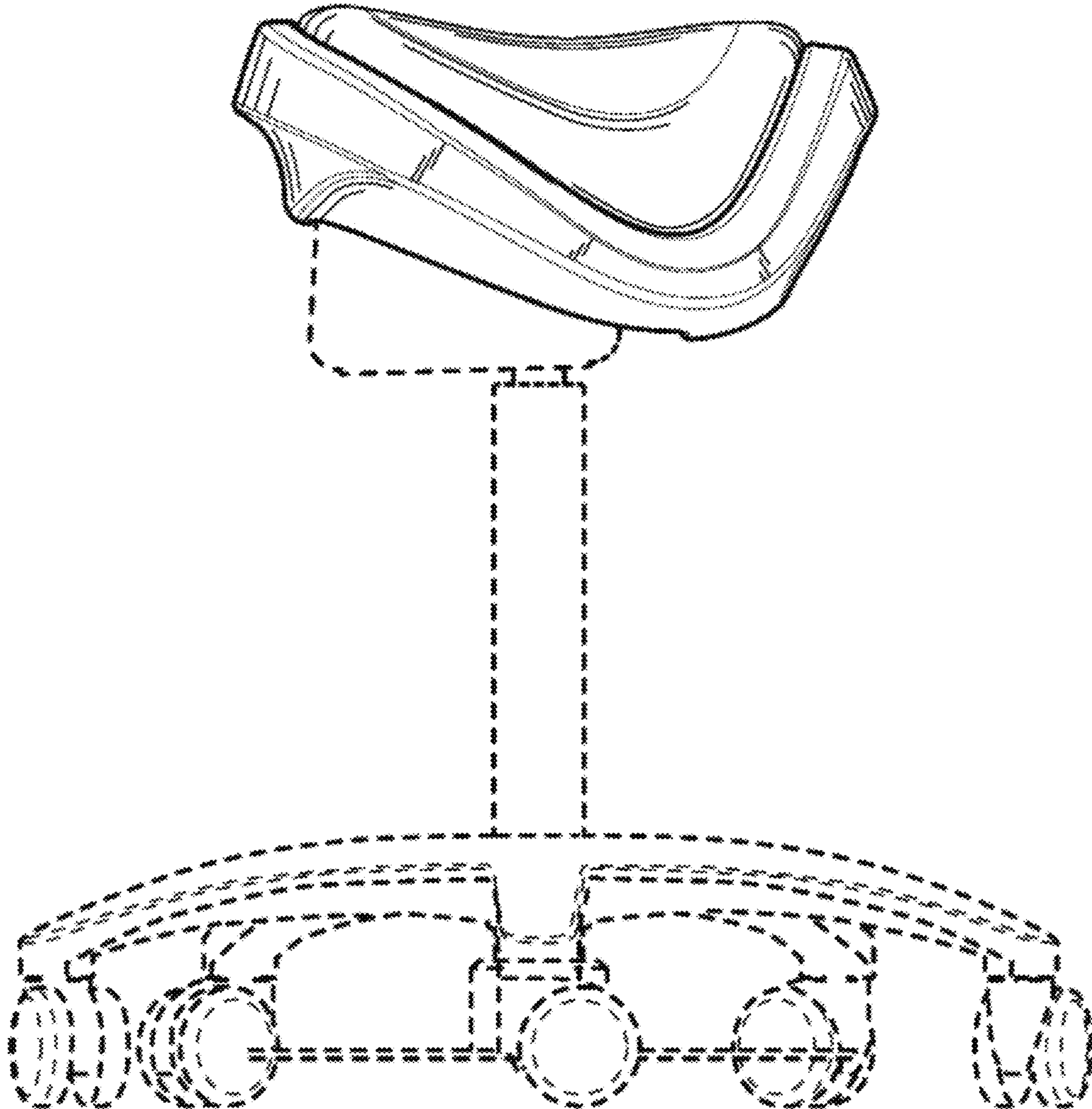
1.3



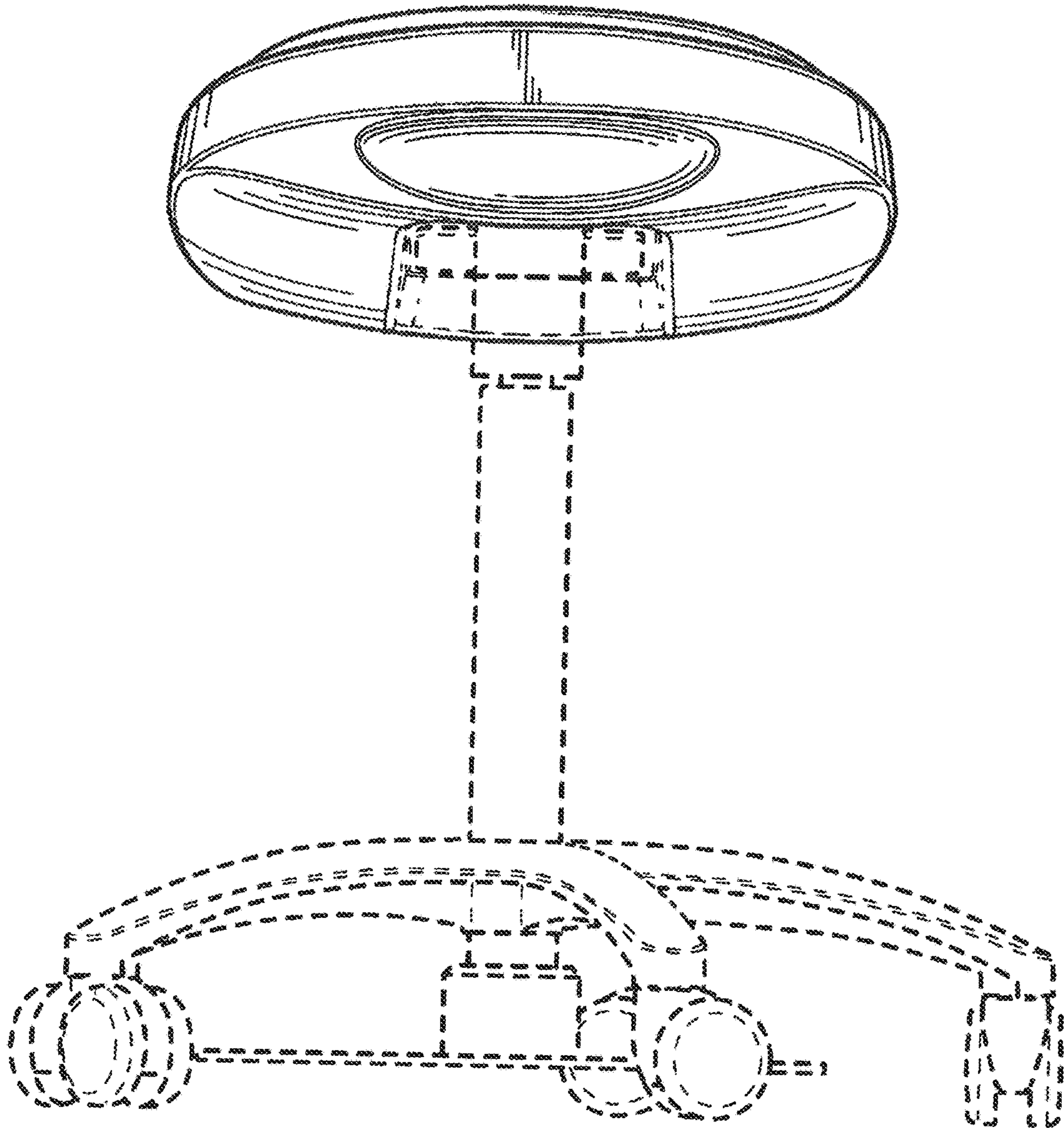
1.4



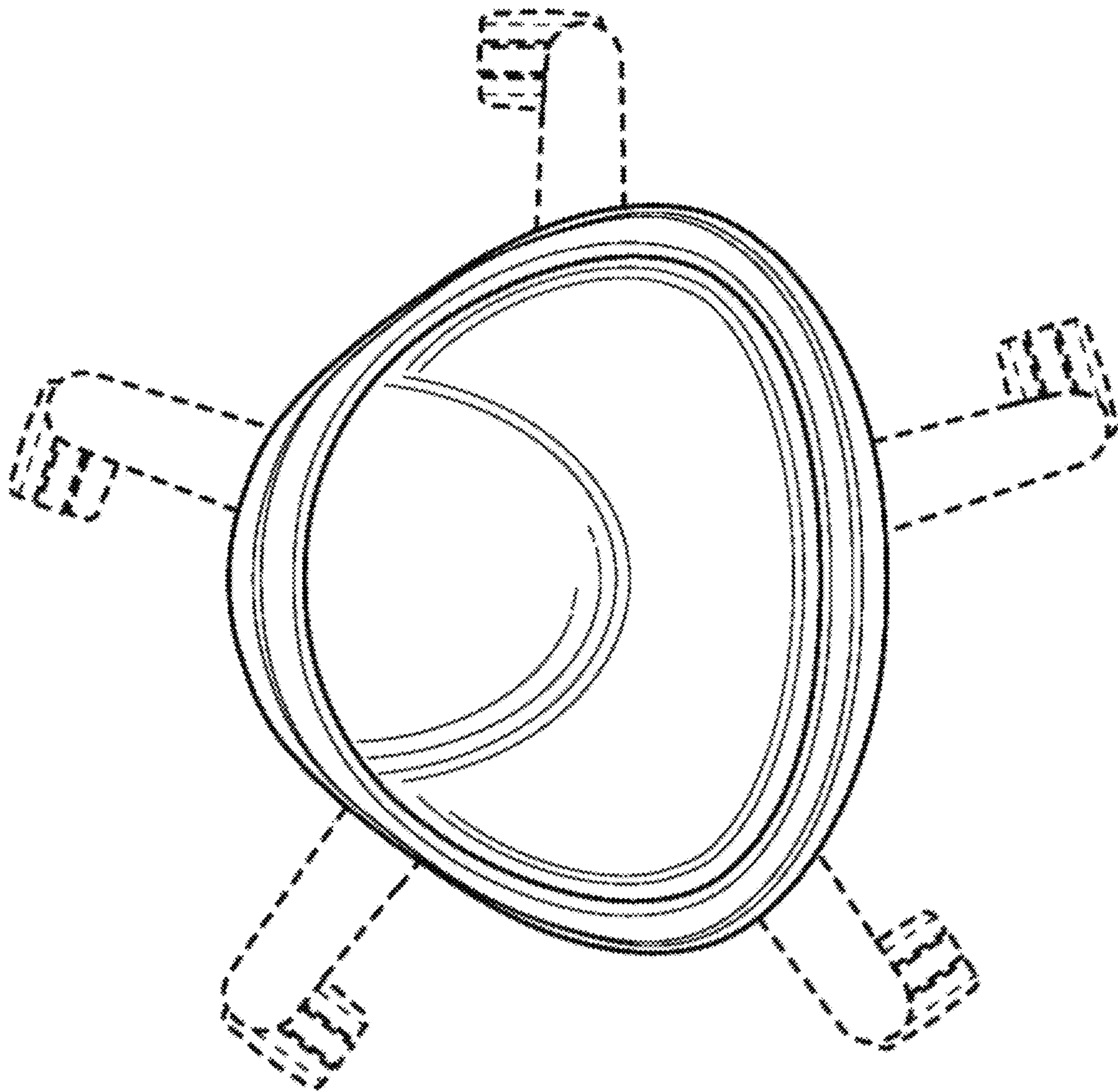
1.5



1.6



1.7



1.8

