



US00D859045S

(12) **United States Design Patent** (10) **Patent No.:** **US D859,045 S**  
**Dorigo** (45) **Date of Patent:** **\*\* Sep. 10, 2019**

(54) **CHAIR BASE**

(71) Applicant: **SITLAND S.P.A.**, Nanto (VI) (IT)

(72) Inventor: **Fiorenzo Dorigo**, Conegliano (IT)

(\*\*) Term: **15 Years**

(21) Appl. No.: **29/598,939**

(22) Filed: **Mar. 29, 2017**

(30) **Foreign Application Priority Data**

Oct. 24, 2016 (EM) ..... 003431824-0002

(51) **LOC (12) Cl.** ..... **06-06**

(52) **U.S. Cl.**  
USPC ..... **D6/708.23**

(58) **Field of Classification Search**  
USPC ..... D6/328, 334, 354, 355, 364, 366, 702,  
D6/708, 708.16, 708.17, 708.18, 708.23,  
D6/708.24, 708.25, 712; D21/662, 694,  
D21/695

CPC ..... A47C 1/03; A47C 1/024; A47C 1/032;  
A47C 3/00; A47C 3/026; A47C 3/18;  
A47C 7/14; A47C 7/44; A47C 7/004;  
A47B 2013/025; A61H 15/00; A61H  
2015/0014; B60N 2/90; B65G 57/00

See application file for complete search history.

(56) **References Cited**

U.S. PATENT DOCUMENTS

3,223,450	A *	12/1965	Pollock	.....	A47C 3/12	297/218.1
5,464,274	A *	11/1995	Golynsky	.....	A47C 3/026	297/302.4
5,906,343	A *	5/1999	Battey	.....	A47C 7/004	16/30
D549,014	S *	8/2007	Donati	.....	D6/708.23	
7,841,664	B2 *	11/2010	Holdredge	.....	A47C 1/032	297/300.1
D638,230	S *	5/2011	Roy	.....	D6/366	

D638,235	S *	5/2011	Roy	.....	D6/708.16	
D649,796	S *	12/2011	Lievore	.....	D6/366	
9,271,573	B2 *	3/2016	Su	.....	A47C 1/032	
9,596,941	B1 *	3/2017	Romero	.....	A47C 7/402	
D782,839	S *	4/2017	Fukasawa	.....	D6/366	
D782,855	S *	4/2017	Scagnellato	.....	D6/685	
9,706,853	B2 *	7/2017	Krupiczewicz	.....	A47C 31/02	
9,861,203	B2 *	1/2018	Alvarez	.....	A47C 7/20	
9,913,539	B2 *	3/2018	Potrykus	.....	A47C 31/023	
9,921,726	B1 *	3/2018	Sculley	.....	H04W 4/04	
9,924,798	B2 *	3/2018	Broerman	.....	A47C 9/002	
9,986,847	B2 *	6/2018	Tanaka	.....	A47C 31/11	
10,070,728	B2 *	9/2018	Piretti	.....	A47C 7/14	
D833,767	S *	11/2018	Wilkinson	.....	D6/366	
2009/0261644	A1 *	10/2009	Piretti	.....	A47C 7/282	297/344.12
2016/0296026	A1 *	10/2016	Ludwig	.....	A47C 7/445	
2016/0324320	A1 *	11/2016	Battey	.....	A47C 1/032	
2017/0121131	A1 *	5/2017	Hutchinson, Jr.	.....	A47C 7/004	

(Continued)

*Primary Examiner* — Kevin K Rudzinski  
*Assistant Examiner* — Paul D Bohannon  
(74) *Attorney, Agent, or Firm* — Themis Law

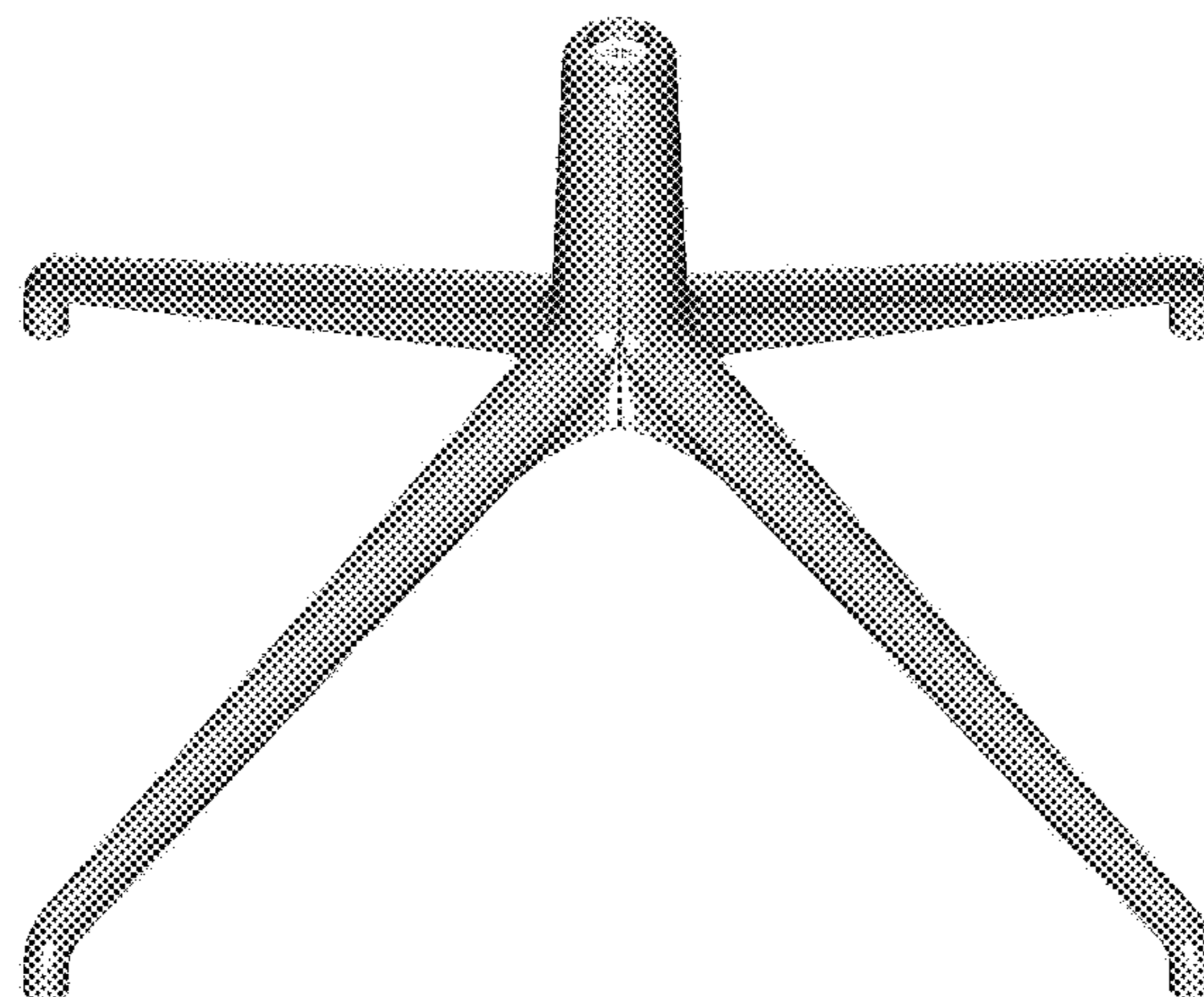
(57) **CLAIM**

The ornamental design for a chair base, as shown and described.

**DESCRIPTION**

FIG. 1 is a front perspective view of a chair base showing my new design;  
FIG. 2 is a front elevational view thereof, the rear, right and left elevational views being the same;  
FIG. 3 is a front-right elevational view thereof;  
FIG. 4 is a top plan view thereof; and,  
FIG. 5 is a bottom plan view thereof.  
The elements illustrated in long and short broken lines shown in the drawings illustrate portions of the chair base and form no part of the claimed design.

**1 Claim, 5 Drawing Sheets**



(56)

**References Cited**

U.S. PATENT DOCUMENTS

2017/0273461 A1\* 9/2017 Dennehy ..... A47C 7/44  
2017/0280888 A1\* 10/2017 Krupiczewicz ..... A47C 31/02  
2018/0118071 A1\* 5/2018 Sugiyama ..... B60N 2/90  
2018/0125240 A1\* 5/2018 Alvarez ..... A47C 7/20  
2018/0242743 A1\* 8/2018 Mezzera ..... A47C 1/03255  
2018/0249835 A1\* 9/2018 Loew ..... A47C 3/22

\* cited by examiner

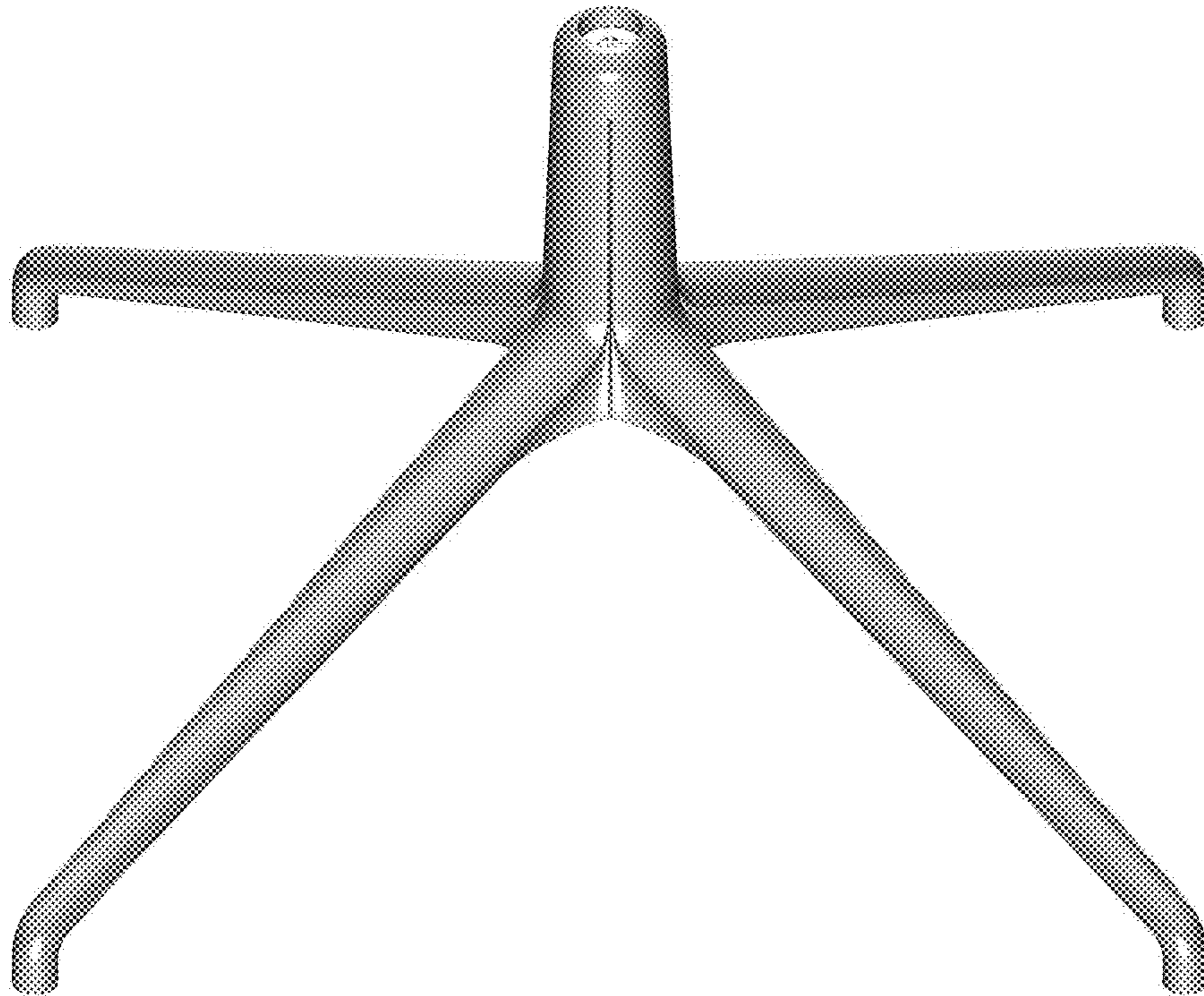


FIG. 1

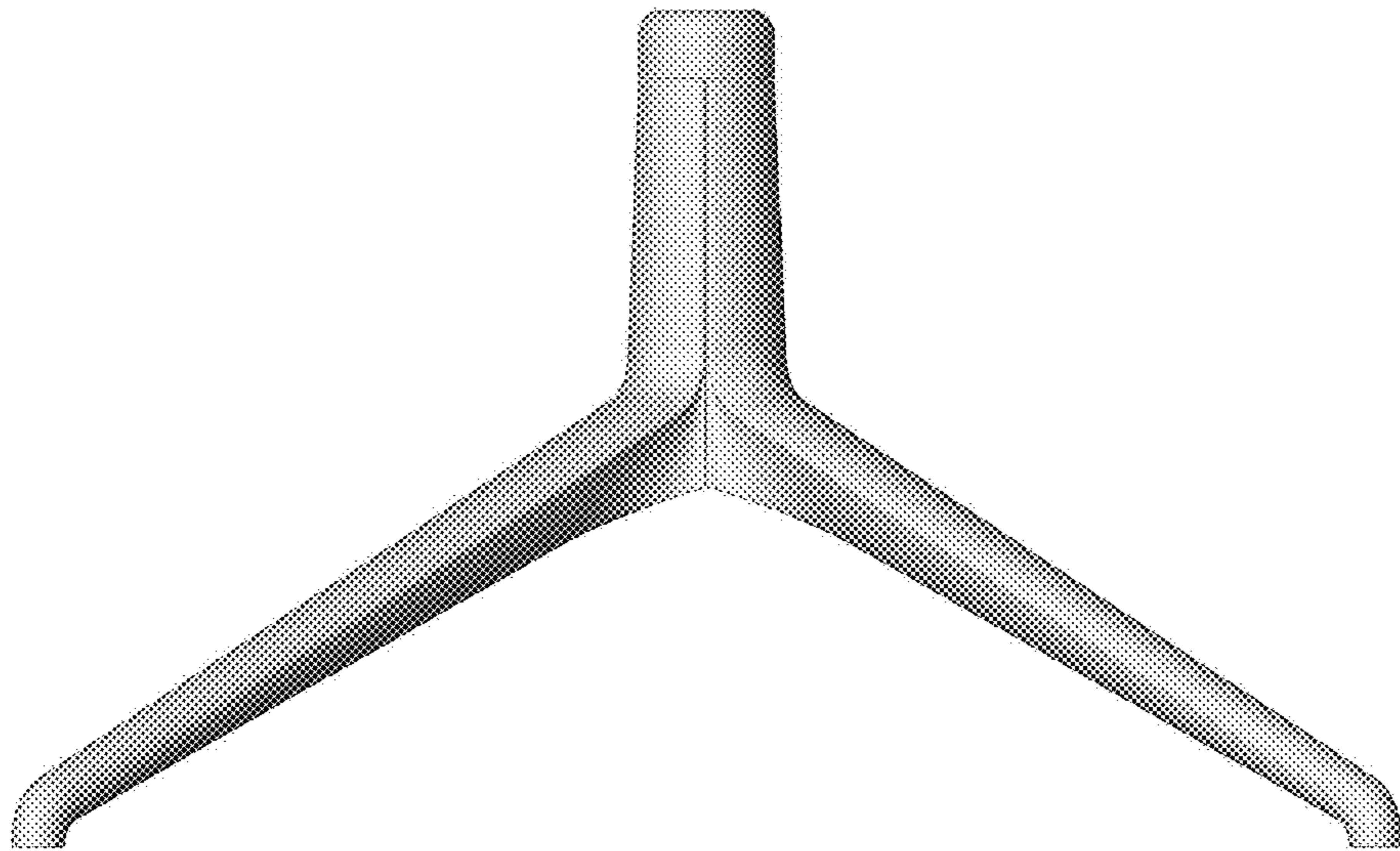


FIG. 2

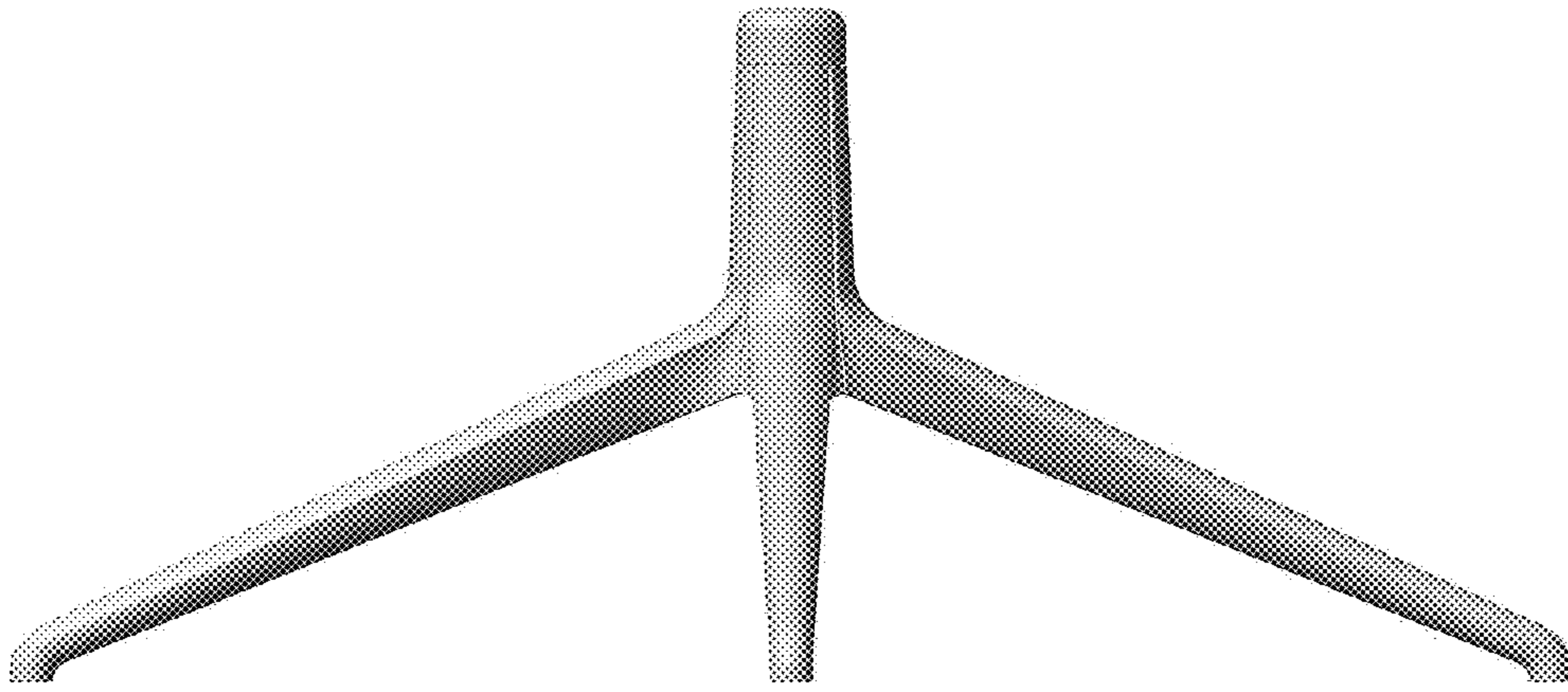


FIG. 3

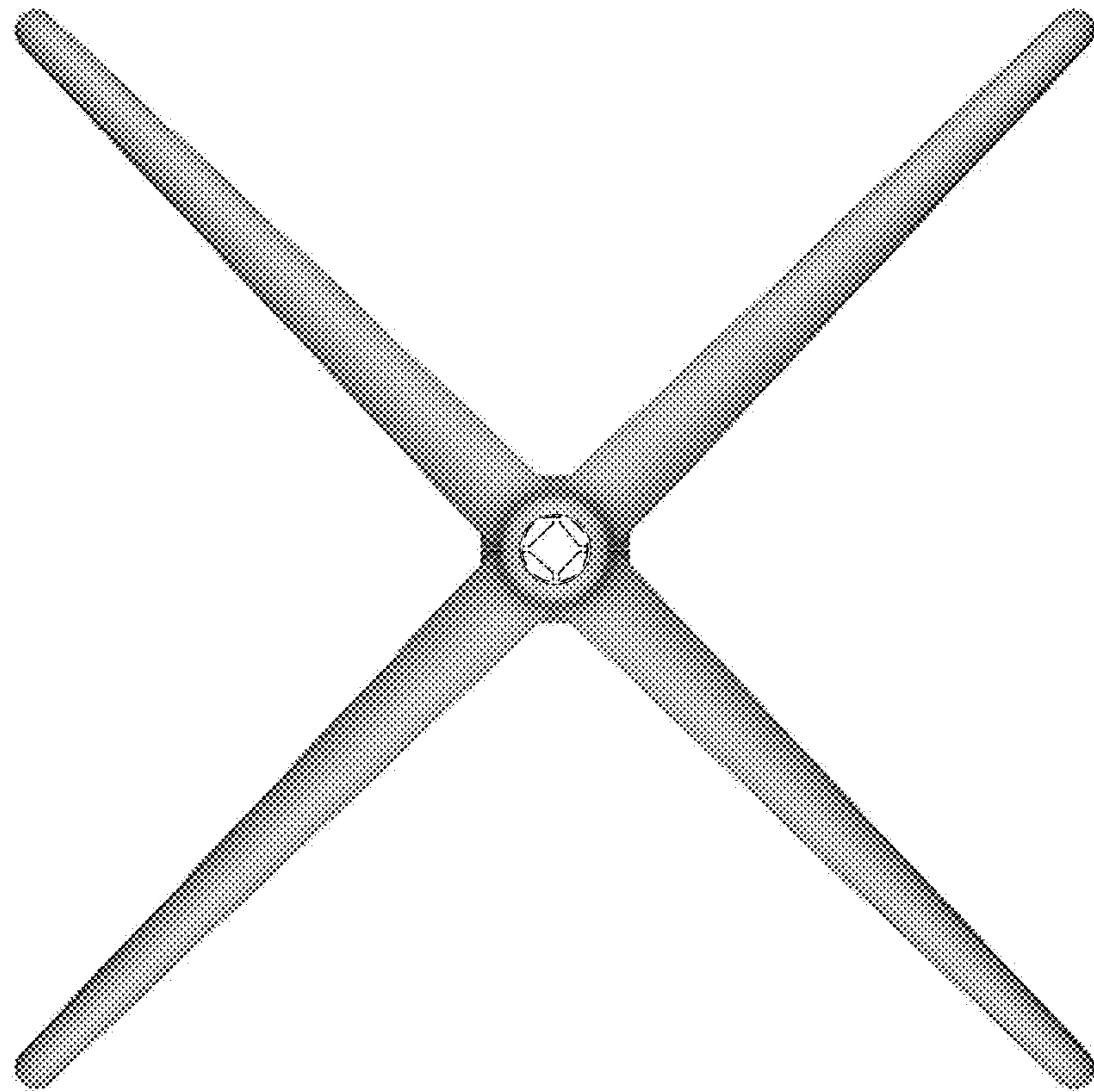


FIG. 4

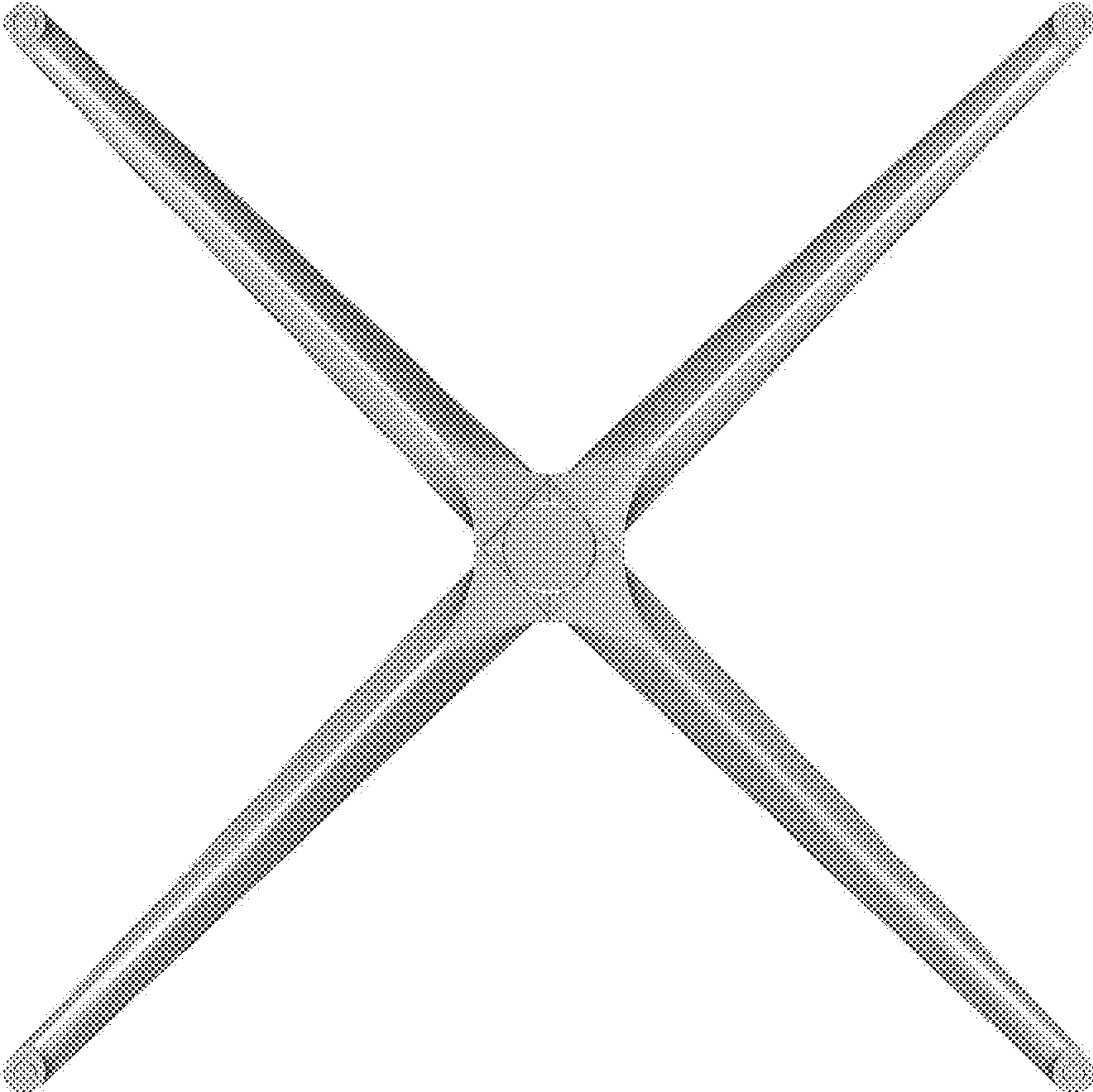


FIG 5