



US00D859043S

(12) **United States Design Patent** (10) **Patent No.:** **US D859,043 S**  
**Maager** (45) **Date of Patent:** **\*\* Sep. 10, 2019**

(54) **FURNITURE FITTING PART**  
(71) Applicant: **JULIUS BLUM GMBH**, Höchst (AT)  
(72) Inventor: **Frank Maager**, Sulzburg (DE)  
(73) Assignee: **Julius Blum GmbH**, Hoechst (AT)  
(\*\*) Term: **15 Years**  
(21) Appl. No.: **35/504,920**  
(22) Filed: **Nov. 7, 2017**  
(80) **Hague Agreement Data**  
Int. Filing Date: **Nov. 7, 2017**  
Int. Reg. No.: **DM/098544**  
Int. Reg. Date: **Nov. 7, 2017**  
Int. Reg. Pub. Date: **May 11, 2018**

(30) **Foreign Application Priority Data**  
May 9, 2017 (EM) ..... 003991405-0002  
May 9, 2017 (EM) ..... 003991405-0004  
May 9, 2017 (EM) ..... 003991405-0008  
May 9, 2017 (EM) ..... 003991405-0010  
(51) **LOC (12) Cl.** ..... **06-06**  
(52) **U.S. Cl.**  
USPC ..... **D6/702**  
(58) **Field of Classification Search**  
USPC ..... D6/702, 708, 709, 716.2, 705, 705.4,  
D6/706; D8/323  
CPC ..... A47B 13/00; A47B 95/00; A47B 96/00;  
A47B 96/06; A47B 96/14; A47B 96/20;  
A47B 96/201; A47B 2096/203; A47B  
97/00; A47B 2220/00; A47B 2220/0061  
See application file for complete search history.

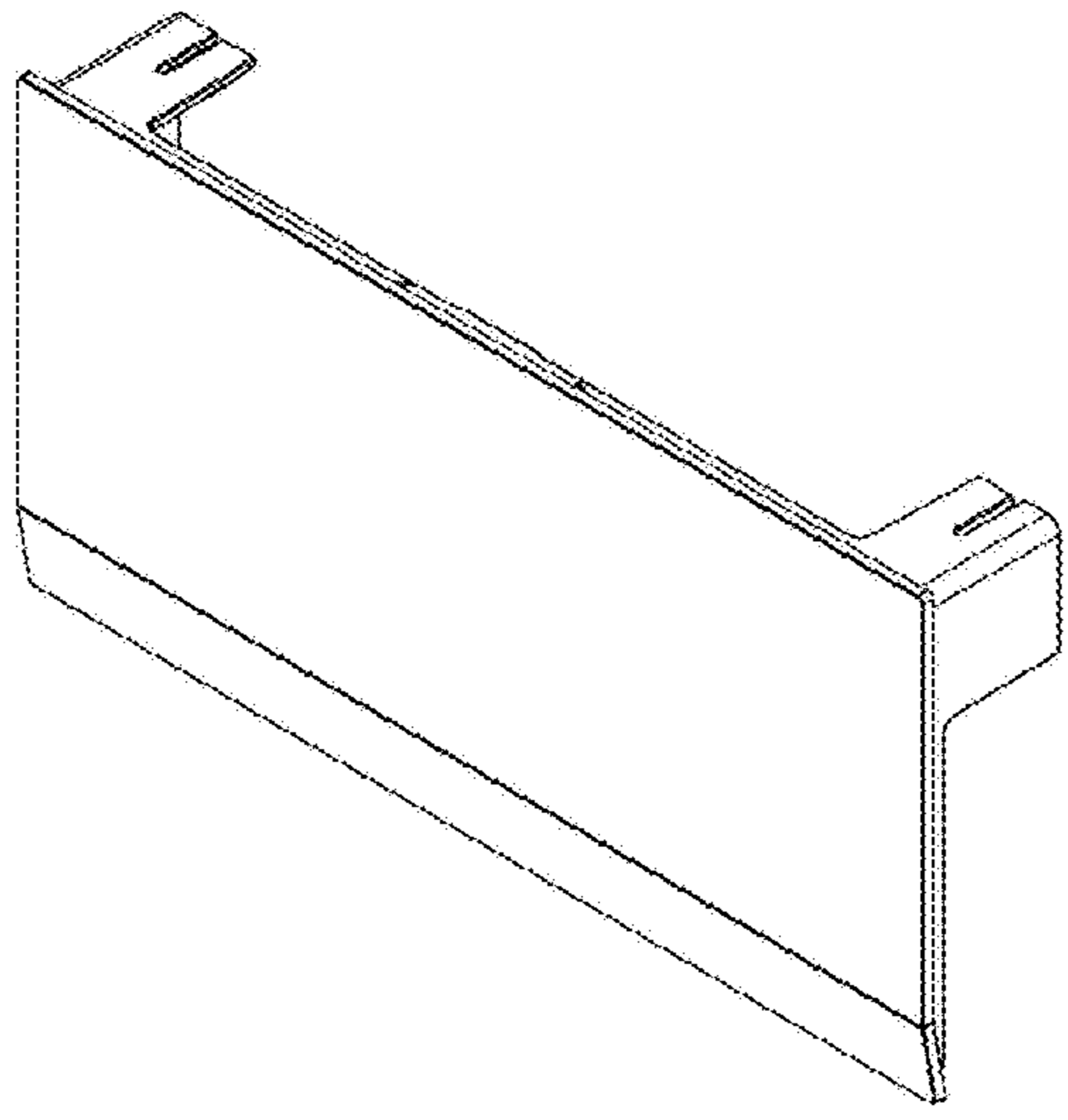
(56) **References Cited**  
U.S. PATENT DOCUMENTS  
RE5,212 E \* 12/1872 Randall et al. .... D6/702  
5,384,998 A \* 1/1995 Tanaka ..... A47B 83/001  
29/897.32  
D439,084 S \* 3/2001 Schacht ..... D6/332  
D543,737 S \* 6/2007 Held ..... A47B 13/16  
D6/716.2  
D566,434 S \* 4/2008 Puksta ..... A47B 96/06  
D6/708  
D582,181 S \* 12/2008 Gasser ..... A47B 83/001  
D6/702  
D590,190 S \* 4/2009 Held ..... D6/716.2  
D633,735 S \* 3/2011 Held ..... A47B 88/427  
D6/716.2  
D702,466 S \* 4/2014 Kim ..... D6/702  
9,622,571 B1 \* 4/2017 Wassel ..... A47B 13/16  
D789,719 S \* 6/2017 Van Hoecke ..... D6/705.4  
2013/0249369 A1 \* 9/2013 Gasser ..... A47B 88/427  
312/334.32  
2019/0053623 A1 \* 2/2019 Sisto ..... A47B 96/06  
\* cited by examiner

*Primary Examiner* — Mary Ann Calabrese  
(74) *Attorney, Agent, or Firm* — Wenderoth, Lind & Ponack, L.L.P.

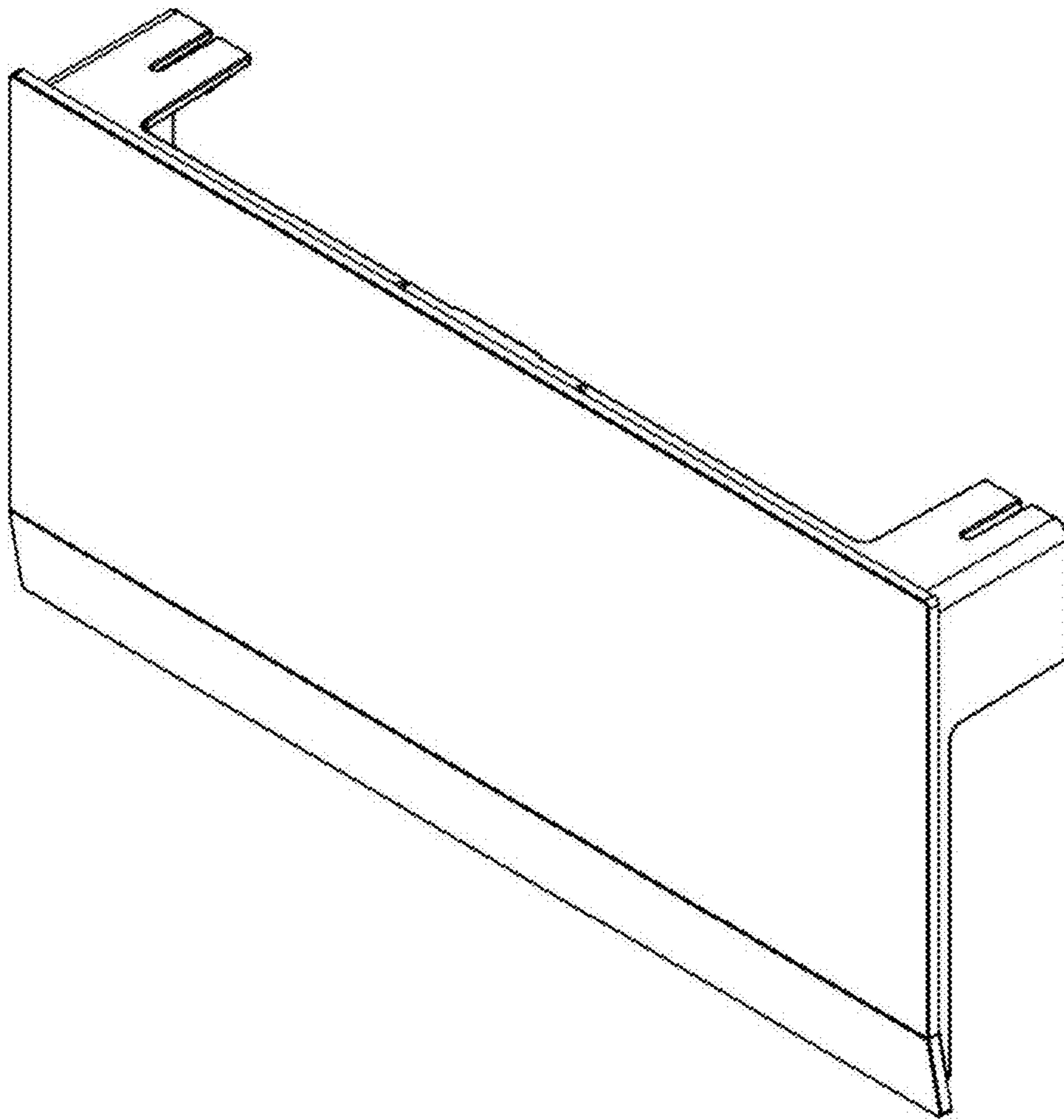
(57) **CLAIM**  
The ornamental design for a furniture fitting part, as shown and described.

**DESCRIPTION**  
1. Furniture fitting part  
1.1 is a front perspective view.  
1.2 is a front view.  
1.3 is a right side view.  
1.4 is a left side view.  
1.5 is a rear view.  
1.6 is a top view.  
1.7 is a bottom view.

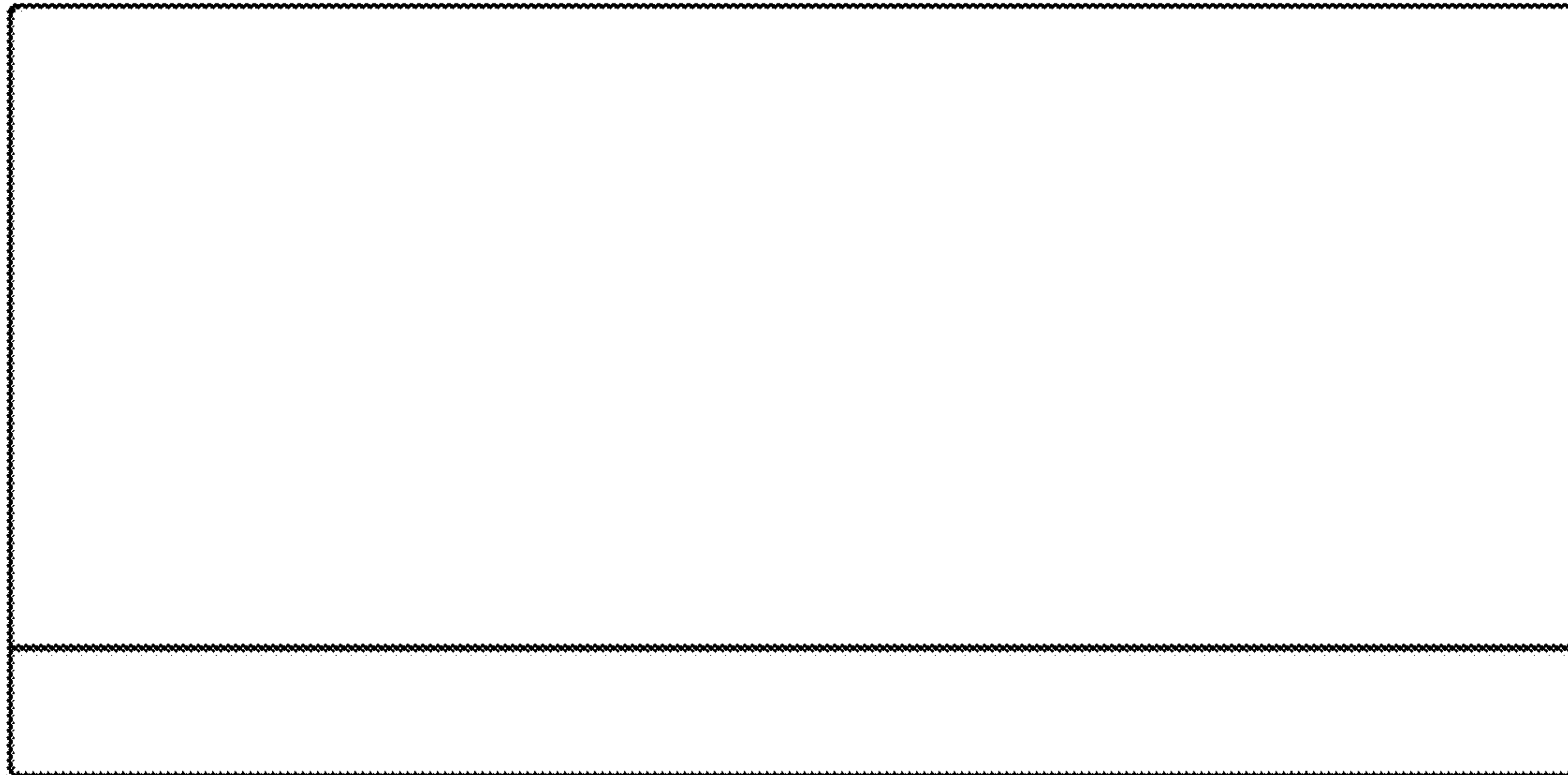
**1 Claim, 7 Drawing Sheets**



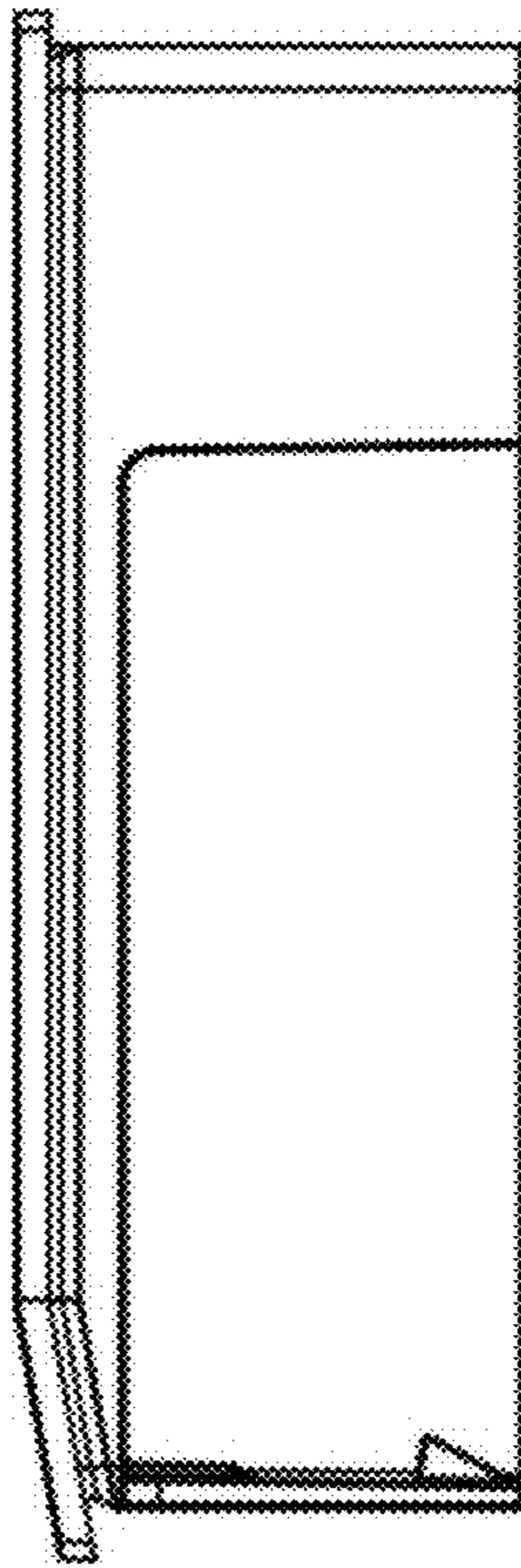
1.1



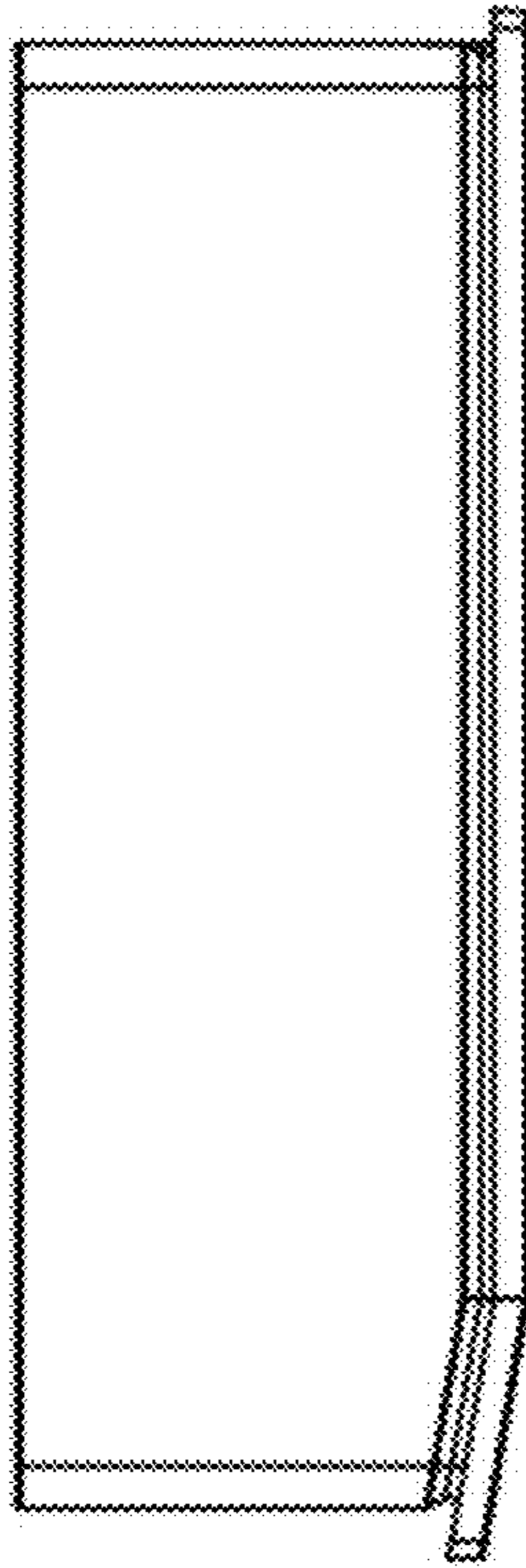
1.2



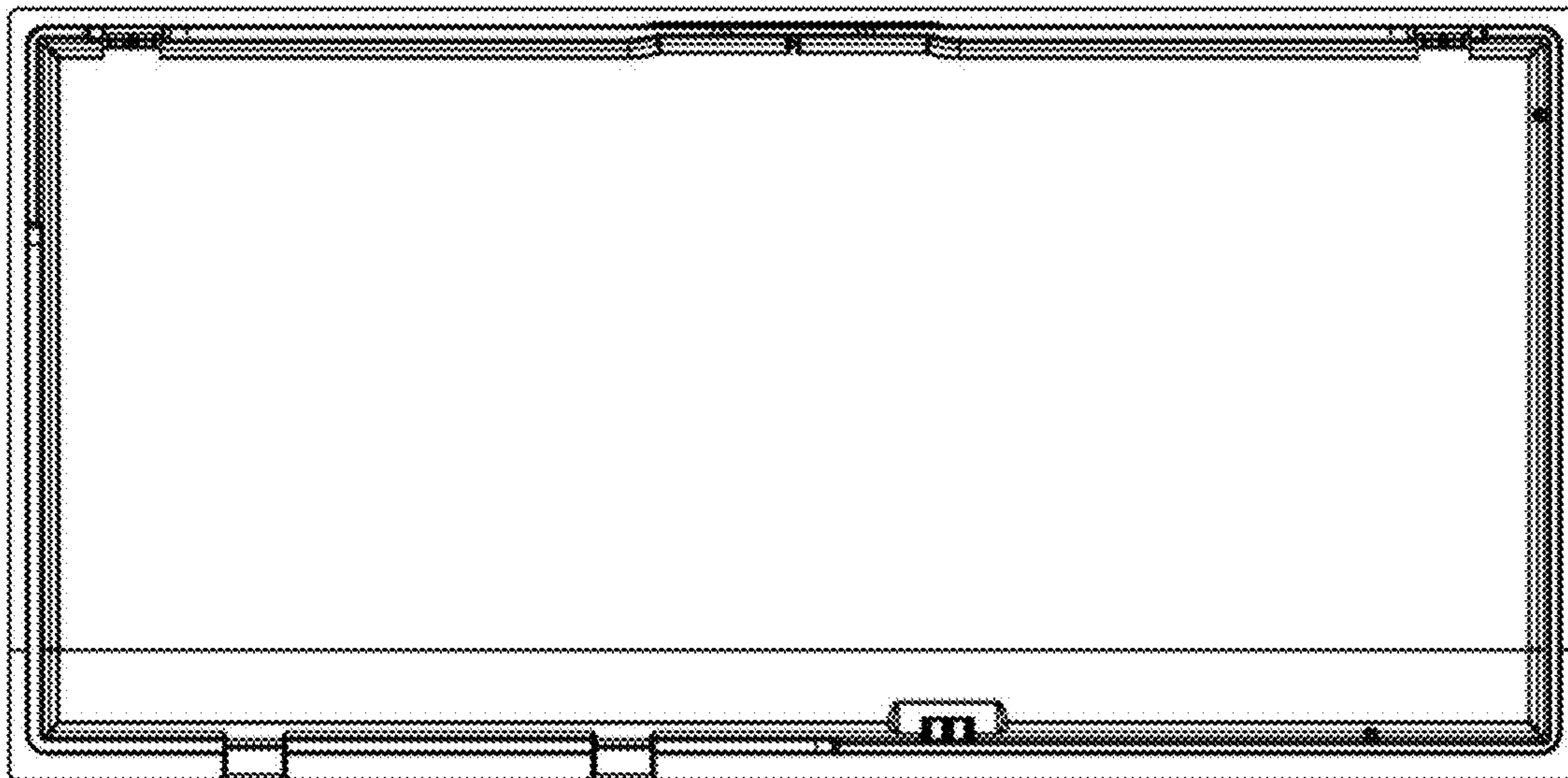
1.3



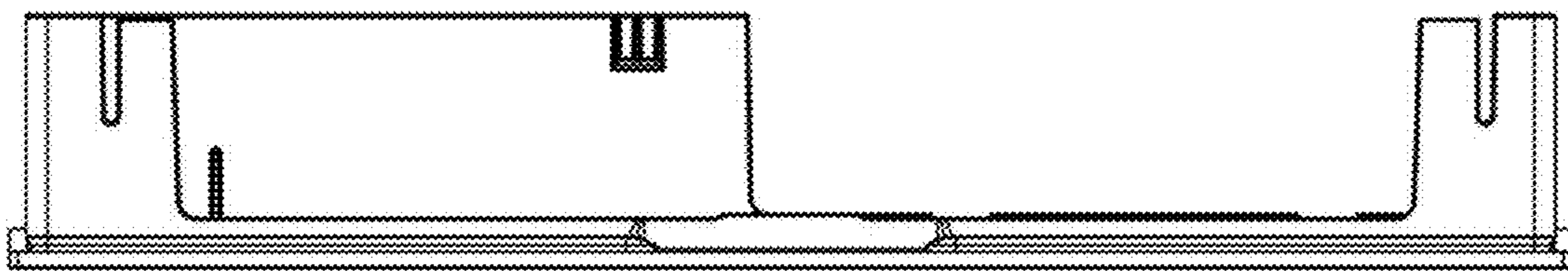
1.4



1.5



1.6



1.7

