



US00D859040S

(12) **United States Design Patent** (10) **Patent No.:** **US D859,040 S**
Williamson (45) **Date of Patent:** **** Sep. 10, 2019**

(54) **FISH CLEANING TABLE**
(71) Applicant: **Brian Williamson**, Mobile, AL (US)
(72) Inventor: **Brian Williamson**, Mobile, AL (US)
(**) Term: **15 Years**
(21) Appl. No.: **29/653,086**
(22) Filed: **Jun. 12, 2018**
(51) **LOC (12) Cl.** **06-03**
(52) **U.S. Cl.**
USPC **D6/698; D23/270**
(58) **Field of Classification Search**
USPC D6/663, 664, 665, 668, 668.1, 668.2,
D6/672, 698, 699, 699.1, 699.2, 699.3,
D6/699.4, 699.5, 705; D7/339, 340, 346,
D7/347; D23/270, 271, 303; D34/19
CPC A47F 10/06; A47F 2010/065; A47J 43/00;
F25D 11/00; F25D 2400/12; F25D
2400/32; G06Q 20/12; G06Q 30/0635;
G06Q 50/12; B60P 3/0257; H04W 84/12;
A22C 25/00; A22C 25/06; A47B 37/00;
A01K 97/22; E04H 15/00
See application file for complete search history.

(56) **References Cited**
U.S. PATENT DOCUMENTS
3,713,188 A * 1/1973 Holladay A22C 25/06
452/196
3,908,231 A * 9/1975 Price A22C 25/06
269/100
5,376,043 A * 12/1994 Carter A22C 25/06
452/195
5,474,494 A * 12/1995 Sims A22C 25/06
269/13
7,040,977 B1 * 5/2006 Kline A22C 25/025
452/195
7,219,608 B2 * 5/2007 Sung A47B 37/00
108/50.11

7,401,574 B1 * 7/2008 Sampson A22C 25/06
119/51.01
2003/0096569 A1 * 5/2003 Britton A22C 25/06
452/194
2004/0094071 A1 * 5/2004 Goeller A01K 97/10
108/42

(Continued)

OTHER PUBLICATIONS

Magma, posted at Amazon.com, posted on Nov. 7, 2015, site visited Apr. 24, 2019. online, available from internet: <https://www.amazon.com/Magma-Products-T10-449B-HDP-Tournament-Cleaning/dp/B0108L28W8> (Year: 2015).*

(Continued)

Primary Examiner — Mary Ann Calabrese
Assistant Examiner — Catherine Ho
(74) *Attorney, Agent, or Firm* — AdamsIP, LLC; Stephen Thompson; J. Hunter Adams

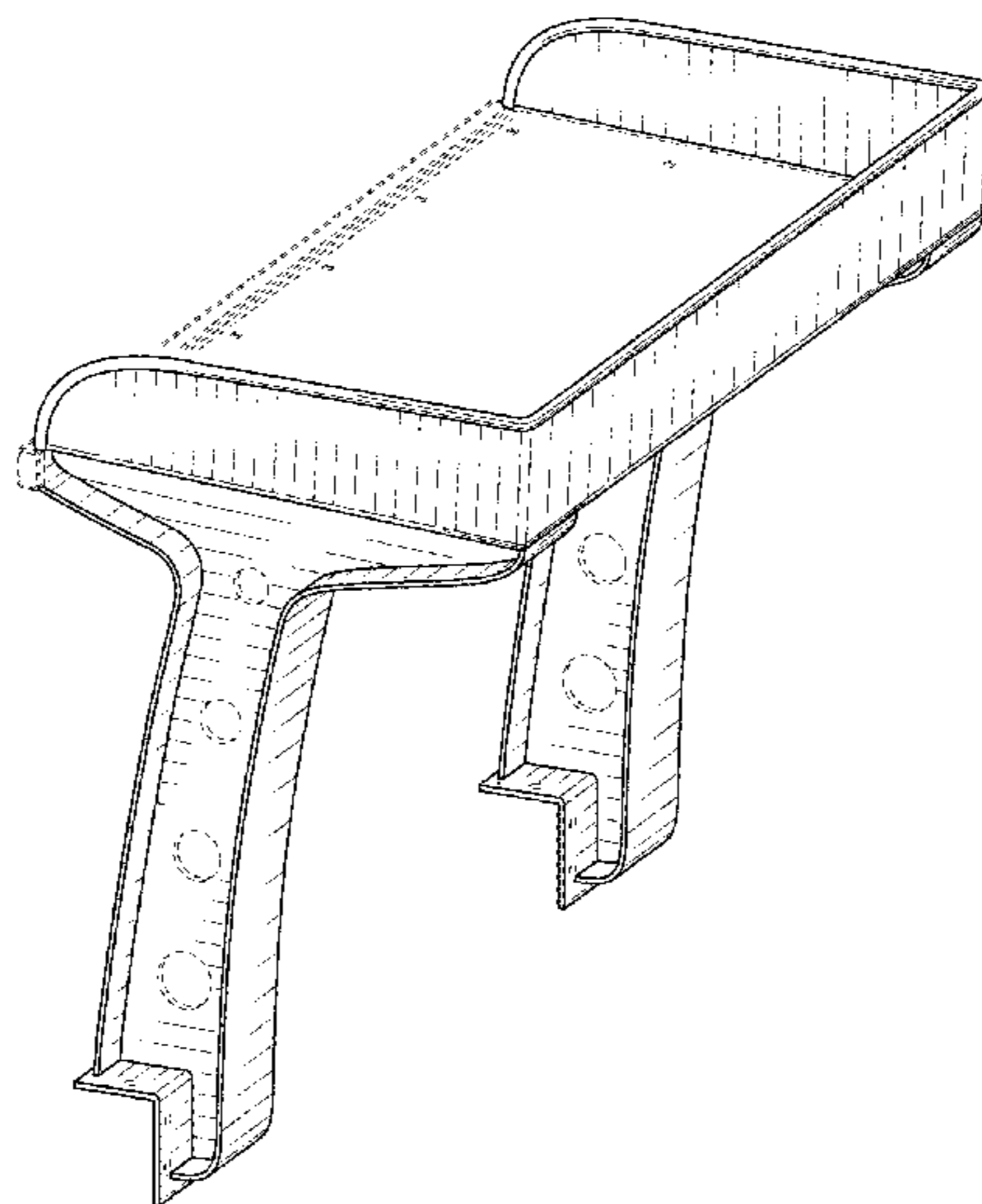
(57) **CLAIM**

The ornamental design for a fish cleaning table, as shown and described.

DESCRIPTION

FIG. 1 is a perspective view of a fish cleaning table shown in an environment of use, showing my new design; FIG. 2 is a perspective view of a fish cleaning table, isolated for clarity of illustration; FIG. 3 is another perspective view thereof; FIG. 4 is a front elevation view thereof; FIG. 5 is a rear elevation view thereof; FIG. 6 is a top plan view thereof; FIG. 7 is a bottom plan view thereof; FIG. 8 is a left side elevation view thereof; and, FIG. 9 is a right side elevation view thereof. The broken line portion of the figure drawings is included to show portions of the article and environment that form no part of the claimed design.

1 Claim, 8 Drawing Sheets



(56)

References Cited

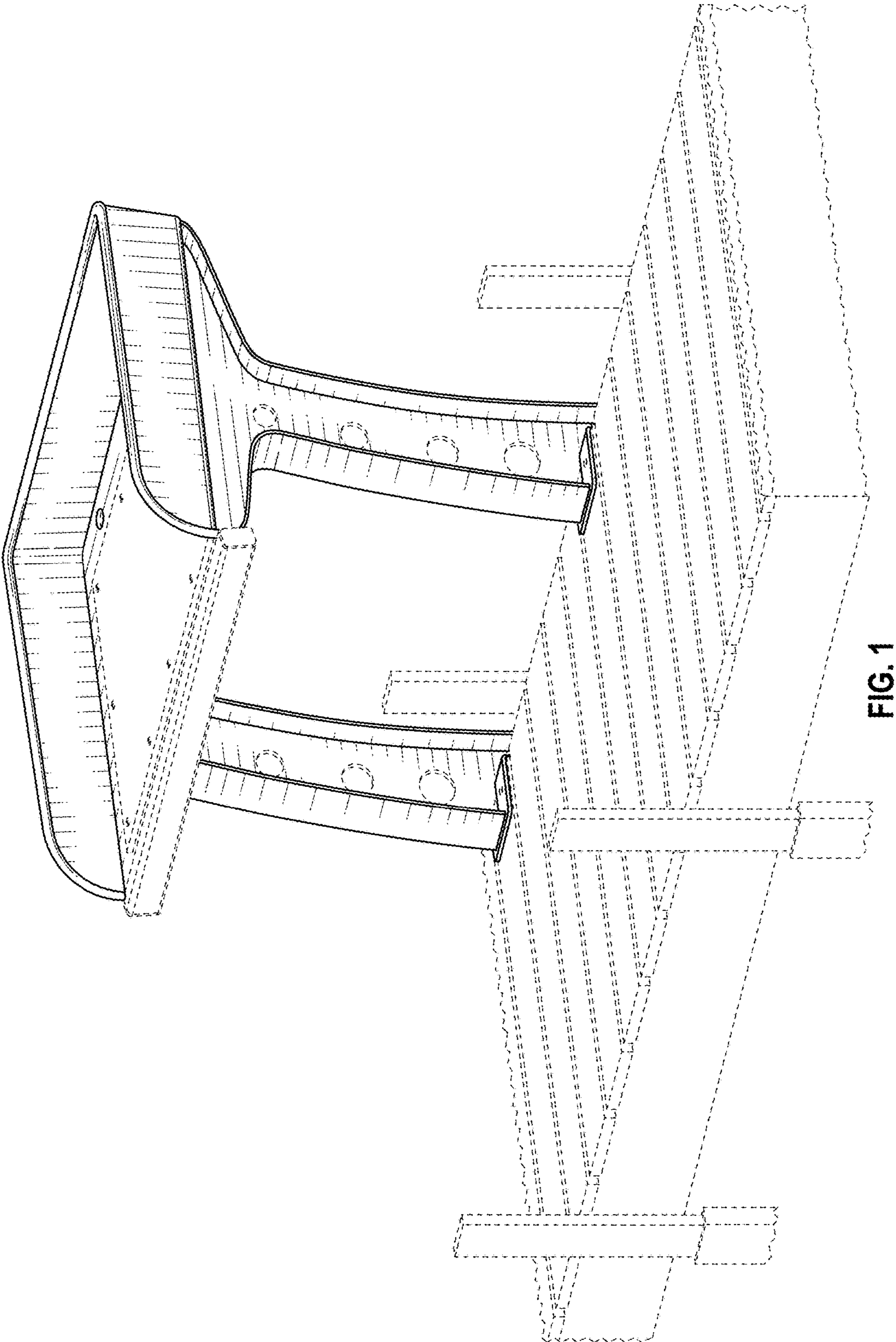
U.S. PATENT DOCUMENTS

2007/0178820 A1* 8/2007 Tylman A22C 25/06
452/194
2011/0048288 A1* 3/2011 Sheldon A22C 25/06
108/25
2012/0210913 A1* 8/2012 Thornley A22C 25/06
108/24
2015/0313201 A1* 11/2015 Carnevali H01F 7/0252
43/54.1

OTHER PUBLICATIONS

Greco, posted at Amazon.com, posted on Oct. 25, 2016, site visited
Apr. 24, 2019. online, available from internet: <https://www.amazon.com/Petersen-Metals-Fish-Cleaning-Table/dp/B01IBXG20Y> (Year:
2016).*

* cited by examiner



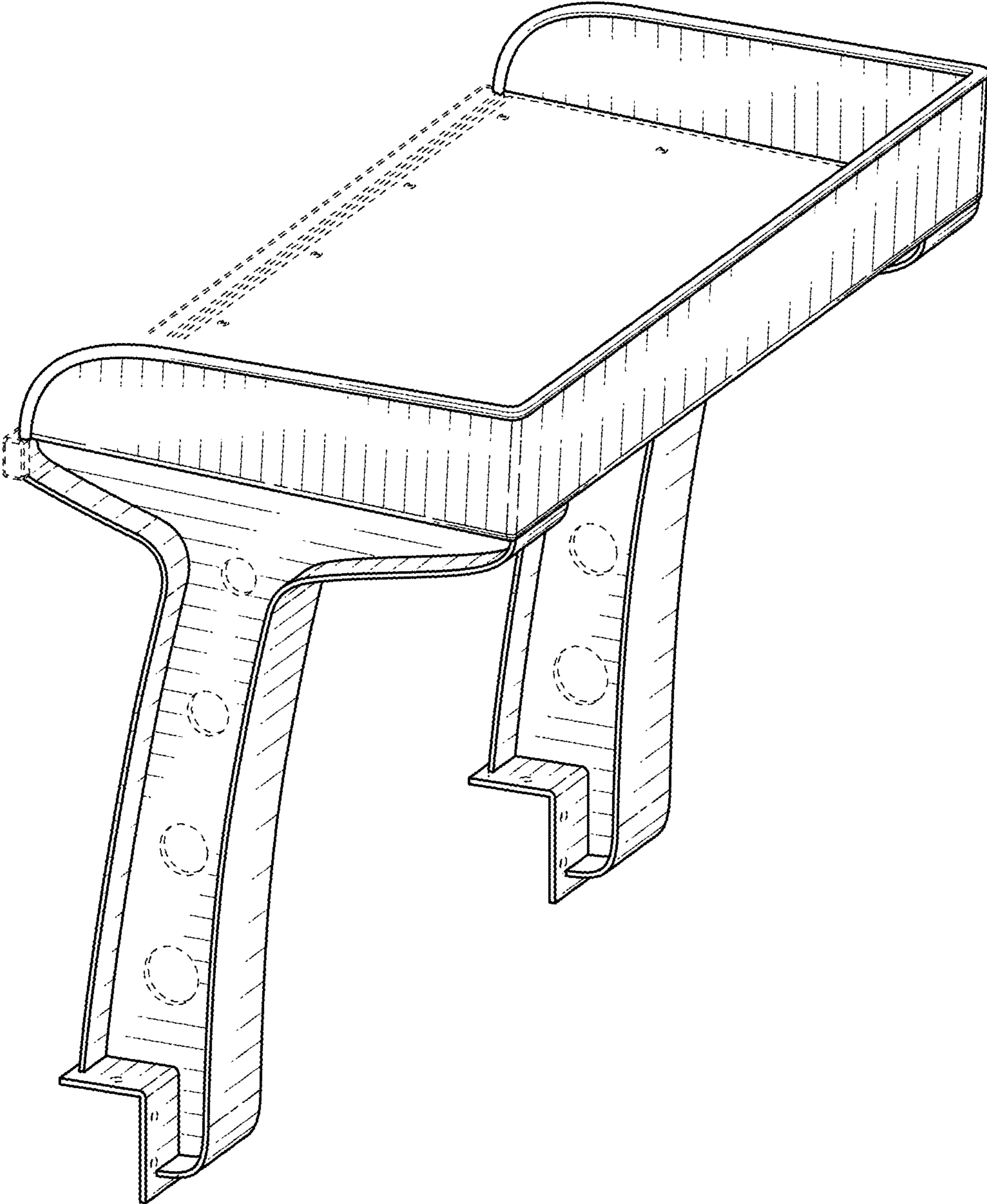


FIG. 2

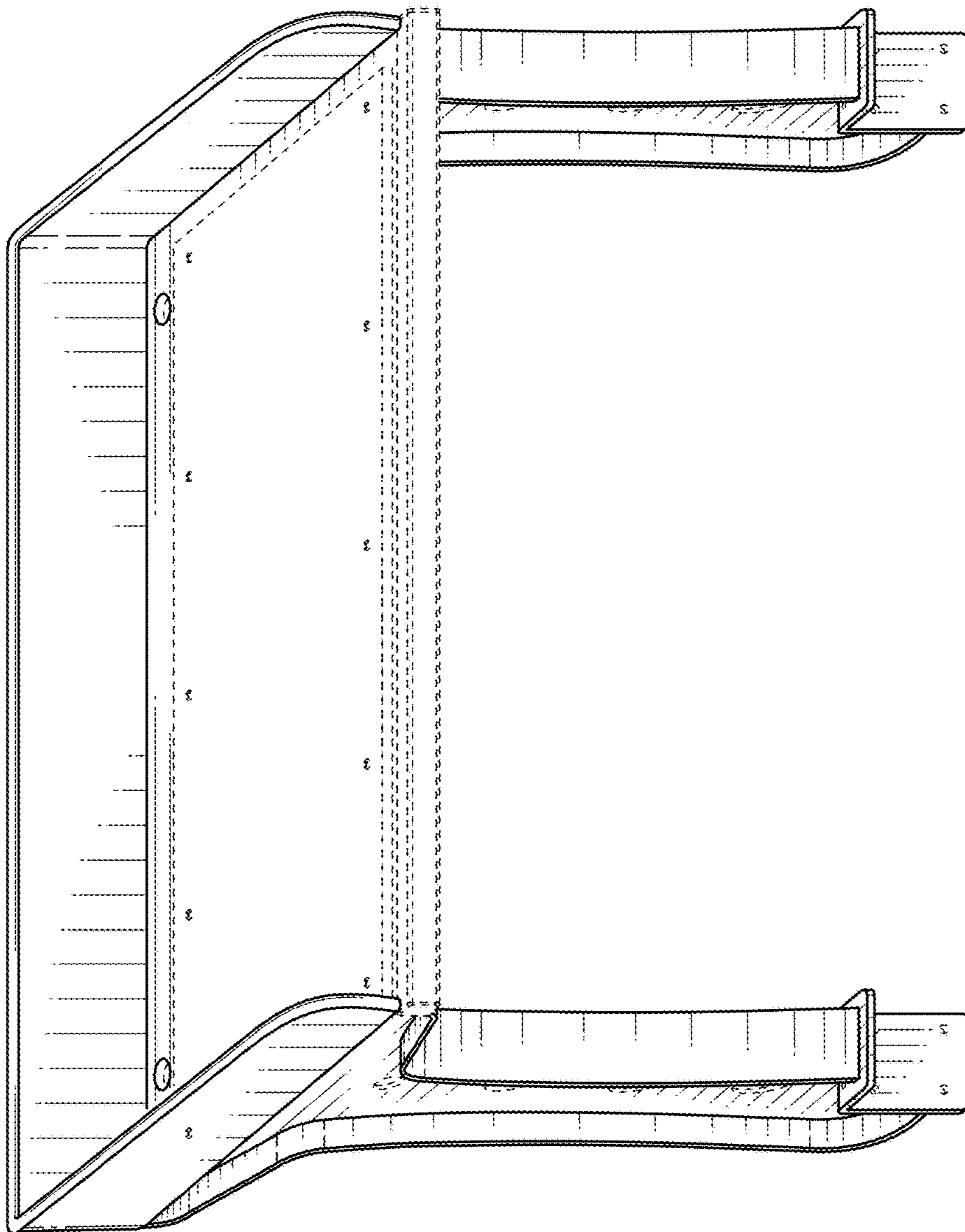


FIG. 3

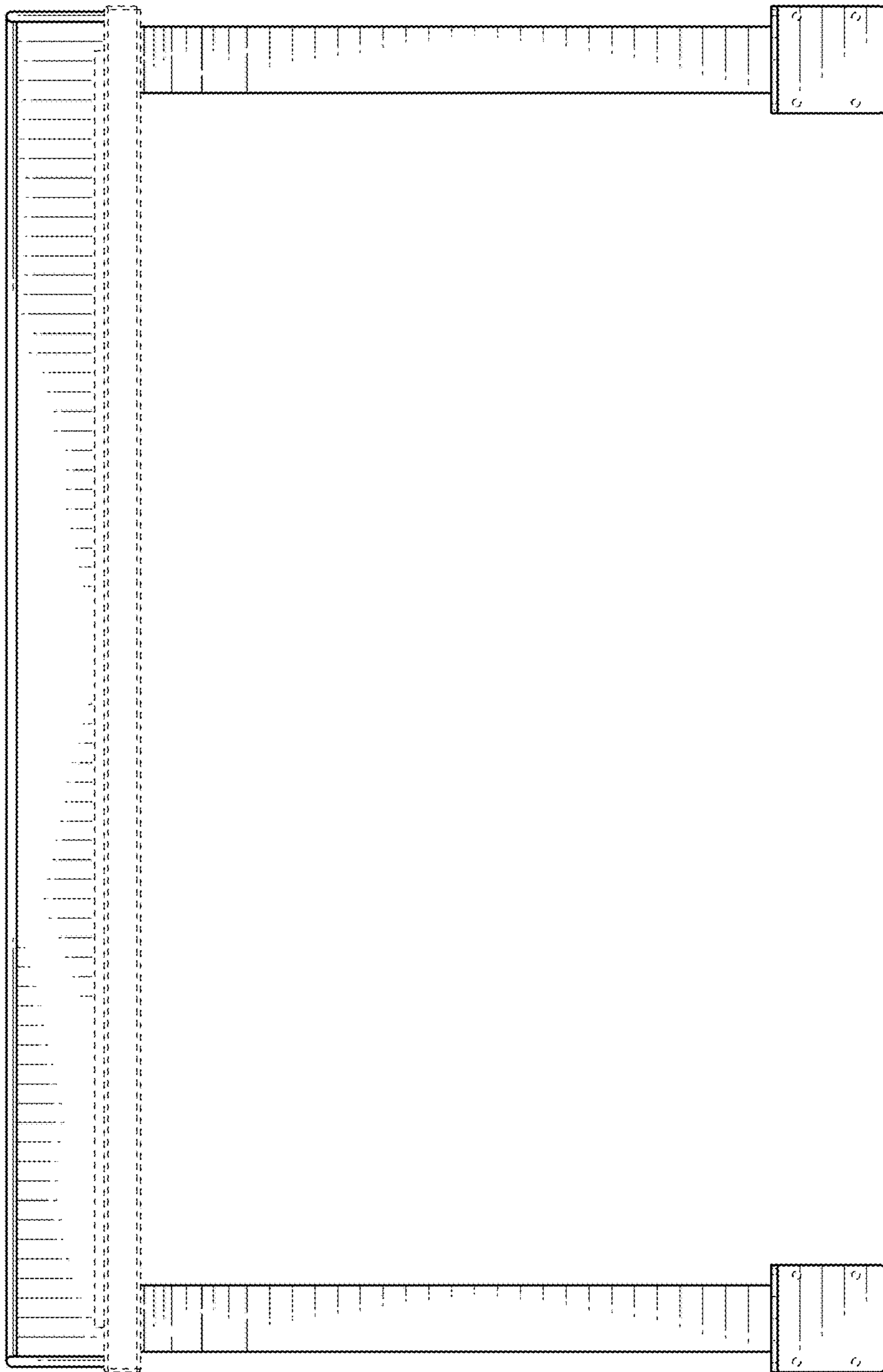


FIG. 4

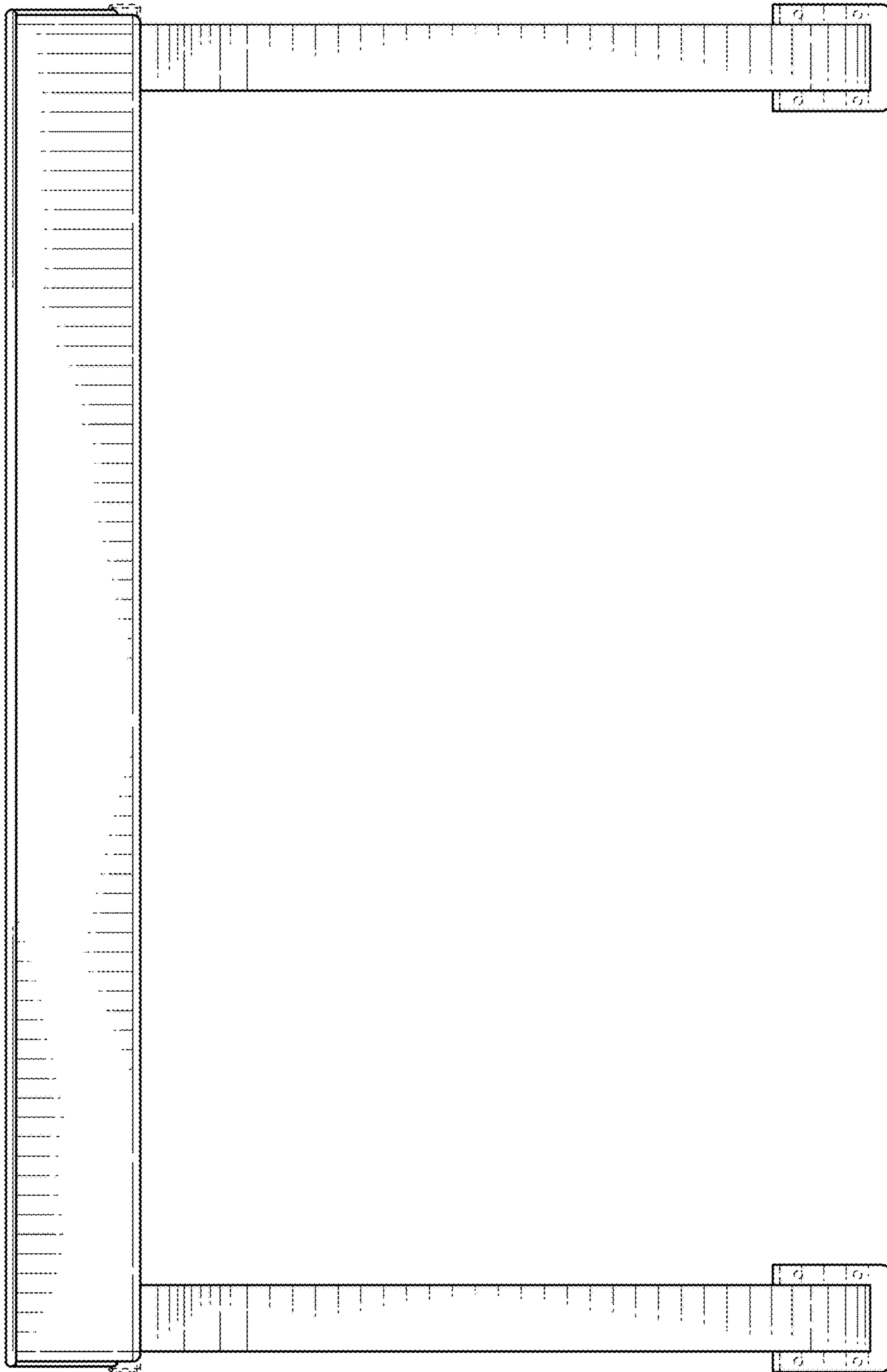


FIG. 5

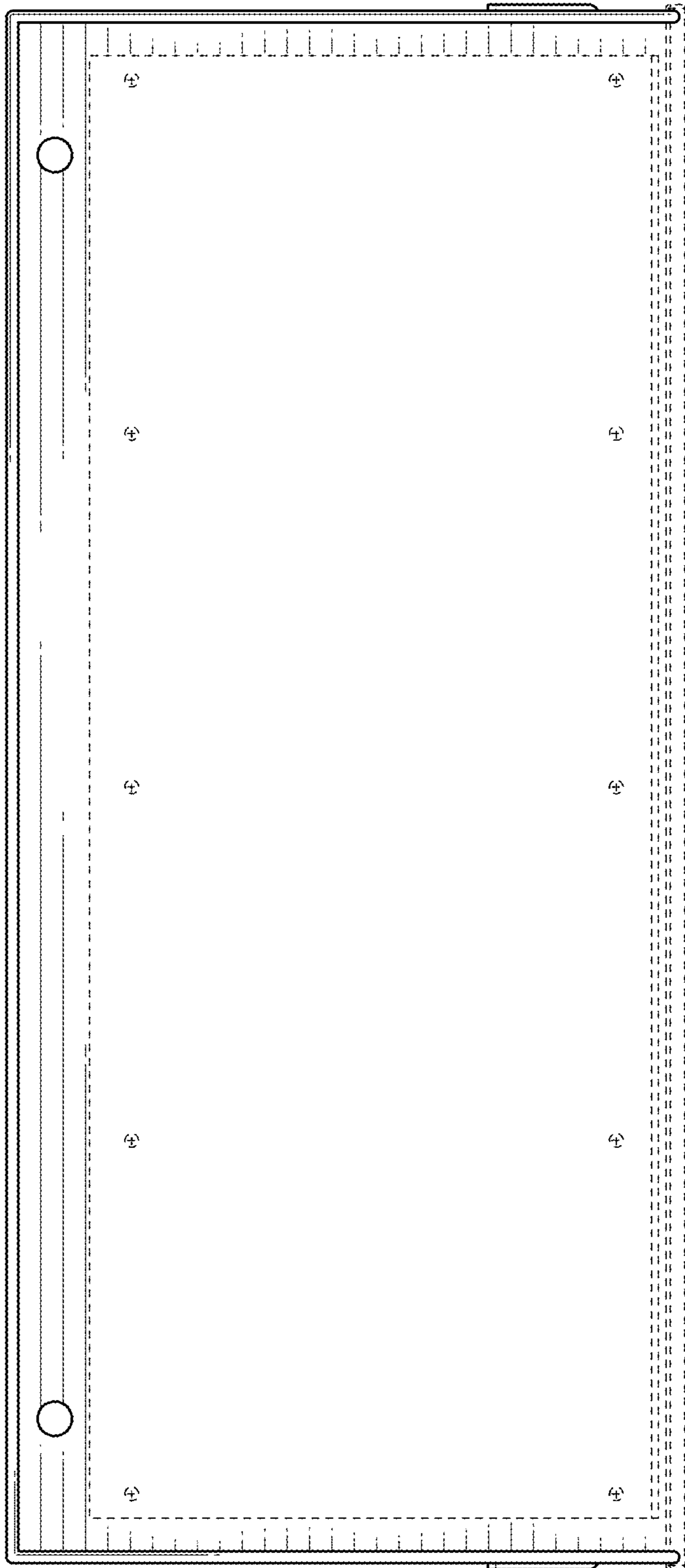


FIG. 6

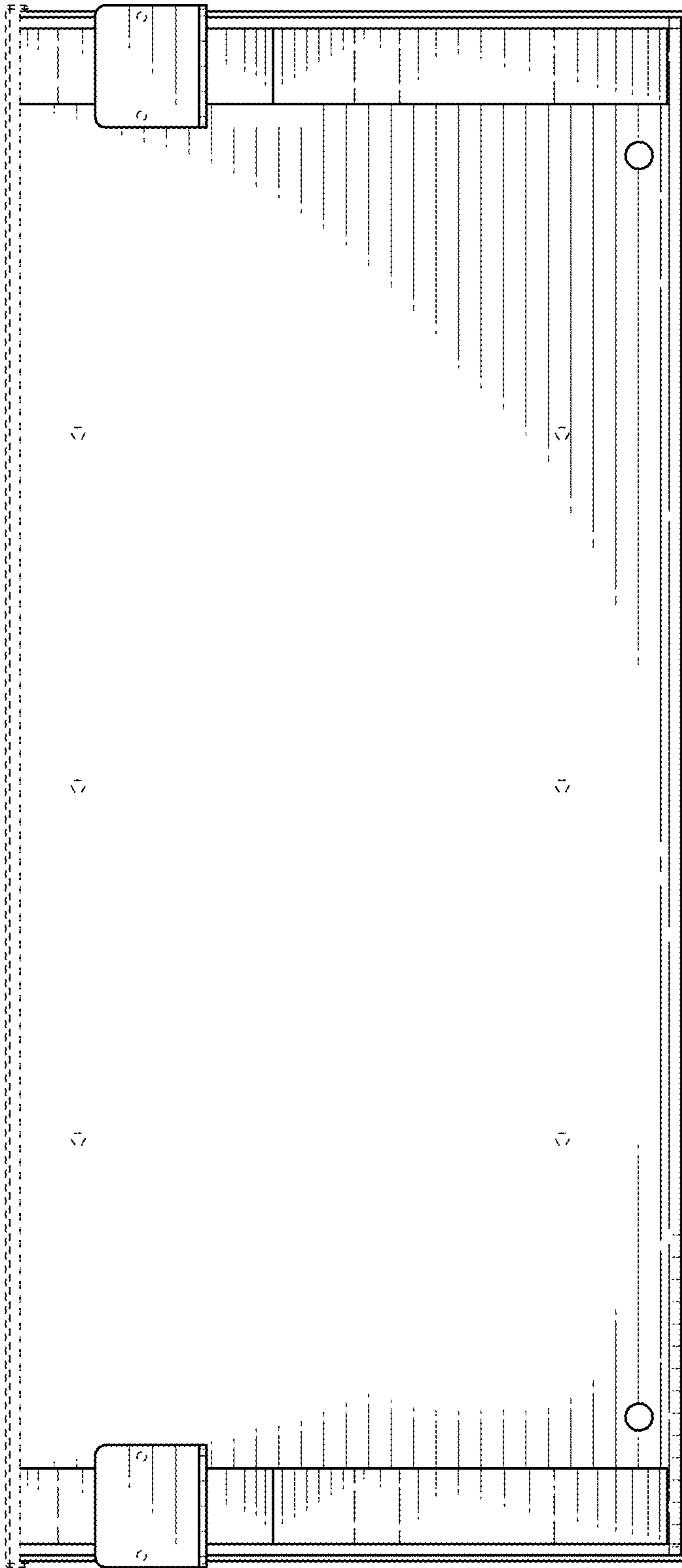


FIG. 7

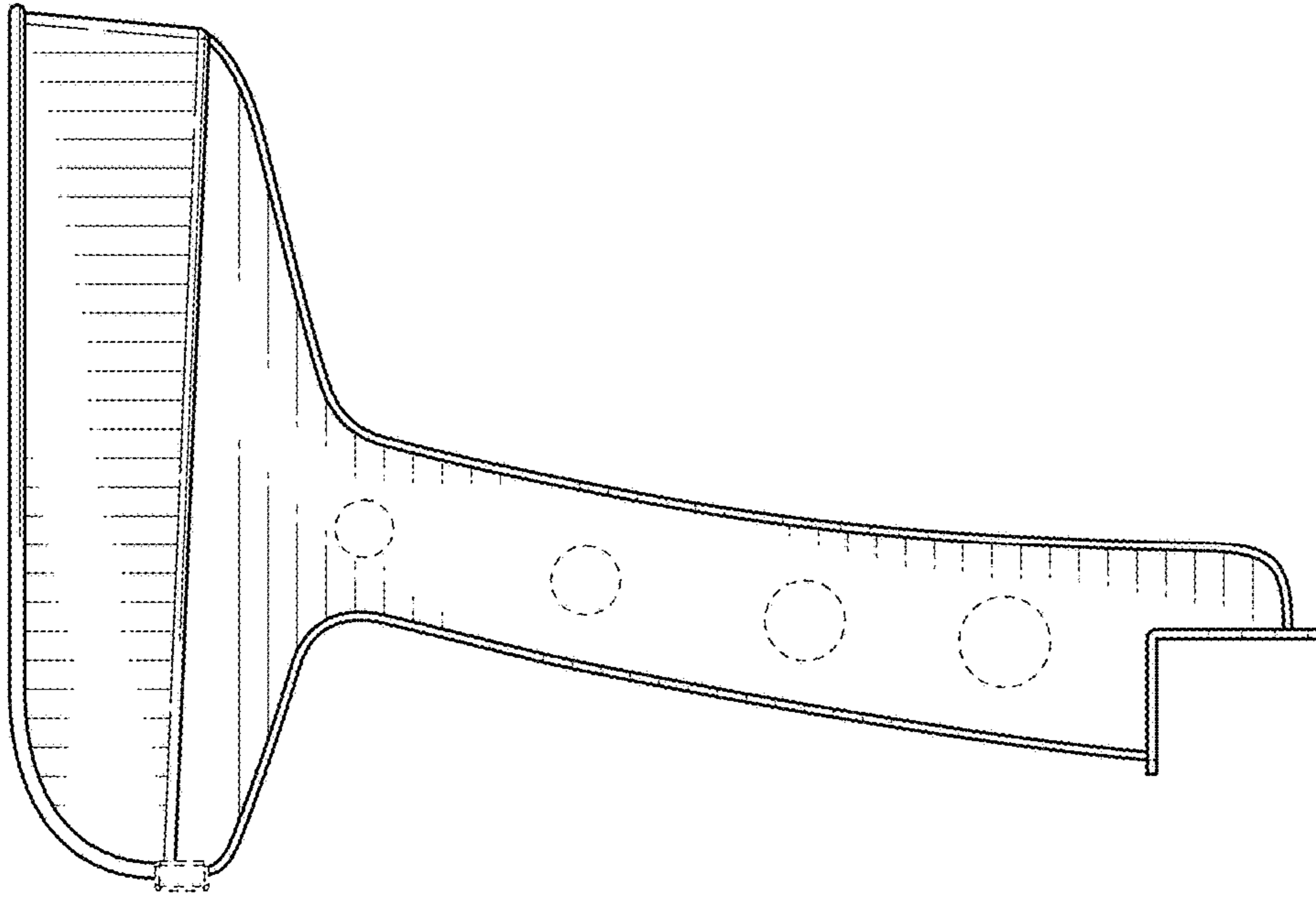


FIG. 9

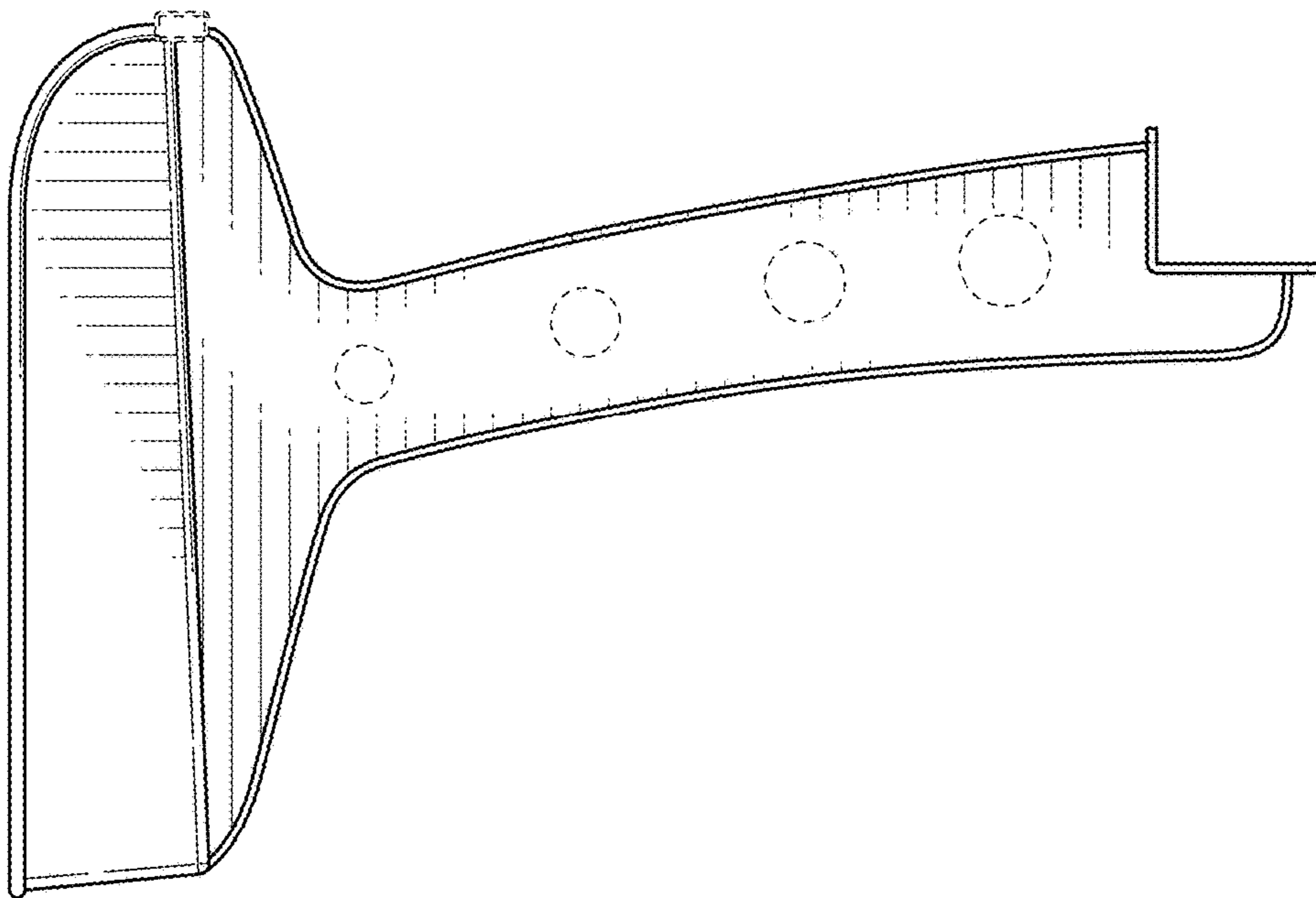


FIG. 8