



US00D859038S

(12) **United States Design Patent** (10) **Patent No.:** **US D859,038 S**
Davis et al. (45) **Date of Patent:** **** Sep. 10, 2019**

(54) **STAND**
(71) Applicant: **WALKER EDISON FURNITURE COMPANY LLC**, Salt Lake City, UT (US)
(72) Inventors: **Matthew Davis**, Murray, UT (US); **Brad Bonham**, Draper, UT (US); **Richard Packer**, Kaysville, UT (US)

D78,127 S 3/1929 Schleicher
2,207,307 A 7/1940 Teller
D166,077 S 3/1952 Haas
D175,869 S 10/1955 Trout
2,743,720 A 5/1956 Lewis
D182,836 S 5/1958 Lubberts
D186,115 S 9/1959 Church
D188,196 S 6/1960 Lubberts
D188,197 S 6/1960 Swarts

(Continued)

(73) Assignee: **Walker Edison Furniture Company LLC**, Salt Lake City, UT (US)

FOREIGN PATENT DOCUMENTS

CA 164489 4/2016
CA 165553 7/2016

(Continued)

(**) Term: **15 Years**

(21) Appl. No.: **29/654,936**

OTHER PUBLICATIONS

(22) Filed: **Jun. 28, 2018**

U.S. Appl. No. 29/611,962, filed Jul. 27, 2017, Davis.

(51) **LOC (12) Cl.** **06-06**

(Continued)

(52) **U.S. Cl.**
USPC **D6/675**

Primary Examiner — Kelley A Donnelly

(58) **Field of Classification Search**

(74) *Attorney, Agent, or Firm* — Workman Nydegger

USPC D6/334, 349, 641–642, 653–653.1,
D6/654–654.1, 655–655.1, 657, 673, 675
CPC A47B 39/00; A47B 83/02; A47F 5/0018;
A47F 5/0043; A47F 7/00
See application file for complete search history.

(57)

CLAIM

The ornamental design for a stand, as shown and described.

DESCRIPTION

(56) **References Cited**

FIG. 1 is a front perspective view of a stand showing the new design;

U.S. PATENT DOCUMENTS

245,925 A 8/1881 Kinsley
309,799 A 12/1884 Poulsen
D47,600 S 7/1915 Koch
D61,344 S 8/1922 Mayer
1,475,088 A 11/1923 Specht et al.
D64,390 S 4/1924 Arons
D64,922 S 6/1924 Naill
D66,028 S 11/1924 Lyons et al.
D66,889 S 3/1925 Schleicher
D68,065 S 8/1925 Schleicher
D68,659 S 11/1925 Smith

FIG. 2 is a front elevation view thereof;

FIG. 3 is a back elevation view thereof;

FIG. 4 is a top plan view thereof;

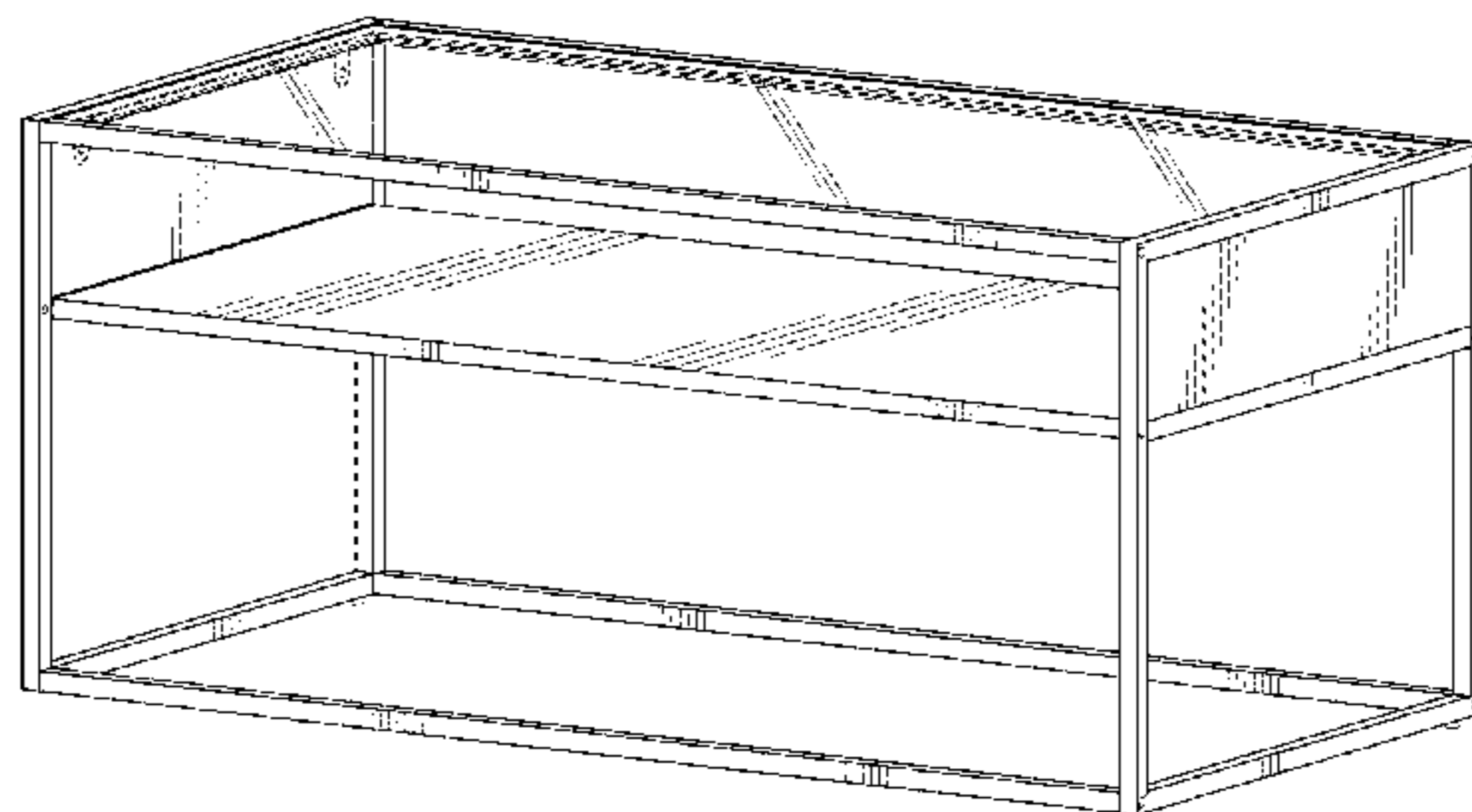
FIG. 5 is a bottom plan view thereof;

FIG. 6 is a right elevation view thereof; and,

FIG. 7 is a left elevation view thereof.

The broken lines in the drawings are for the purpose of illustrating portions of the article that form no part of the claimed design.

1 Claim, 4 Drawing Sheets



(56)

References Cited

U.S. PATENT DOCUMENTS

3,039,621 A	6/1962	Pilcher	D499,281 S	12/2004	Yamaguchi
D193,516 S	9/1962	Deaton	D499,583 S	12/2004	Anderson
D196,451 S	10/1963	McMullen	D510,211 S	10/2005	Welborn, Jr.
3,217,671 A	11/1965	Walsh	D519,203 S	4/2006	Haas
3,272,582 A	9/1966	Mack	D522,771 S	6/2006	Berry
3,354,878 A	11/1967	Balls	D528,327 S	9/2006	O'Reilly
RE27,186 E	10/1971	Ferdinand	D534,379 S	1/2007	Juneau
RE27,200 E	10/1971	Ferdinand et al.	D539,057 S	3/2007	Senda
3,762,789 A	10/1973	Robertson	D543,057 S	5/2007	Grady
3,766,863 A	10/1973	Swick	D543,728 S	6/2007	Becker
D233,294 S	10/1974	Goulder	D548,488 S	8/2007	Weatherly
D236,676 S	9/1975	Urti	D548,490 S	8/2007	Becker
D238,277 S	12/1975	Parker	D549,991 S	9/2007	Stravitz
D239,352 S	3/1976	Petrick	D554,393 S	11/2007	Yalif
D248,429 S	9/1978	Robinson	D555,397 S	11/2007	Yalif
D249,429 S	9/1978	Robinson	D559,583 S	1/2008	Zambelli
D249,860 S	10/1978	Ungaro	D559,584 S	1/2008	Zambelli
4,182,244 A	1/1980	Hutchins	D560,077 S	1/2008	Zambelli
D262,847 S	2/1982	Keller	D560,396 S	1/2008	Weatherly
D269,754 S	7/1983	Kates	D560,930 S	2/2008	Woodward
D270,858 S	10/1983	McInnes	D561,317 S	2/2008	Ou
D281,901 S	12/1985	Demrick	D562,597 S	2/2008	Weatherly
D283,343 S	4/1986	Haythornthwaite	D564,789 S	3/2008	deCarolis
D303,596 S	9/1989	Goetz	D567,346 S	4/2008	Lin
D304,982 S	12/1989	Bush	D587,483 S	3/2009	Zambelli
D305,930 S	2/1990	MacAleese	D587,484 S	3/2009	Domack
D319,230 S	8/1991	Sugiyama	D587,497 S *	3/2009	Zambelli D6/675.1
5,036,778 A	8/1991	Briosi	D588,831 S	3/2009	Mohundro
D319,743 S	9/1991	Grey	D589,280 S *	3/2009	Zambelli D6/675.1
D327,735 S	7/1992	Smith	D591,533 S	5/2009	Karsson
D328,341 S	7/1992	Chiu	7,530,538 B2	5/2009	Whalen
D329,693 S	9/1992	Mills	D593,776 S	6/2009	Sexton
D336,184 S	6/1993	Borgen	D594,248 S	6/2009	Zambelli
D347,754 S	6/1994	Mehlin	D604,546 S	11/2009	Alman
D348,576 S	7/1994	Narramore	D605,874 S	12/2009	Zambelli
D348,726 S	7/1994	Wilson	D611,727 S	3/2010	Vail
D353,960 S	1/1995	Barfield	D618,015 S	6/2010	Sexton
5,409,122 A	4/1995	Lazarus	D620,278 S	7/2010	Zambelli
5,452,812 A	9/1995	Niequist	D622,834 S	8/2010	Jiang
D363,841 S	11/1995	Nourse	D623,442 S	9/2010	Zambelli
D364,055 S	11/1995	Pakla	D623,876 S	9/2010	Zambelli
5,463,966 A	11/1995	Nilsson	D623,877 S	9/2010	Zambelli
D365,472 S	12/1995	Rehnberg	D625,123 S	9/2010	Zambelli
D366,110 S	1/1996	Darr	D630,453 S	1/2011	Rafieha
D367,383 S	2/1996	Hatrick-Smith	D632,902 S	2/2011	Rafieha
D373,693 S	9/1996	Elhage	D638,922 S	5/2011	Zhou
5,628,256 A	5/1997	Lazarus	7,934,494 B1	5/2011	Schneider
D385,431 S	10/1997	Lee	D640,072 S	6/2011	Sexton
5,695,081 A	12/1997	Alkalay	D641,861 S	7/2011	Okamoto
D389,343 S	1/1998	Van Der Merwe	D644,853 S	9/2011	Becker
D390,936 S	2/1998	French	D653,051 S	1/2012	Lin
5,752,500 A	5/1998	Jamieson	D653,739 S	2/2012	Gibbs
5,782,231 A	7/1998	Wade	D654,289 S	2/2012	Zambelli
5,833,084 A	11/1998	Chang	D654,995 S	2/2012	Asofsky
D403,529 S	1/1999	De Blaay	D654,996 S	2/2012	Asofsky
D407,577 S	4/1999	Dorst	D655,946 S	3/2012	Sexton
D408,174 S	4/1999	Aspenwall	D658,750 S	5/2012	Nemes
D420,114 S	2/2000	Johnson	D663,137 S	7/2012	Andersen
D423,810 S	5/2000	Dorst	D663,138 S	7/2012	Anderson
D425,330 S	5/2000	O'Hare	D665,897 S	8/2012	Martin
D428,609 S	7/2000	Williams	D665,987 S	8/2012	Martin
D430,431 S	9/2000	Walter	D666,281 S	8/2012	Nemes
D448,203 S	9/2001	Jeup	D667,654 S	9/2012	Lenney
D452,624 S	1/2002	de Blois	D668,475 S	10/2012	Zambelli
D454,264 S	3/2002	Patik	D669,704 S	10/2012	Zambelli
D455,916 S	4/2002	Fluhrer	D669,706 S *	10/2012	Zambelli D6/662.1
6,393,207 B1	5/2002	Martin	D669,707 S	10/2012	Zambelli
D466,333 S	12/2002	Hwang	D674,891 S	1/2013	Huang
6,515,262 B1	2/2003	Li	D675,716 S	2/2013	Schwartz
D477,160 S	7/2003	Grosfillex	D687,250 S	8/2013	Weatherly
D478,432 S	8/2003	Juneau	D694,873 S	12/2013	Nemes
D479,925 S	9/2003	Hsieh	D696,758 S	12/2013	Ernst
D485,709 S *	1/2004	de Blois D6/675	8,607,776 B2	12/2013	Jansson
D492,989 S	7/2004	Beck	8,813,656 B1	8/2014	Hazzard
D499,274 S	12/2004	Juneau	D716,288 S	10/2014	O'Heron
			D717,081 S	11/2014	Dworman
			D717,569 S	11/2014	Davis
			D718,957 S	12/2014	Helser
			D719,384 S	12/2014	Sowers

(56)

References Cited

U.S. PATENT DOCUMENTS

D720,563 S 1/2015 Burden
 D723,148 S 2/2015 Lawrence
 D723,843 S 3/2015 Lai
 9,004,060 B2 4/2015 Benedetti
 D731,823 S 6/2015 Kelinske
 D736,012 S 8/2015 Davis
 D737,418 S 8/2015 Hrydovyy
 D738,477 S 9/2015 Nemes
 D738,647 S 9/2015 Muller
 D741,630 S 10/2015 Meissner
 D742,142 S 11/2015 Everson
 D742,662 S 11/2015 Muller
 D743,192 S 11/2015 Davis
 D746,614 S 1/2016 Sheppard
 D747,123 S 1/2016 Zambelli
 D747,788 S 1/2016 Baker
 D747,900 S 1/2016 Sheppard
 9,228,742 B2 1/2016 Akiyama
 D748,768 S 2/2016 Stanton
 D752,905 S 4/2016 Healy
 D753,930 S 4/2016 Vengadakrishnan
 D757,350 S 5/2016 Levy
 D758,766 S 6/2016 Kirar
 D759,997 S * 6/2016 Ruiz D6/675.1
 D767,752 S 9/2016 Davis
 D767,753 S 9/2016 Edmund
 D773,862 S 12/2016 Davis
 D775,866 S 1/2017 Ben Avi
 D777,479 S 1/2017 Anderson
 D778,641 S 2/2017 Anderson
 D778,646 S 2/2017 Davis
 D783,324 S * 4/2017 Akana D6/691.1
 D791,302 S * 7/2017 Davis D23/403
 D791,522 S 7/2017 Rodd
 D792,132 S * 7/2017 Peota D6/675
 D793,776 S * 8/2017 Davis D6/675
 D798,640 S 10/2017 Anderson
 D807,671 S * 1/2018 Caillouet D6/708
 D808,203 S 1/2018 Davis
 D808,688 S 1/2018 Everson
 D808,690 S 1/2018 Hsu
 D812,938 S 3/2018 Moore
 D814,410 S 4/2018 Emslie
 D817,037 S 5/2018 Davis
 D817,038 S 5/2018 Davis
 D817,040 S 5/2018 Davis
 D817,666 S 5/2018 Davis
 D817,667 S 5/2018 Davis
 D824,703 S * 8/2018 Yamamoto D6/675.1
 D825,233 S * 8/2018 Yamamoto D6/675.1
 D825,959 S 8/2018 Rockwell
 D833,782 S 11/2018 Amacher
 D834,354 S 11/2018 Davis
 D834,355 S * 11/2018 Davis D6/657
 D835,437 S * 12/2018 Stukenberg D6/675
 D835,925 S * 12/2018 Denby D6/675
 D838,523 S * 1/2019 Yamamoto D6/675.1
 D843,756 S * 3/2019 Johnson D6/675
 D845,041 S 4/2019 Davis
 D845,679 S * 4/2019 Li D6/656
 D845,683 S * 4/2019 Pedersen D6/675
 D848,768 S * 5/2019 Johnson D6/662.1
 D848,770 S * 5/2019 Davis D6/675.1
 2004/0079714 A1 4/2004 Andrew
 2004/0222721 A1 11/2004 Kelley
 2004/0237853 A1 12/2004 Sholz
 2005/0000241 A1 1/2005 Kucera
 2005/0103734 A1 5/2005 Saltzberg
 2007/0062983 A1 3/2007 Barnett
 2007/0236111 A1 10/2007 Gray
 2008/0181587 A1 7/2008 Patil
 2008/0203042 A1 8/2008 Felsenthal
 2008/0216817 A1 9/2008 Yungbluth
 2009/0025414 A1 1/2009 Koga
 2009/0151375 A1 6/2009 Tarr

2009/0170421 A1 7/2009 Adrian
 2009/0220221 A1 9/2009 Zhou
 2010/0307179 A1 12/2010 Fava
 2011/0000477 A1 1/2011 Kwon
 2011/0017691 A1 1/2011 Wu
 2011/0079688 A1 4/2011 Grove
 2011/0080261 A1 4/2011 Asofsky
 2011/0120166 A1 5/2011 Nadel
 2011/0220090 A1 9/2011 Atemboski
 2014/0116418 A1 5/2014 Thomas
 2014/0252939 A1 9/2014 Tunzi
 2014/0265754 A1 * 9/2014 Patterson A47B 87/005
 312/111
 2014/0265807 A1 9/2014 Kendall
 2014/0318529 A1 10/2014 Nielson
 2015/0182021 A1 7/2015 Chang
 2015/0323190 A1 11/2015 Stein
 2016/0018112 A1 1/2016 Phillips
 2016/0100698 A1 4/2016 Clark
 2016/0209102 A1 7/2016 Vulava
 2016/0223213 A1 8/2016 Grohova
 2016/0256032 A1 9/2016 Bhajak
 2017/0211814 A1 7/2017 Bourne
 2018/0064246 A1 3/2018 Kassanoff

FOREIGN PATENT DOCUMENTS

CA 165554 7/2016
 CA 171259 9/2017
 CA 179415 1/2018
 CA 182458 6/2018
 CA 182461 7/2018
 CA 182700 7/2018
 CA 182701 7/2018
 CA 182703 7/2018

OTHER PUBLICATIONS

U.S. Appl. No. 29/611,963, filed Jul. 27, 2017, Davis.
 U.S. Appl. No. 29/634,946, filed Jan. 25, 2018, Davis.
 U.S. Appl. No. 29/634,903, filed Jan. 25, 2018, Davis.
 U.S. Appl. No. 29/654,941, filed Jun. 28, 2018, Davis.
 U.S. Appl. No. 29/654,935, filed Jun. 28, 2018, Davis.
 U.S. Appl. No. 29/654,950, filed Jun. 28, 2018, Davis.
 U.S. Appl. No. 29/656,499, filed Jul. 12, 2018, Davis.
 U.S. Appl. No. 29/656,479, filed Jul. 12, 2018, Davis.
 U.S. Appl. No. 29/656,485, filed Jul. 12, 2018, Davis.
 U.S. Appl. No. 29/656,486, filed Jul. 12, 2018, Davis.
 U.S. Appl. No. 29/656,497, filed Jul. 12, 2018, Davis.
 U.S. Appl. No. 29/677,722, filed Jan. 23, 2019, Davis.
 U.S. Appl. No. 29/677,723, filed Jan. 23, 2019, Davis.
 U.S. Appl. No. 29/677,724, filed Jan. 23, 2019, Davis.
 U.S. Appl. No. 29/677,738, filed Jan. 23, 2019, Davis.
 U.S. Appl. No. 29/677,755, filed Jan. 23, 2019, Davis.
 U.S. Appl. No. 29/677,761, filed Jan. 23, 2019, Davis.
 Czaplá TV Stand for TVs up to 65"; <https://www.allmodern.com/furniture/pdp/mercury-row-czapla-tv-stand-for-tvs-up-to-65-a000303456.html>; Retrieved on May 7, 2019.
 Nelson Media Cabinet; <https://www.franceandson.com/collections/storage-shelving-media-cabinets/products/nelson-media-cabinet36051>; Retrieved on May 7, 2019.
 Hal TV Stand for TVs up to 60"; <https://www.allmodern.com/furniture/pdp/hal-tv-stand-for-tvs-up-to-60-a000176456.html>; Retrieved on May 7, 2019.
 Wigington TV Stand for TVs up to 60"; <https://www.allmodern.com/furniture/pdp/wigington-tv-stand-for-tvs-up-to-60-golv3670.html?piiid>; Retrieved on May 7, 2019.
 Cliffmay Slat Media Stand Light Oak Brown—Project 62; [https://www.target.com/p/cliffmay-slat-media-stand-light-oak-brown-project-62-153/-/A-53517373?ref=tgt_adv_XS000000&AFID=google_pla_df&fndsrc=tgtao&CPNG=PLA_Furniture%2BShopping_Priority%2BBands&adgroup=SC_Project=62&LID=70000001170770pgs&network=g&device=c&location=9029756&gclid=aw.ds&ds_rl=1246978&ds_rl=1247068&ds_rl=1246978&ref=tgt_adv_XS000000&AFID=google_pla_df&CPNG=PLA_Furniture=Shopping_Priority="](https://www.target.com/p/cliffmay-slat-media-stand-light-oak-brown-project-62-153/-/A-53517373?ref=tgt_adv_XS000000&AFID=google_pla_df&fndsrc=tgtao&CPNG=PLA_Furniture%2BShopping_Priority%2BBands&adgroup=SC_Project=62&LID=70000001170770pgs&network=g&device=c&location=9029756&gclid=aw.ds&ds_rl=1246978&ds_rl=1247068&ds_rl=1246978&ref=tgt_adv_XS000000&AFID=google_pla_df&CPNG=PLA_Furniture=Shopping_Priority=)

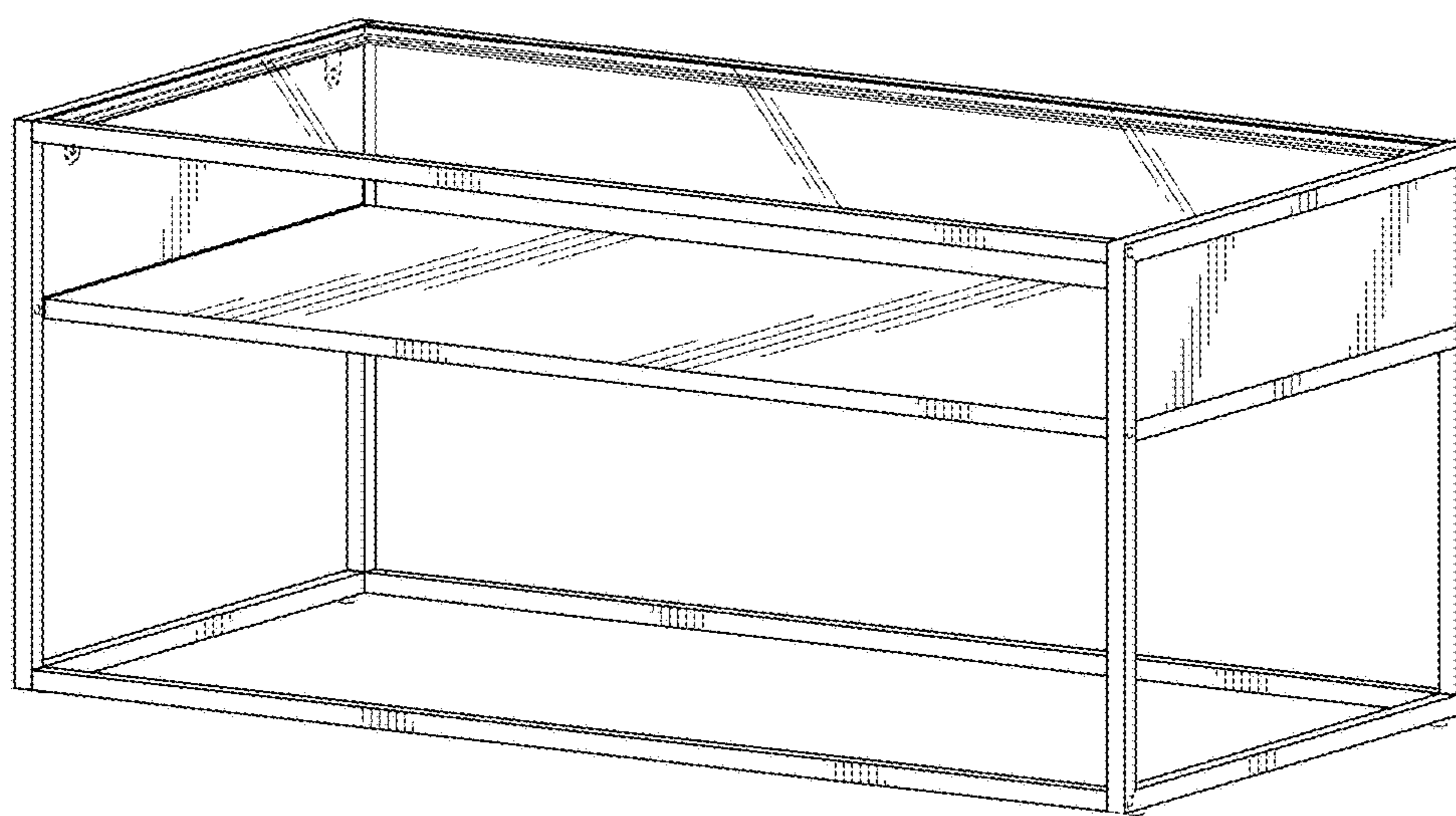


FIG. 1

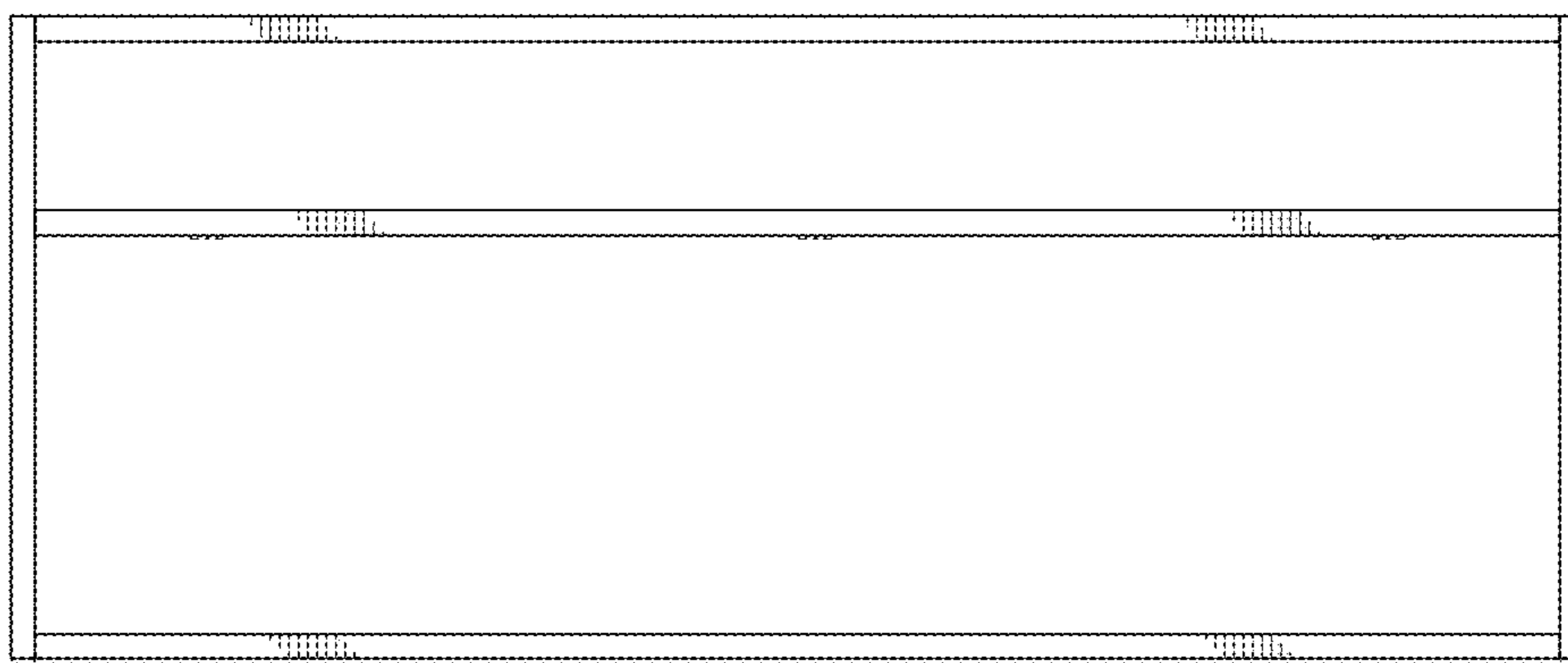


FIG. 2

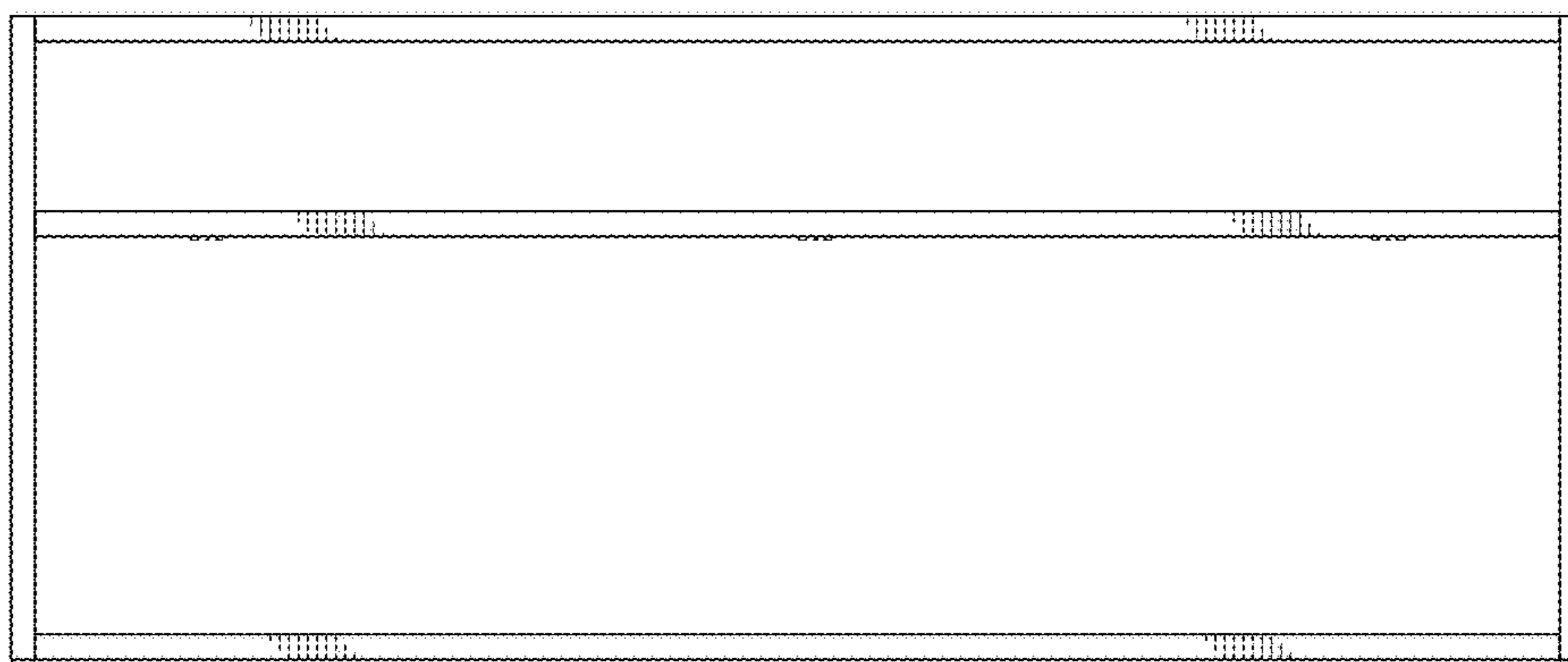


FIG. 3

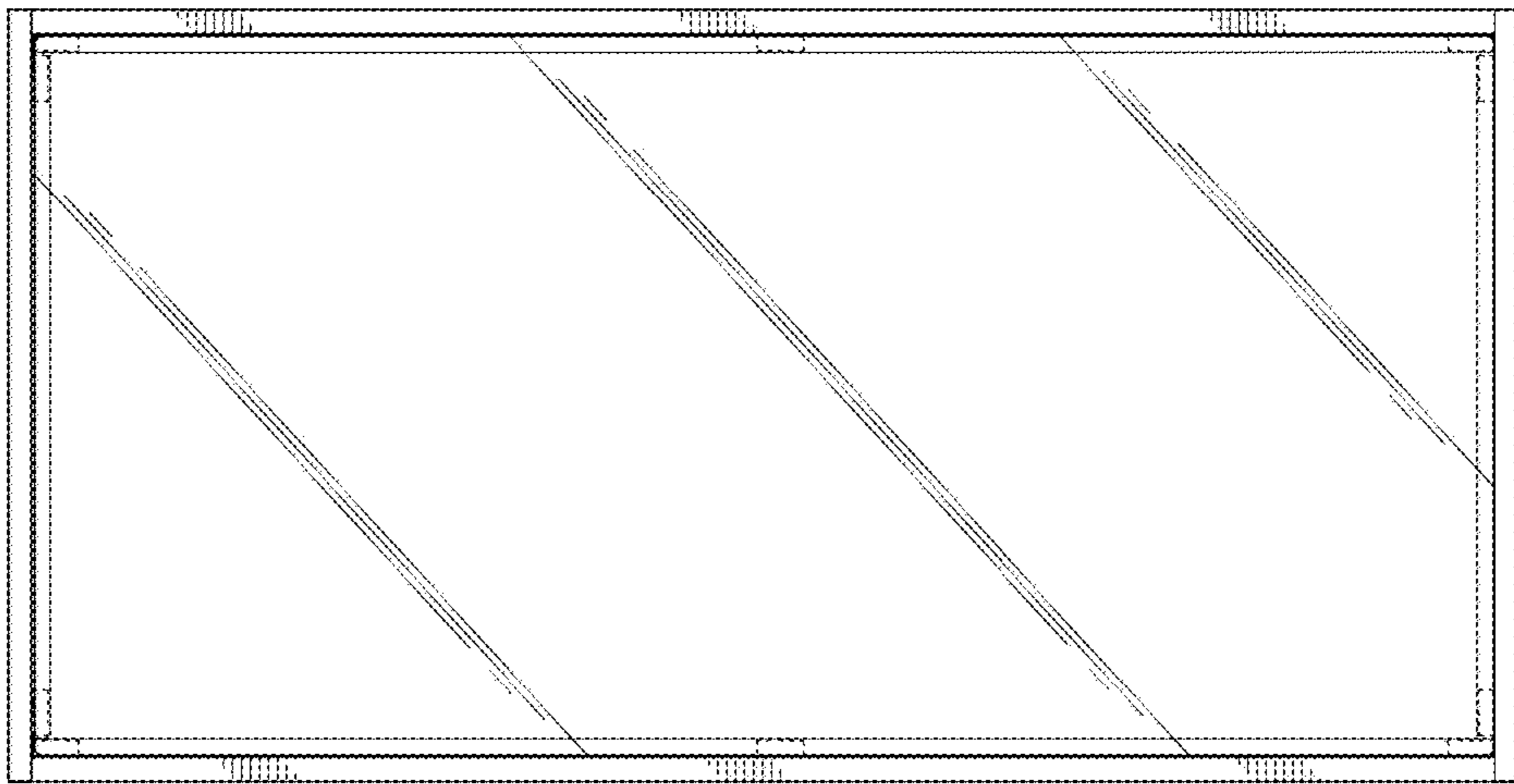


FIG. 4

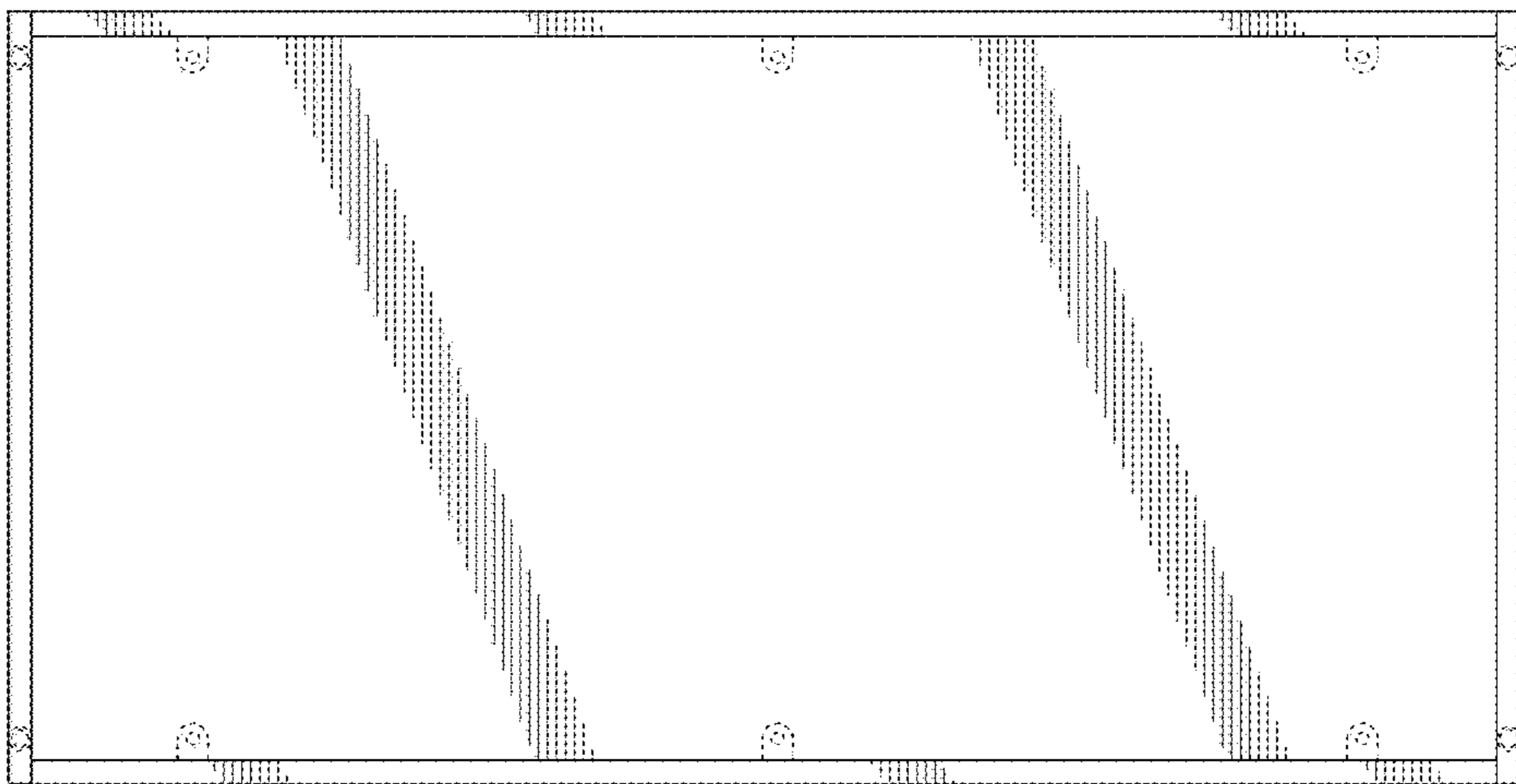


FIG. 5

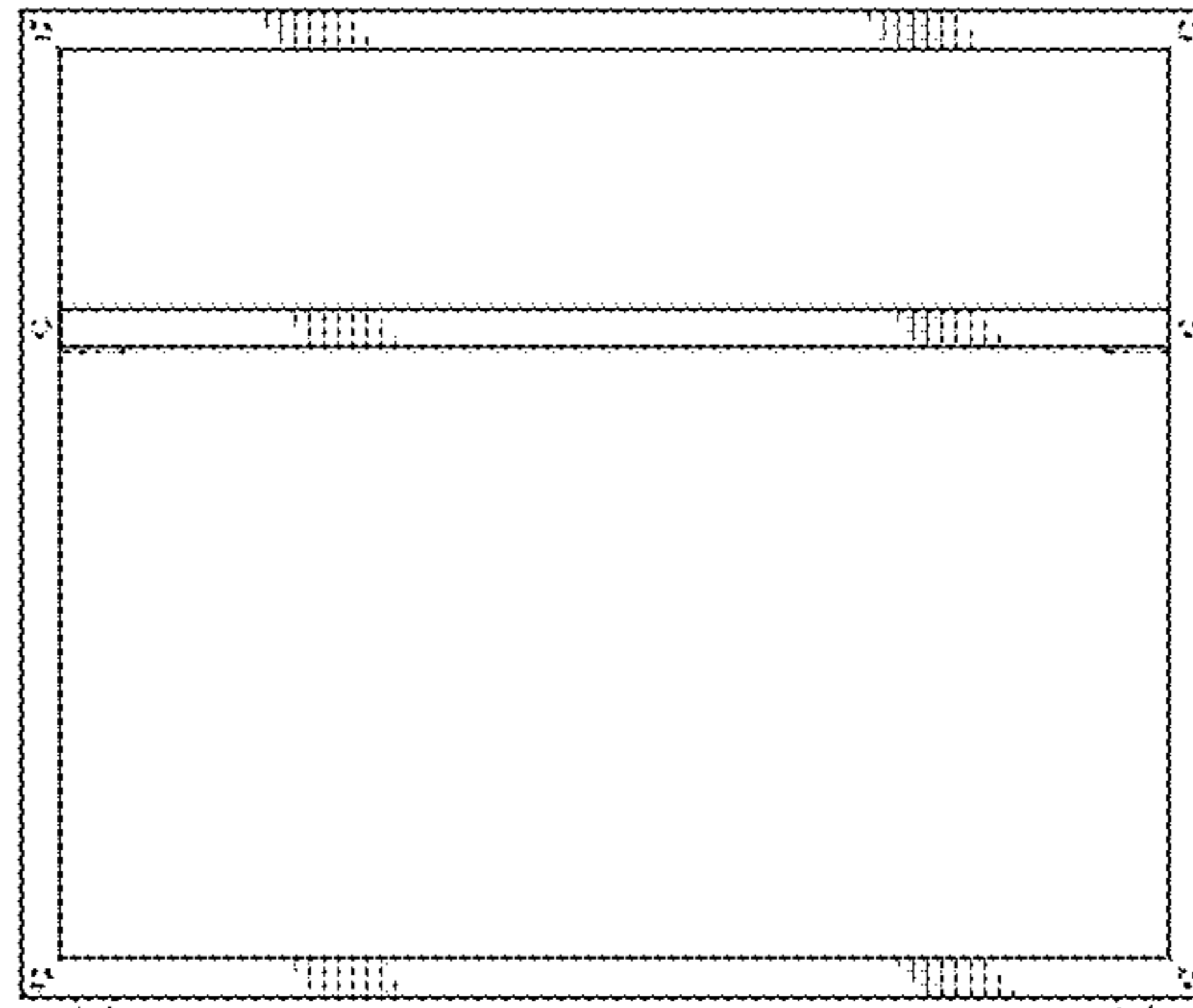


FIG. 6

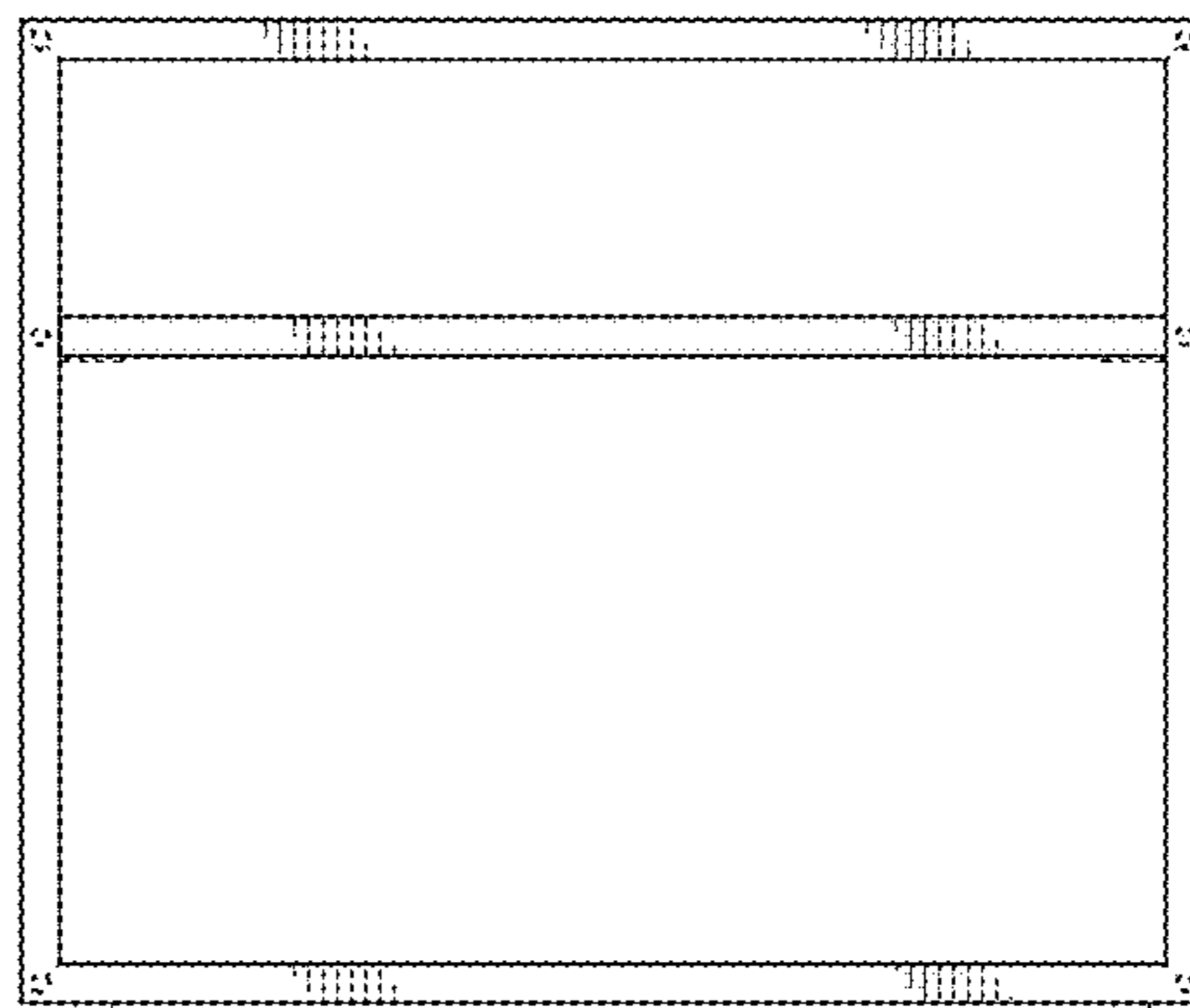


FIG. 7