



US00D859036S

(12) **United States Design Patent** (10) **Patent No.:** **US D859,036 S**
Chen (45) **Date of Patent:** **** Sep. 10, 2019**

(54) **VEHICLE SEAT INSERT**

DESCRIPTION

(71) Applicant: **FRIEND SUCCESS, INC.**, Corinth, TX (US)
(72) Inventor: **Kate Chen**, Corinth, TX (US)
(73) Assignee: **Friend Success, INC.**, Corinth, TX (US)
(**) Term: **15 Years**
(21) Appl. No.: **29/602,482**
(22) Filed: **May 1, 2017**
(51) **LOC (12) Cl.** **06-13**
(52) **U.S. Cl.**
USPC **D6/611**
(58) **Field of Classification Search**
USPC D6/610, 611
(Continued)

(56) **References Cited**

U.S. PATENT DOCUMENTS

4,019,776 A * 4/1977 Takamatsu B60N 2/6027
297/218.1
D387,939 S * 12/1997 Tedesco D6/610
(Continued)

OTHER PUBLICATIONS

Boat seat cover, posted at alibaba.com, posting date not given, [online], [site visited Jul. 24, 2018]. Available from Internet, URL: https://www.alibaba.com/product-detail/boat-seat-covers-reclining-boat-seat_60377604320.html (Year: 2018).*

(Continued)

Primary Examiner — George D. Kirschbaum

Assistant Examiner — Maria J Edwards

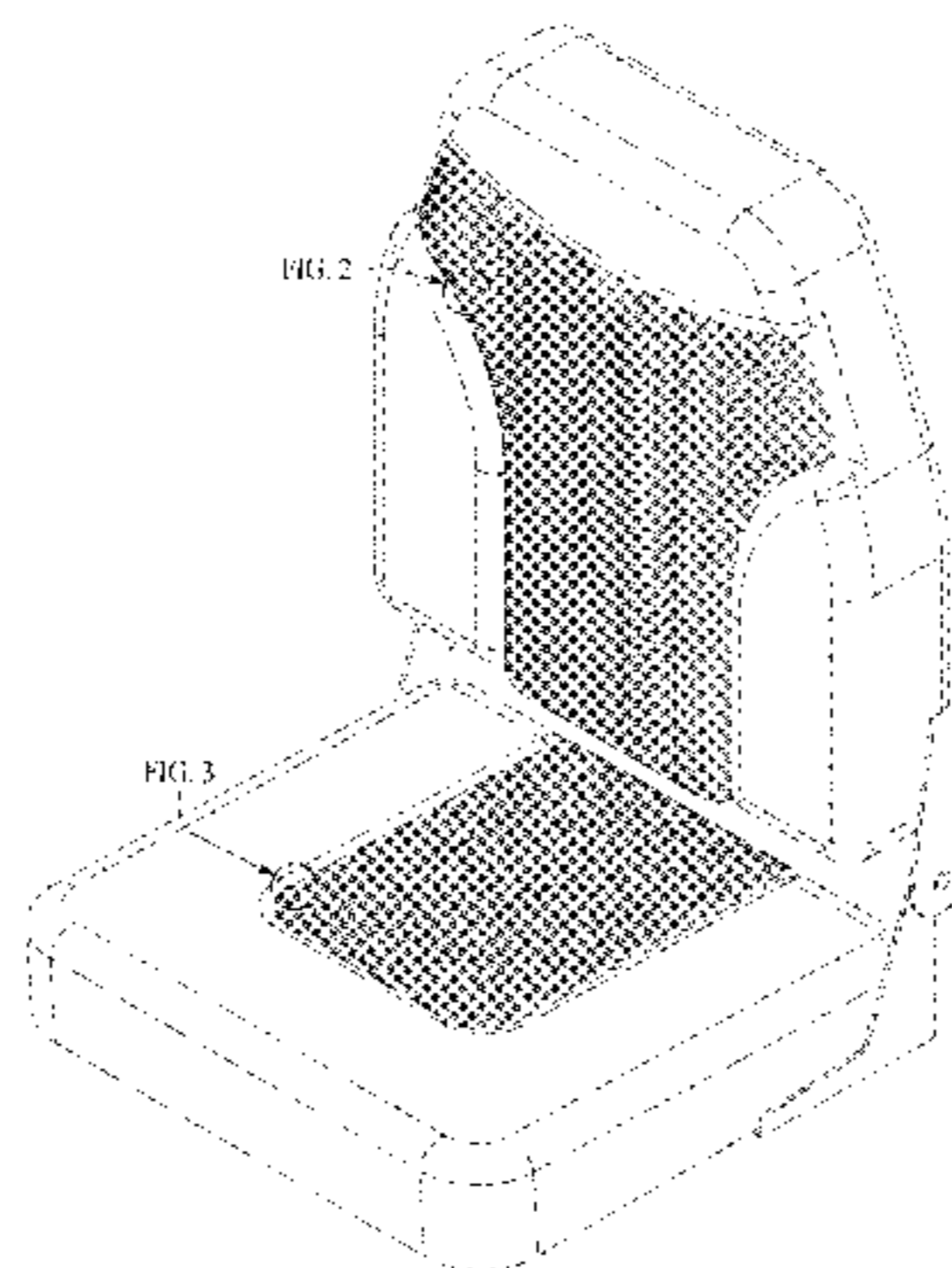
(57) **CLAIM**

The ornamental design for a vehicle seat insert, as shown and described.

FIG. 1 is a front perspective view of an embodiment of a vehicle seat insert showing the new design;
FIG. 2 is an enlarged view of the designated portion of FIG. 1;
FIG. 3 is an enlarged view of the designated portion of FIG. 1;
FIG. 4 is a front elevation view thereof;
FIG. 5 is an enlarged view of the designated portion of FIG. 4;
FIG. 6 is an enlarged view of the designated portion of FIG. 4;
FIG. 7 is a rear elevation view thereof;
FIG. 8 is an enlarged view of the designated portion of FIG. 7;
FIG. 9 is an enlarged view of the designated portion of FIG. 7;
FIG. 10 is a right side view thereof;
FIG. 11 is an enlarged view of the designated portion of FIG. 10;
FIG. 12 is an enlarged view of the designated portion of FIG. 10;
FIG. 13 is a left side view thereof;
FIG. 14 is an enlarged view of the designated portion of FIG. 13;
FIG. 15 is an enlarged view of the designated portion of FIG. 13;
FIG. 16 is a top view thereof;
FIG. 17 is an enlarged view of the designated portion of FIG. 16;
FIG. 18 is an enlarged view of the designated portion of FIG. 16;
FIG. 19 is a bottom view thereof; and,
FIG. 20 is an enlarged view of the designated portion of FIG. 19.

The dash-dash broken lines in the drawings represent environmental structure or portions of the article and form no part of the claimed design.

1 Claim, 14 Drawing Sheets



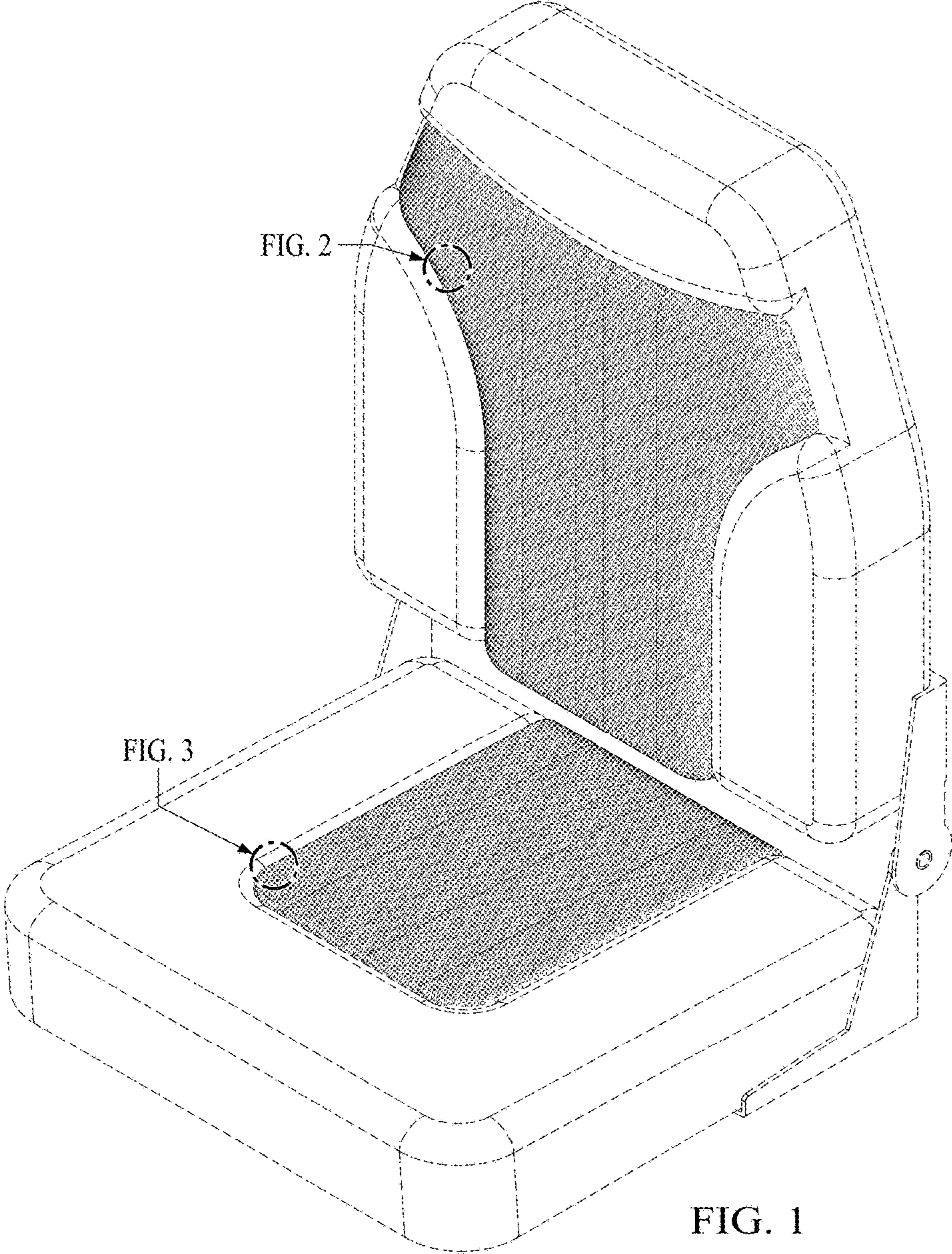


FIG. 1

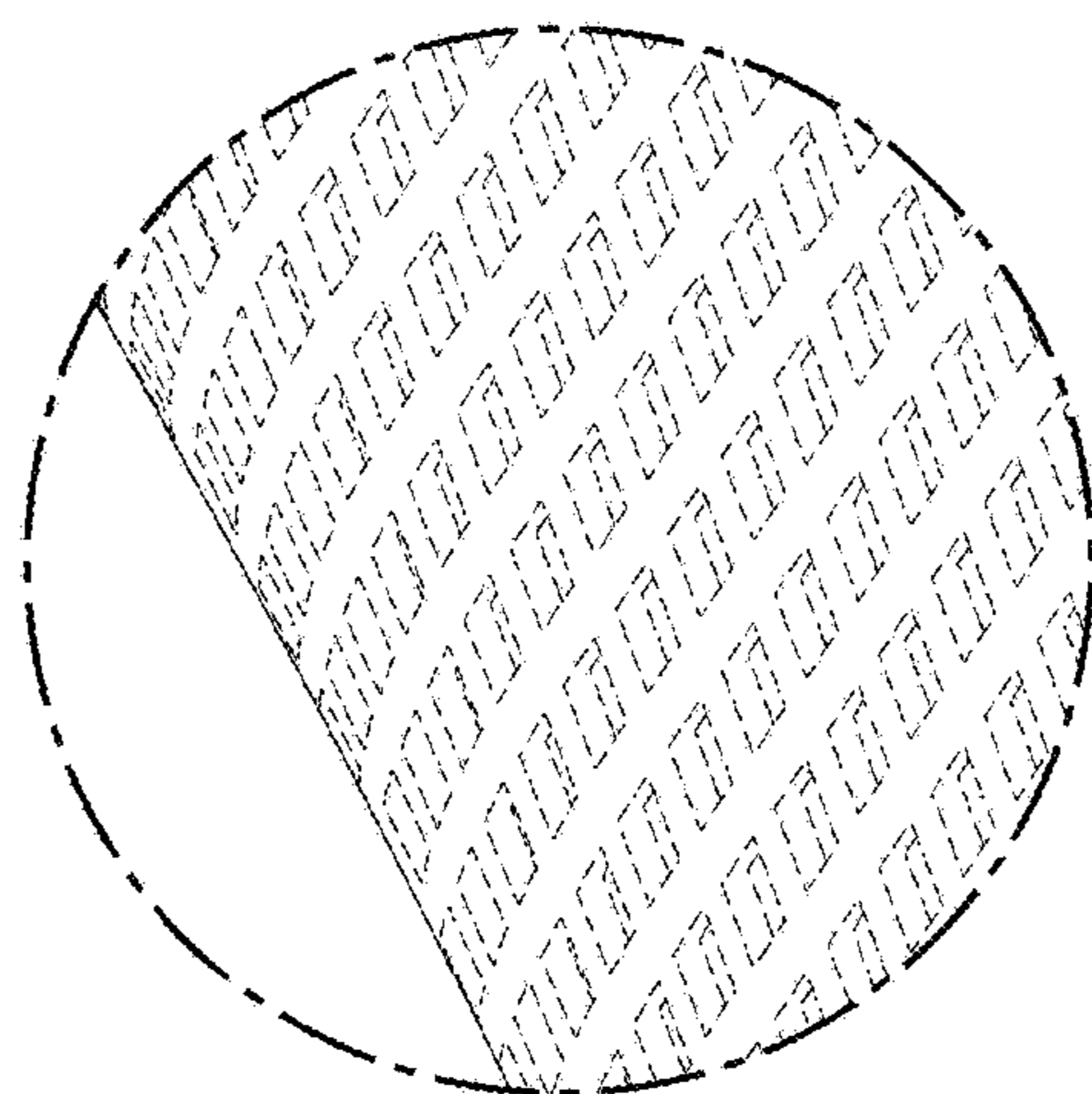


FIG. 2

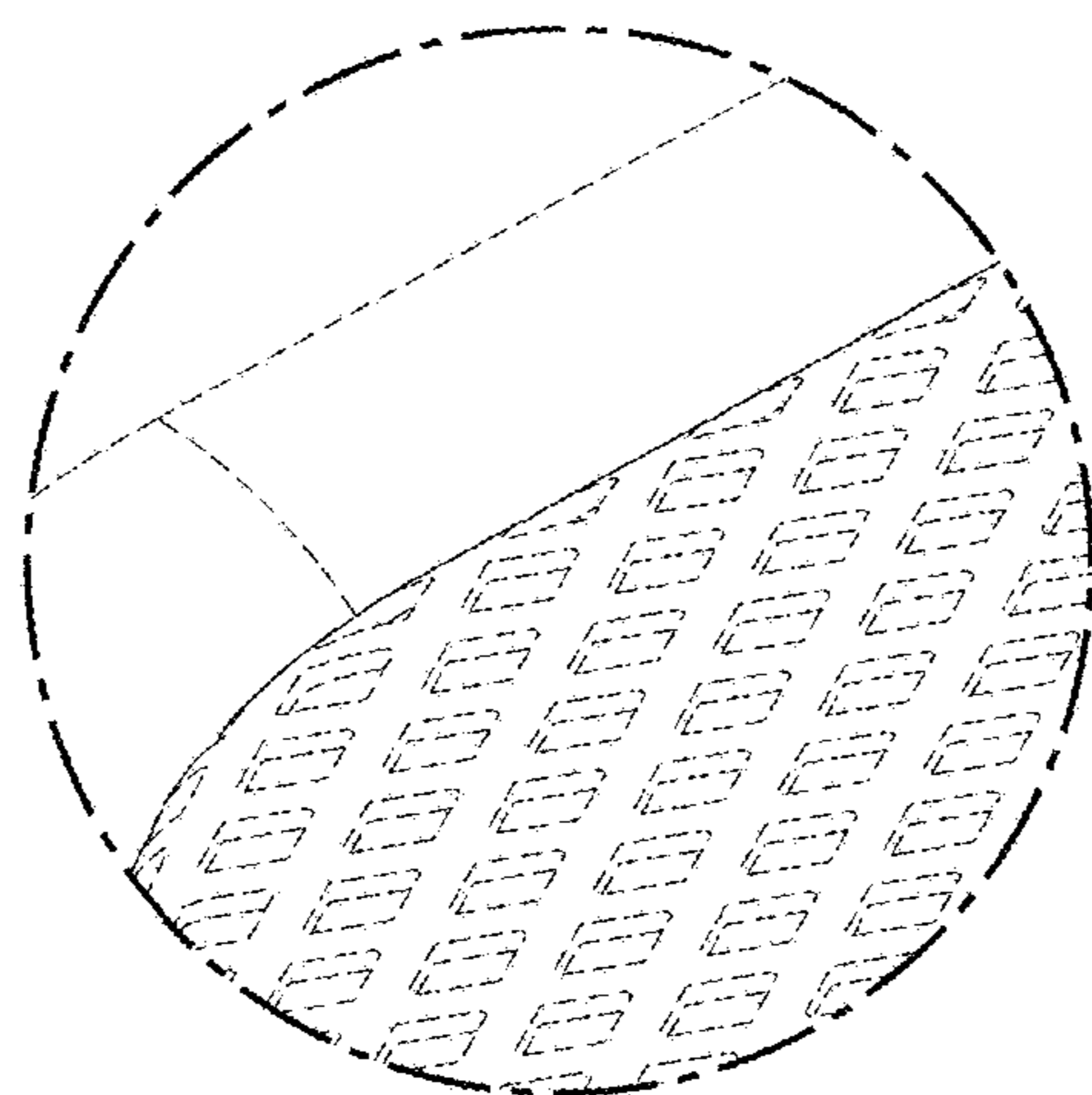
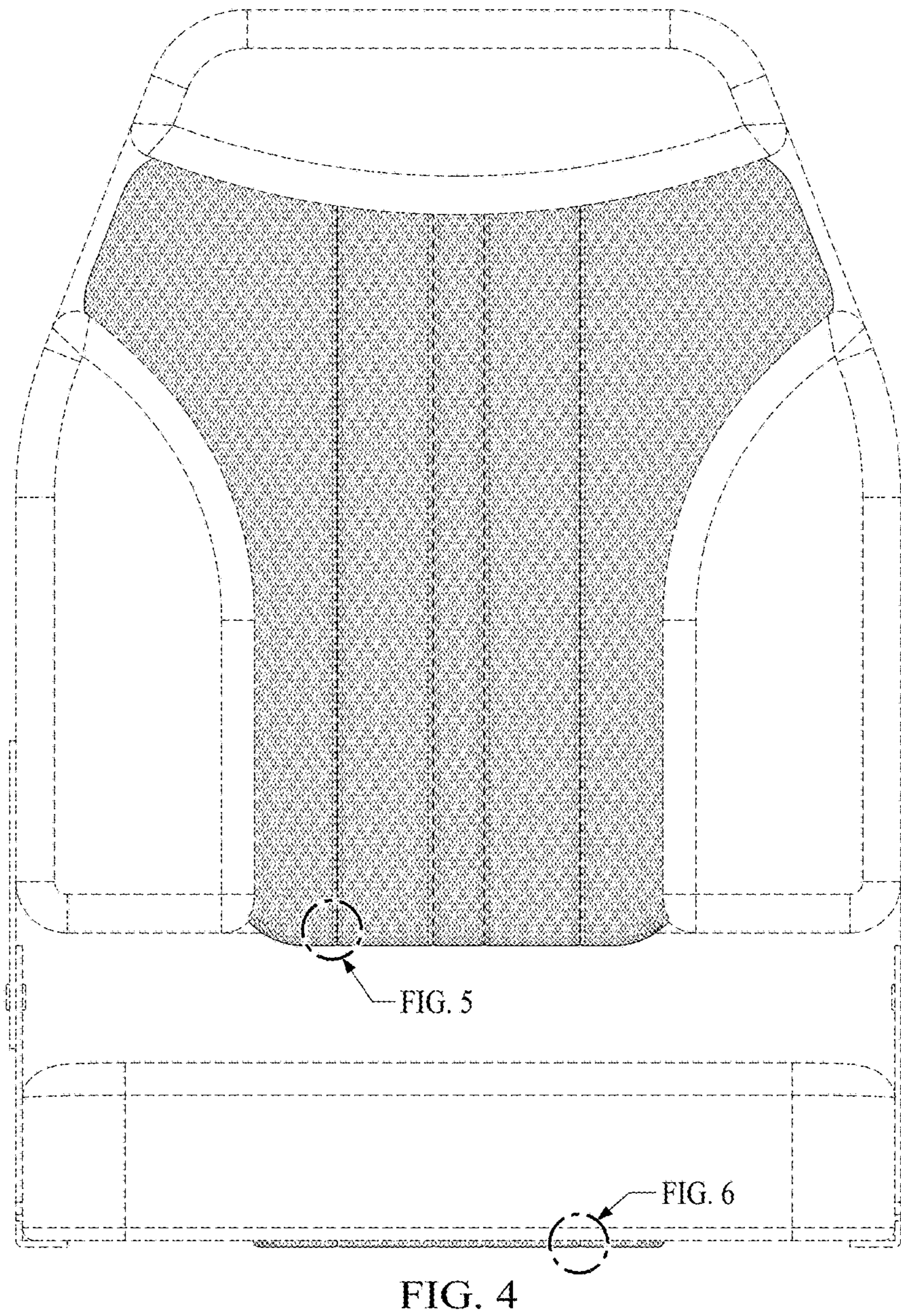


FIG. 3



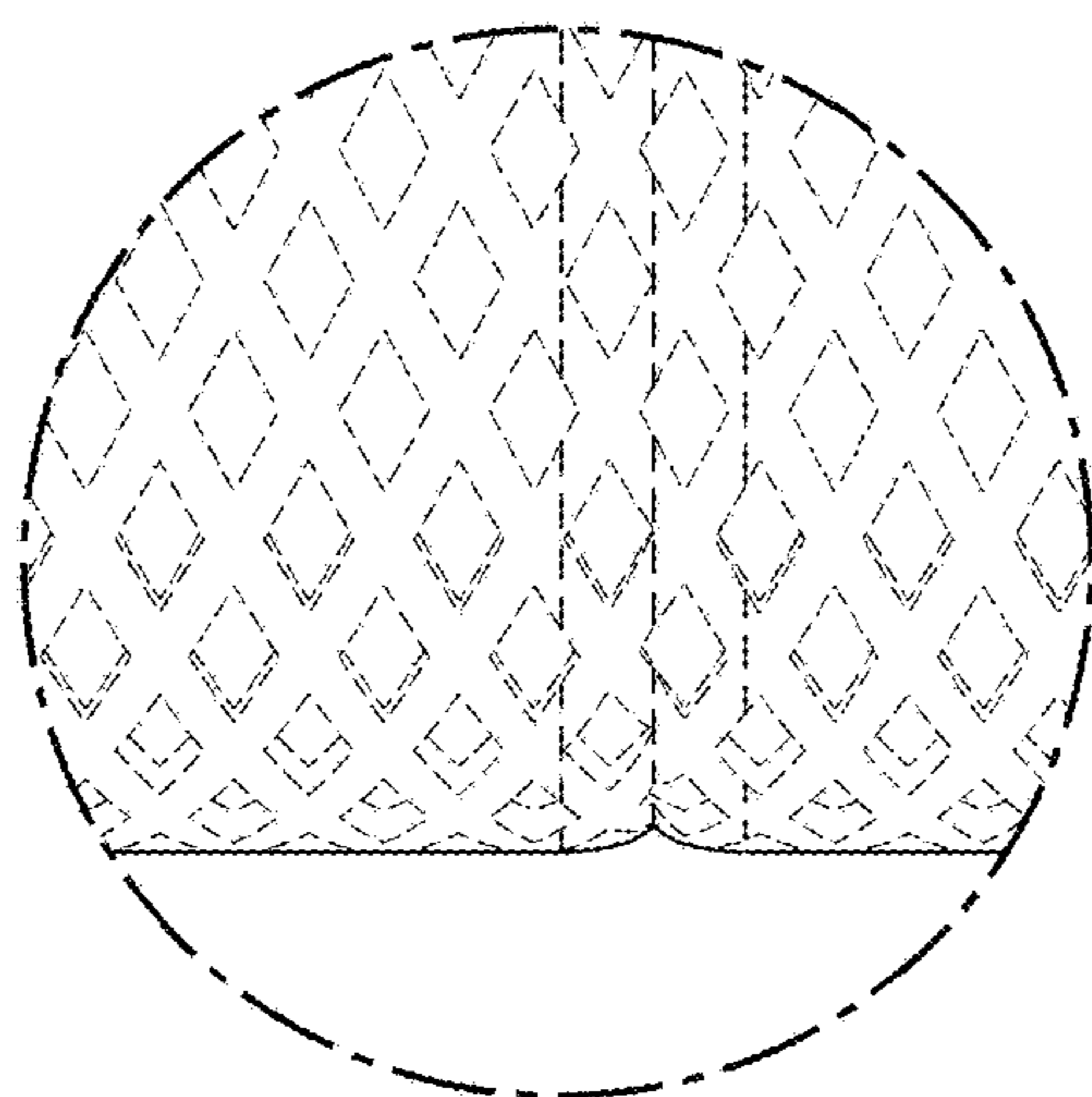


FIG. 5

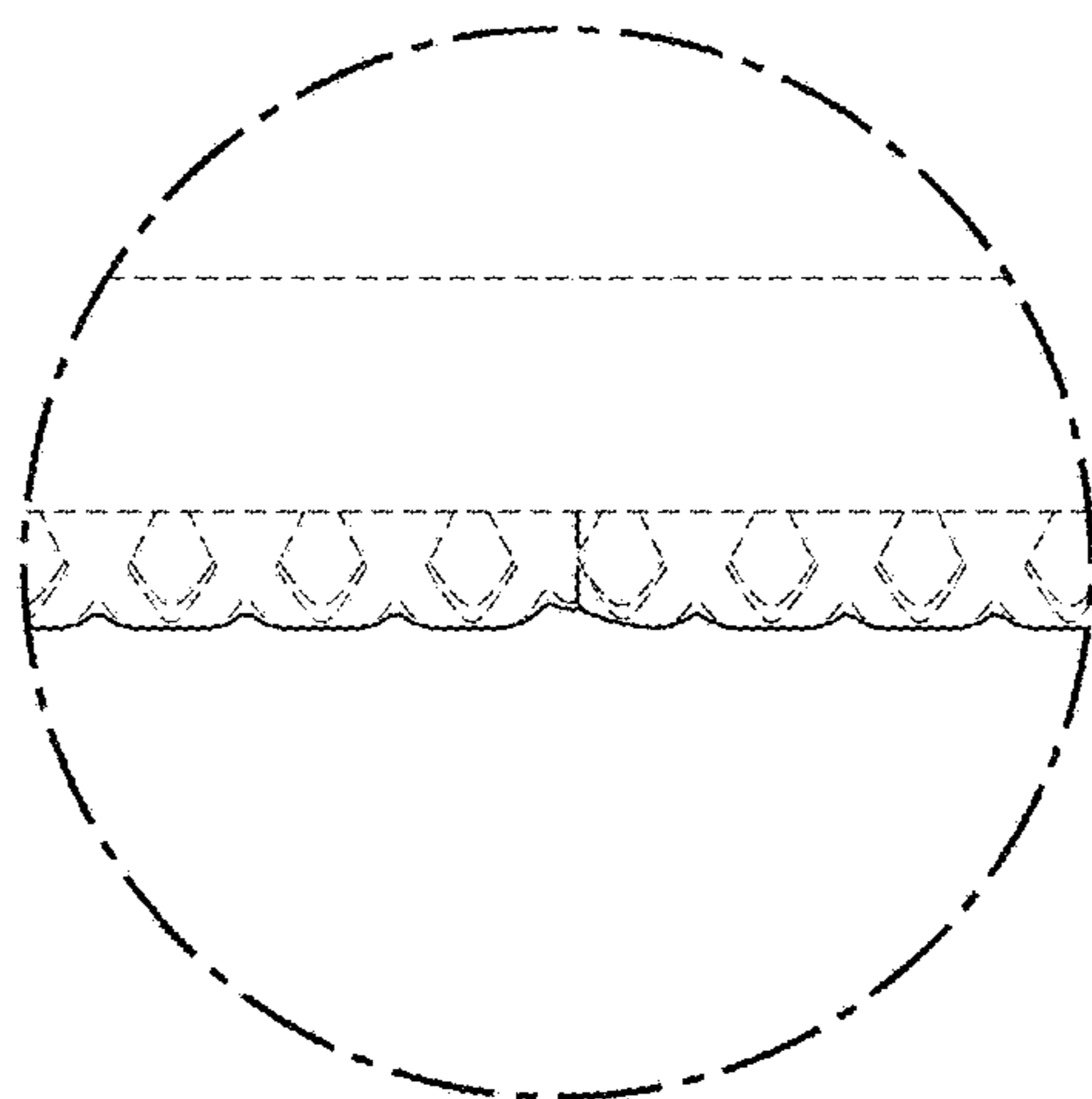


FIG. 6

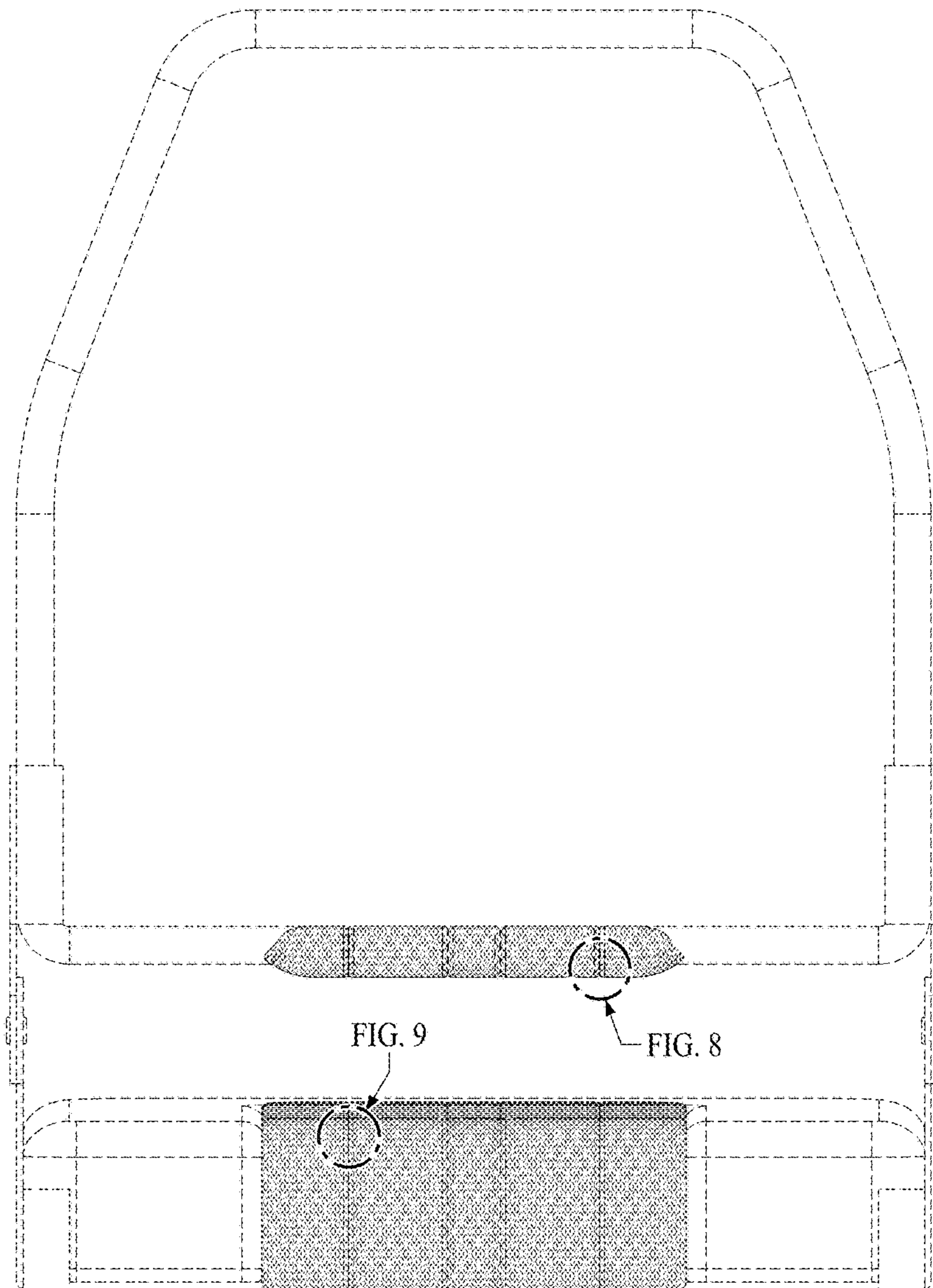


FIG. 7

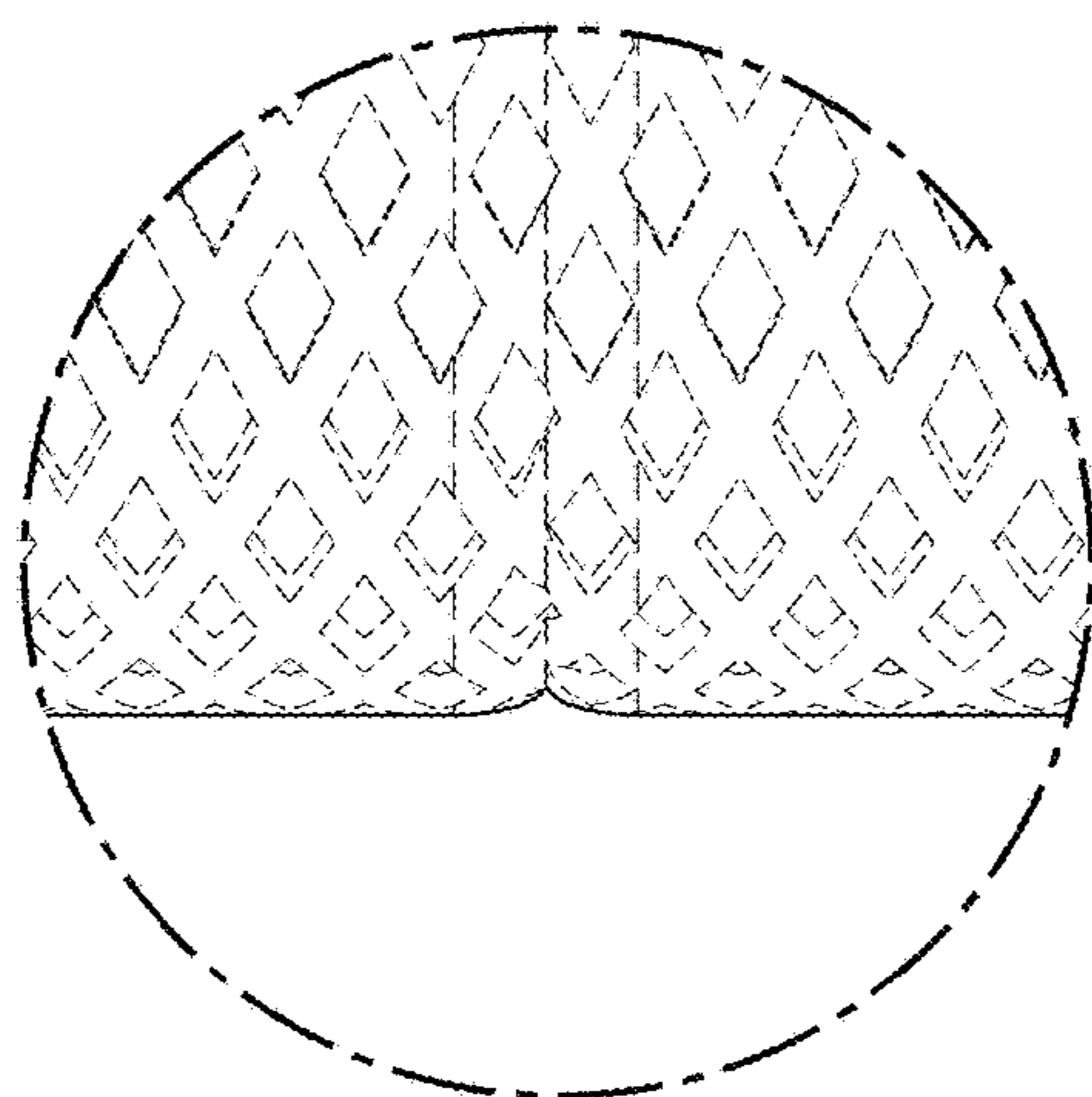


FIG. 8

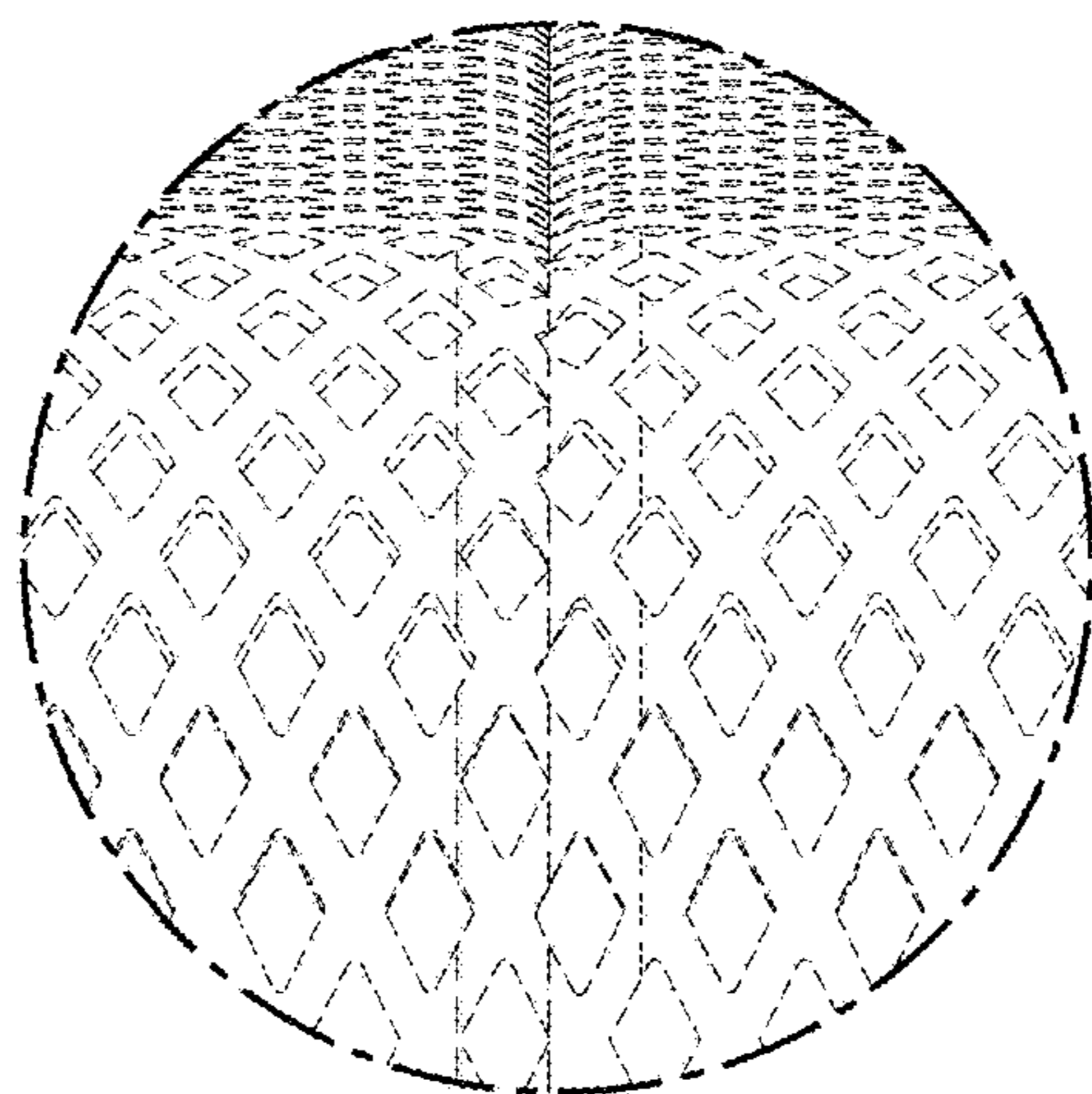


FIG. 9

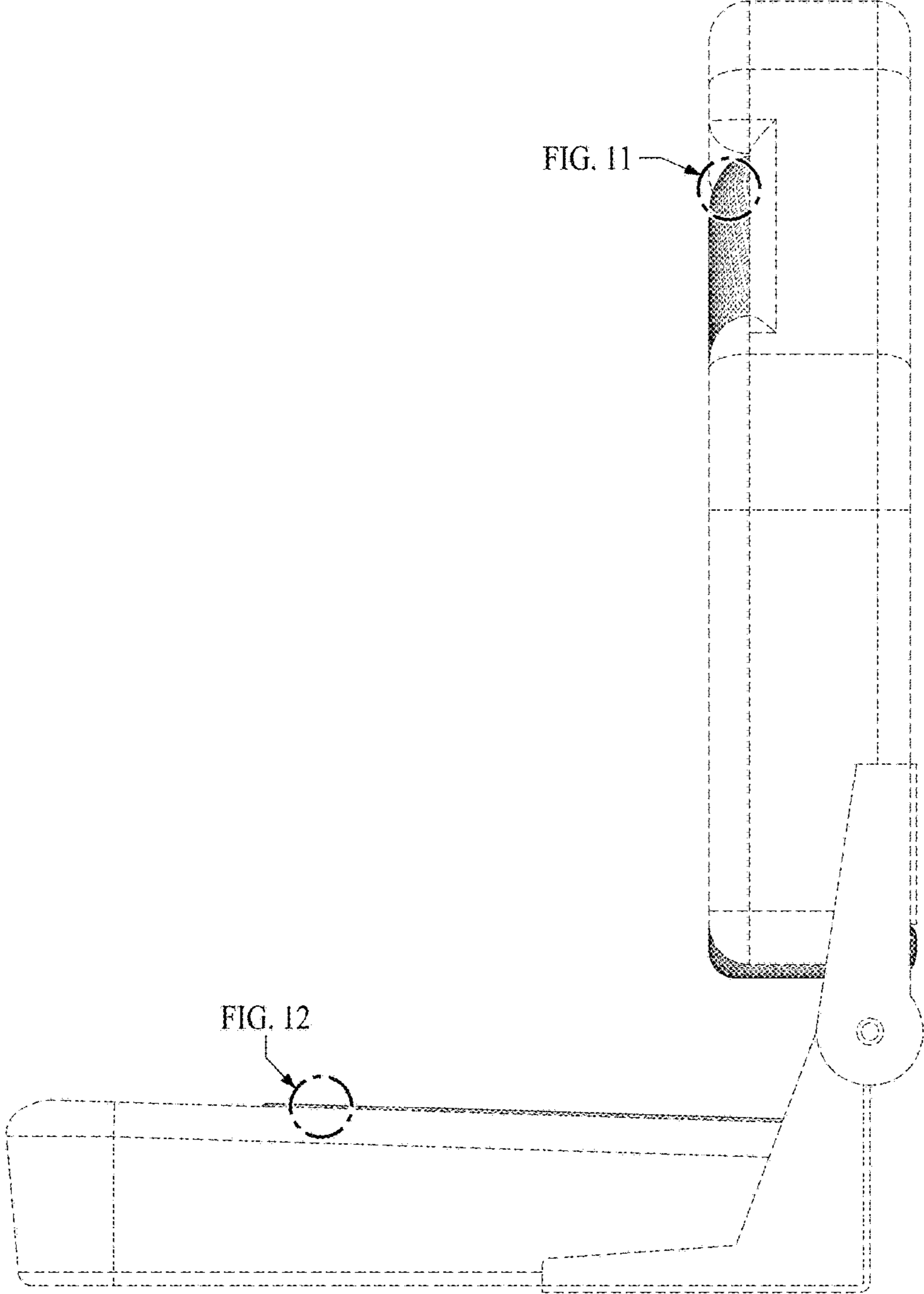


FIG. 10

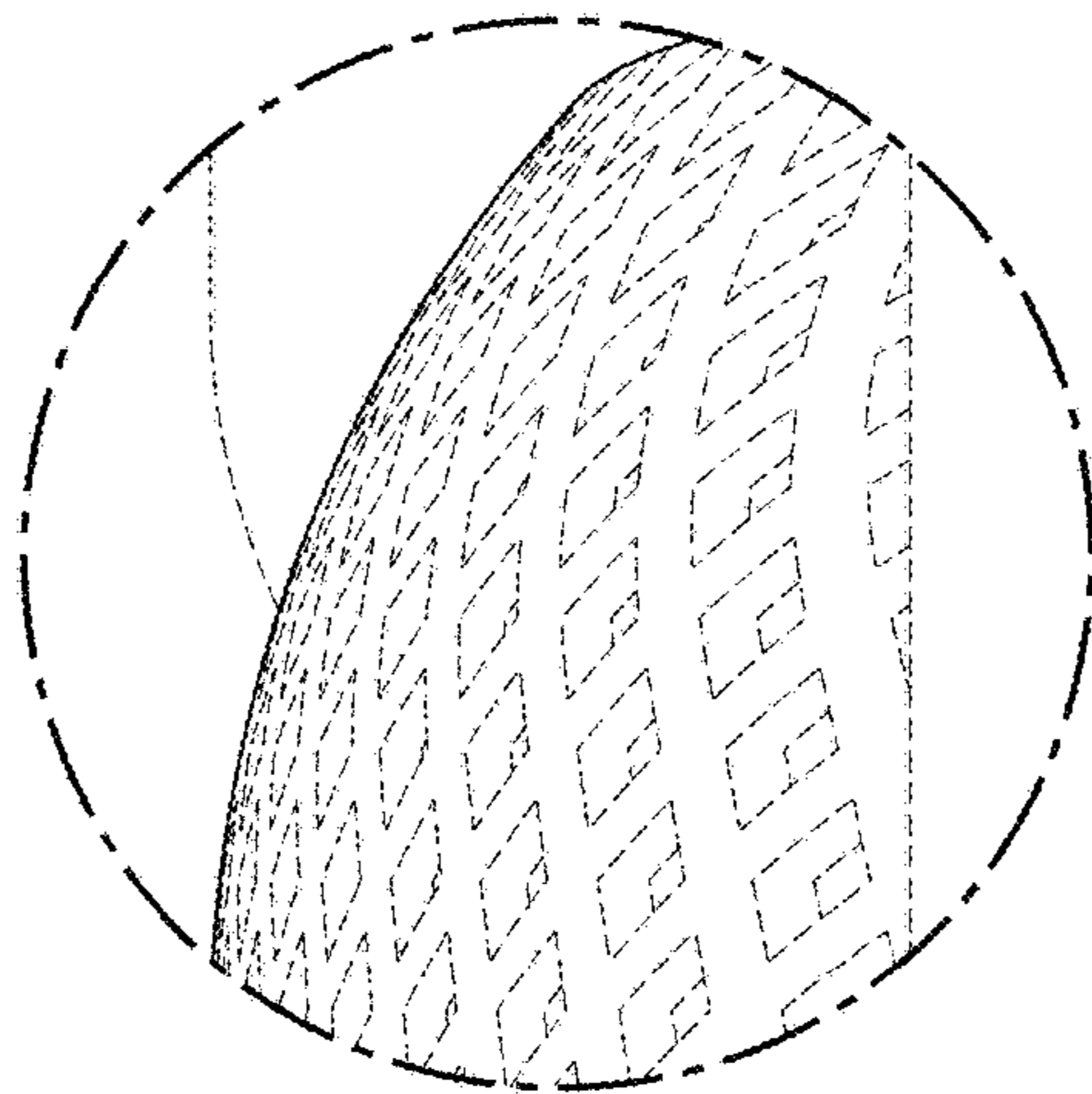


FIG. 11

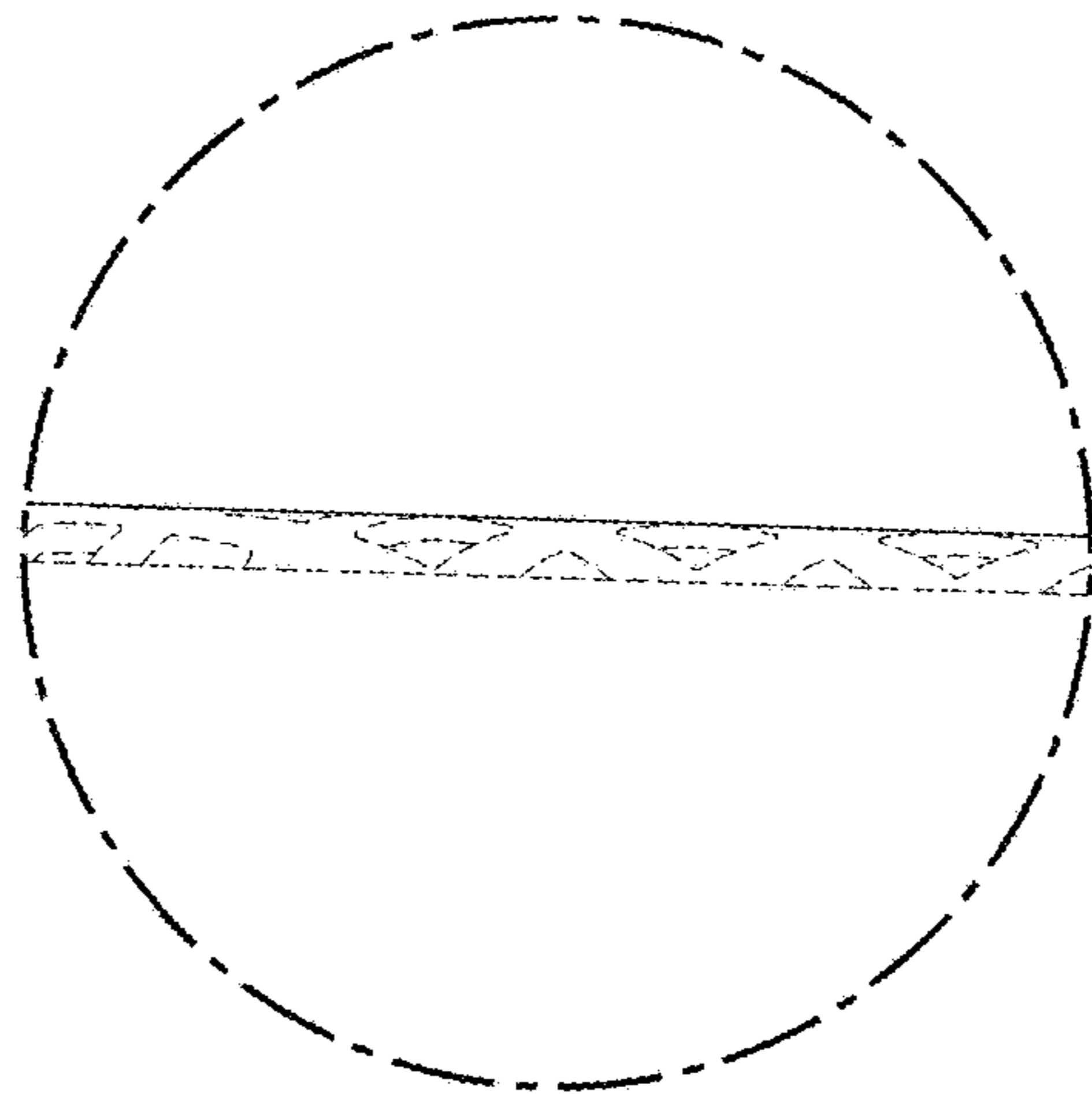


FIG. 12

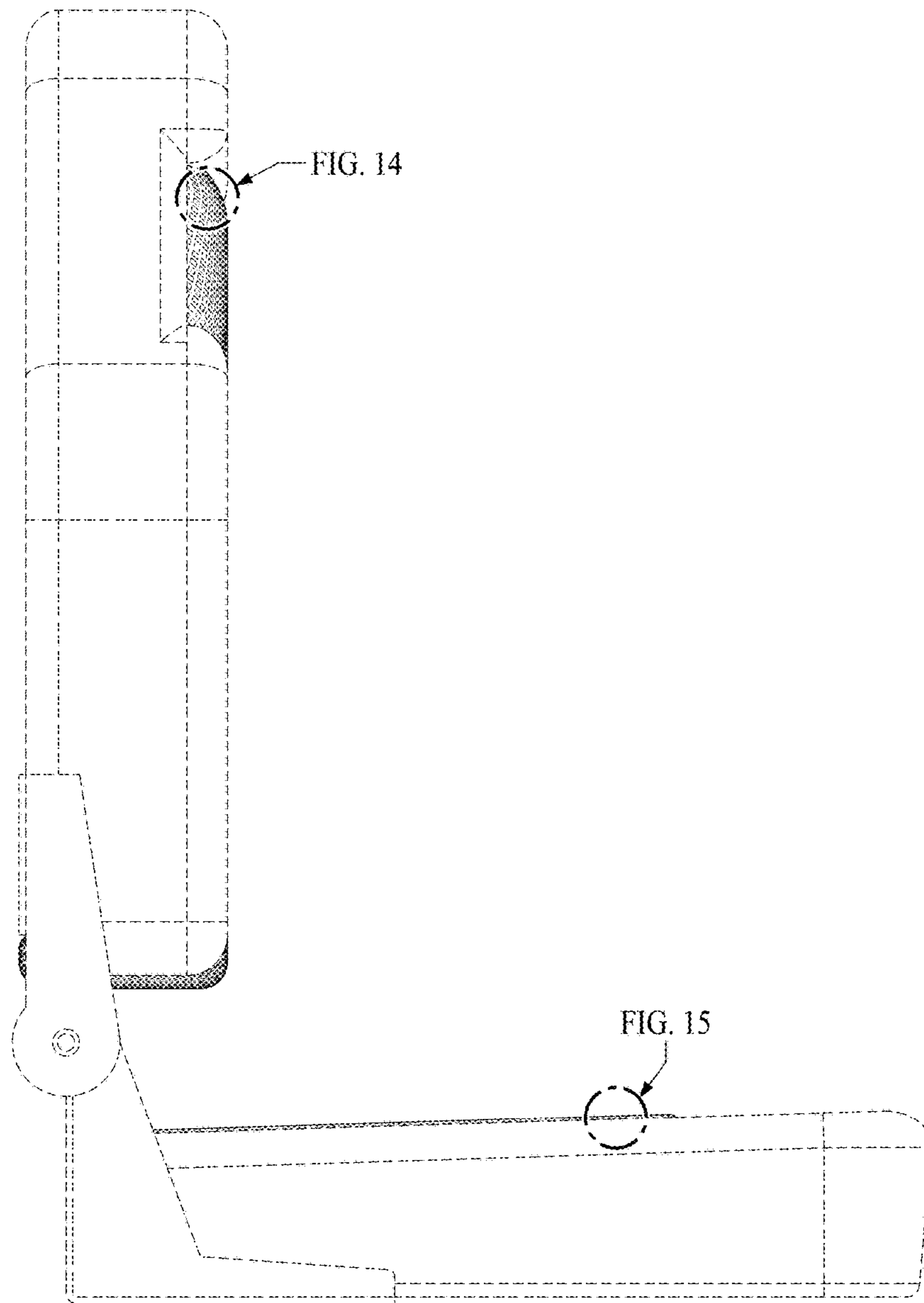


FIG. 13

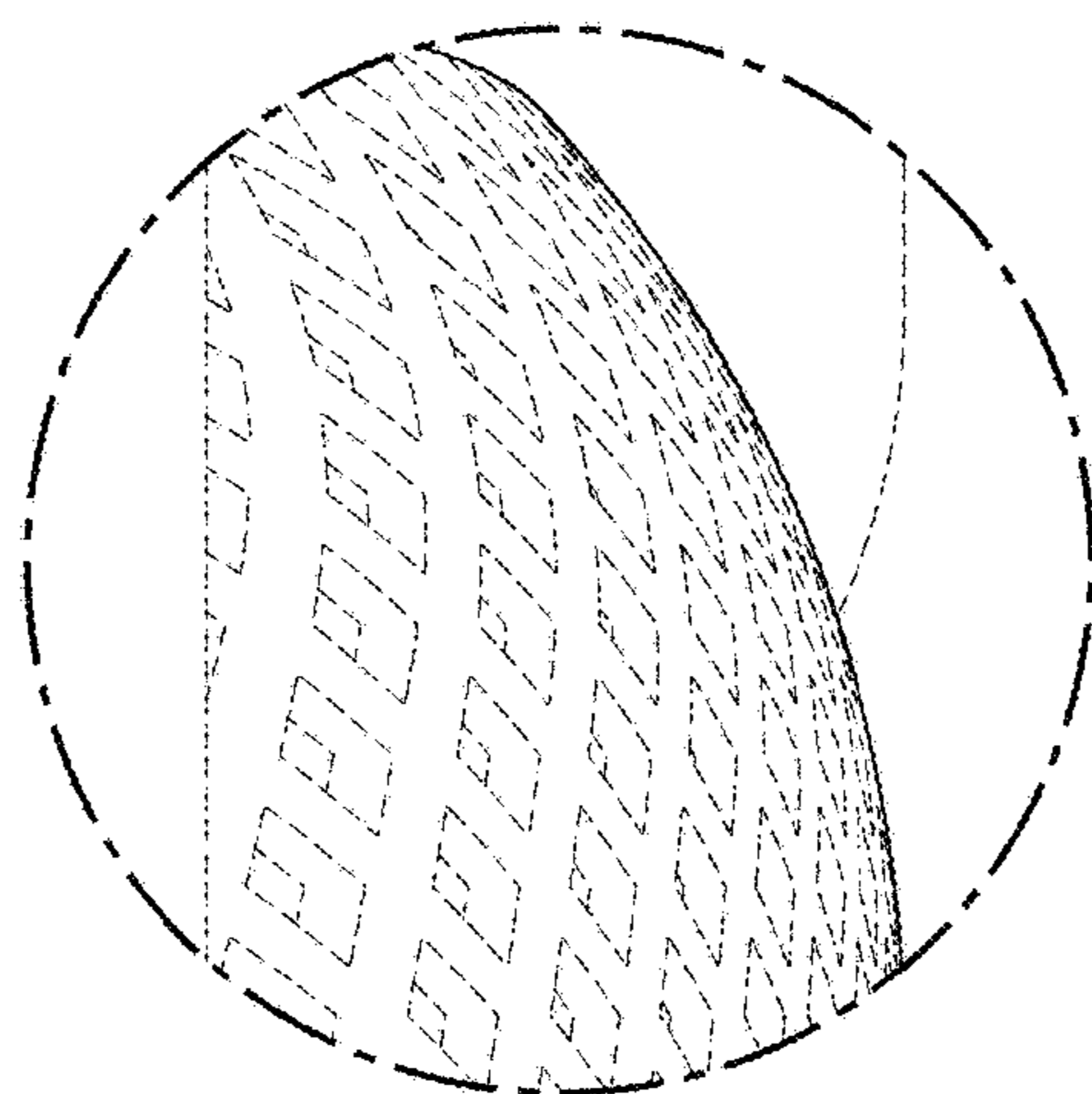


FIG. 14

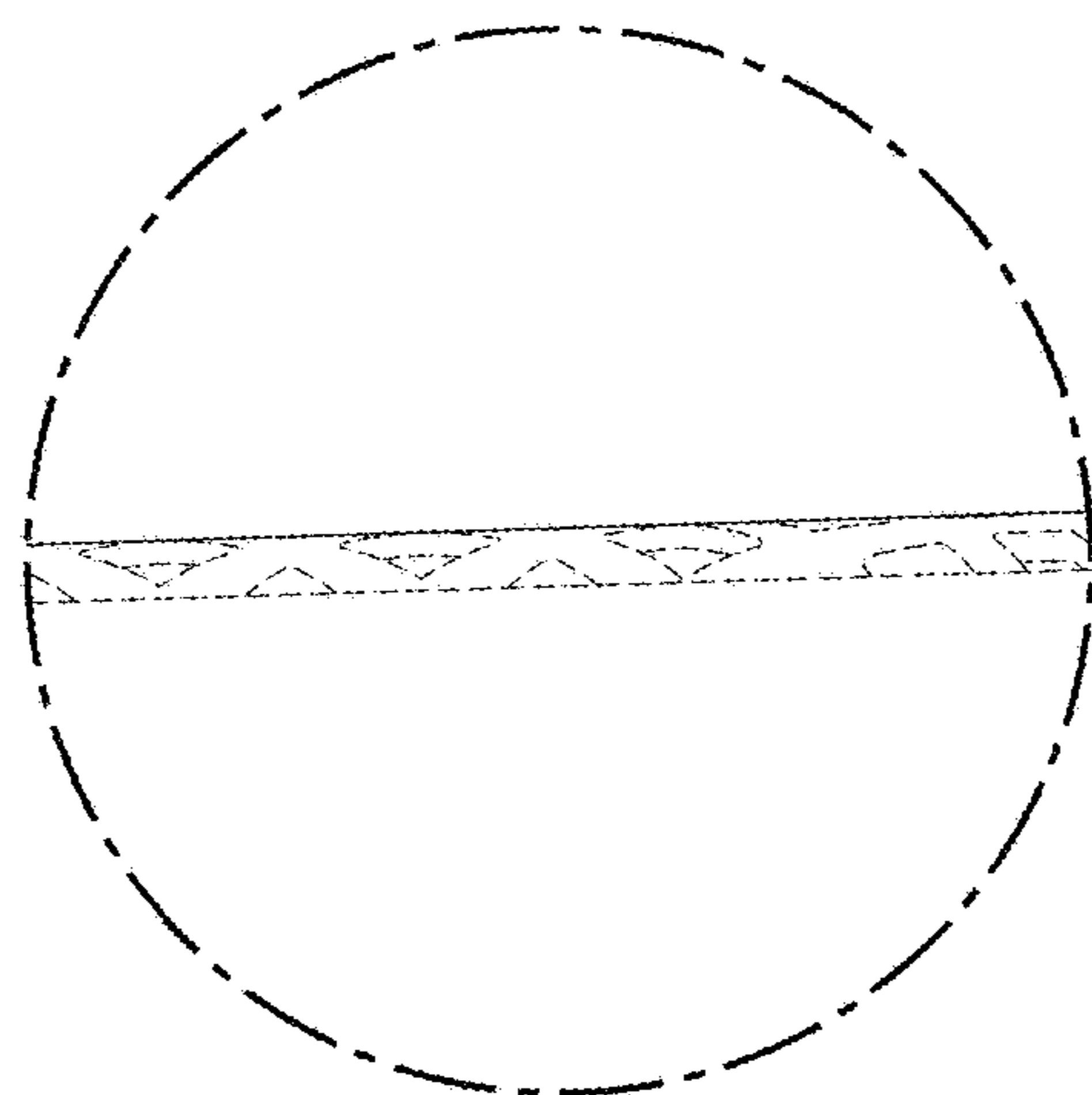


FIG. 15

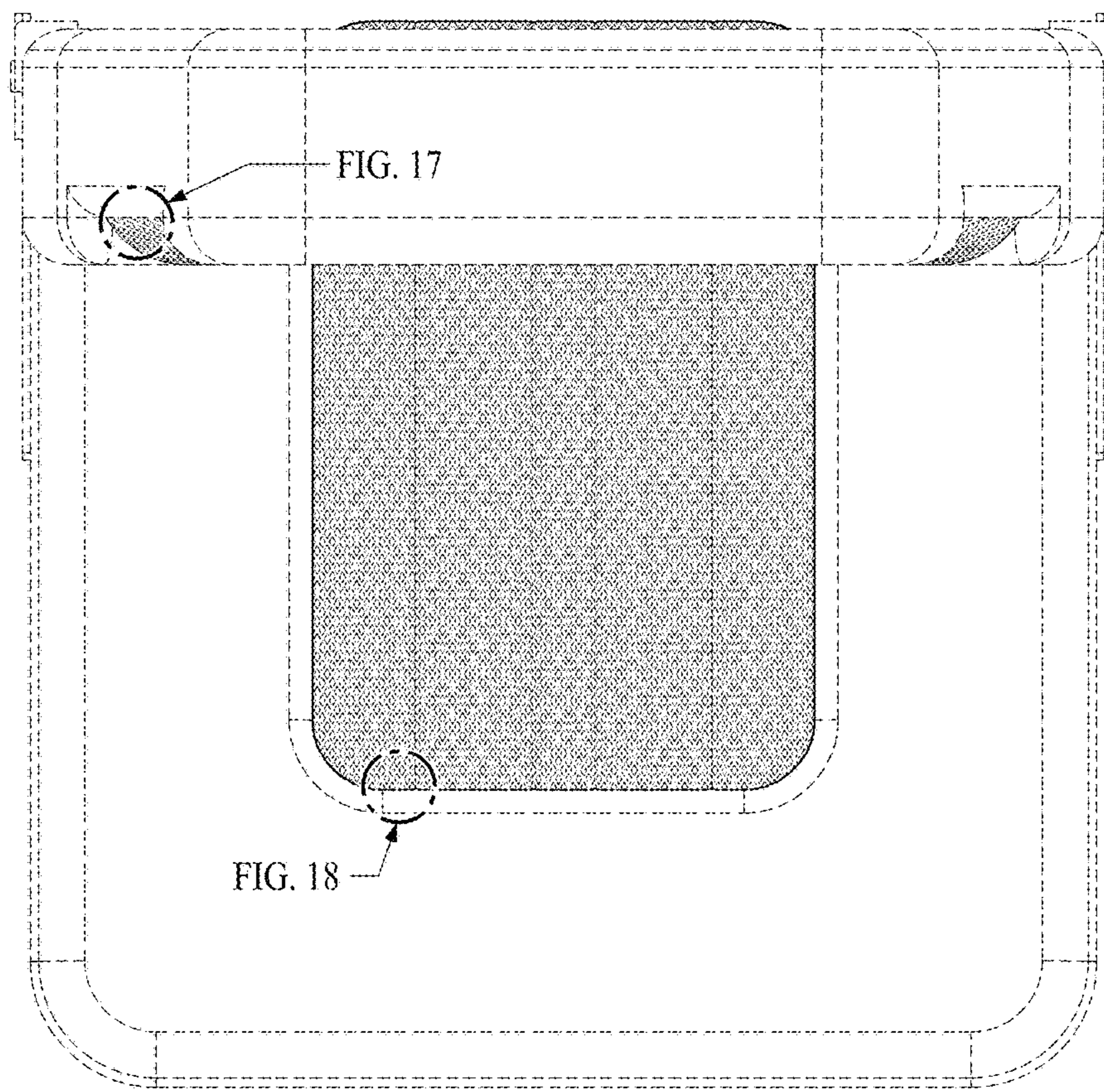


FIG. 16

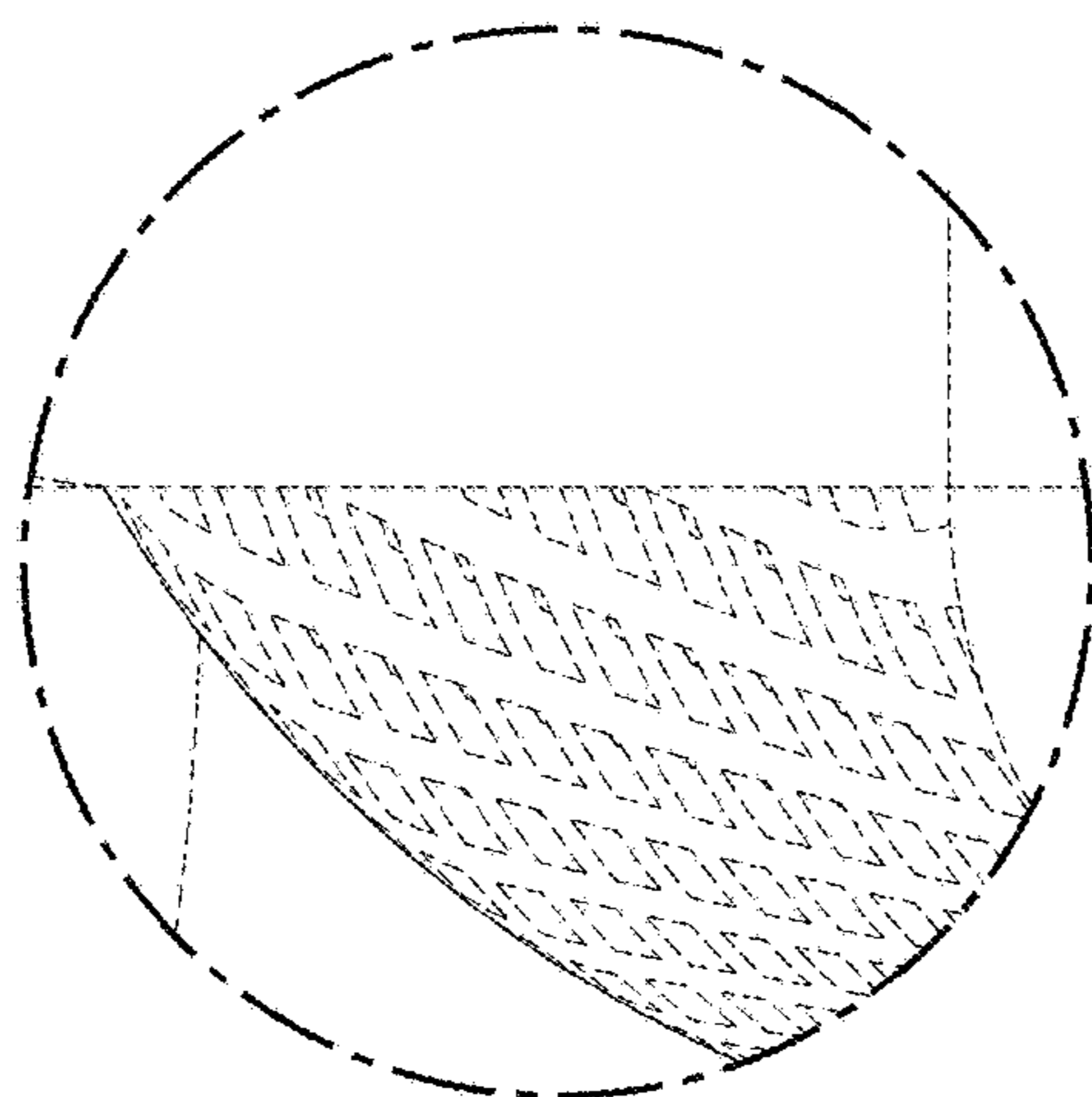


FIG. 17

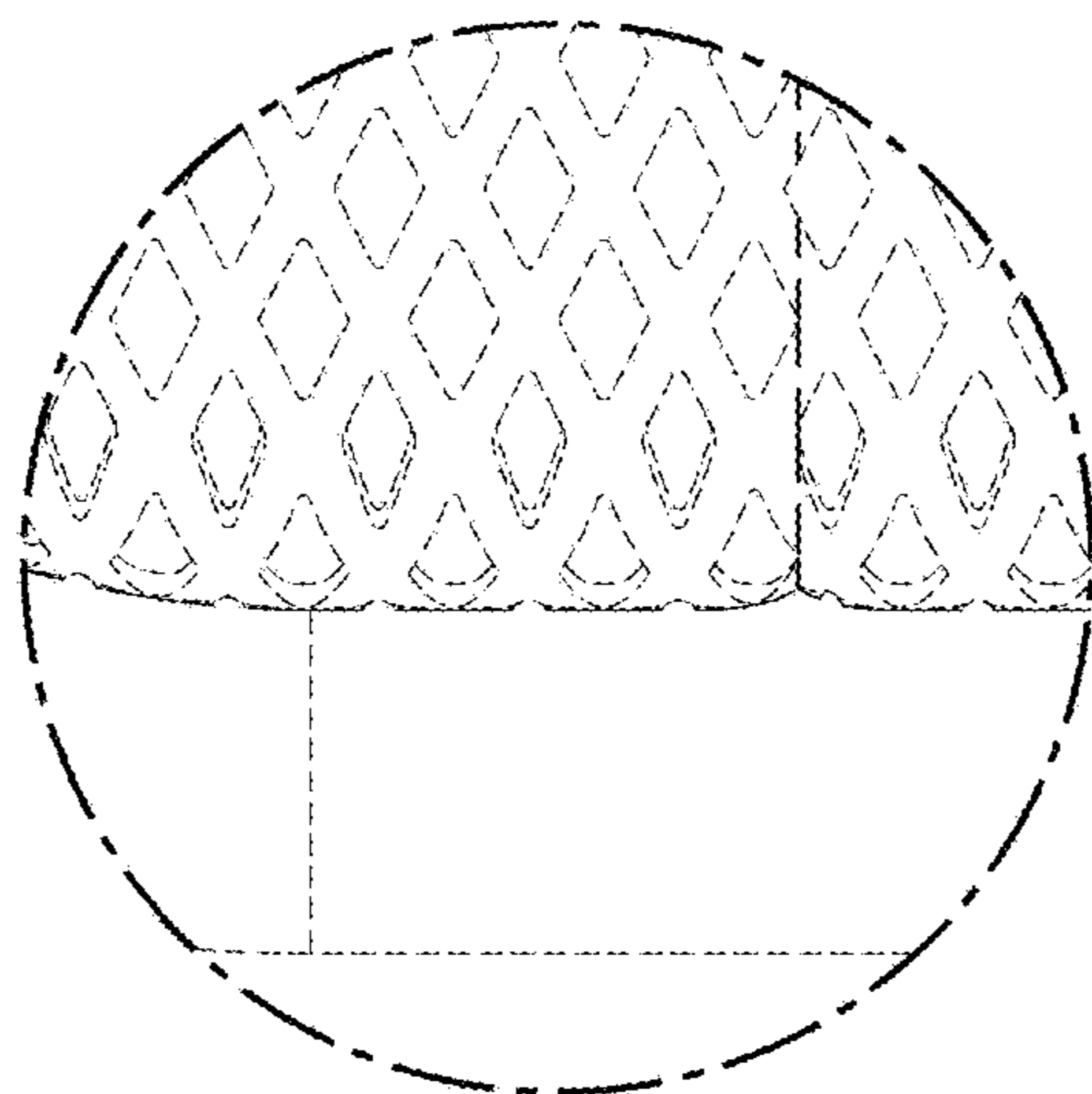


FIG. 18

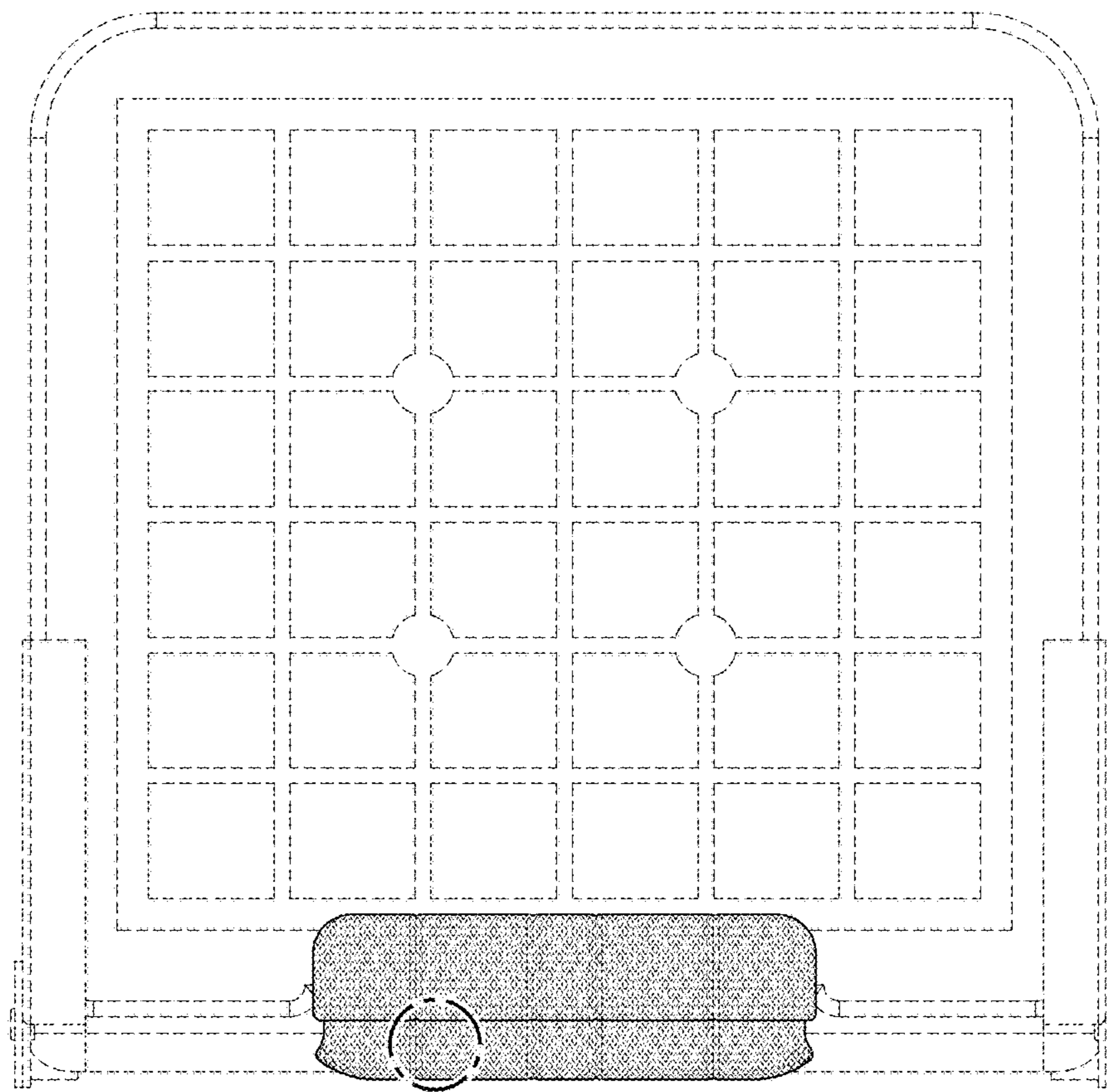


FIG. 20 — FIG. 19

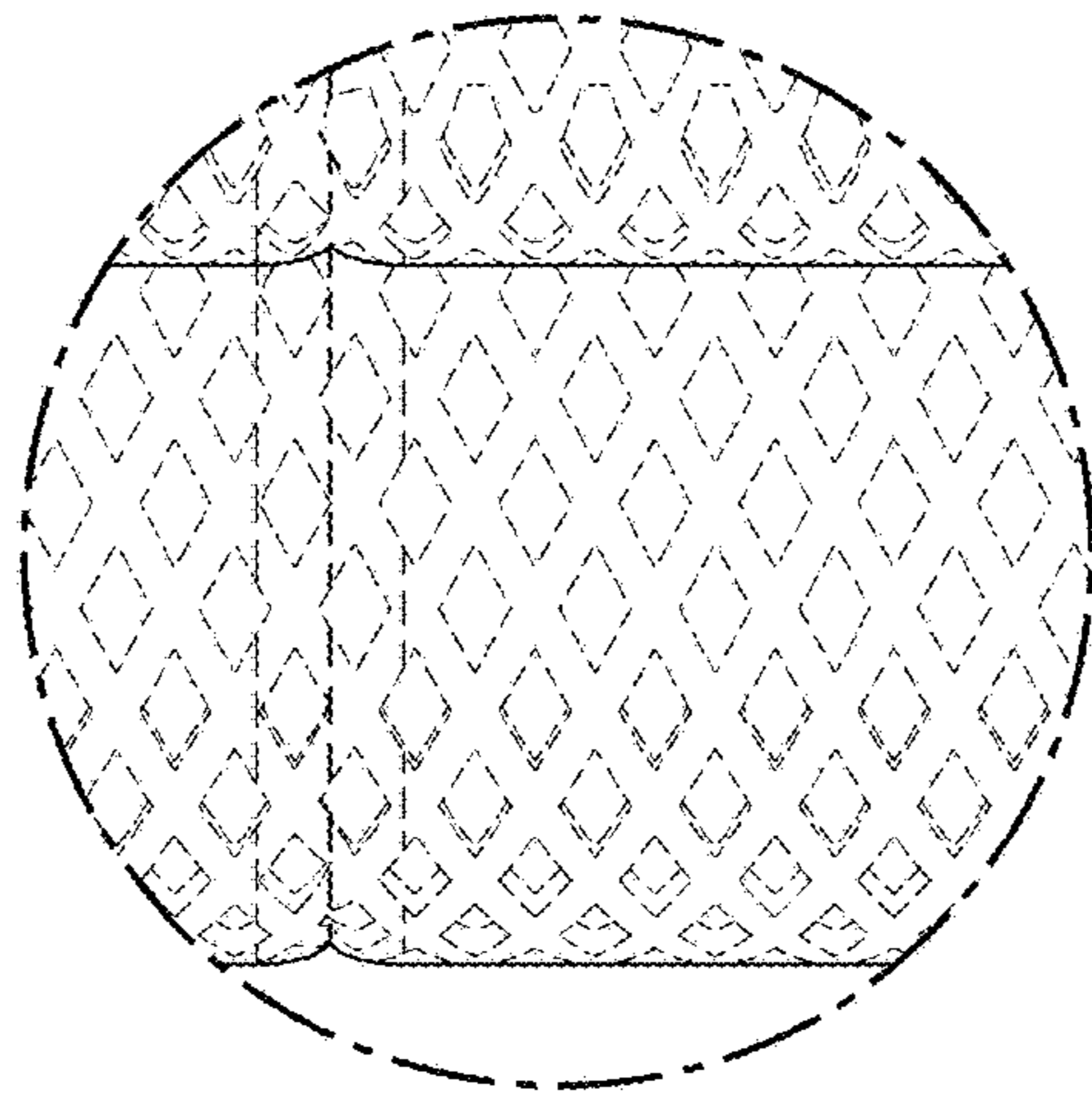


FIG. 20