



US00D859035S

(12) **United States Design Patent**
Garruto

(10) **Patent No.:** **US D859,035 S**
(45) **Date of Patent:** **** Sep. 10, 2019**

(54) **FOLDABLE CLIP-ON TOWEL**

FOREIGN PATENT DOCUMENTS

(71) Applicant: **Andrew F. Garruto**, Nutley, NJ (US)

KR 20030075294 A * 9/2003

(72) Inventor: **Andrew F. Garruto**, Nutley, NJ (US)

* cited by examiner

(**) Term: **15 Years**

Primary Examiner — R. Johnson

(21) Appl. No.: **29/637,373**

(74) *Attorney, Agent, or Firm* — Scott H. Kaliko, Esq.;
Kaliko & Associates, LLC

(22) Filed: **Feb. 16, 2018**

(57) **CLAIM**

The ornamental design for a foldable clip-on towel, as shown and described.

(51) **LOC (12) Cl.** **06-13**

DESCRIPTION

(52) **U.S. Cl.**

USPC **D6/608**

(58) **Field of Classification Search**

USPC D6/583, 608

CPC A47K 10/16; A47K 10/02; D03D
2700/0177; A47G 9/062; A47G 9/066

See application file for complete search history.

FIG. 1 is a perspective view of a foldable clip-on towel showing my new design;

FIG. 2 is a bottom view thereof;

FIG. 3 is a top view thereof;

FIG. 4 is a right side view thereof;

FIG. 5 is a left side view thereof;

FIG. 6 is a front view thereof;

FIG. 7 is a rear view thereof;

FIG. 8 is a perspective view thereof, showing the design as used;

FIG. 9 is a perspective view thereof, showing the design as completely unfolded;

FIG. 10 is a perspective view thereof, showing the design snapped and folded in half; and,

FIG. 11 is a perspective view thereof, showing the design as completely snapped and folded.

In FIGS. 1 and 6-11, the evenly spaced broken lines represent the portions of the design that form no part of the claim.

In FIG. 8, the broken lines representing the human form illustrate the design as used and form no part of the claim.

In FIGS. 9 and 10, the dot-dashed broken lines represent fold lines, which form no part of the claimed design.

(56) **References Cited**

U.S. PATENT DOCUMENTS

2,754,532 A * 7/1956 Kanehl A41B 15/00
15/209.1

5,758,373 A * 6/1998 Bloetjes A47G 9/062
2/252

D414,645 S * 10/1999 Cooper D6/608

D498,107 S * 11/2004 Sheppard, Jr. D6/608

D661,534 S * 6/2012 Mullen D6/608

D678,704 S * 3/2013 Jones D21/789

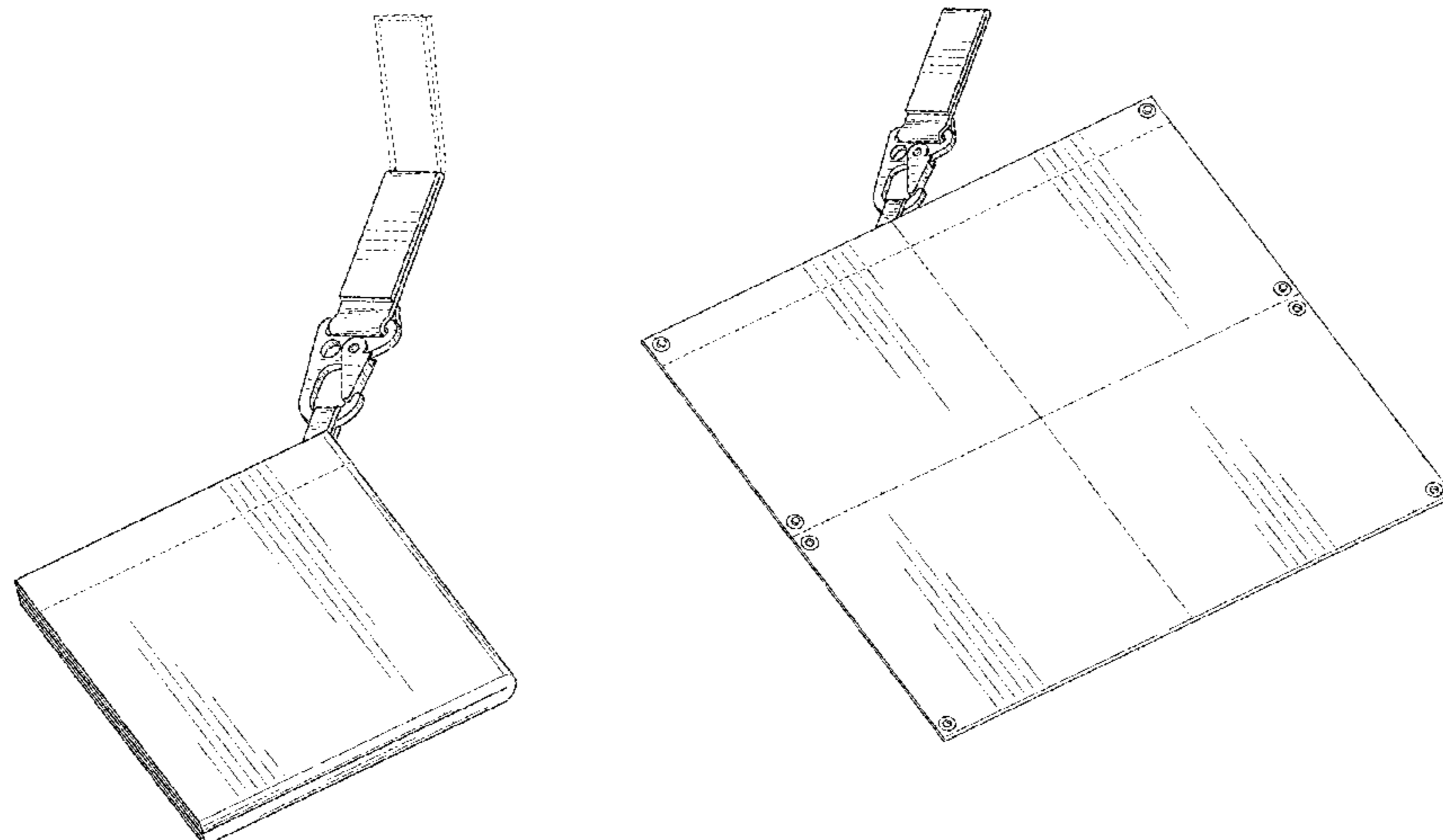
D712,625 S * 9/2014 Vasquez D2/629

D712,684 S * 9/2014 Shiheiber D6/608

2003/0233717 A1 * 12/2003 Ortega A47K 10/02
15/118

2007/0094826 A1 * 5/2007 Chandler A63B 57/60
15/209.1

1 Claim, 7 Drawing Sheets



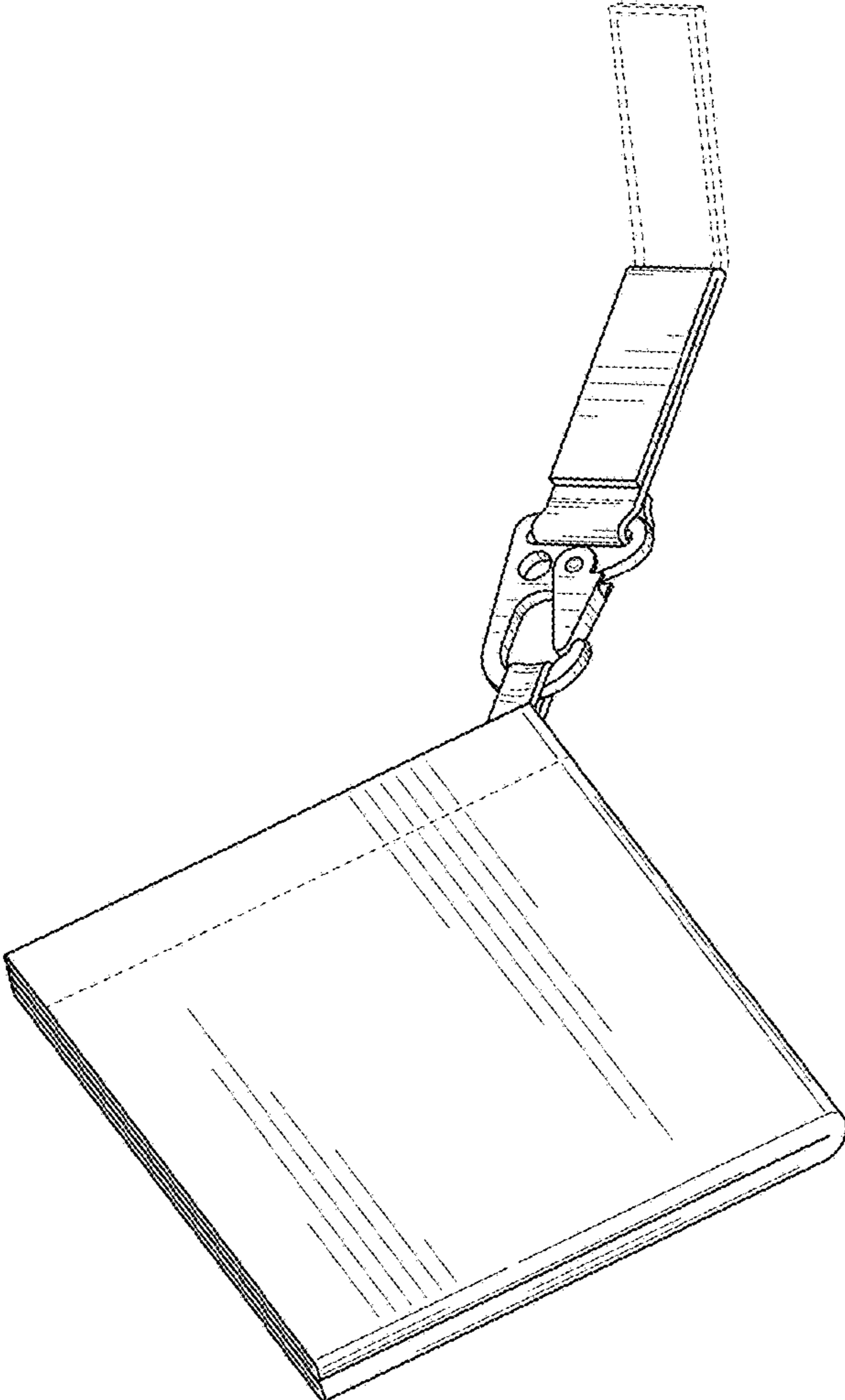


FIG. 1

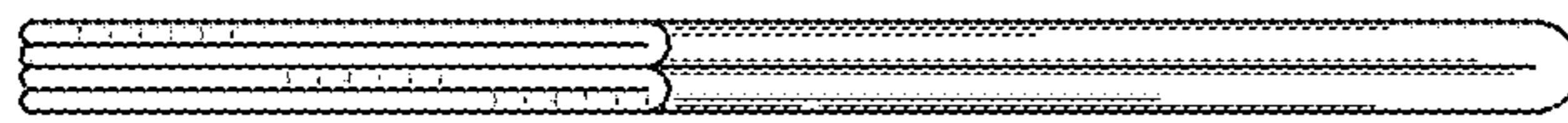


FIG. 2



FIG. 3

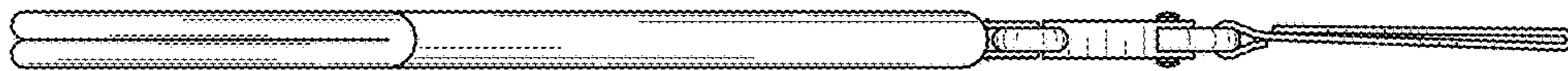


FIG. 4

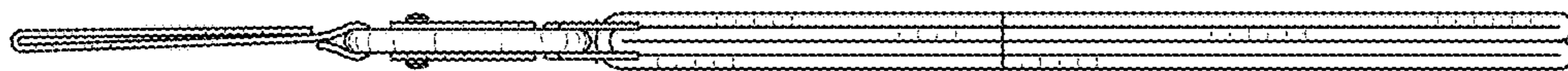


FIG. 5

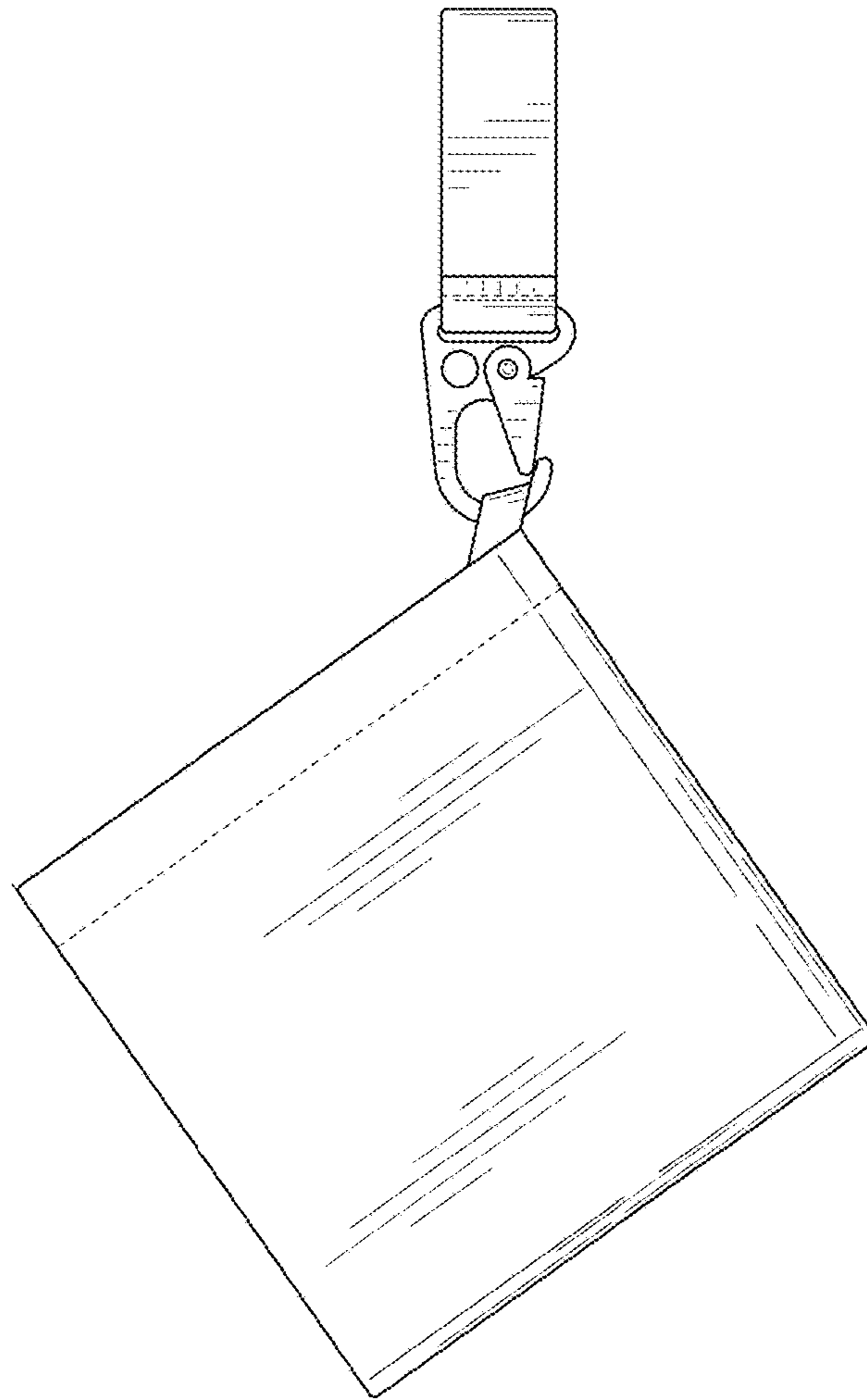


FIG. 6

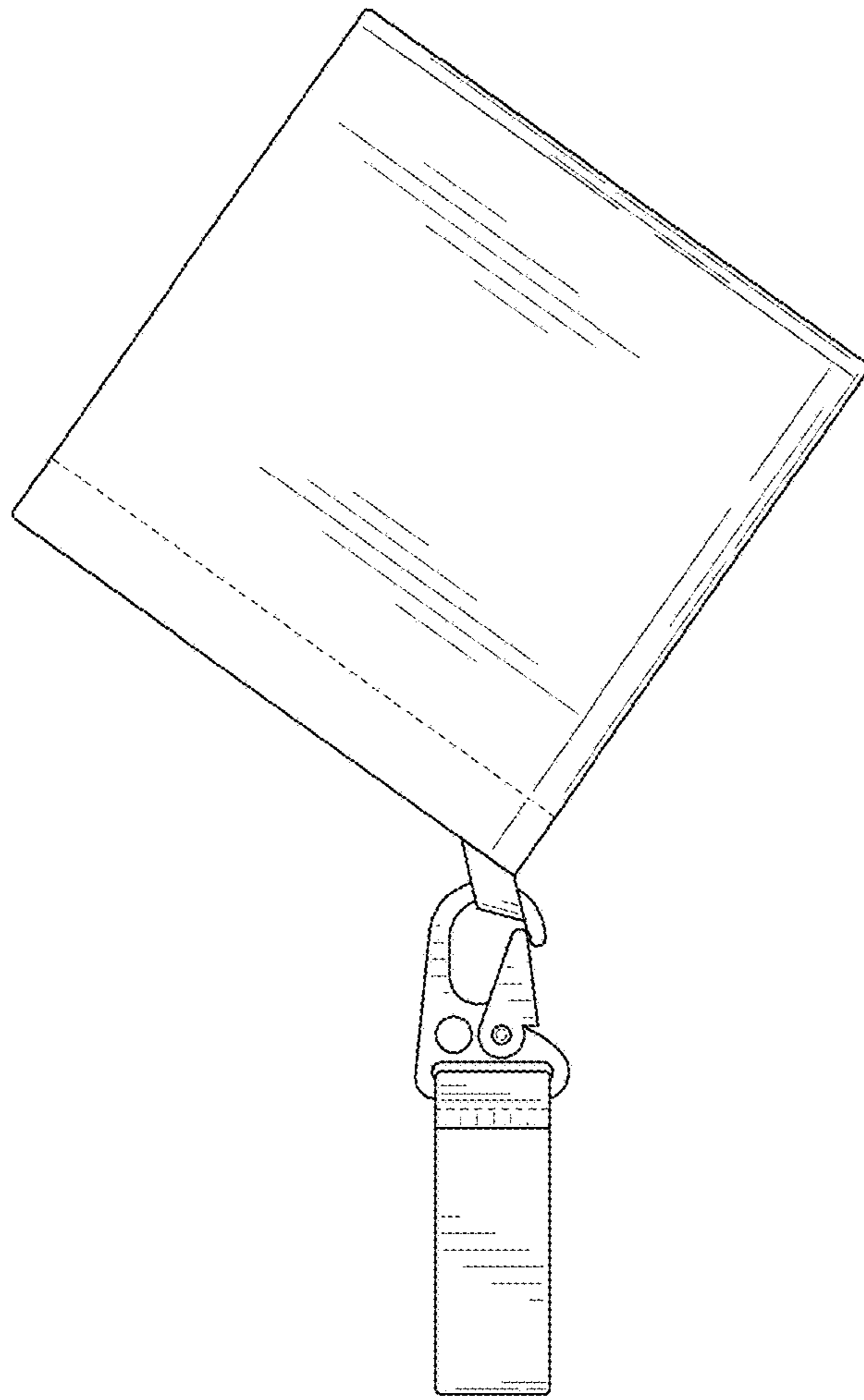


FIG. 7

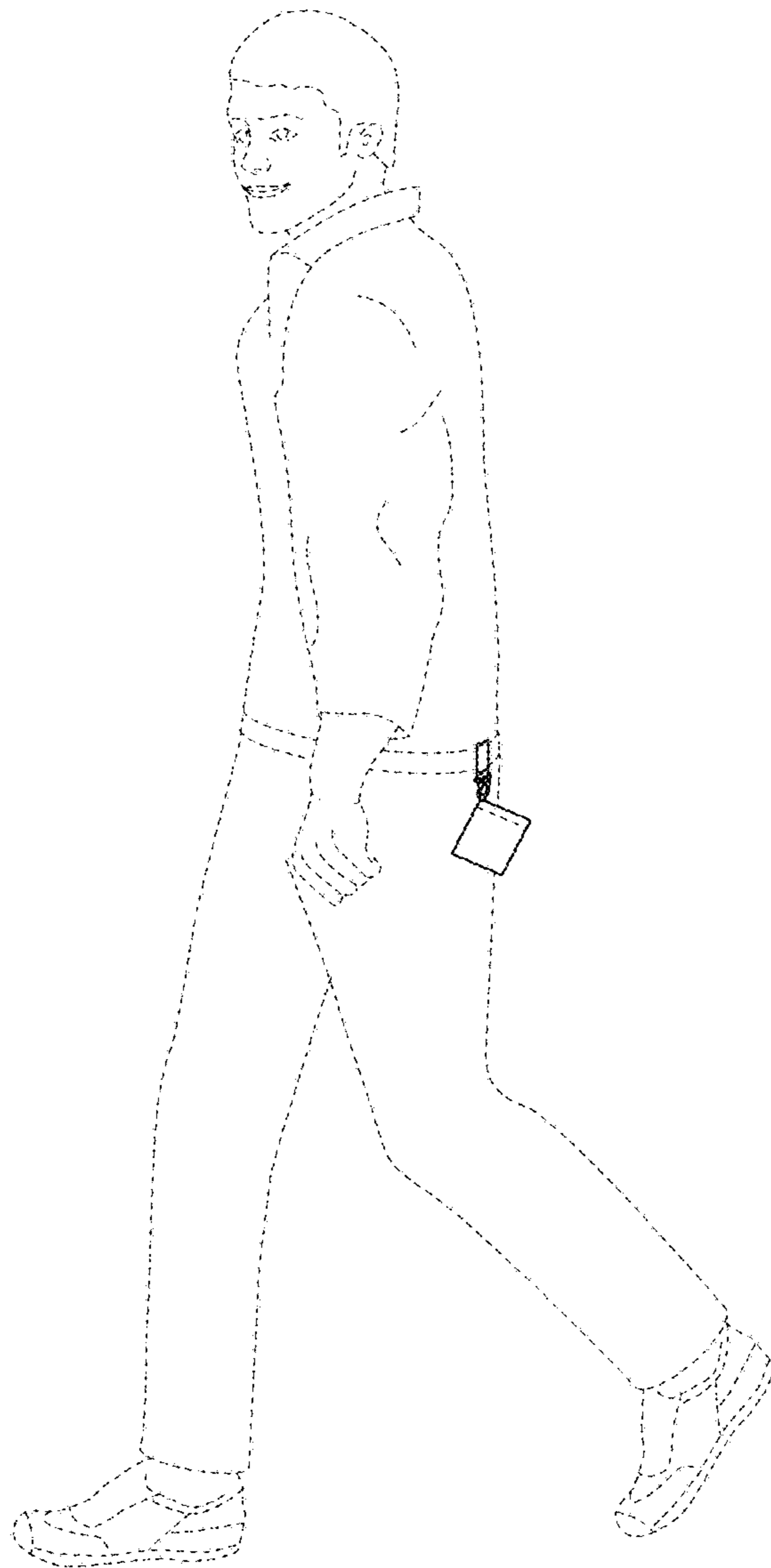


FIG. 8

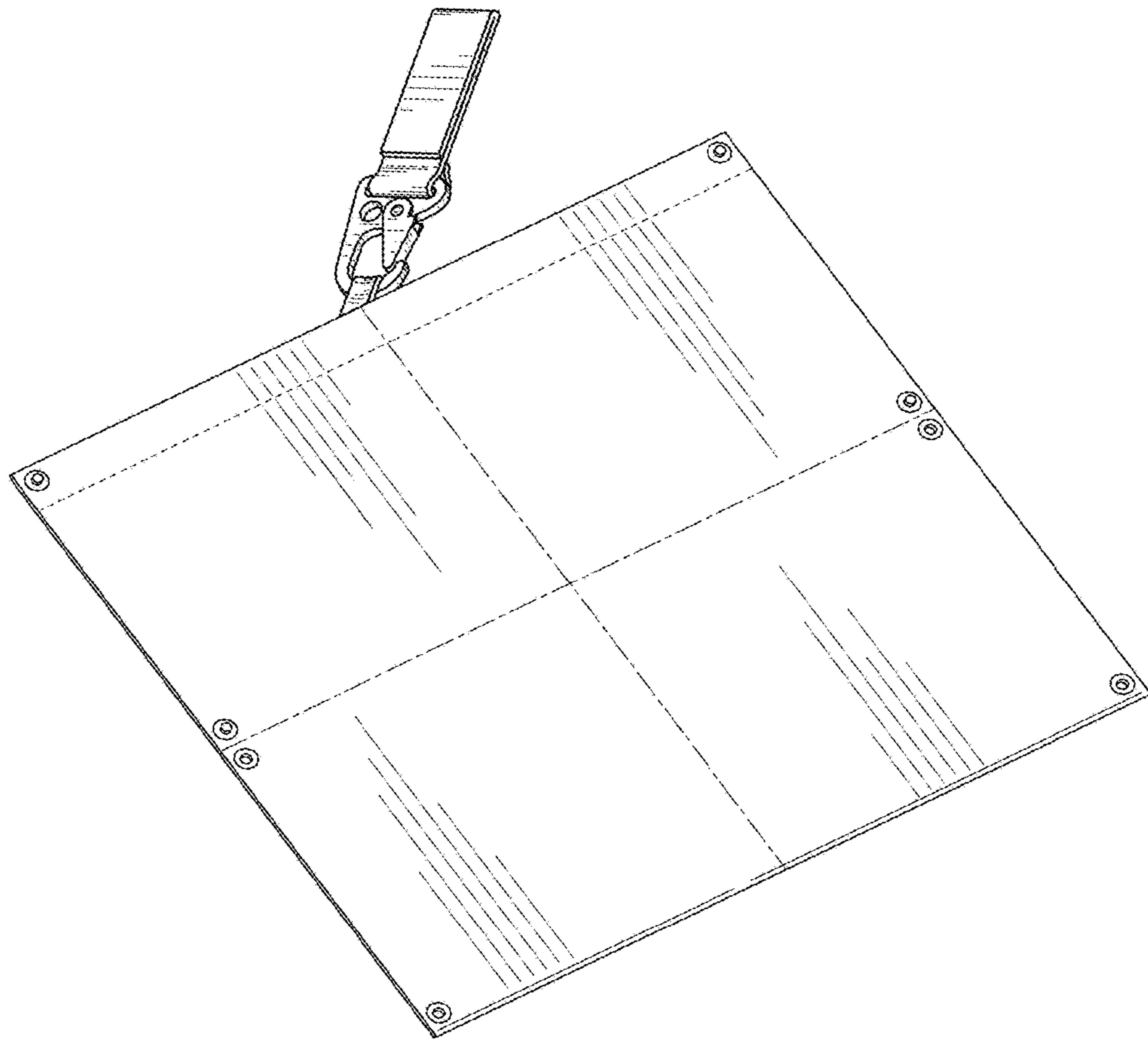


FIG. 9

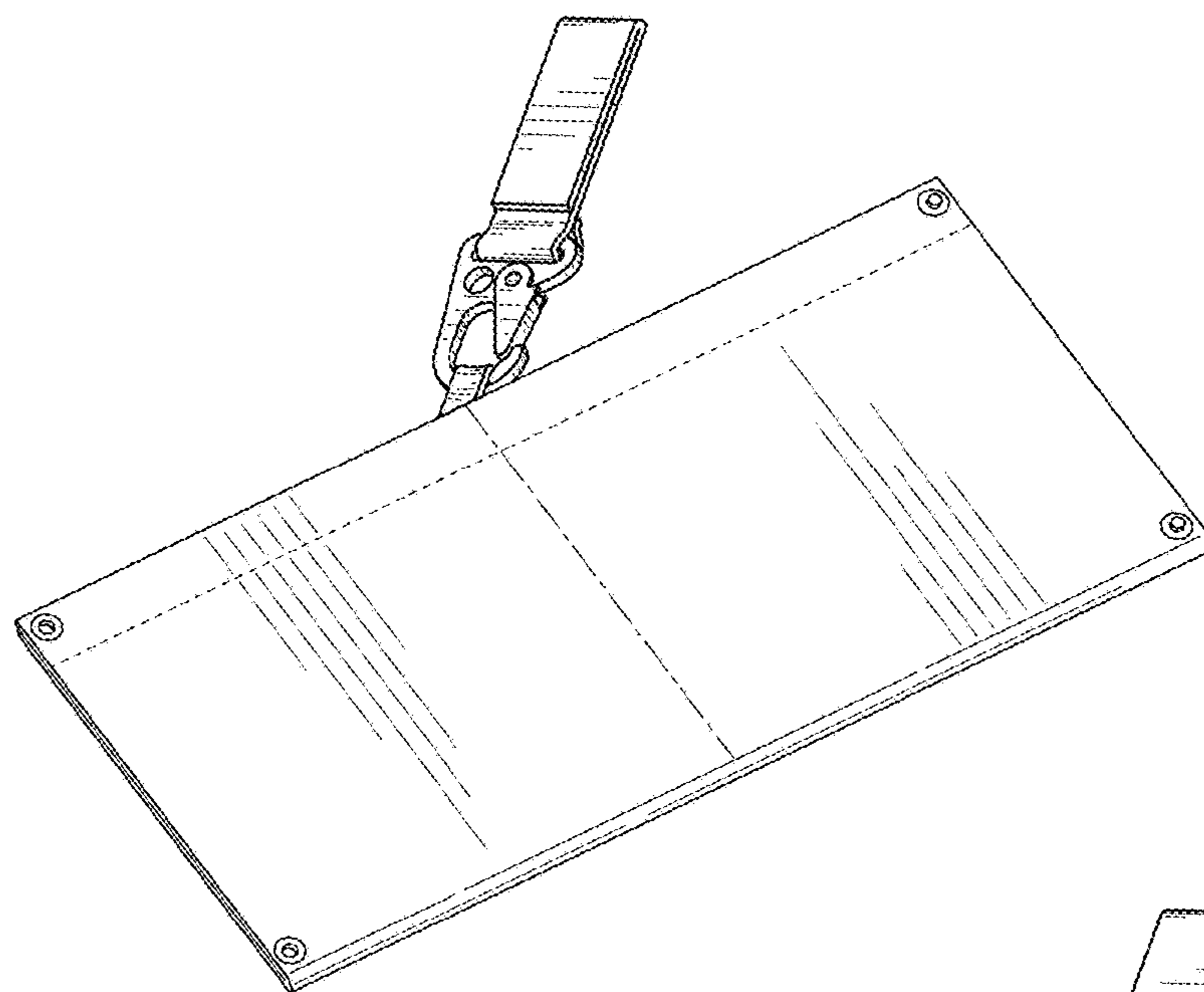


FIG. 10

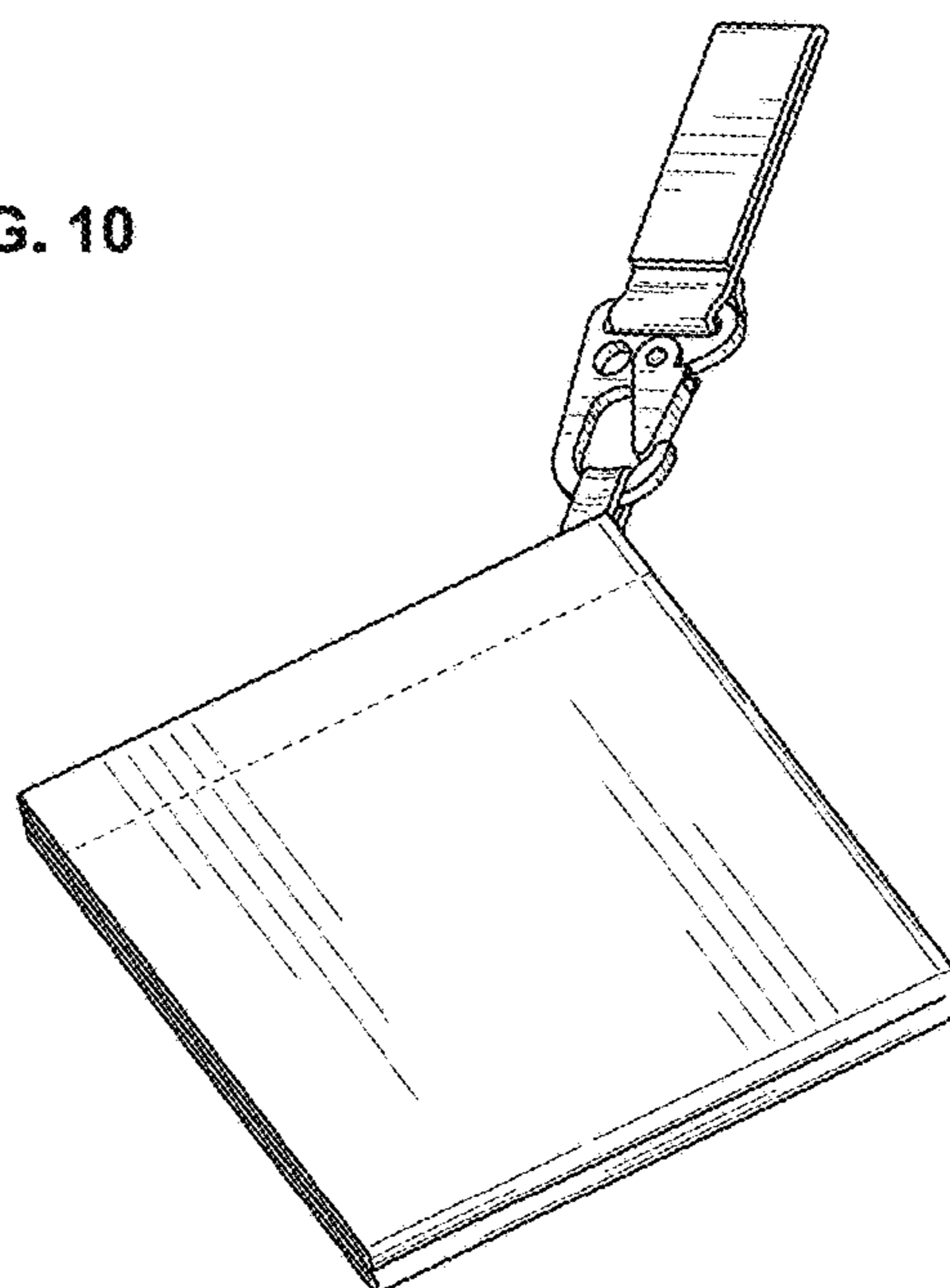


FIG. 11