



US00D859033S

(12) **United States Design Patent** (10) **Patent No.:** **US D859,033 S**
Stewart et al. (45) **Date of Patent:** **** Sep. 10, 2019**

(54) **PILLOW SET**

(71) Applicant: **Chiropractic Family Line, LLC**,
Hendersonville, TN (US)

(72) Inventors: **Clare Stewart**, Hendersonville, TN
(US); **Susan Pattee**, Indianapolis, IN
(US)

(73) Assignee: **Chiropractic Family Line, LLC**,
Hendersonville, TN (US)

(**) Term: **15 Years**

(21) Appl. No.: **29/592,960**

(22) Filed: **Feb. 3, 2017**

(51) **LOC (12) Cl.** **06-09**

(52) **U.S. Cl.**
USPC **D6/601**

(58) **Field of Classification Search**
USPC D6/333, 349, 355, 375, 388, 512, 563,
D6/564, 595, 596, 601, 604, 611, 707,
(Continued)

(56) **References Cited**

U.S. PATENT DOCUMENTS

D242,388 S * 11/1976 Castleberry D24/183
5,018,231 A * 5/1991 Wang A47G 9/10
5/636

(Continued)

OTHER PUBLICATIONS

Chiropractic Pregnancy Pillow, announced 2016, [online], [site visited Oct. 14, 2018]. Available from Internet, <URL: <https://chiropracticpregnancypillows.com/pages/pregnancy-pillows>> (Year: 2016).*

(Continued)

Primary Examiner — Michelle E. Wilson

Assistant Examiner — Sanjeev Paul

(74) *Attorney, Agent, or Firm* — Brannon Sowers & Cracraft

(57) **CLAIM**

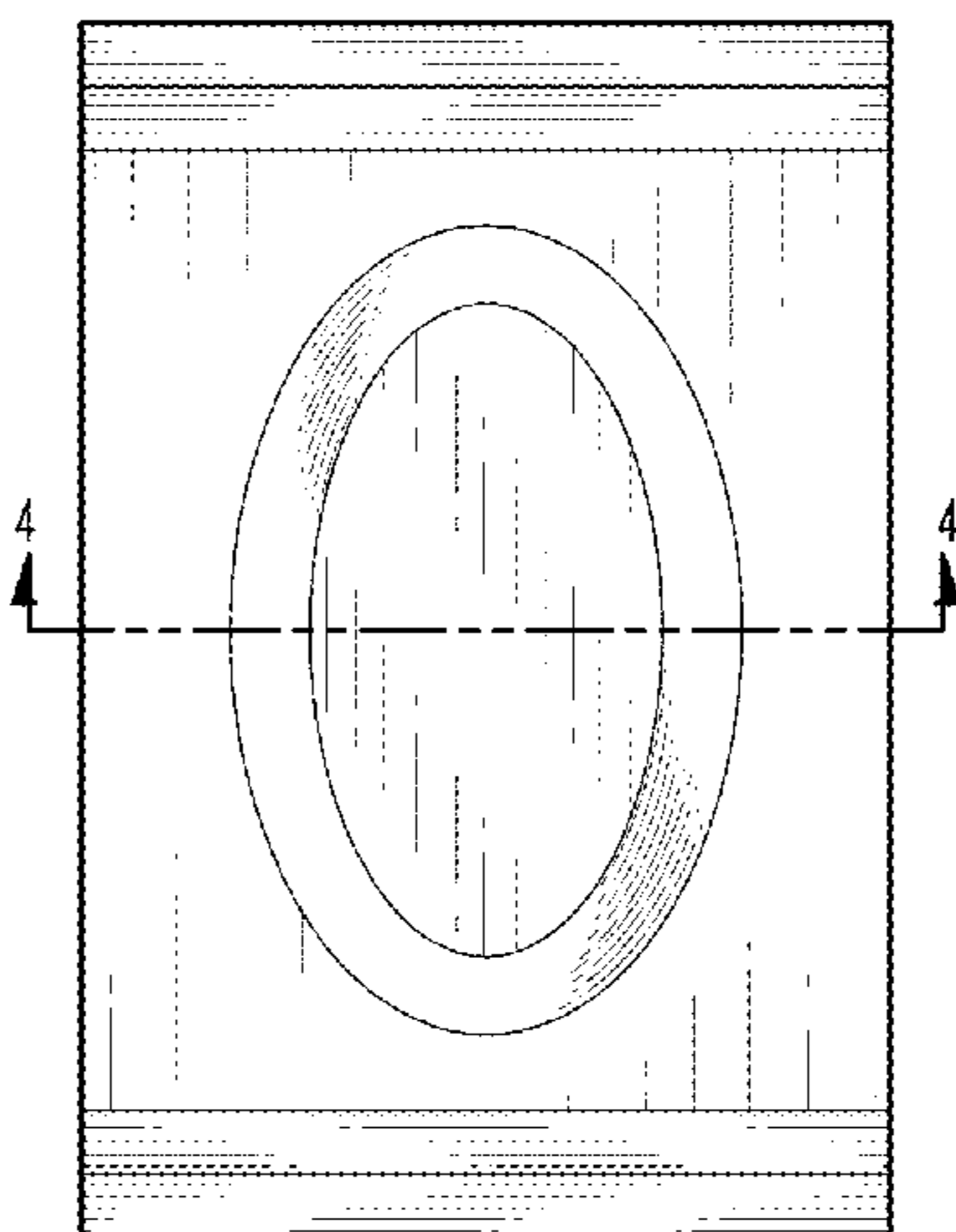
The ornamental design for a pillow set, as shown and described.

DESCRIPTION

FIG. 1 is top plan view of a first embodiment of a pillow set having a polygonal shape and a top section, a middle section, and a base section having a first configuration;
FIG. 2 is a bottom plan view of the first embodiment;
FIG. 3 is a first side elevational view of the first embodiment;
FIG. 4 is a side cross-sectional view of the first embodiment;
FIG. 5 is an exploded side view of the first embodiment;
FIG. 6 is a second side elevational view of the first embodiment;
FIG. 7 is an exploded perspective view of the first embodiment;
FIG. 8 is an exploded perspective view of a second embodiment of the pillow set similar to the first embodiment but having a base of base section with alternative configuration.
FIG. 9 is a top plan view of the third embodiment of the pillow set that is similar to the first embodiment but having some sections formed integrally with one another.
FIG. 10 is a bottom plan view of the third embodiment;
FIG. 11 is a first side elevational view of the third embodiment;
FIG. 12 is a side cross-sectional view of the third embodiment;
FIG. 13 is a second side elevational view of the third embodiment;
FIG. 14 is a perspective view of the third embodiment; and,
FIG. 15 is a perspective view of a fourth embodiment of the pillow set, the fourth embodiment being similar to the third embodiment but having a base section with alternative configuration.

The broken lines in the Figures show environment or unclaimed boundaries and form no part of the claimed design

1 Claim, 5 Drawing Sheets



(58) **Field of Classification Search**

USPC D6/715, 716, 716.1; D24/183–185, 234;
 D21/803, 804, 805, 809; 5/401, 420,
 5/600, 630, 631, 632, 633, 635, 636, 638,
 5/639, 646, 652, 652.1, 655, 703, 730;
 297/401, 420, 600, 630, 631, 632, 633,
 297/635, 636, 638, 639, 646, 652, 652.1,
 297/655, 703, 730
 CPC A47G 9/10; A47G 9/1009; A47G 9/1027;
 A47G 9/1045; A47G 9/1063; A47G
 9/1072; A47G 9/00; A47G 9/02; A47G
 9/0207; A47G 9/0215; A47G 9/0223;
 A47G 9/023; A47G 9/0238; A47G
 9/0246; A47G 9/0253; A47G 9/0261;
 A47G 2009/001; A47G 2009/002; A47G
 2009/003; A47G 2009/005; A47G
 2009/006; A47G 9/06; A47G 9/062;
 A47G 9/066; A47G 9/068; A47G 9/08;
 A47G 9/0284; A47G 9/0292; A47G 9/04
 See application file for complete search history.

(56) **References Cited**

U.S. PATENT DOCUMENTS

5,105,489 A * 4/1992 Meyer A61F 5/01
 297/452.23
 5,339,471 A * 8/1994 Lanzara A47C 20/025
 5/110
 D376,945 S * 12/1996 Bonaddio 5/420
 6,694,551 B1 * 2/2004 Garrido A47C 20/026
 5/638

D500,622 S * 1/2005 Owen D6/596
 D509,693 S * 9/2005 Wiltberger D6/601
 7,114,776 B1 * 10/2006 Wiltberger A47C 7/029
 297/284.5
 D592,753 S * 5/2009 Jacinto D24/183
 D642,278 S * 7/2011 Sharps D24/184
 D655,559 S * 3/2012 Cheng D6/601
 D656,356 S * 3/2012 Cheng D6/601
 D710,621 S * 8/2014 Goldstein D6/349
 D718,074 S * 11/2014 Savolainen D6/601
 D731,209 S * 6/2015 Fux D6/601
 D732,312 S * 6/2015 Tiffin D6/601
 D756,687 S * 5/2016 Durkin D6/601
 D781,076 S * 3/2017 Stokes D6/601
 2018/0263375 A1 * 9/2018 Stewart A47C 20/025

OTHER PUBLICATIONS

Belly Pillow; www.belloypillow.com/content/belly-pillow-set; Accessed Mar. 3, 2016.
 The Sophie Prone Pregnancy Cushion (Professional Version); <https://www.amazon.com/Sophie-Pregnancy-Cushion-Professional-Version/dp/B005E1F7F8>; Accessed Mar. 3, 2016.
 The Preggo Pillow DRS Version; <http://chirocity.com/Pregnancy-Pillow-Pregnancy-Pillows-Drs-Version.aspx>; Accessed Mar. 3, 2016.
 Massage Therapy Model-Pregnancy Plus Pillows; <http://www.chirovantage.ca/expecting-moms/new-massage-therapy-model-pregnancy-plus-pillows-2pc-set/>; Accessed Mar. 3, 2016.
 Handmade Preggo Pillows; <http://www.optimizedlivinginstitute.com/pregopillow>; Accessed Mar. 3, 2016.
 Zenith Pregnancy Pillow; <http://chirocity.com/massagingbathpillow.aspx>; Accessed Mar. 3, 2016.

* cited by examiner

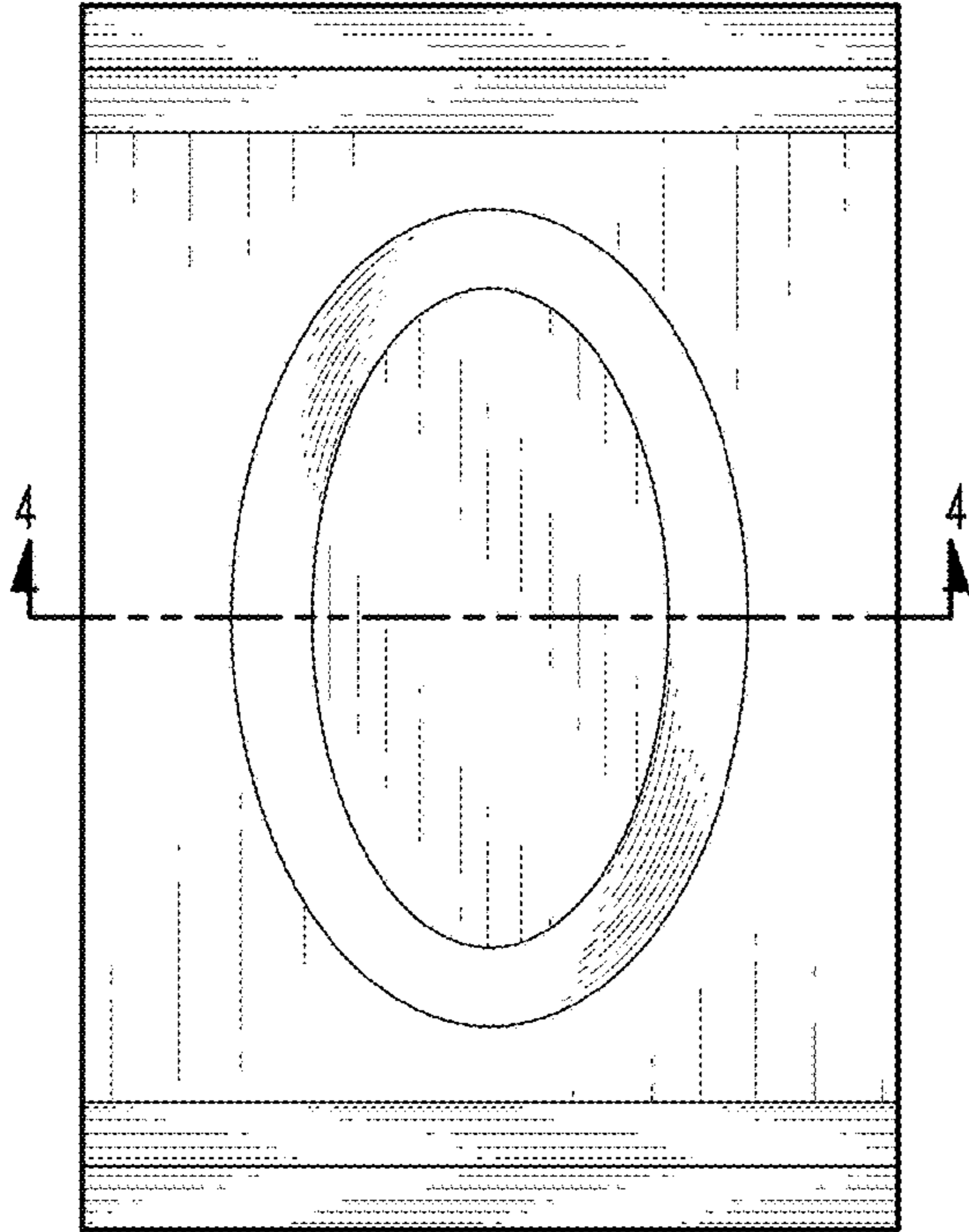


Fig. 1

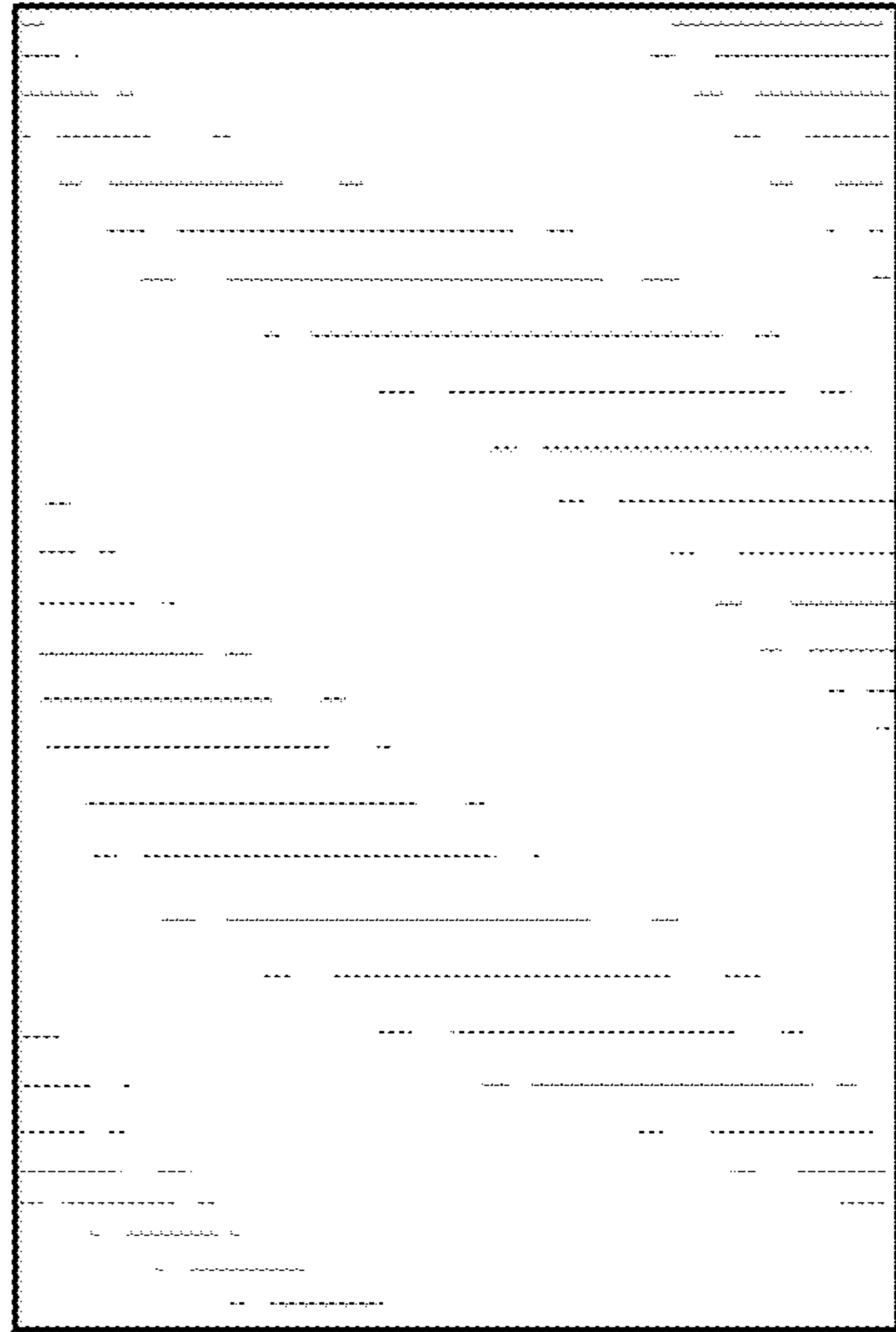


Fig. 2

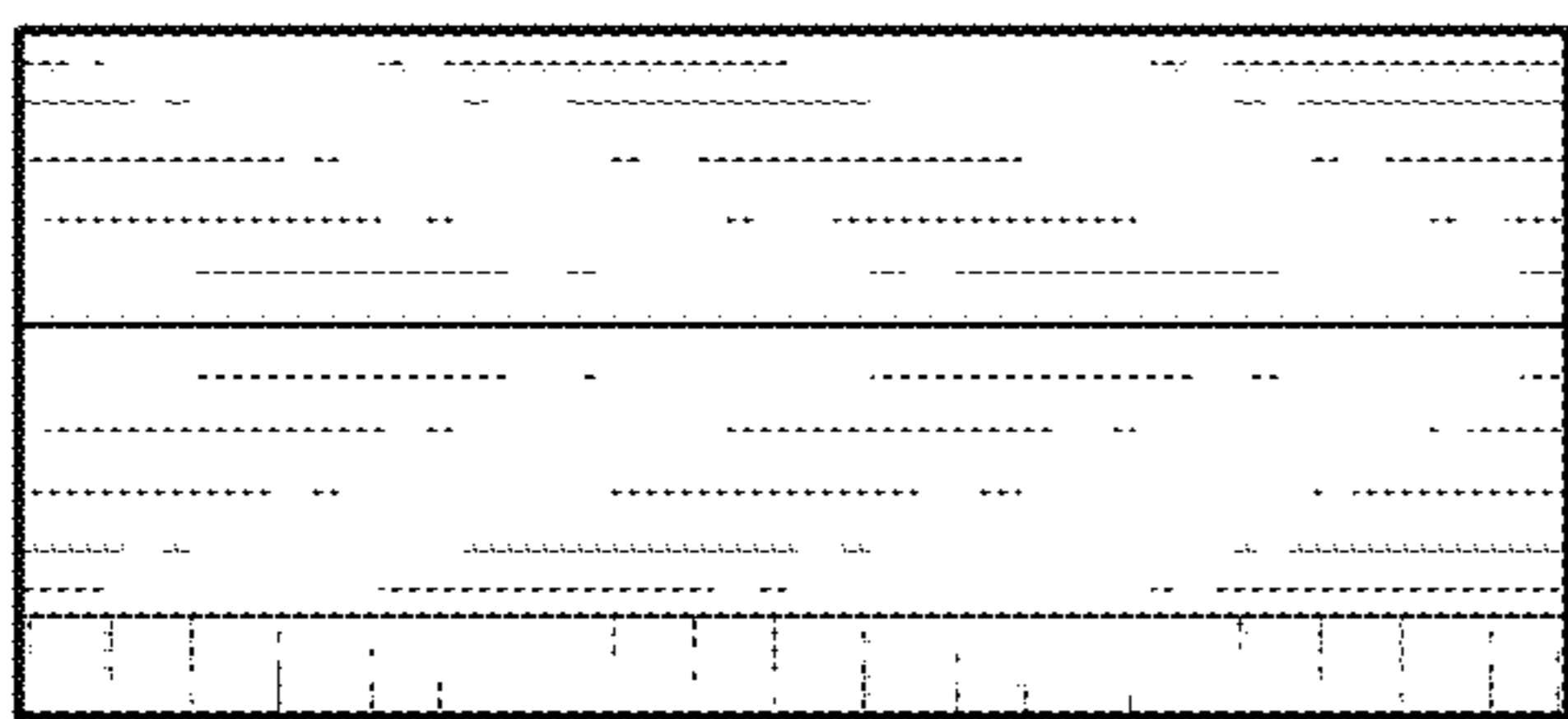


Fig. 3

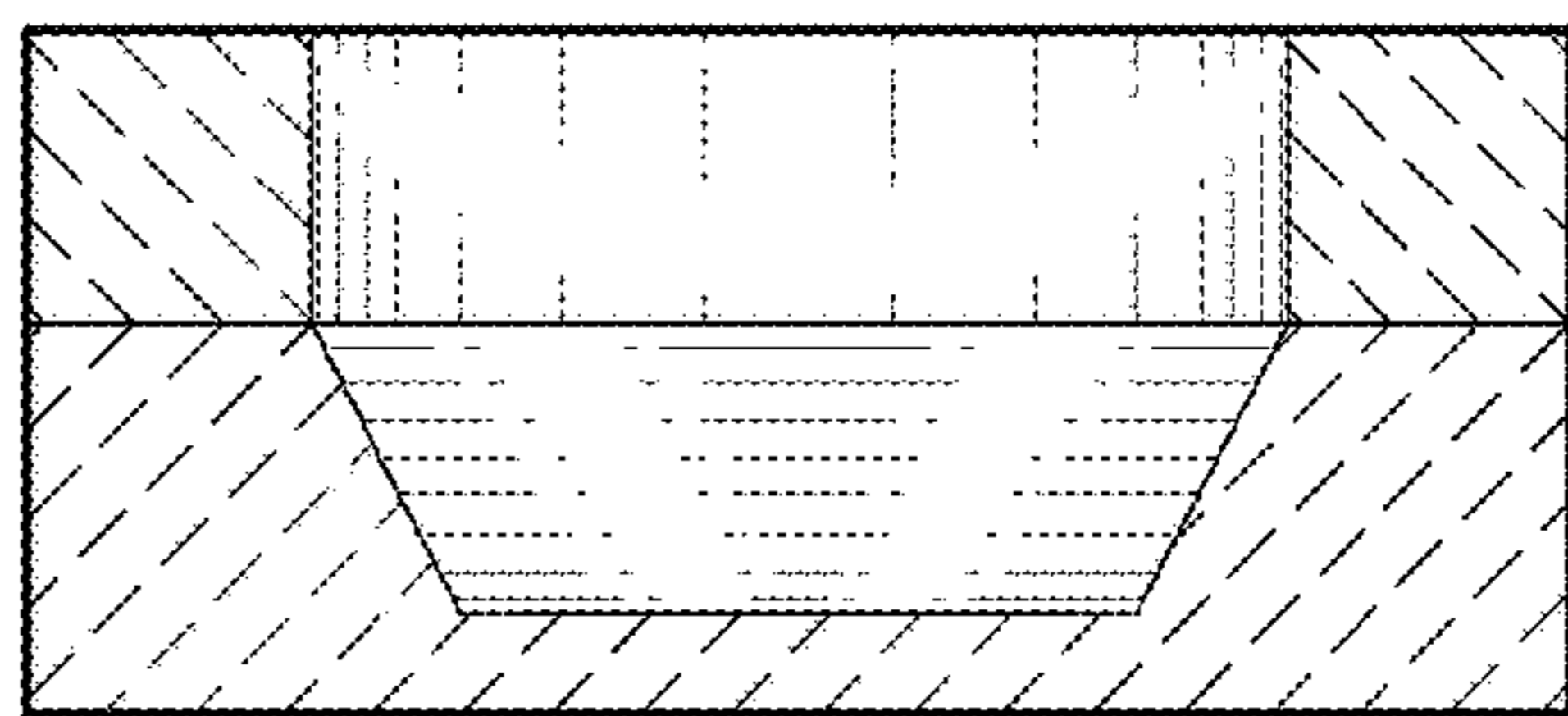


Fig. 4

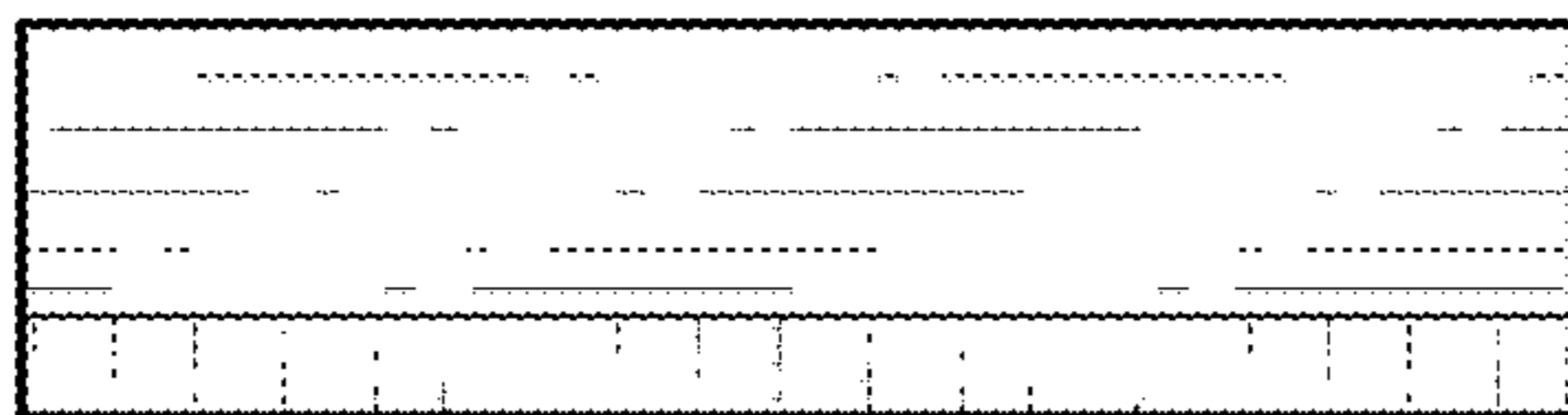
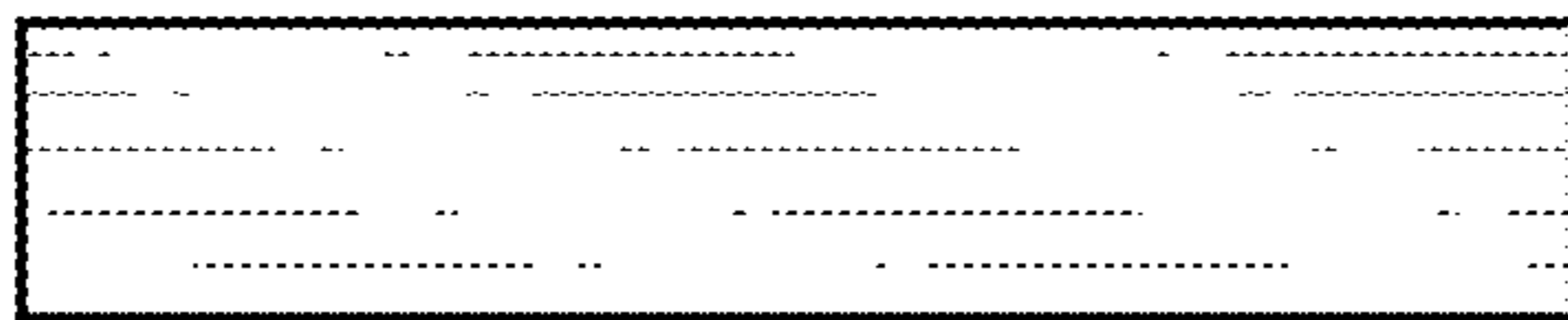


Fig. 5

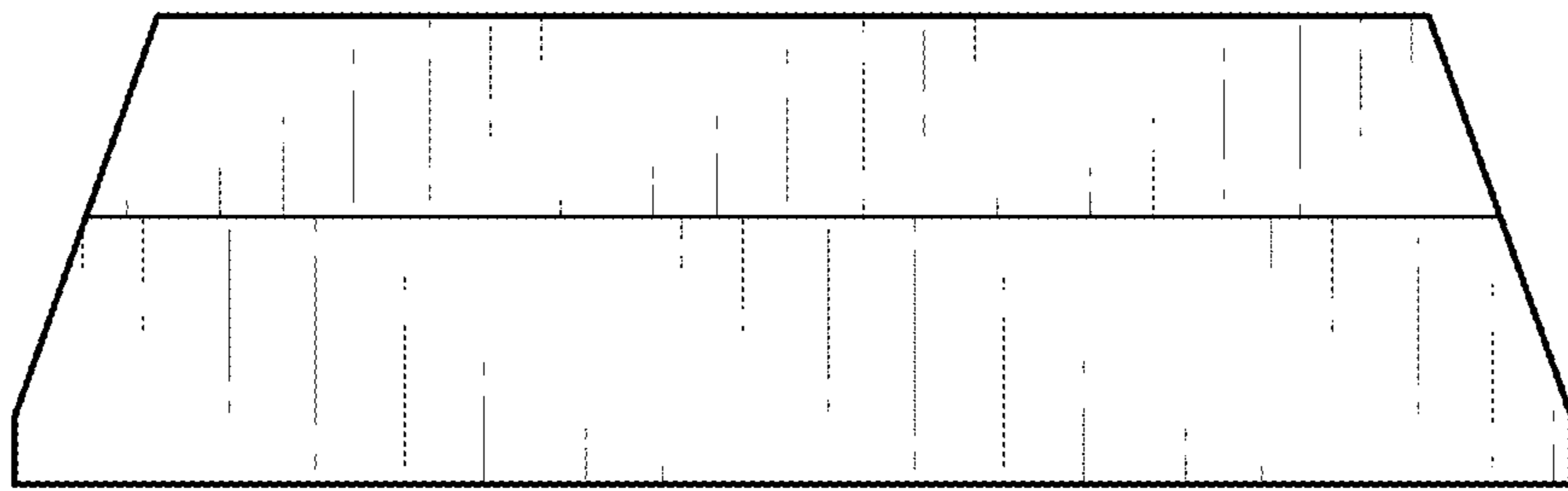


Fig. 6

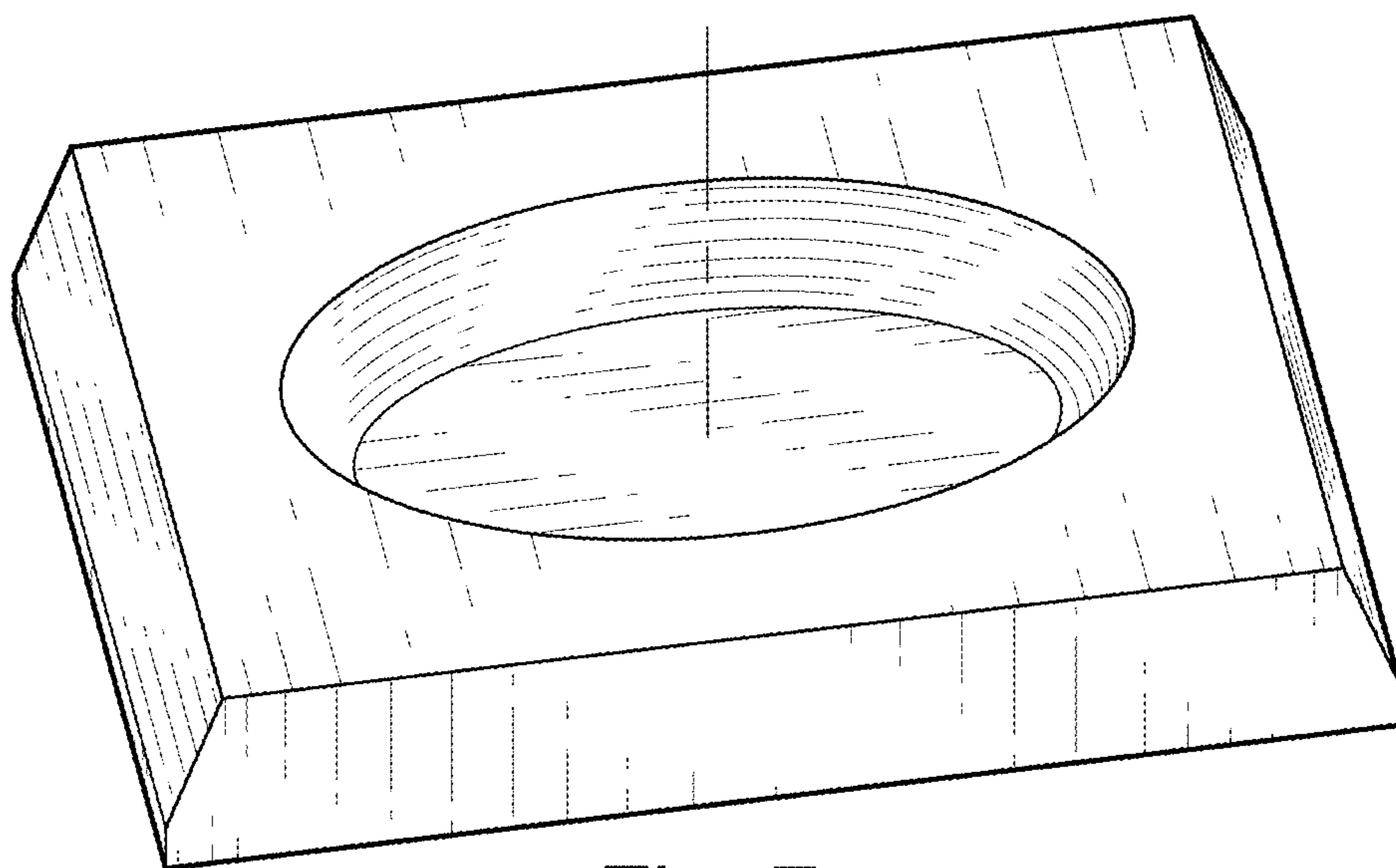
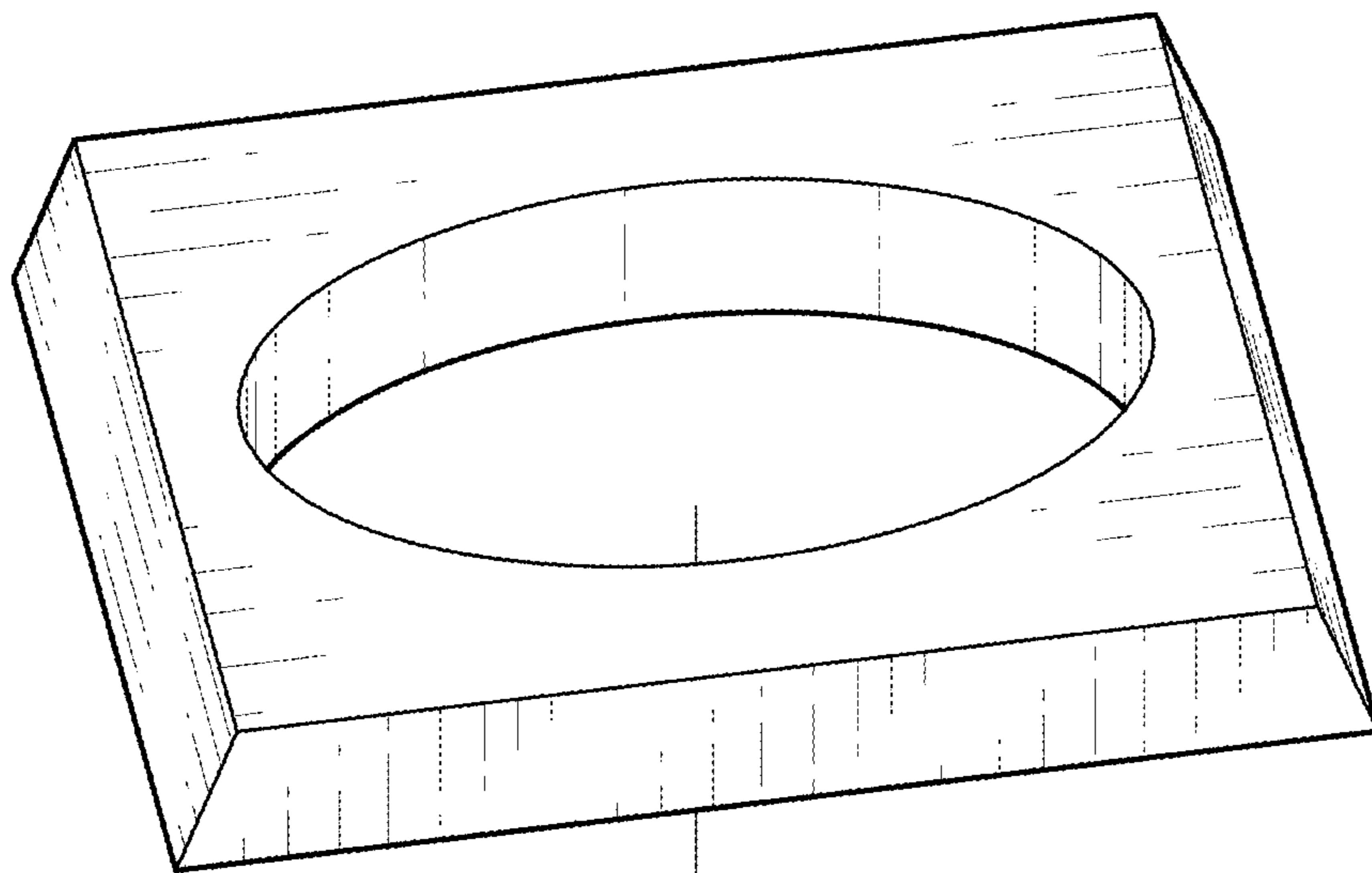


Fig. 7

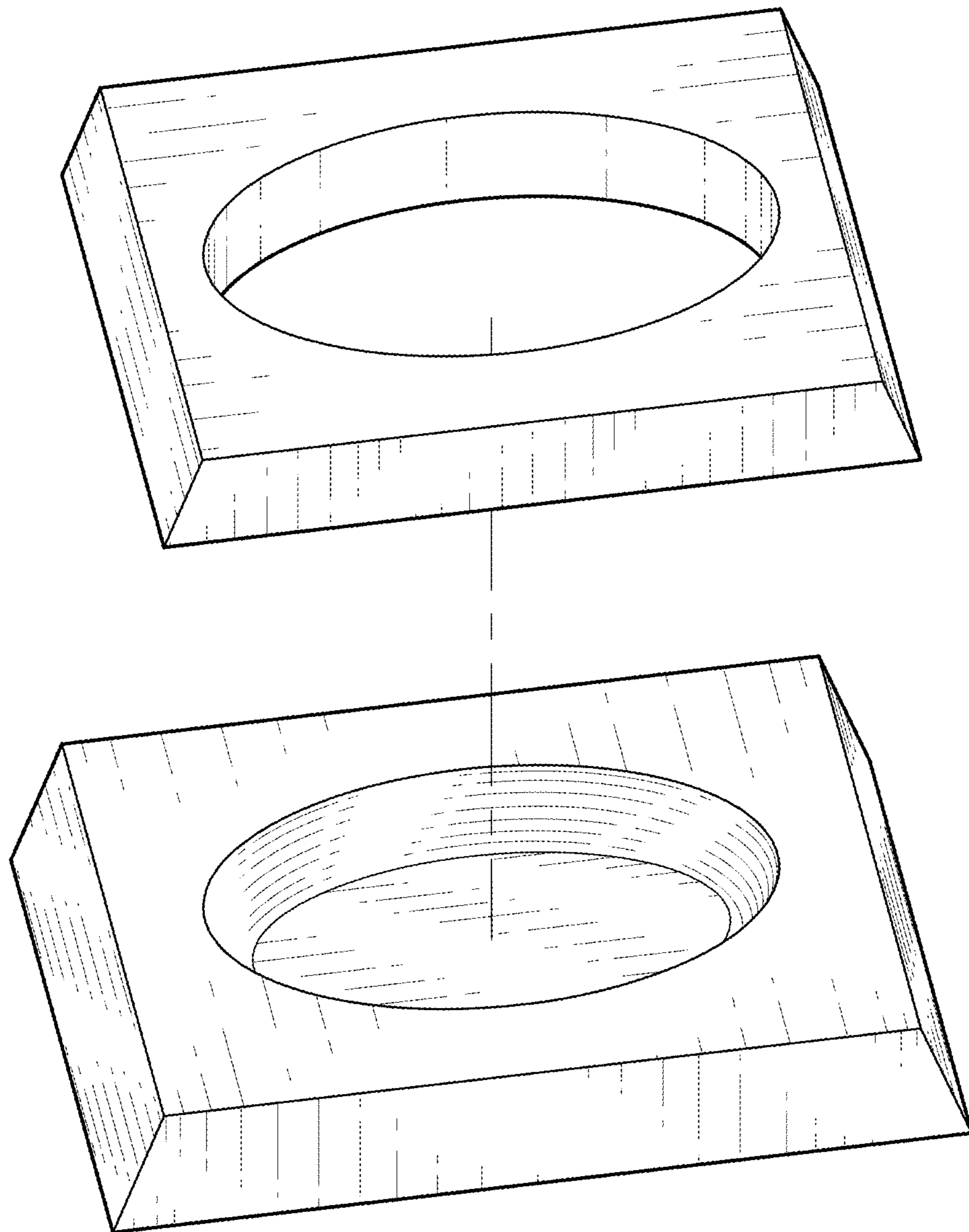


Fig. 8

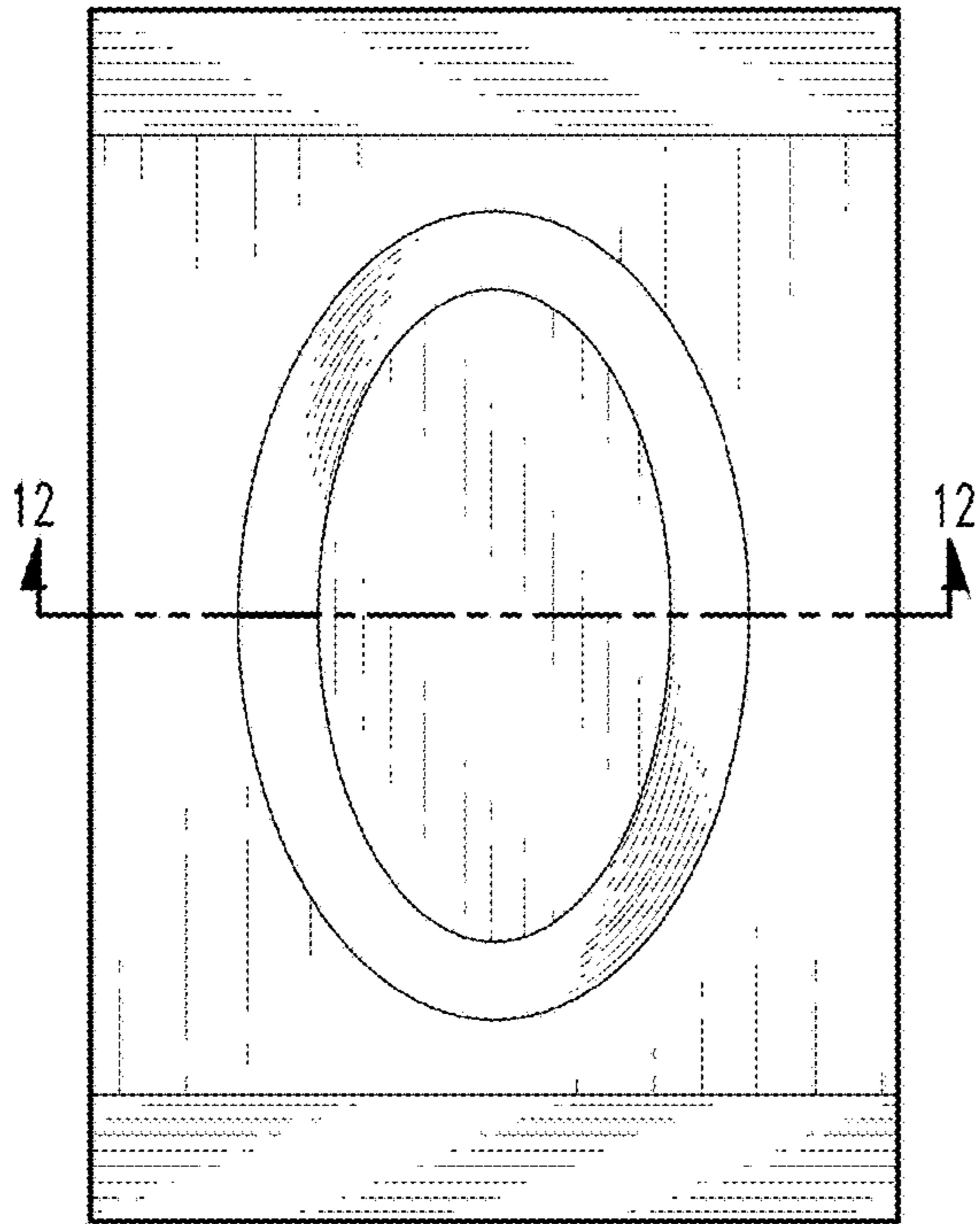


Fig. 9

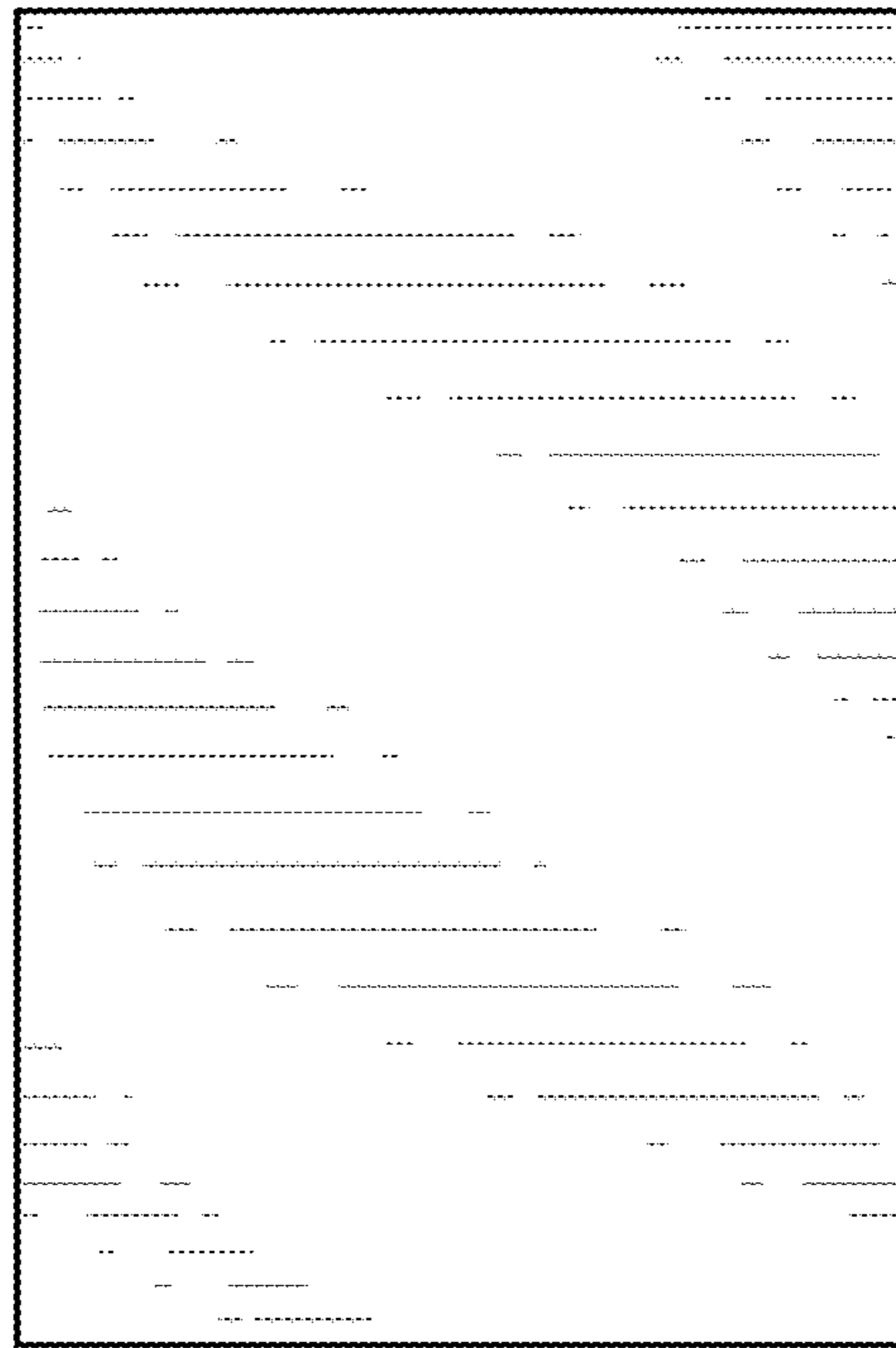


Fig. 10

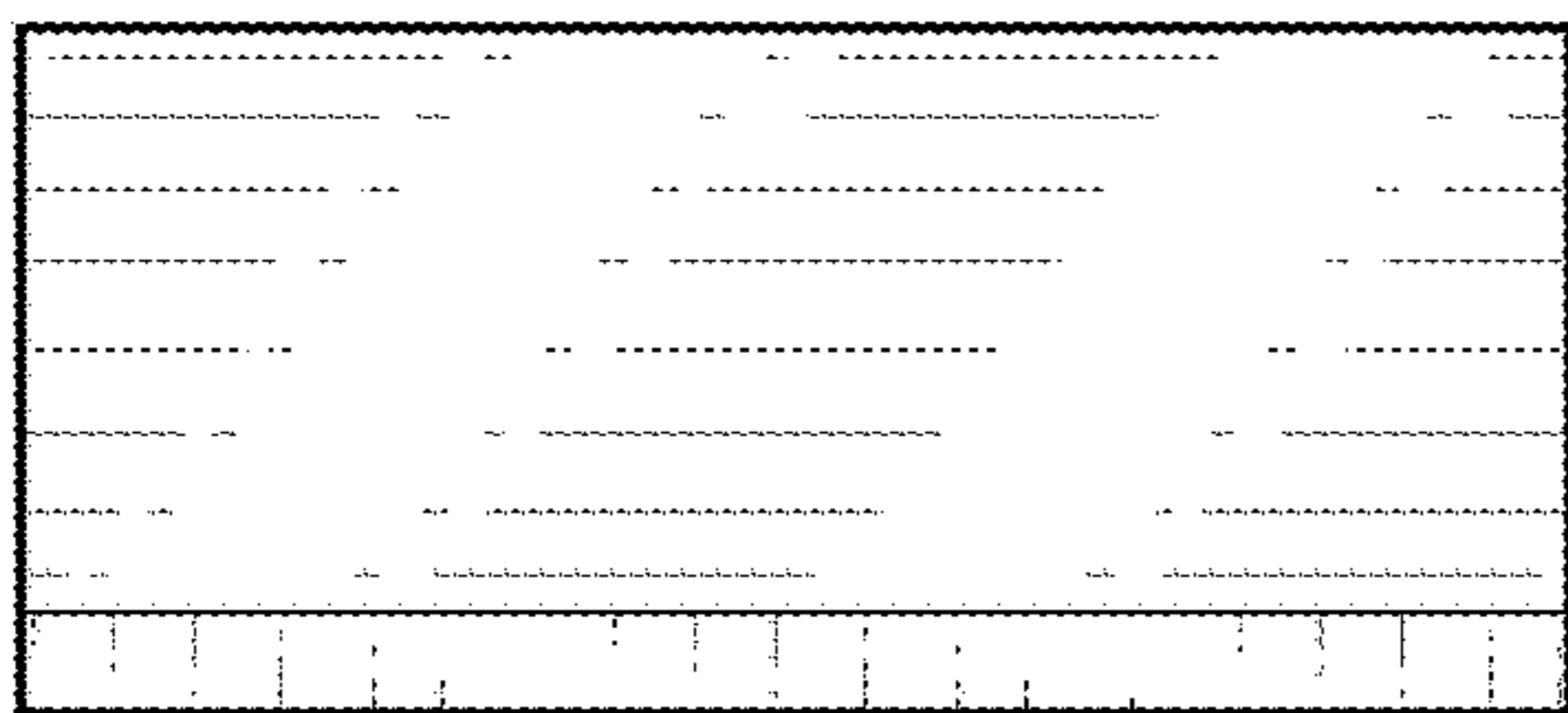


Fig. 11

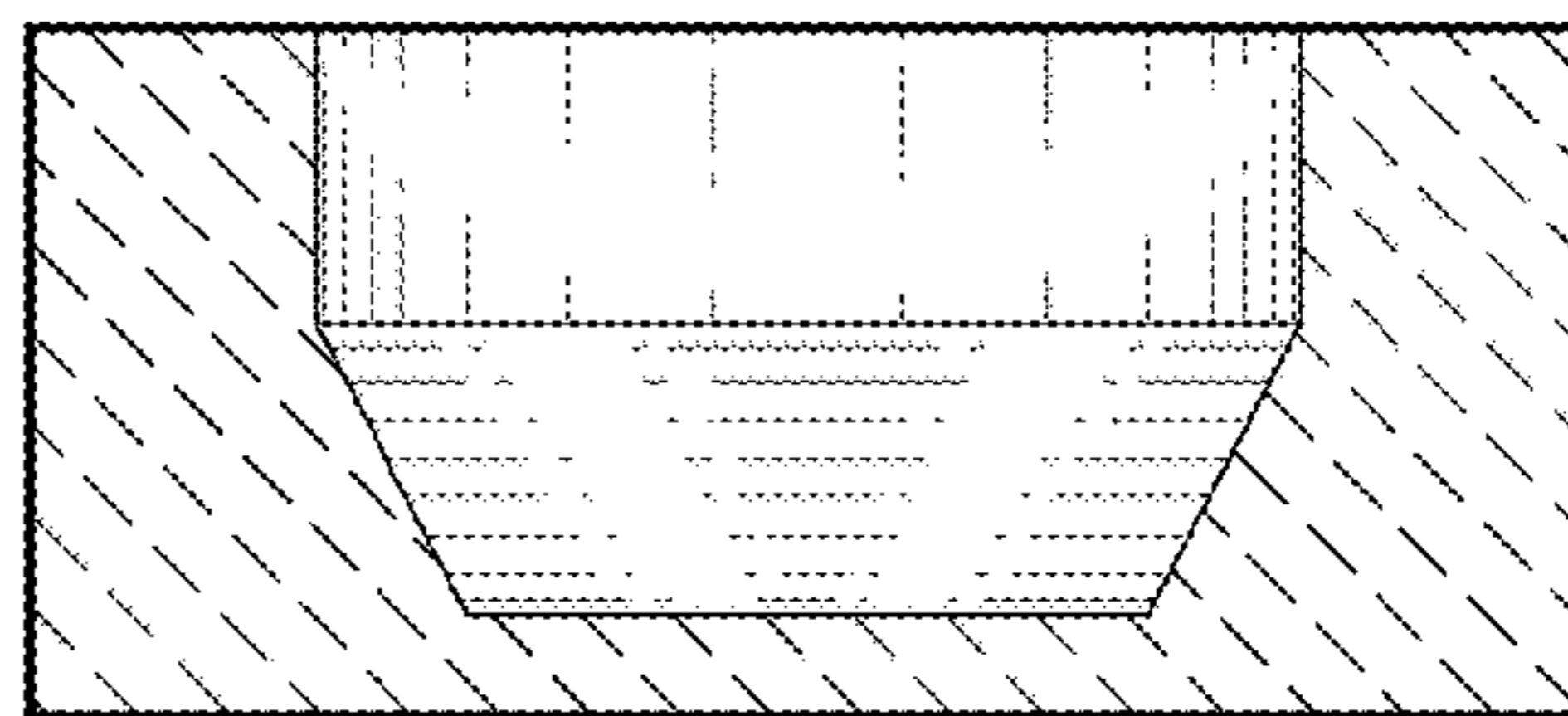


Fig. 12

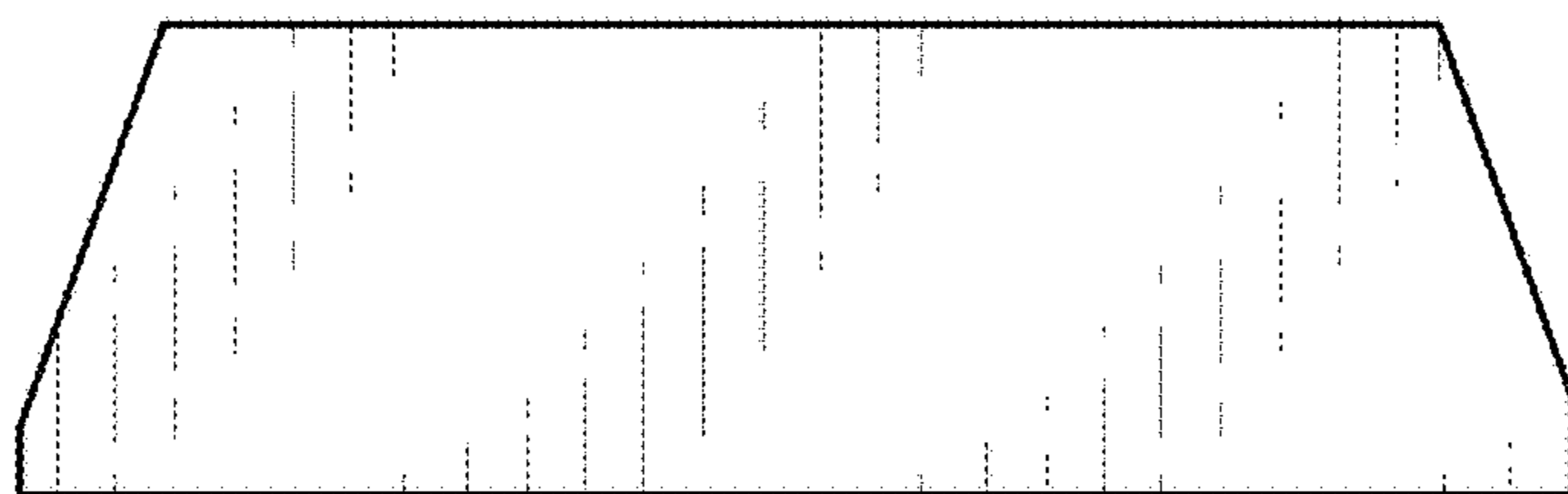


Fig. 13

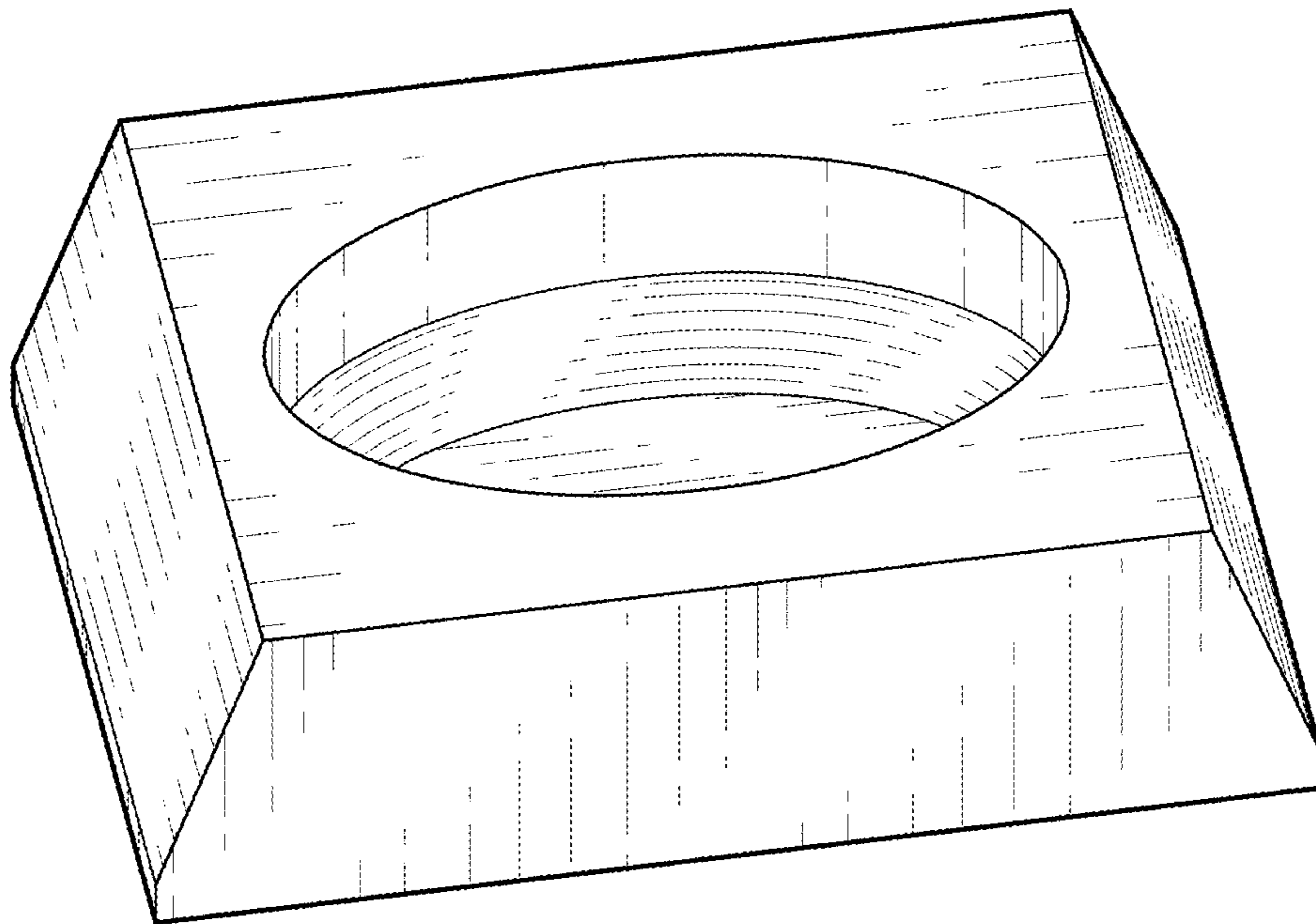


Fig. 14

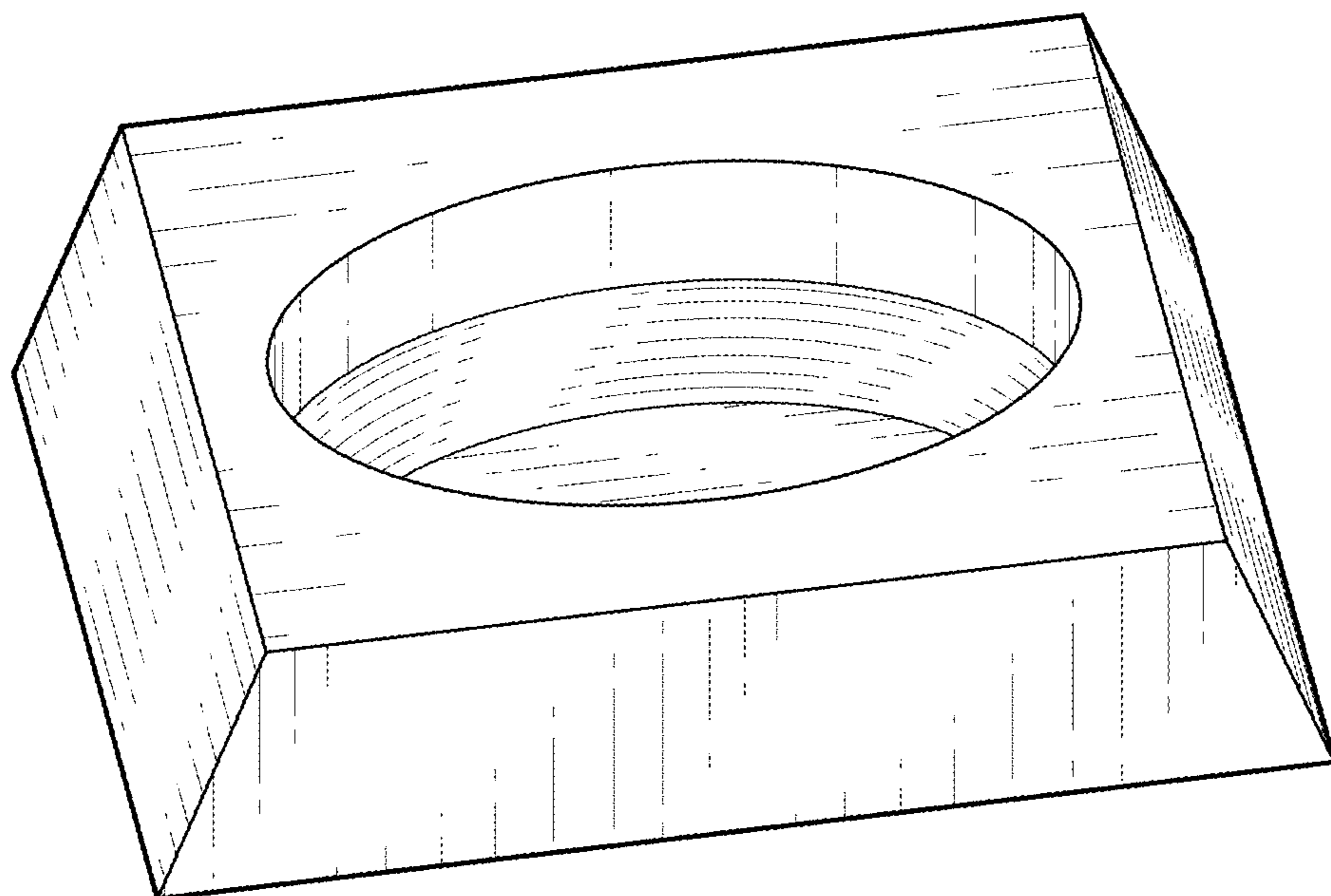


Fig. 15