



US00D859031S

(12) **United States Design Patent** (10) **Patent No.:** **US D859,031 S**  
**Ritch** (45) **Date of Patent:** **\*\* Sep. 10, 2019**

(54) **OUTLET WALL ORGANIZER** 7,255,588 B2 8/2007 Wilder  
 D553,892 S \* 10/2007 Lior ..... D6/574  
 (71) Applicant: **JOBAR INTERNATIONAL, INC.,** 8,864,517 B2 10/2014 Cohen  
 Carson, CA (US) D750,466 S 3/2016 McCoy et al.  
 9,350,151 B2 5/2016 Michaelis, IV  
 9,551,454 B2 1/2017 Lipke et al.  
 (72) Inventor: **Stephen J. Ritch,** Huntington Beach, 2007/0058919 A1\* 3/2007 Desanti ..... G02B 6/4466  
 CA (US) 385/135  
 (73) Assignee: **JOBAR INTERNATIONAL, INC.,** 2010/0065297 A1 3/2010 Gunderman et al.  
 Carson, CA (US) 2010/0081318 A1\* 4/2010 Mydlarz ..... H01R 13/60  
 439/501  
 2011/0132634 A1\* 6/2011 Fetzer-Westmeister .....  
 H02G 3/14  
 174/66

(\*\*) Term: **15 Years**

(21) Appl. No.: **29/609,016**  
(22) Filed: **Jun. 27, 2017**

(Continued)

**Related U.S. Application Data**

(63) Continuation-in-part of application No. 15/250,744,  
 filed on Aug. 29, 2016, now abandoned.  
 (51) **LOC (12) Cl.** ..... **13-03**  
 (52) **U.S. Cl.**  
 USPC ..... **D6/574**  
 (58) **Field of Classification Search**  
 USPC ..... D6/574, 553, 567; 108/28-29; 248/235,  
 248/309.1; 211/13.1, 42, 71.01, 86.01,  
 211/88.01, 88.03, 90.01, 90.03, 126.1,  
 211/133.5; 385/135; 439/501; 174/66  
 CPC ..... A47B 81/00; A47B 95/00  
 See application file for complete search history.

**OTHER PUBLICATIONS**

Makexyz, LLC, Small Shelf for Use Around a Plug, <https://www.makexyz.com/3d-models/order/d3fbba40d1393b10b211f9ce47dab397>, 2 pages.  
 (Continued)

*Primary Examiner* — Wan Laymon  
*Assistant Examiner* — Mark Booker  
 (74) *Attorney, Agent, or Firm* — Lewis Roca Rotherber  
 Christie LLP

(56) **References Cited**

**U.S. PATENT DOCUMENTS**

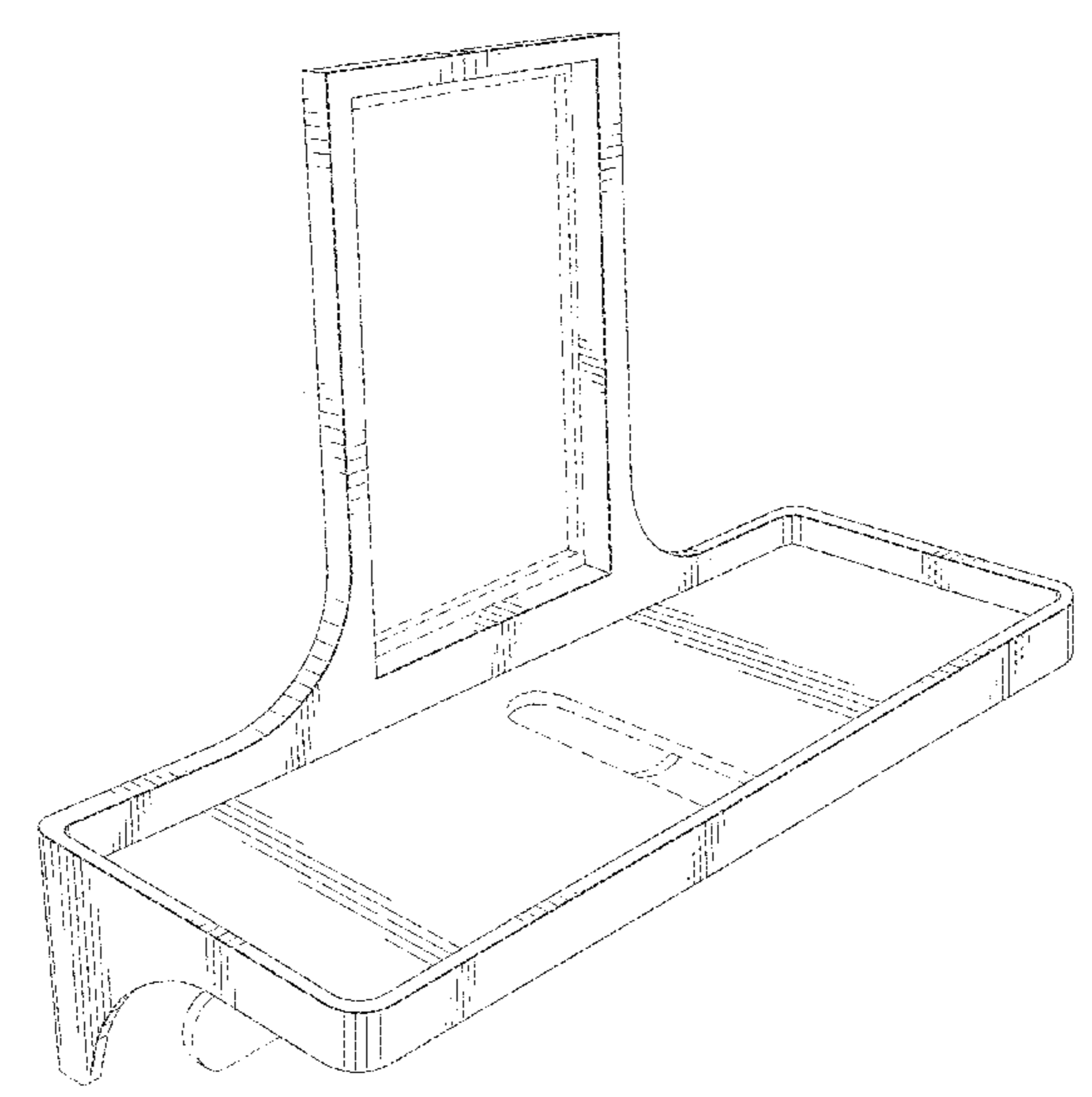
3,042,739 A 7/1962 Craig  
 3,113,996 A 12/1963 Sanford  
 3,257,497 A 6/1966 Chase  
 4,742,429 A 5/1988 Arrendiell et al.  
 5,547,390 A 8/1996 Laherty  
 6,130,384 A 10/2000 Esteves et al.  
 D545,604 S \* 7/2007 Eyman ..... D6/574

(57) **CLAIM**  
 The ornamental design for outlet wall organizer, as shown  
 and described.

**DESCRIPTION**

FIG. 1 is perspective view of an outlet wall organizer design;  
 FIG. 2 is a front view thereof; and,  
 FIG. 3 is a right side view which is a mirror image of the left  
 side view thereof.  
 The broken line showing immediately adjacent the shaded  
 areas represents boundaries to the claimed design and forms  
 no part of the claimed design.

**1 Claim, 3 Drawing Sheets**



(56)

**References Cited**

## U.S. PATENT DOCUMENTS

2017/0042323 A1 2/2017 Johnson et al.  
2017/0055705 A1\* 3/2017 Ritch ..... A47G 29/00

## OTHER PUBLICATIONS

Slippery Brick, The Power Shelf holds your gadgets while they charge, posted by Conner Flynn, <http://www.slipperybrick.com/2009/06/the-power-shelf-holds-your-gadgets-while-they-charge/>, Jun. 30, 2009, 4 pages.

Wall Plate with PDA/Cell Phone Holder, <http://www.promo-wholesale.com/china/Cases/3/Wall-Plate-With-PDA---Cell-Phone-Holder-101923.htm>, 2 pages.

TechCrunch, Socket Pocket: Inexpensive wall outlet cover with built-in gadget holder, <https://techcrunch.com/2009/10/29/socket-pocket-inexpensive-wall-outlet-cover-with-built-in-gadget-holder/>, posted by Doug Aamoth, Oct. 29, 2009, 2 pages.

Mr. D.I.Y., Cell Phone Wall Holder, <http://www.mrdiy2u.com/3571/>, 2 pages.

Ebay, Power Perch Charging Shelf, [http://www.ebay.com/itm/like/182085442326?ipid=82&chn=ps&ul\\_noapp=true](http://www.ebay.com/itm/like/182085442326?ipid=82&chn=ps&ul_noapp=true), 1 page.

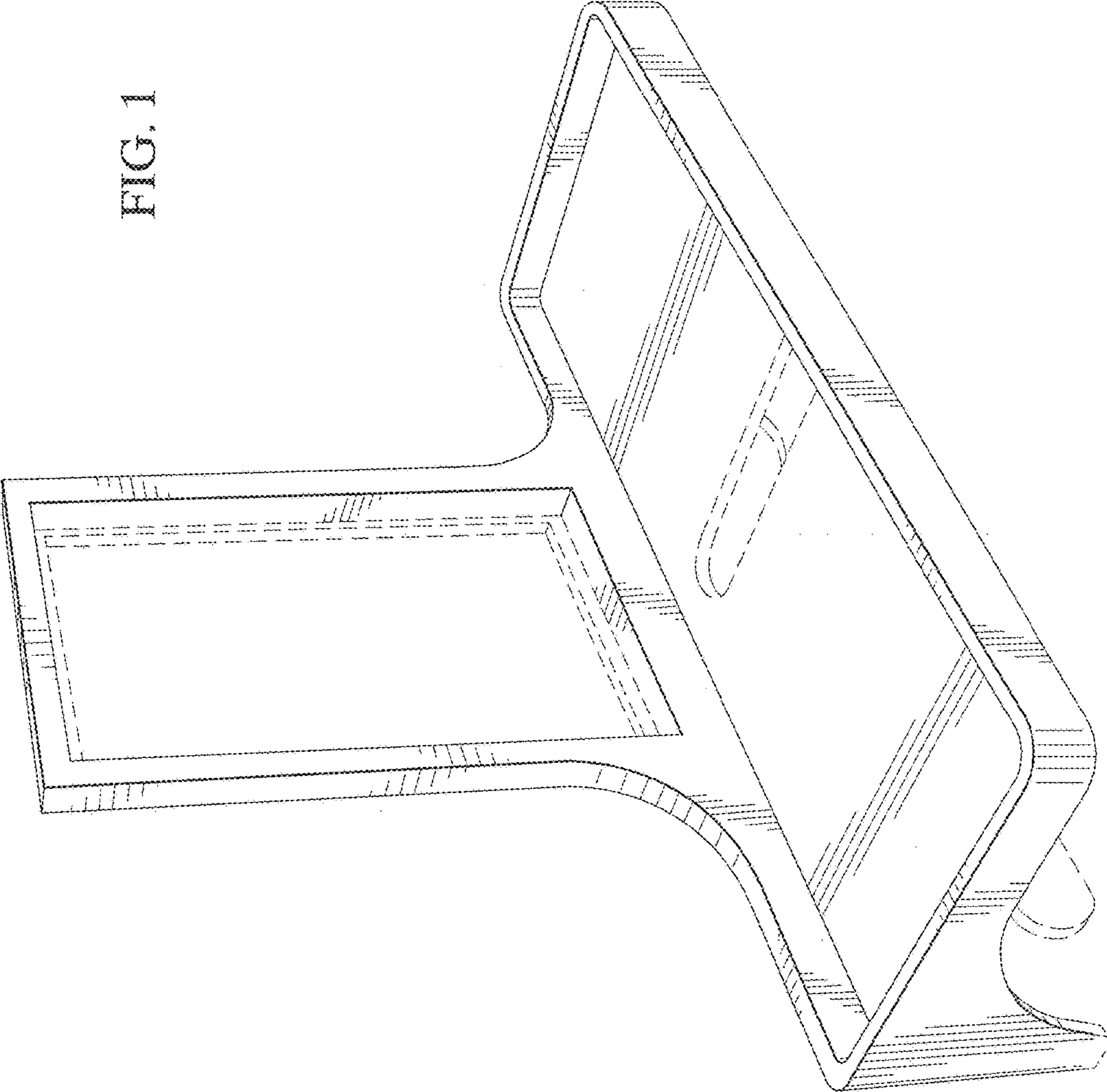
Pinterest, Wall Antlers, <https://www.pinterest.com/pin/79376012151911797/>, 1 page.

2robotguy, 3D Printed Wall Outlet Cellphone Holder (iPhone and iPod), <https://pinshape.com/items/25289-3d-printed-wall-outlet-cellphone-holder-iphone-ipod>, 5 pages.

Teichelberger, Outlet Shelf, <http://www.thingiverse.com/thing:1380844>, Mar. 1, 2016, 1 page.

\* cited by examiner

FIG. 1



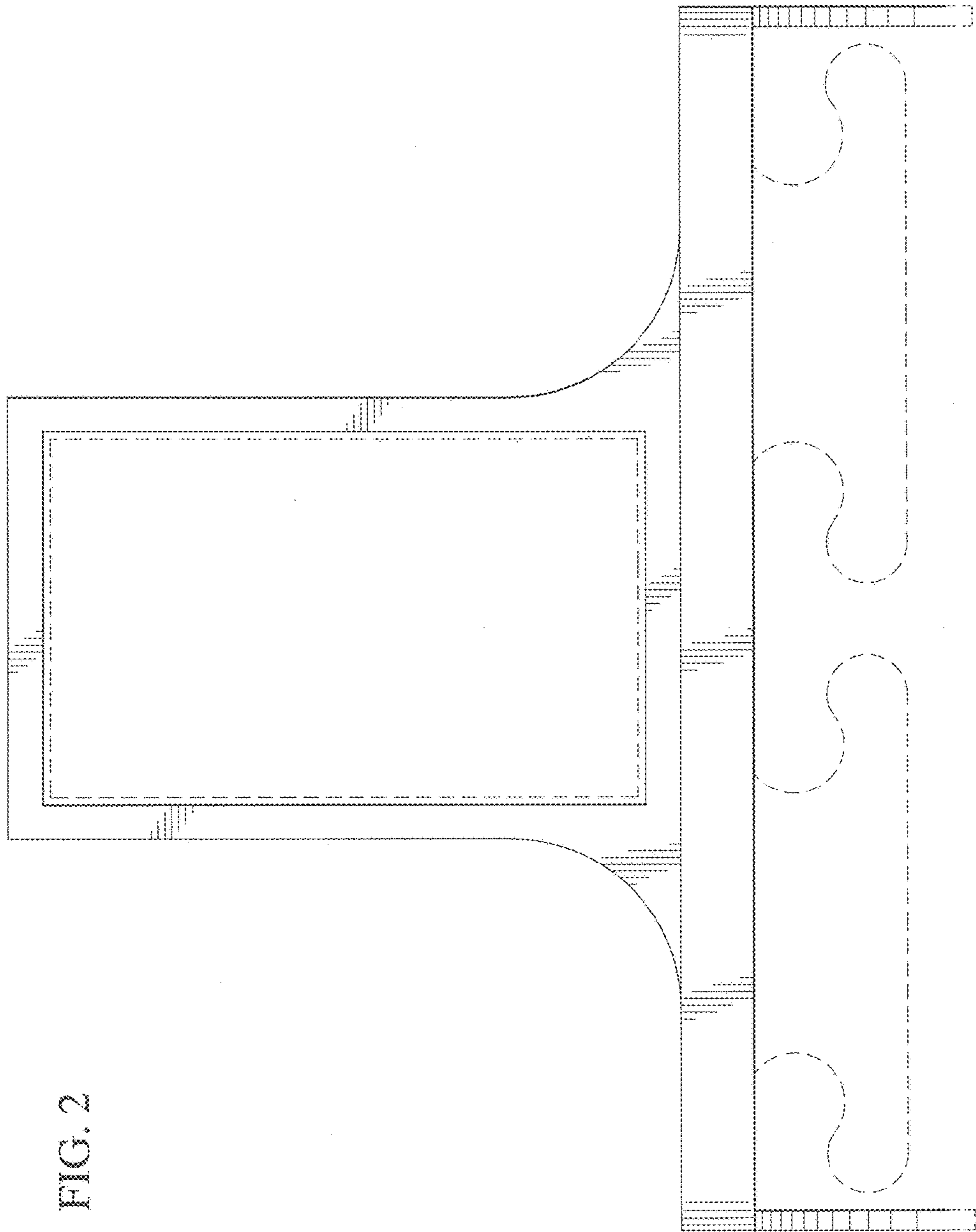


FIG. 2

FIG. 3

