



US00D859029S

(12) **United States Design Patent** (10) **Patent No.:** **US D859,029 S**
Mariano et al. (45) **Date of Patent:** **** Sep. 10, 2019**

(54) **PAPER TOWEL DISPENSER**

(71) Applicants: **Dino Mariano**, Bridgeville, PA (US);
Jordan Zito, North Versailles, PA (US)

(72) Inventors: **Dino Mariano**, Bridgeville, PA (US);
Jordan Zito, North Versailles, PA (US)

(73) Assignee: **HELEN OF TROY LIMITED**, St.
Michael (BB)

(**) Term: **15 Years**

(21) Appl. No.: **29/653,129**

(22) Filed: **Jun. 12, 2018**

(51) **LOC (12) Cl.** **23-02**

(52) **U.S. Cl.**
USPC **D6/522**

(58) **Field of Classification Search**
USPC D6/522, 523, 515-521, 524; D8/349,
D8/354, 363, 373, 394; D23/225;
206/77.1, 13.1, 86.01, 87.01; 221/14, 92,
221/105, 146.1, 146.2, 649; 222/281-282
CPC A47K 5/12; A47K 5/1205; A47K 5/1202;
A47K 5/1207; A47K 10/16; A47K 10/32;
A47K 10/34; A47K 10/421; A47K 10/44;
B05B 11/3001; C11D 17/08

See application file for complete search history.

(56) **References Cited**

U.S. PATENT DOCUMENTS

D532,228 S *	11/2006	Snell	D6/522
D797,467 S *	9/2017	Andrew	D6/540
D811,118 S *	2/2018	Garland	D6/523

* cited by examiner

Primary Examiner — Wan Laymon
Assistant Examiner — Mark Booker

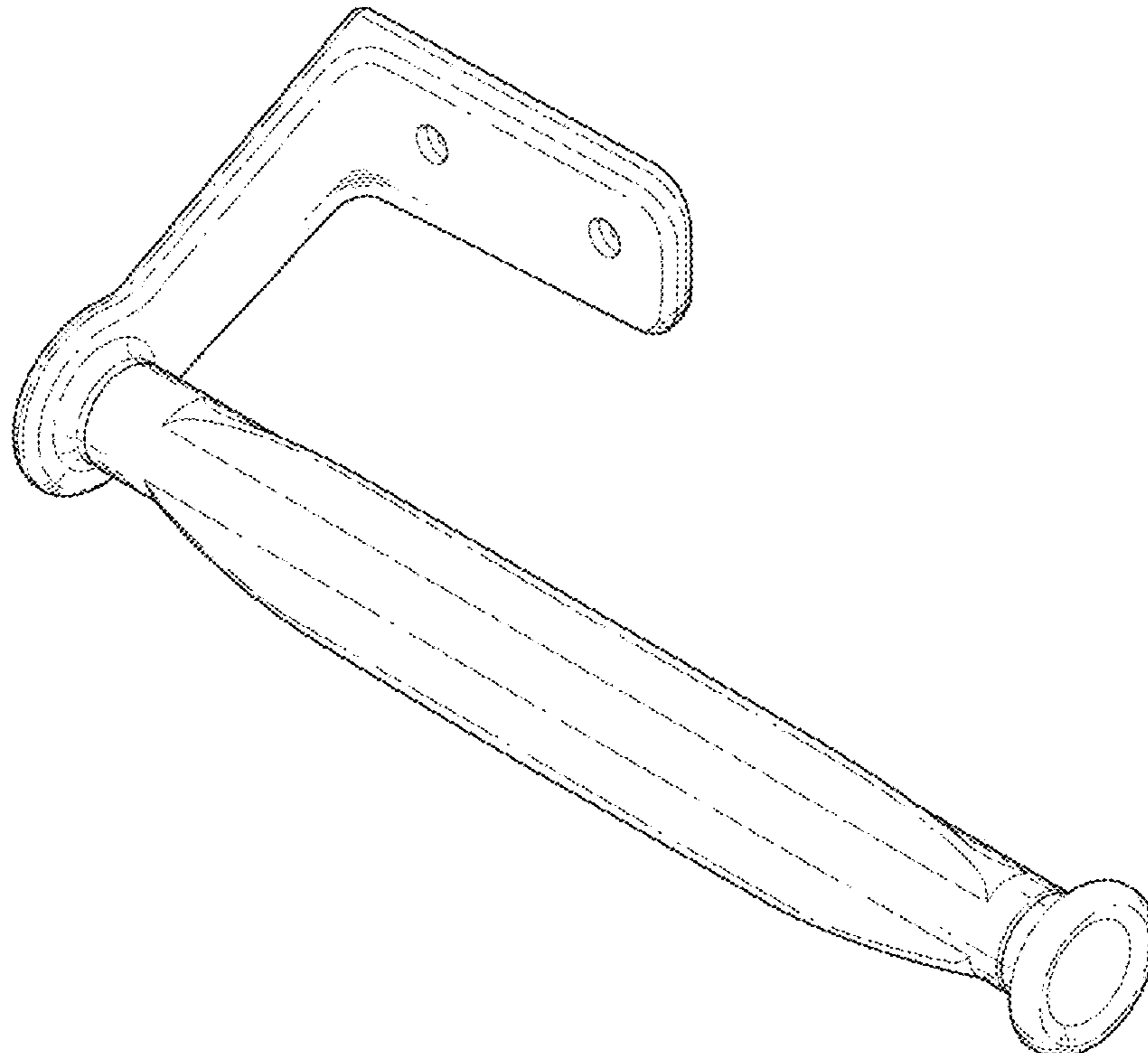
(57) **CLAIM**

The ornamental design for a paper towel dispenser, as shown, and described.

DESCRIPTION

FIG. 1 is a perspective view of a paper towel dispenser;
FIG. 2 is a front elevation view thereof;
FIG. 3 is a rear elevation view thereof;
FIG. 4 is a top elevation view thereof;
FIG. 5 is a bottom view thereof;
FIG. 6 is a left side view thereof; and,
FIG. 7 is a right side view thereof.

1 Claim, 7 Drawing Sheets



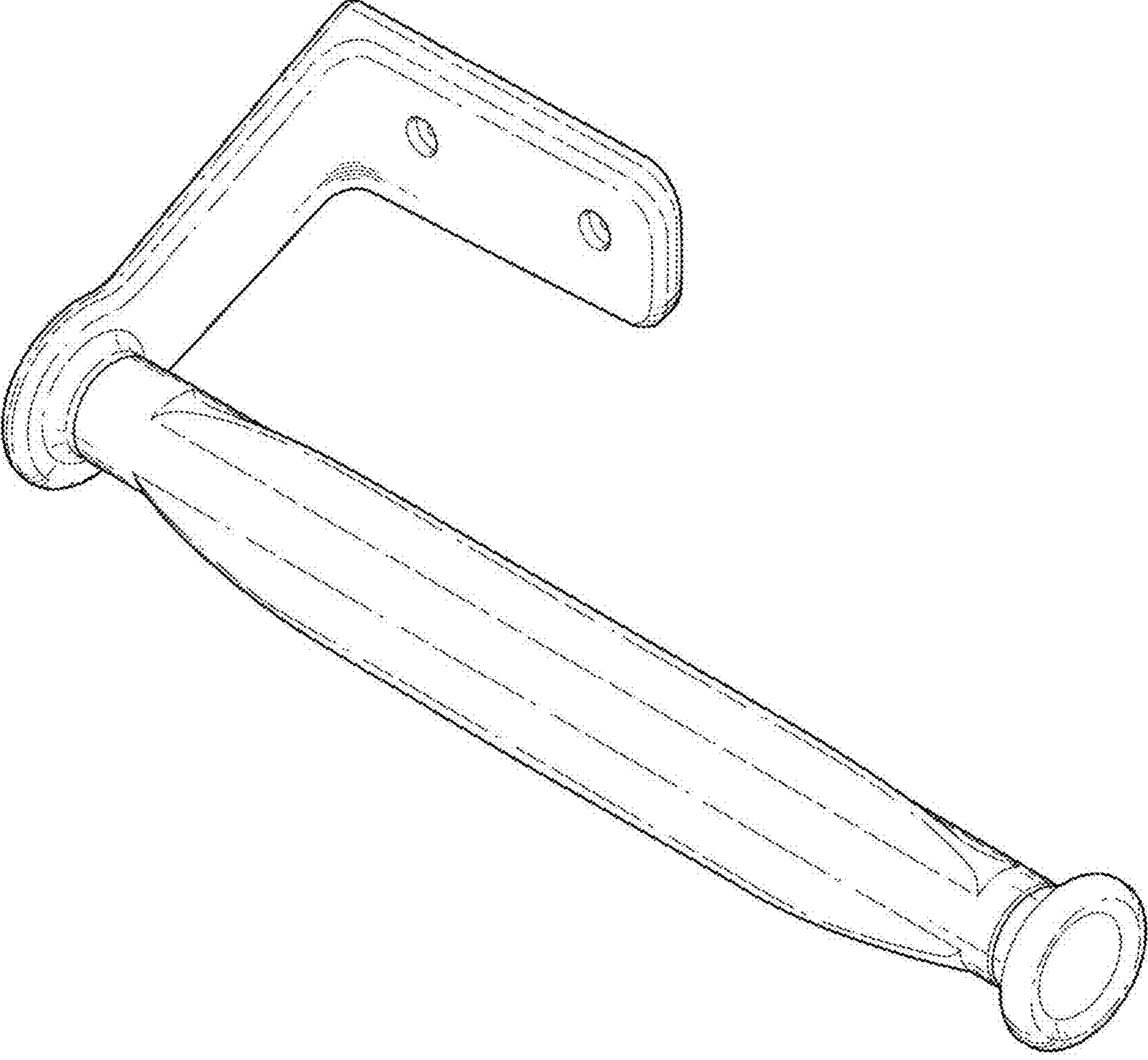


FIG. 1



FIG. 2

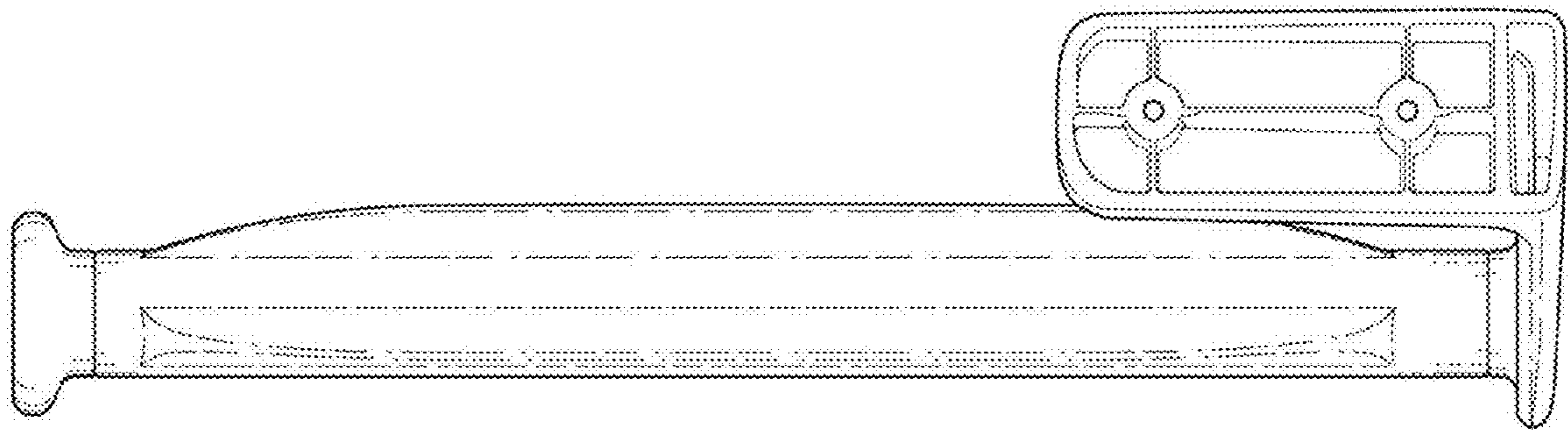


FIG. 3

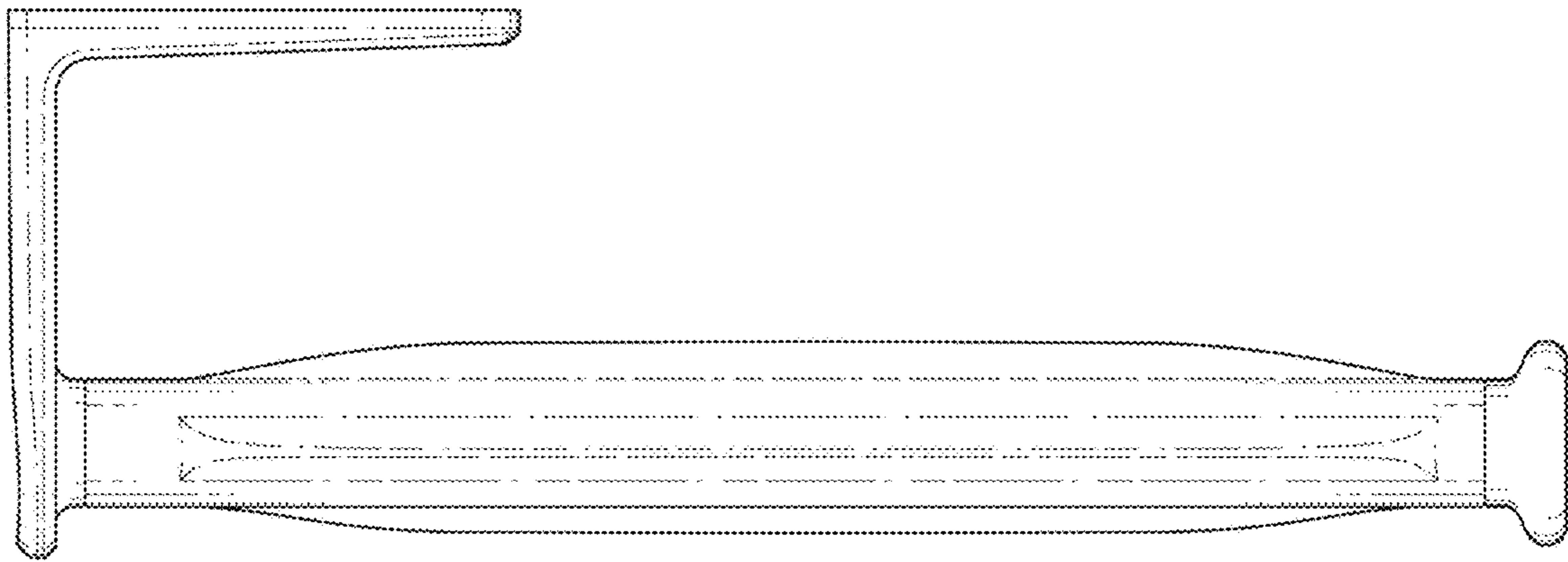


FIG. 4

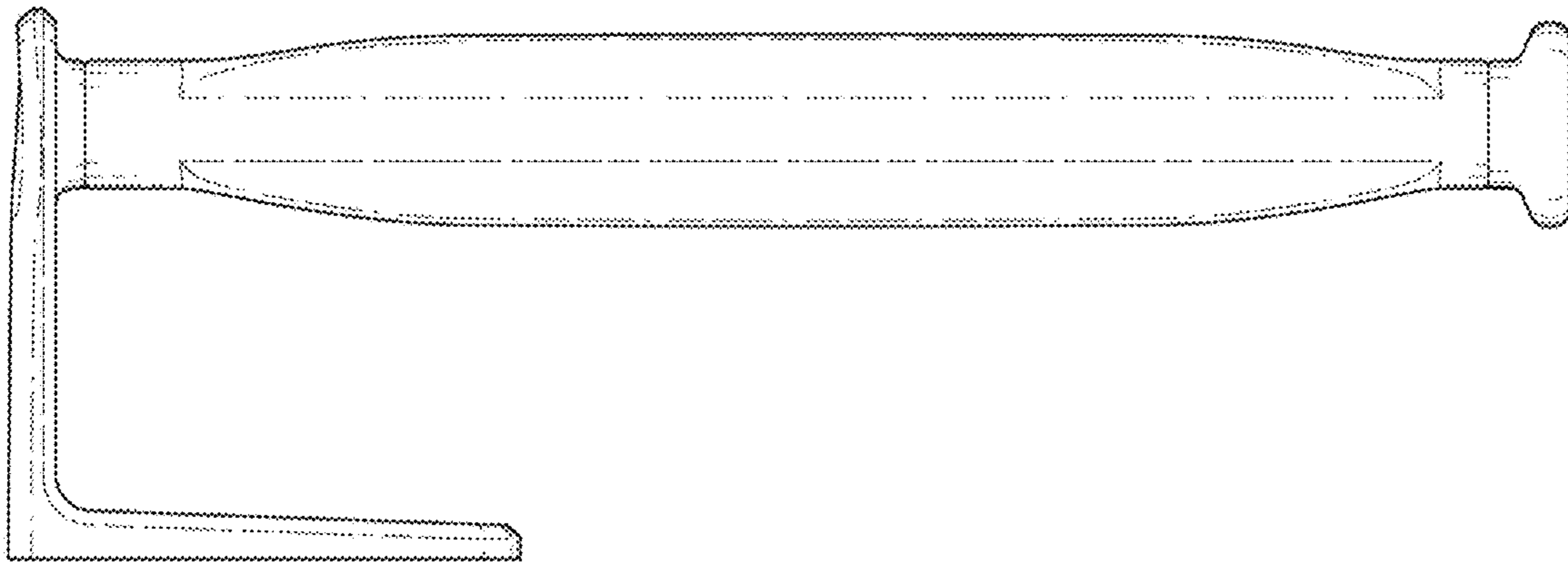


FIG. 5

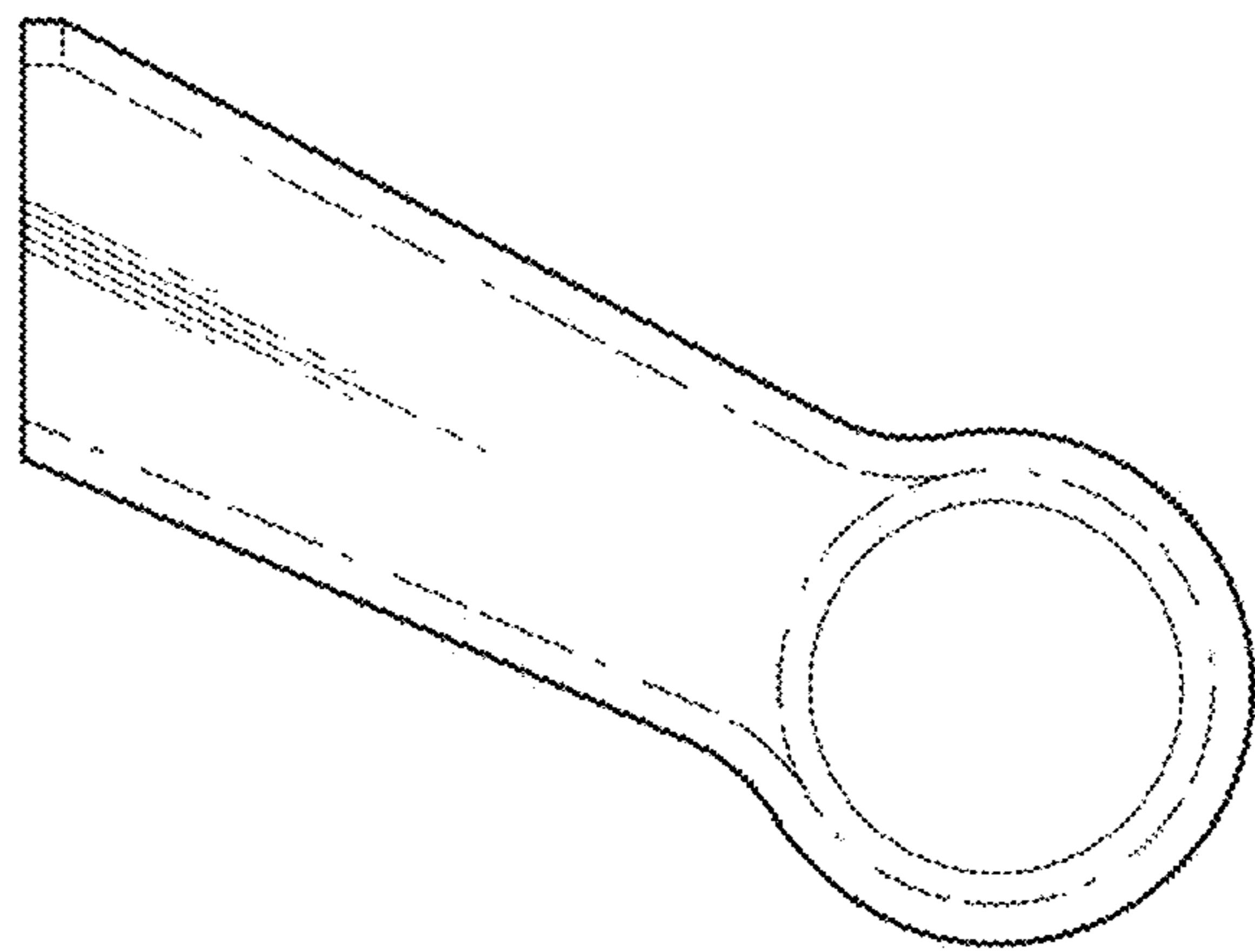


FIG. 6

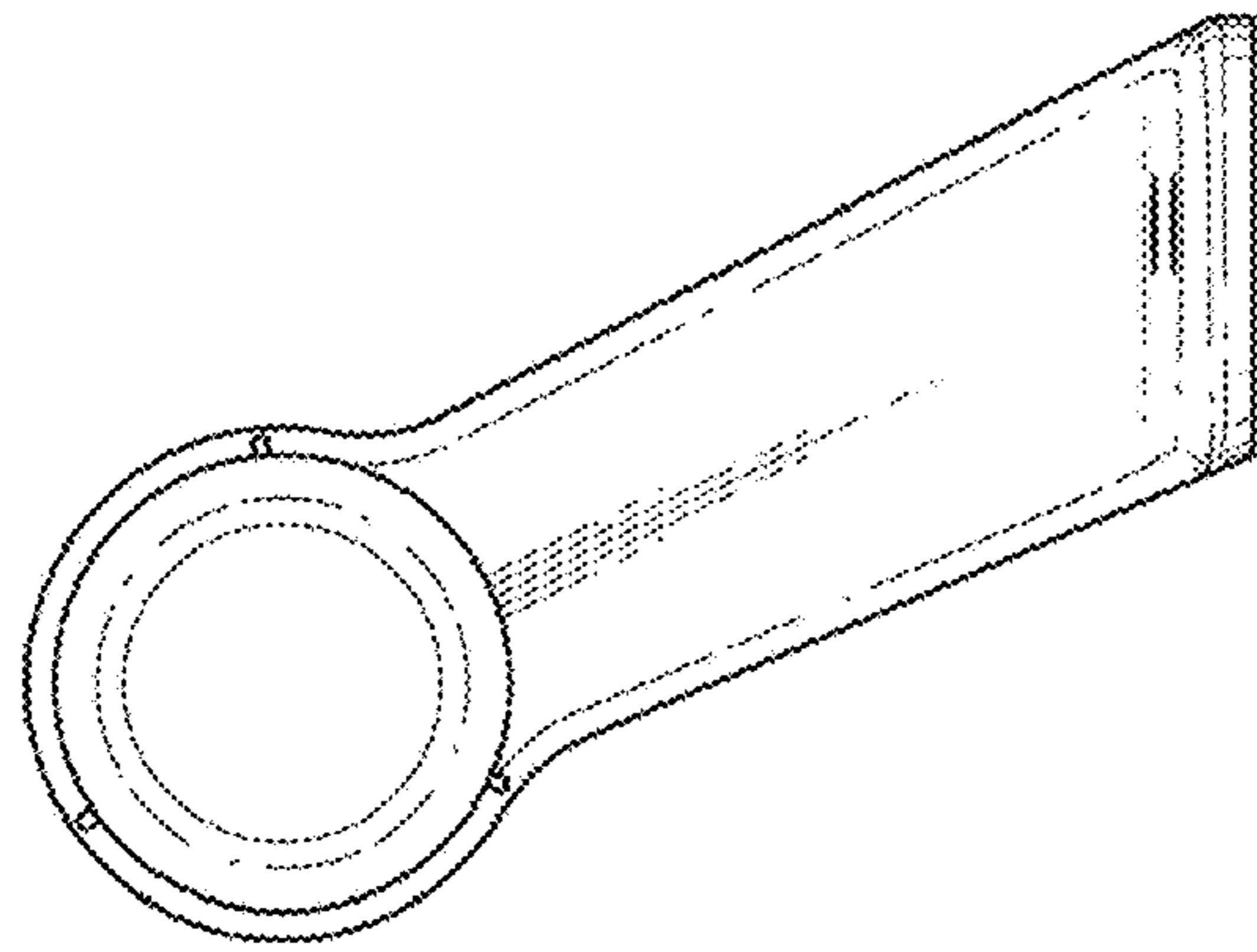


FIG. 7