



US00D859023S

(12) **United States Design Patent** (10) **Patent No.:** **US D859,023 S**
Lösing (45) **Date of Patent:** **** Sep. 10, 2019**

(54) **INFLATABLE SEATING FURNITURE**

(71) Applicant: **Enders Colman AG**, Werdohl (DE)

(72) Inventor: **Markus Lösing**, Werdohl (DE)

(73) Assignee: **ENDERS COLSMAN AG**, Werdohl (DE)

(**) Term: **15 Years**

(21) Appl. No.: **29/617,655**

(22) Filed: **Sep. 15, 2017**

(30) **Foreign Application Priority Data**

Mar. 16, 2017 (DE) 40 2017 100 315

(51) **LOC (12) Cl.** **06-01**

(52) **U.S. Cl.**
USPC **D6/378**

(58) **Field of Classification Search**
USPC D6/334-336, 364, 371, 373, 374, 378,
D6/381, 716, 716.1, 716.4
CPC A47C 4/54; A47C 5/06; A47C 7/18; A47C
7/24; A47C 7/021; A47C 15/002
See application file for complete search history.

(56) **References Cited**

U.S. PATENT DOCUMENTS

D146,981 S *	6/1947	Noll	D6/378
D262,166 S *	12/1981	Aronowitz	D6/378
D704,469 S *	5/2014	Gaschy et al.	D6/378
D708,451 S *	7/2014	Gaschy	D6/378
D756,677 S *	5/2016	George, II	D6/378
D829,451 S *	10/2018	Bozzoli	D6/334

* cited by examiner

Primary Examiner — Mimosa De

(74) *Attorney, Agent, or Firm* — Polson Intellectual Property Law, PC; Margaret Polson

(57) **CLAIM**

The ornamental design for inflatable seating furniture, as shown and described.

DESCRIPTION

FIG. 1 is a right front isometric view of the new design for inflatable seating furniture.

FIG. 2 is the left side view of FIG. 1.

FIG. 3 is a front side view of FIG. 1.

FIG. 4 is a right side view of FIG. 1 and FIG. 7.

FIG. 5 is a back side view of FIG. 1

FIG. 6 is a top side view of FIG. 1.

FIG. 7 is a right front side isometric view of the furniture of FIG. 1 included with additional units to make a larger seating arrangement, the base of all of the unclaimed elements are identical to the furniture of FIG. 1 other than the back cushion and the number of curved support elements, it being understood that all other surfaces are the same as the other views of this embodiment.

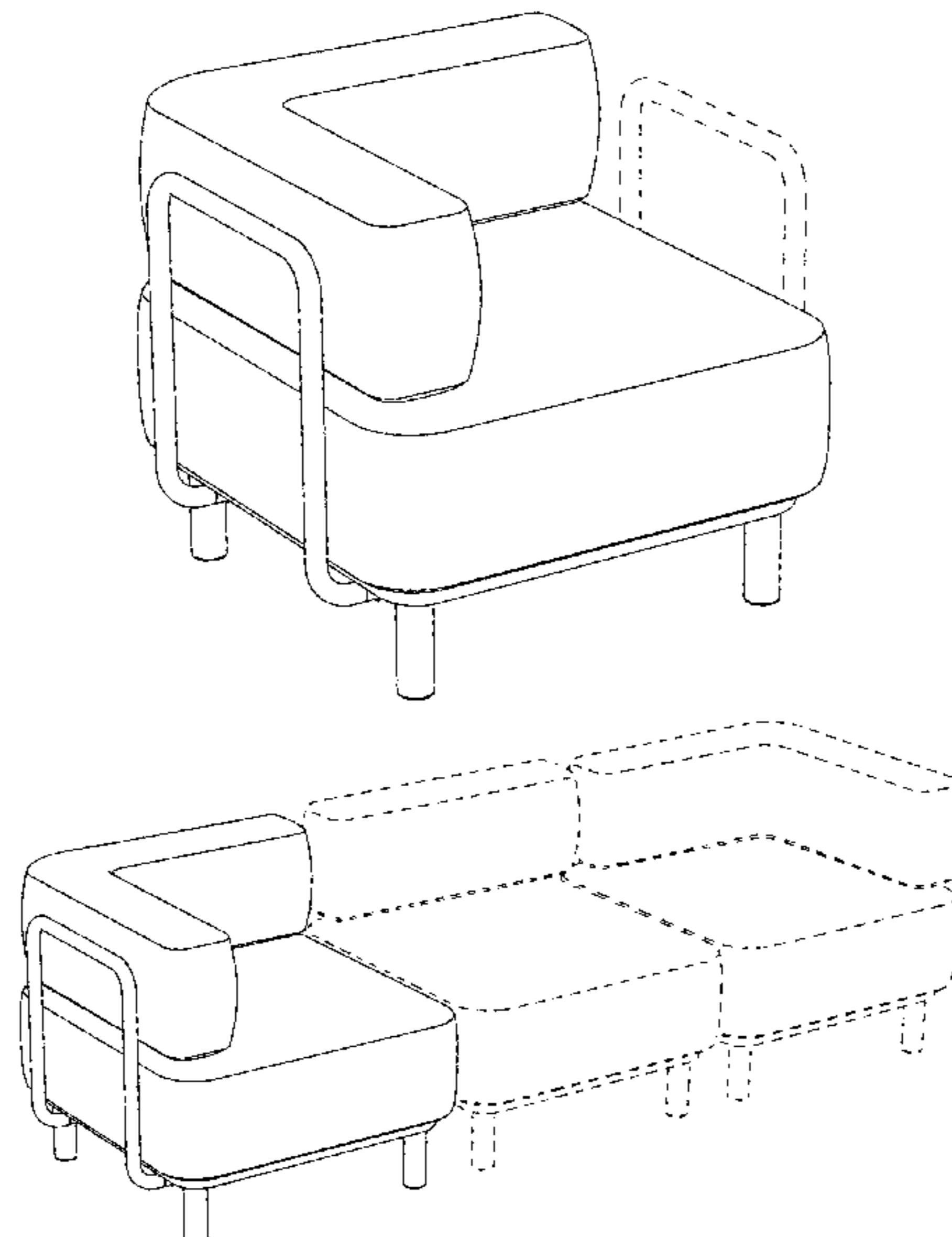
FIG. 8 is a front side view of FIG. 7.

FIG. 9 is a back side view of FIG. 7; and,

FIG. 10 is a top side view if FIG. 7.

The features shown in broken lines in the drawing depict environmental subject matter and unclaimed borders and form no part of the claimed design. Other than the section disclaimed by the broken lines and unclaimed borders, it is to be understood that all other surfaces are the same in all embodiments.

1 Claim, 10 Drawing Sheets



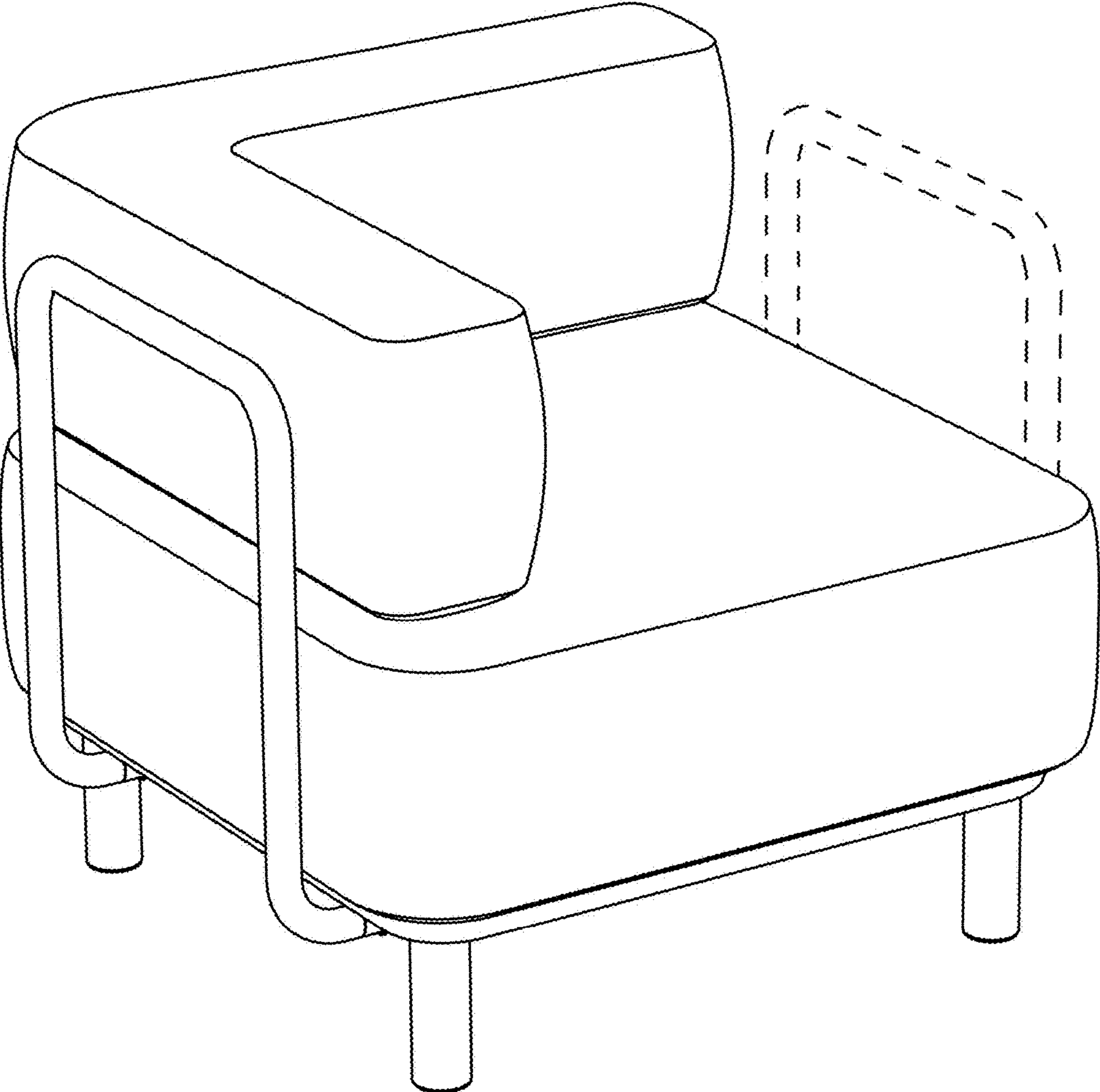


Fig. 1

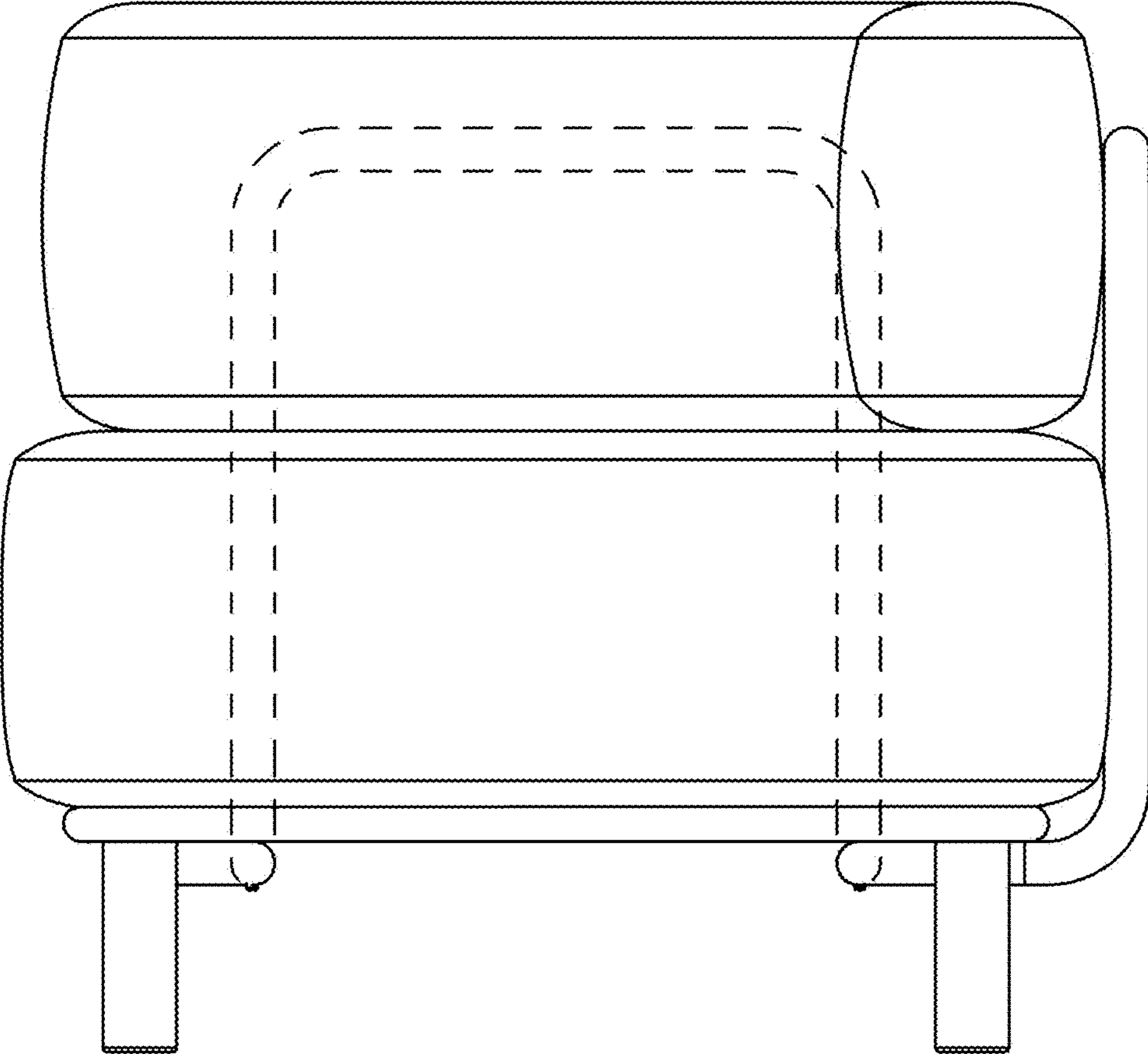


Fig. 2

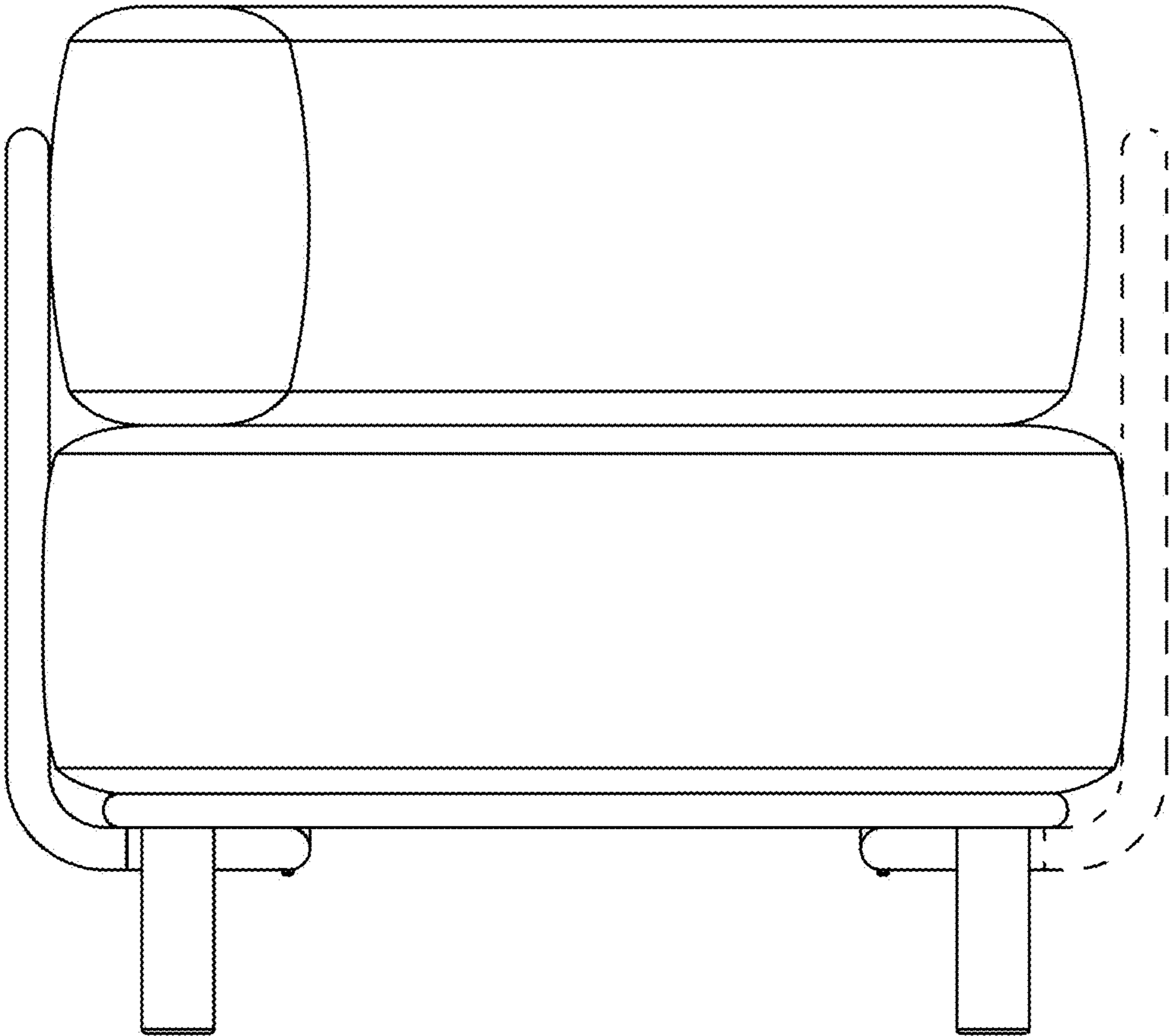


Fig. 3

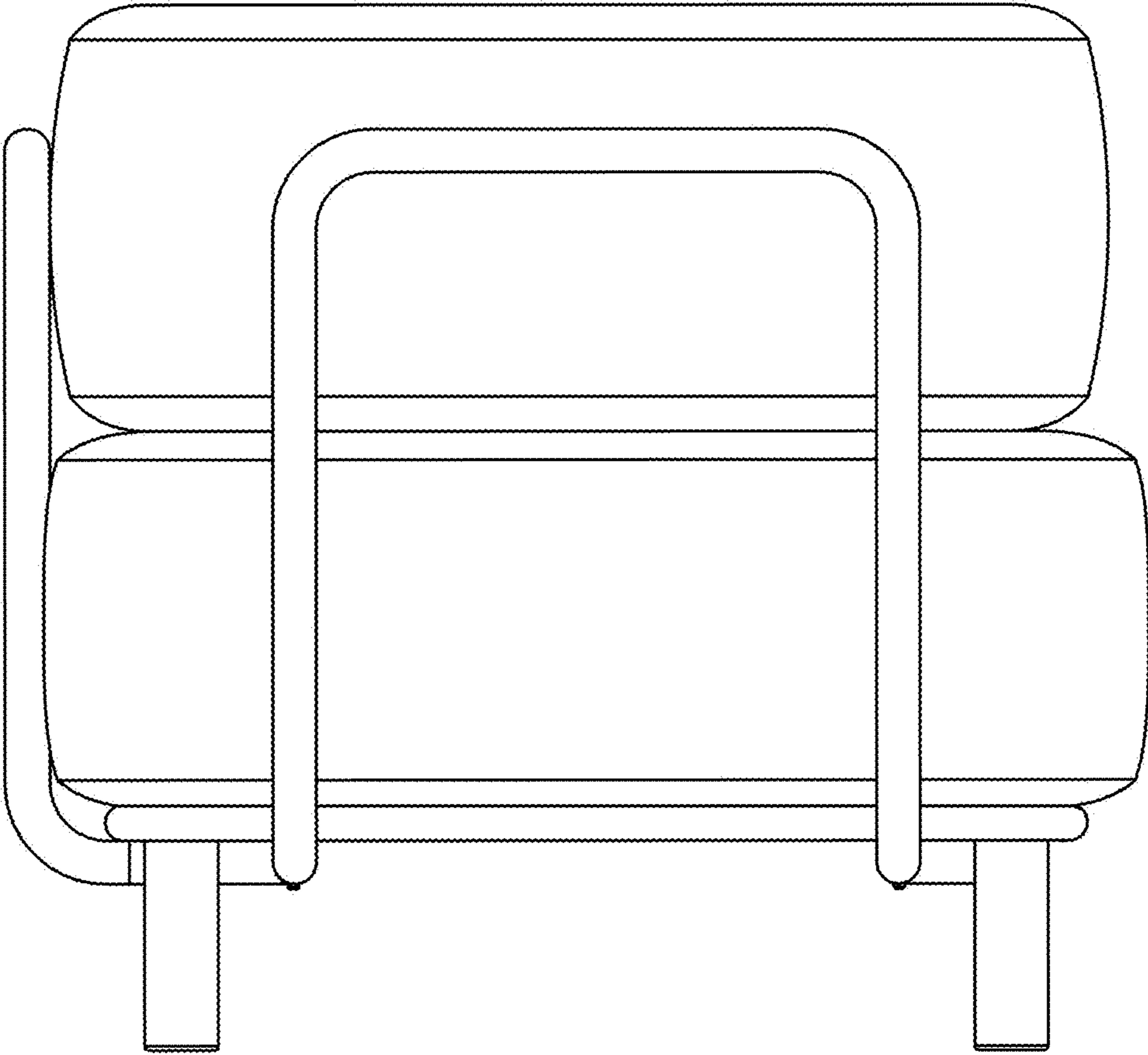


Fig. 4

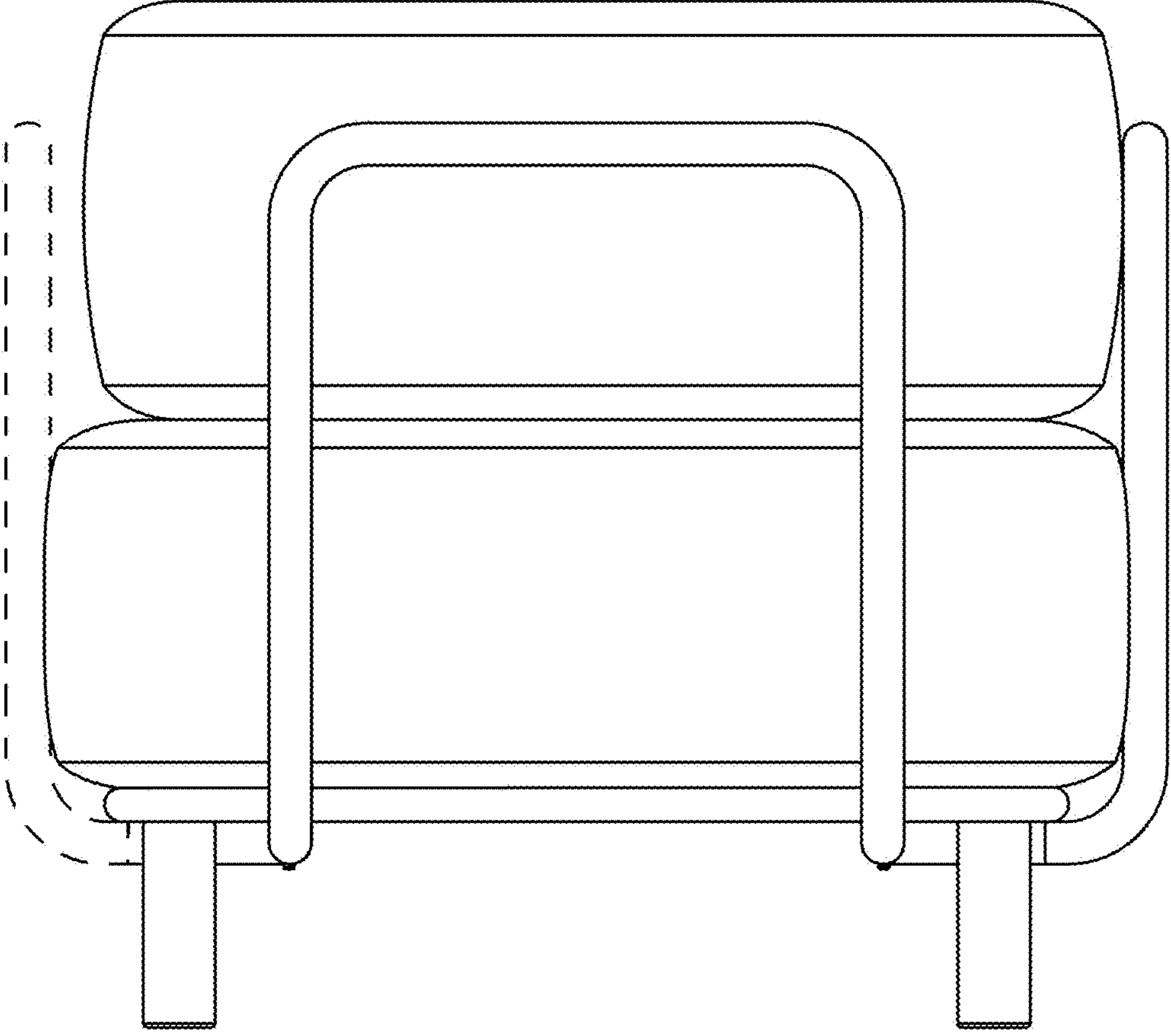


Fig. 5

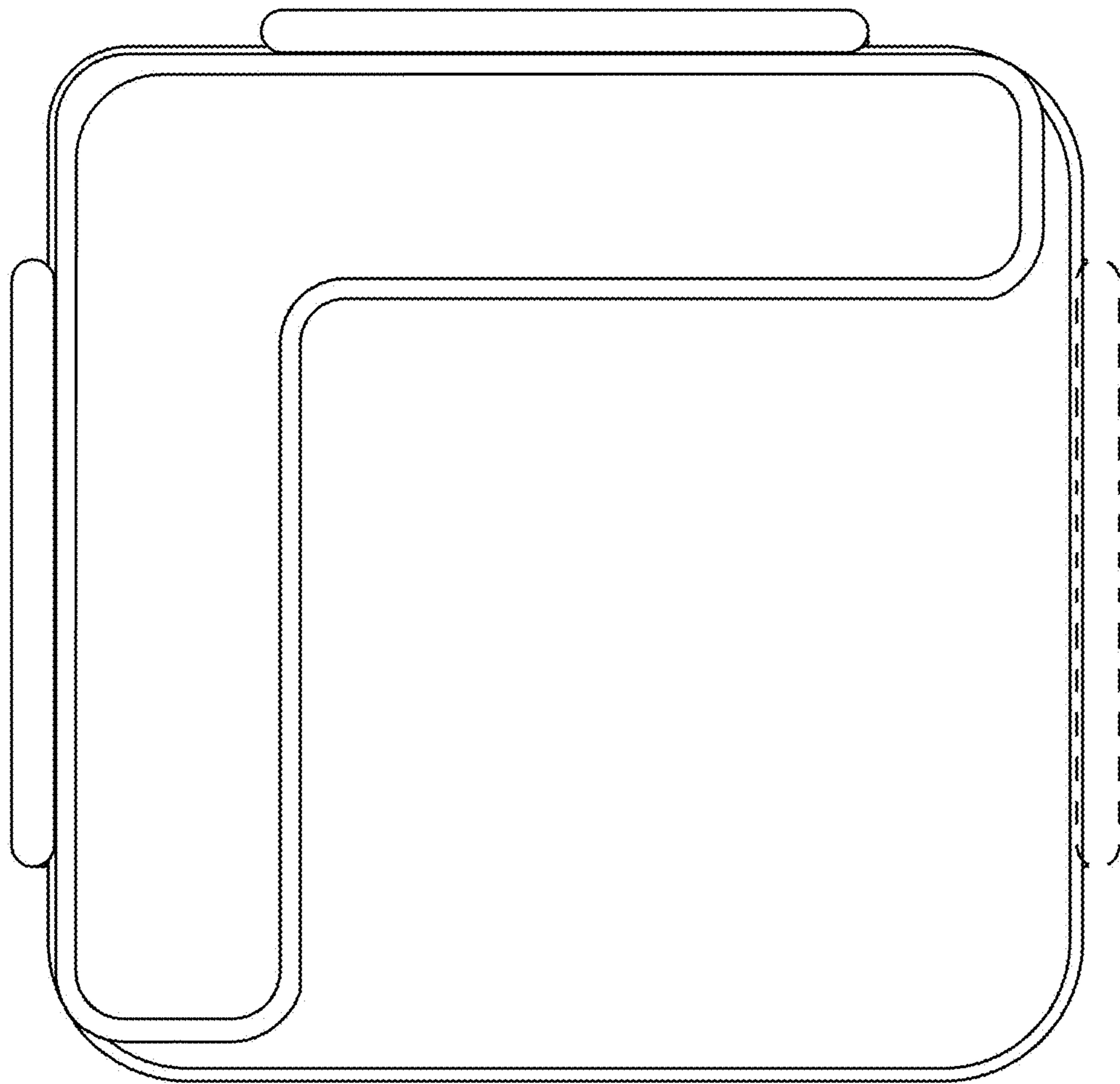


Fig. 6

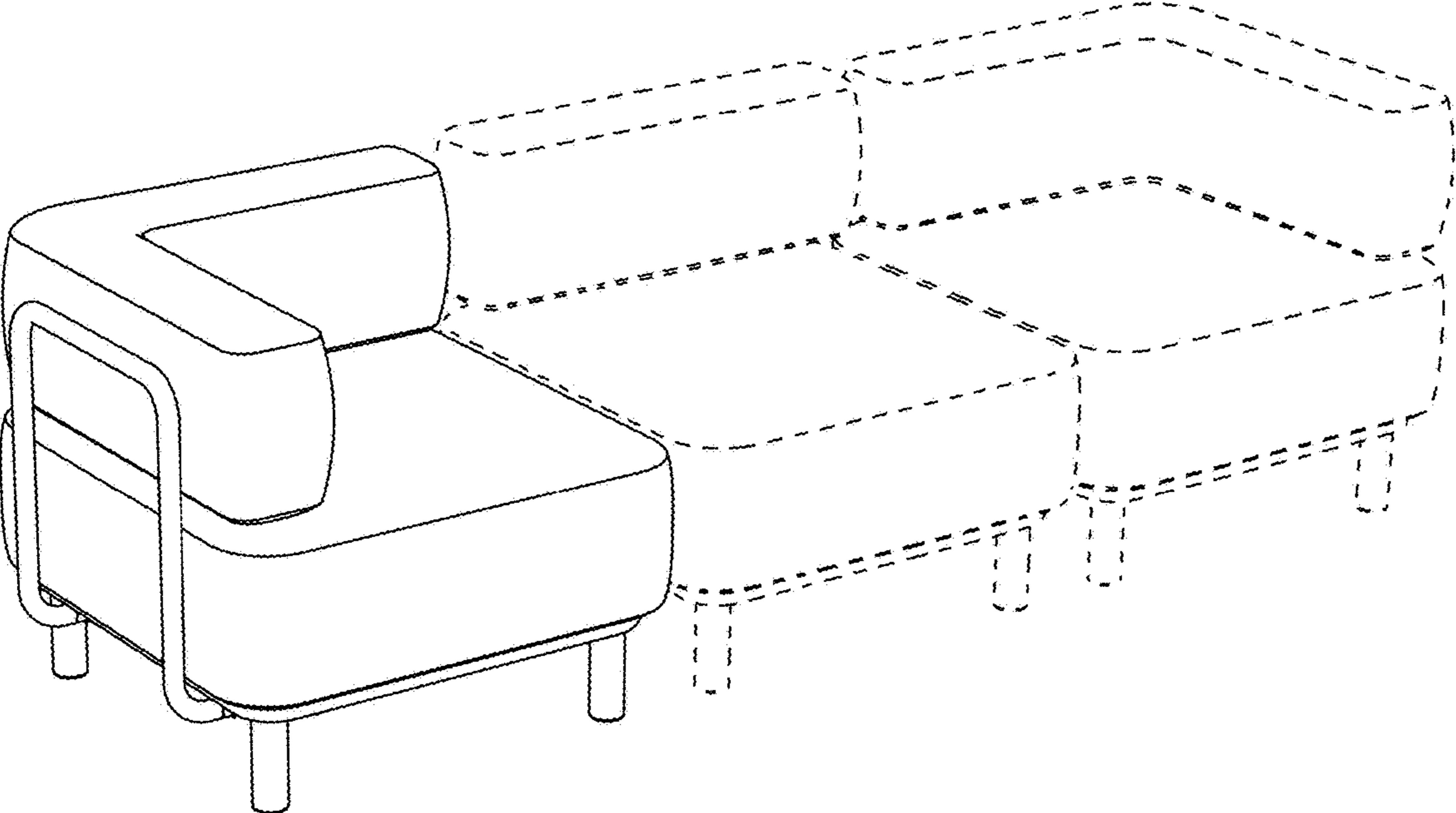


Fig. 7

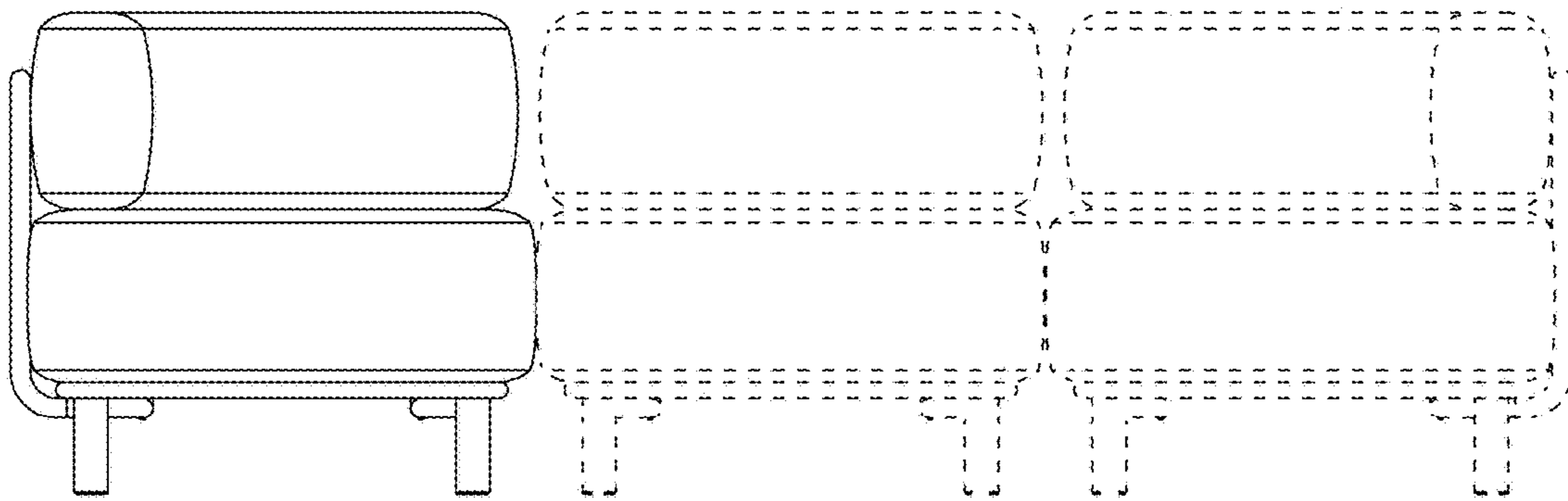


Fig. 8

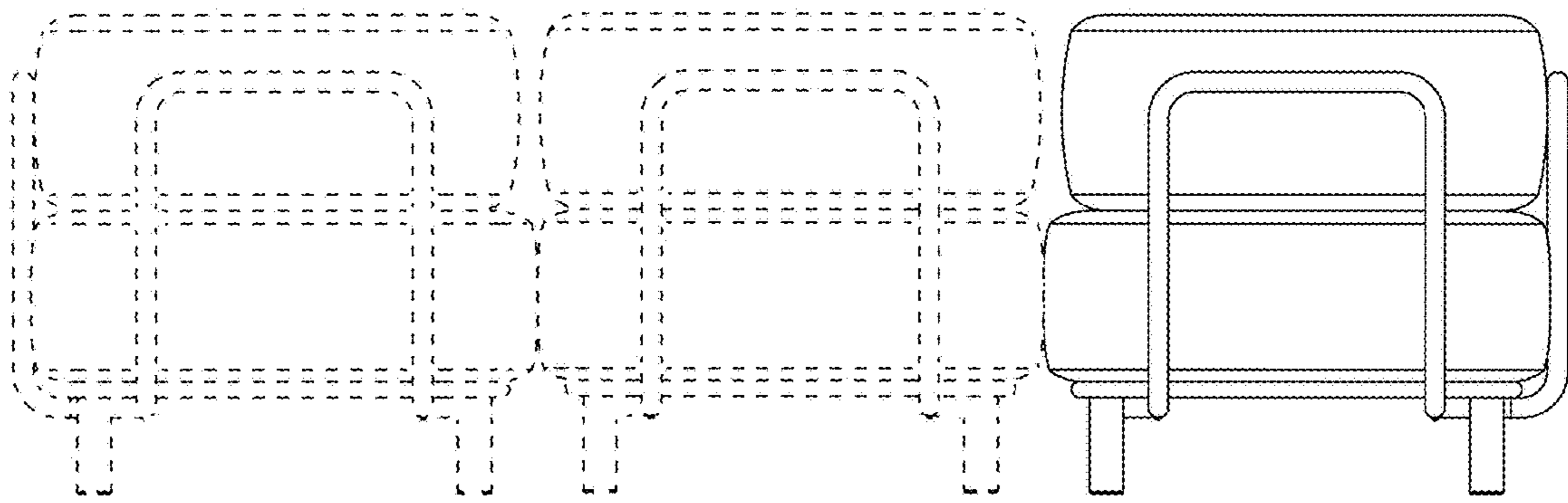


Fig. 9

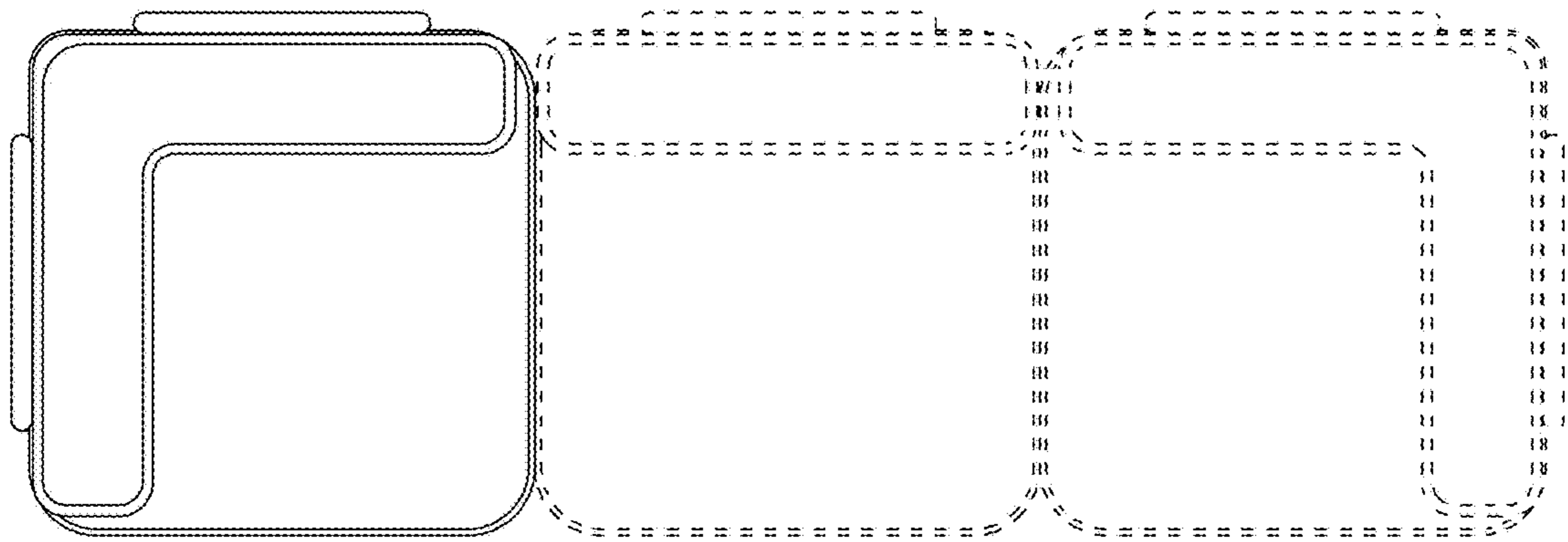


Fig. 10