



US00D859022S

(12) **United States Design Patent**  
**Jones**

(10) **Patent No.:** **US D859,022 S**

(45) **Date of Patent:** **\*\* Sep. 10, 2019**

(54) **CHAIR**

(71) Applicant: **Williams-Sonoma, Inc.**, San Francisco, CA (US)

(72) Inventor: **Anna Kodman Jones**, Brooklyn, NY (US)

(73) Assignee: **Williams-Sonoma, Inc.**, San Francisco, CA (US)

(\*\*) Term: **15 Years**

(21) Appl. No.: **29/607,152**

(22) Filed: **Jun. 9, 2017**

(51) **LOC (12) Cl.** ..... **06-01**

(52) **U.S. Cl.**

USPC ..... **D6/374; D6/380**

(58) **Field of Classification Search**

USPC ..... D6/334-336, 371, 372, 373, 374, 376, D6/379, 380, 716, 716.1, 716.2, 716.3, D6/716.4

CPC .. A47C 3/04; A47C 4/02; A47C 4/024; A47C 4/025; A47C 4/028; A47C 5/04; A47C 7/16; A47C 5/12

See application file for complete search history.

(56) **References Cited**

**U.S. PATENT DOCUMENTS**

D169,810 S \* 6/1953 Hamilton ..... D6/374  
D181,099 S \* 10/1957 Jones et al. .... D6/374

4,035,019 A \* 7/1977 Gabourie ..... A47C 5/04  
297/239  
D388,629 S \* 1/1998 Piretti ..... D6/380  
D464,494 S \* 10/2002 Gasca Burges ..... D6/380  
D661,119 S \* 6/2012 Rode ..... D6/374  
D767,295 S \* 9/2016 Haase ..... D6/374  
D815,449 S \* 4/2018 Hannoosh ..... D6/374

\* cited by examiner

*Primary Examiner* — Mimoso De

(74) *Attorney, Agent, or Firm* — Cook Alex Ltd.; R. Blake Johnston

(57) **CLAIM**

The ornamental design for a chair, as shown and described.

**DESCRIPTION**

FIG. 1 is a perspective view of the chair;  
FIG. 2 is a front elevation view of the chair;  
FIG. 3 is a rear elevation view of the chair;  
FIG. 4 is a left side elevation view of the chair, the opposite side of which is a mirror image;  
FIG. 5 is a top plan view of the chair; and  
FIG. 6 is a bottom plan view of the chair.  
The broken lines shown in the drawings are for illustrative purposes only and form no part of the claimed design.

**1 Claim, 5 Drawing Sheets**

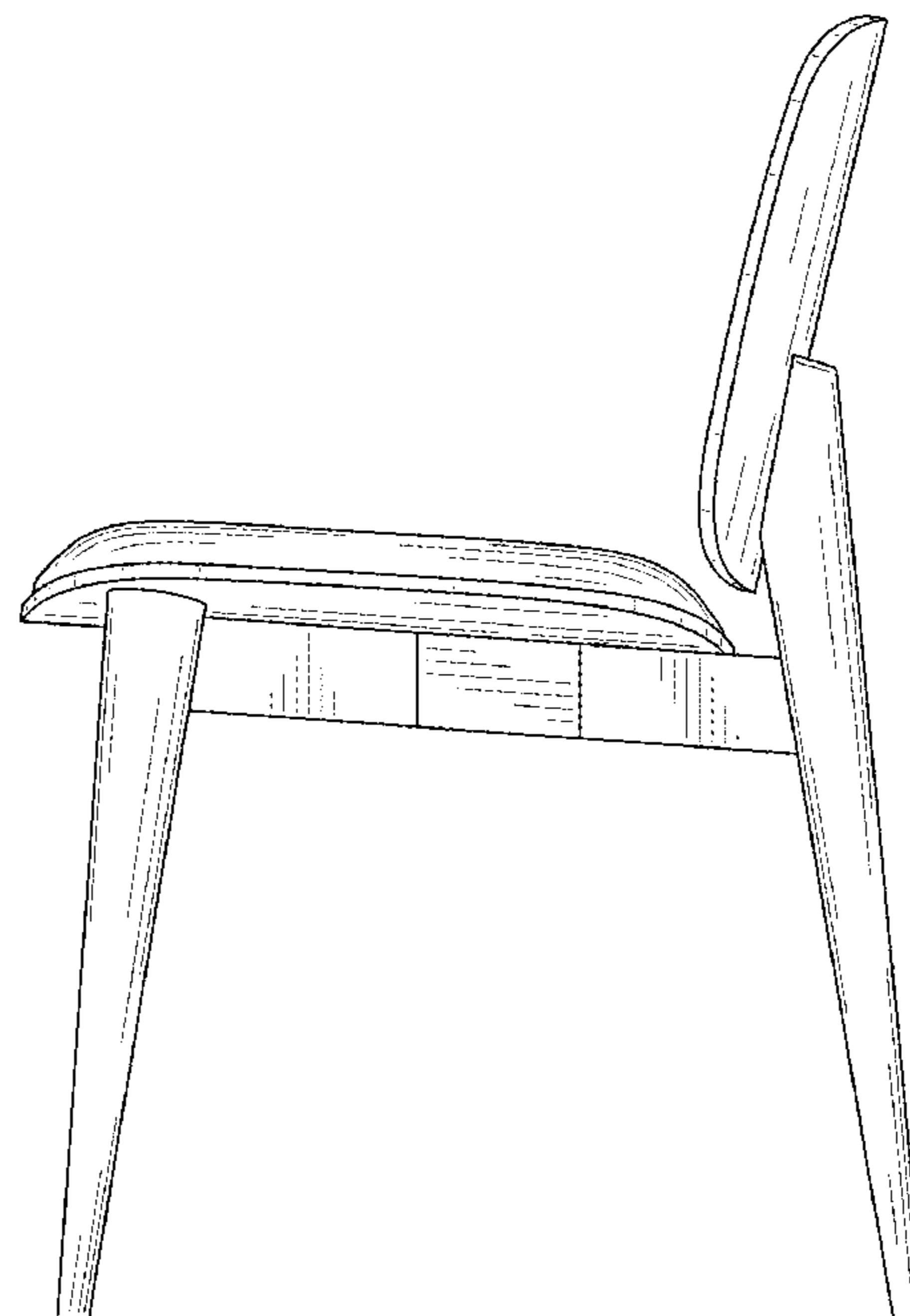
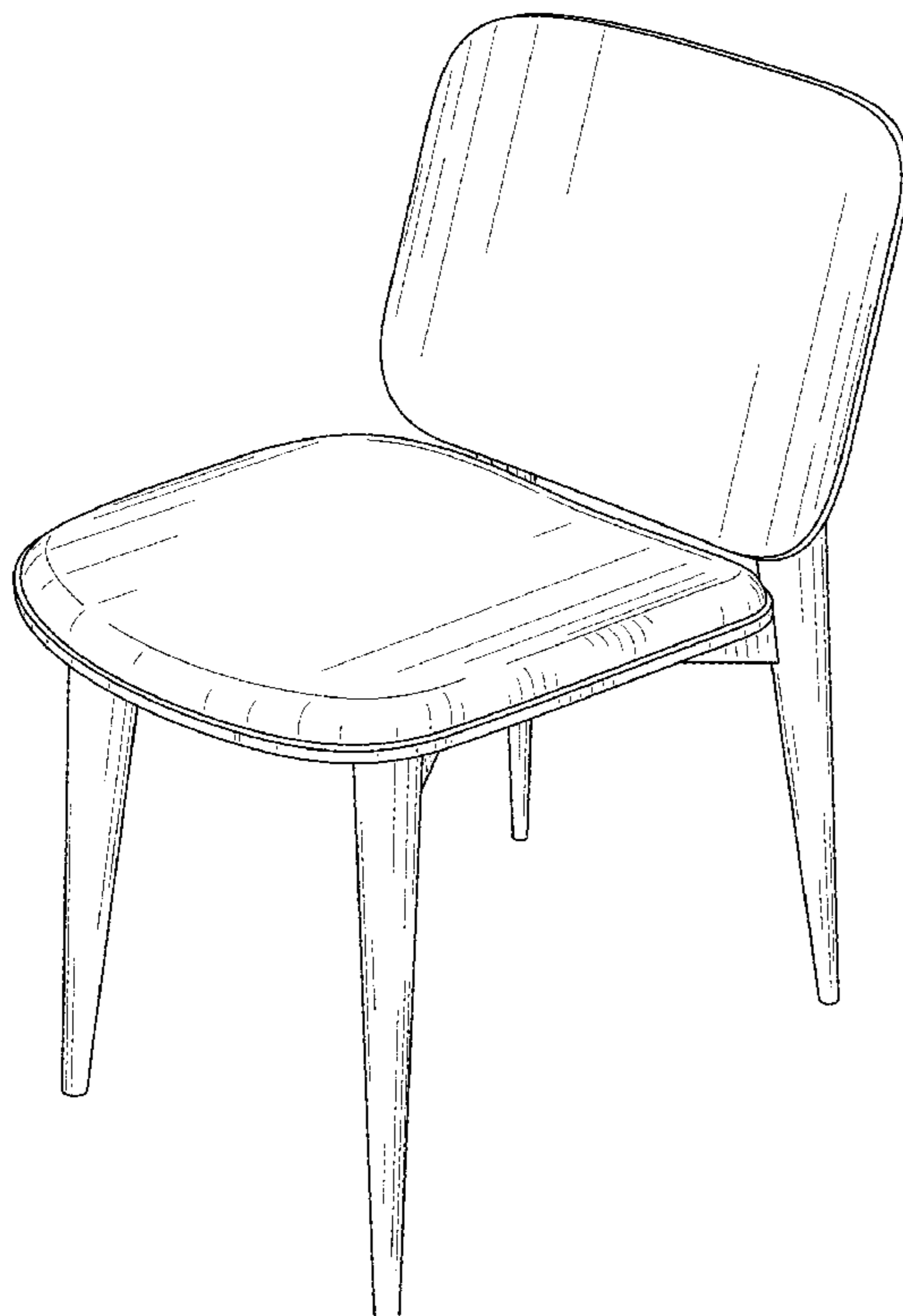




FIG. 1

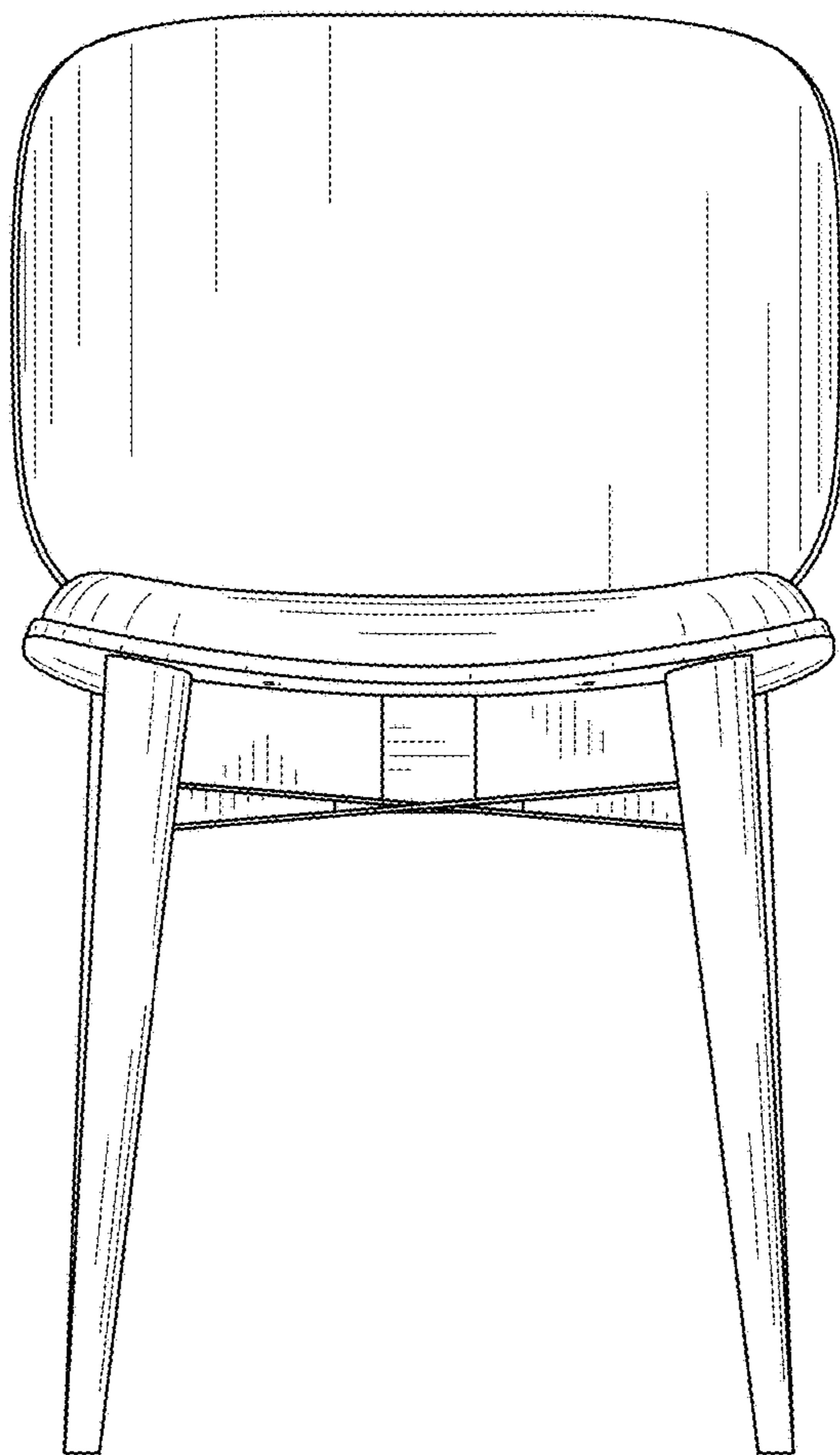


FIG. 2

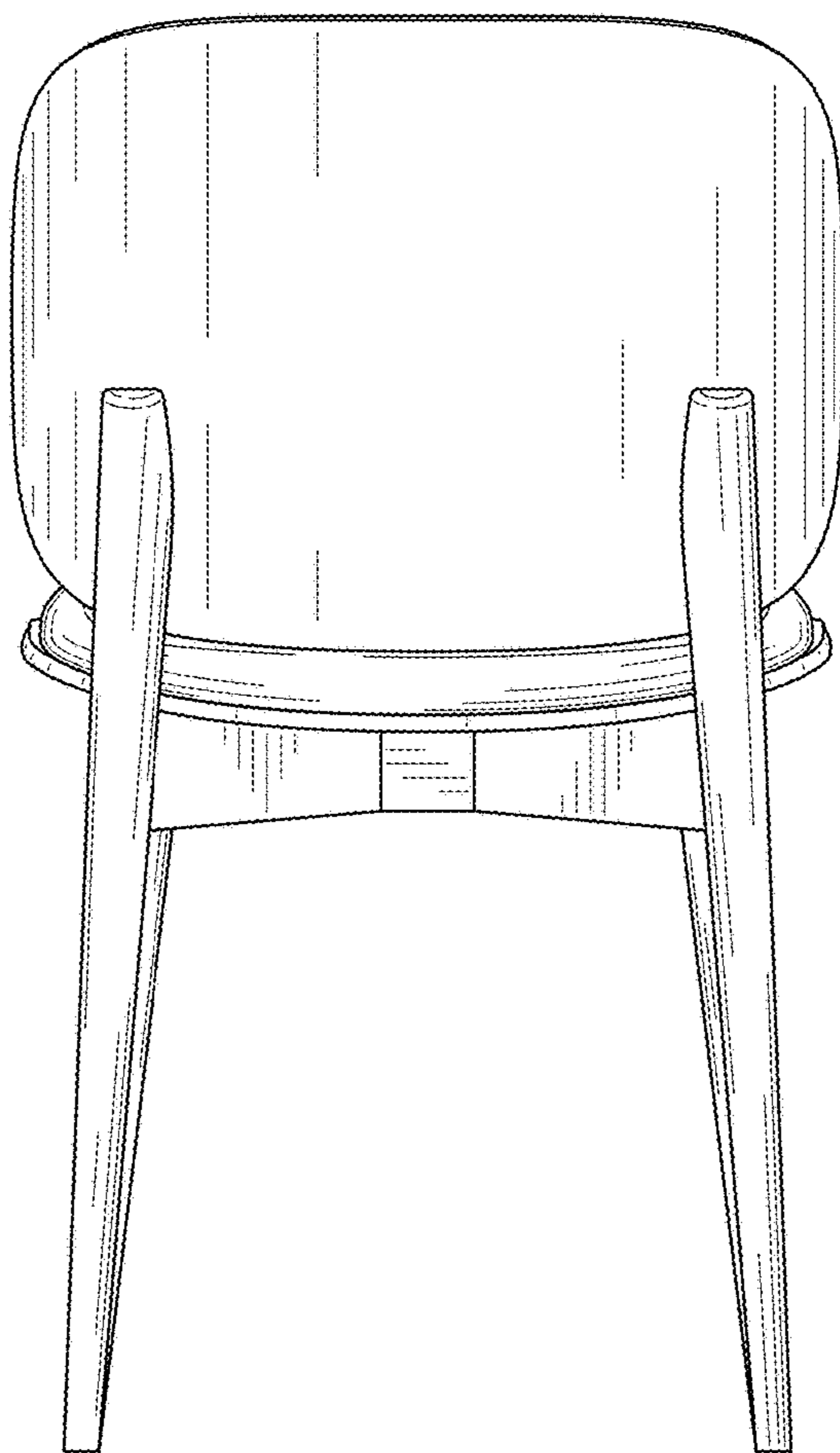


FIG. 3

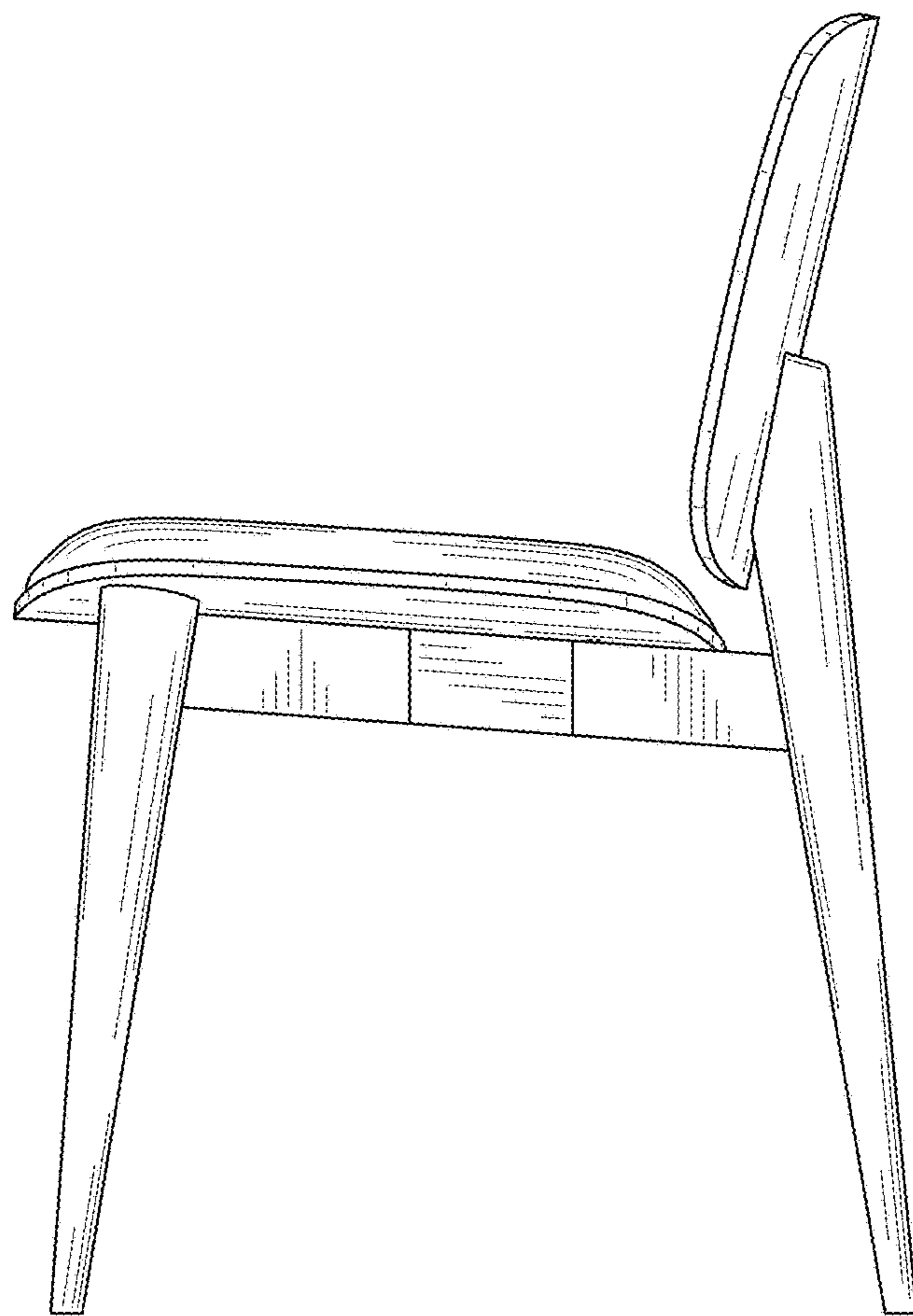


FIG. 4

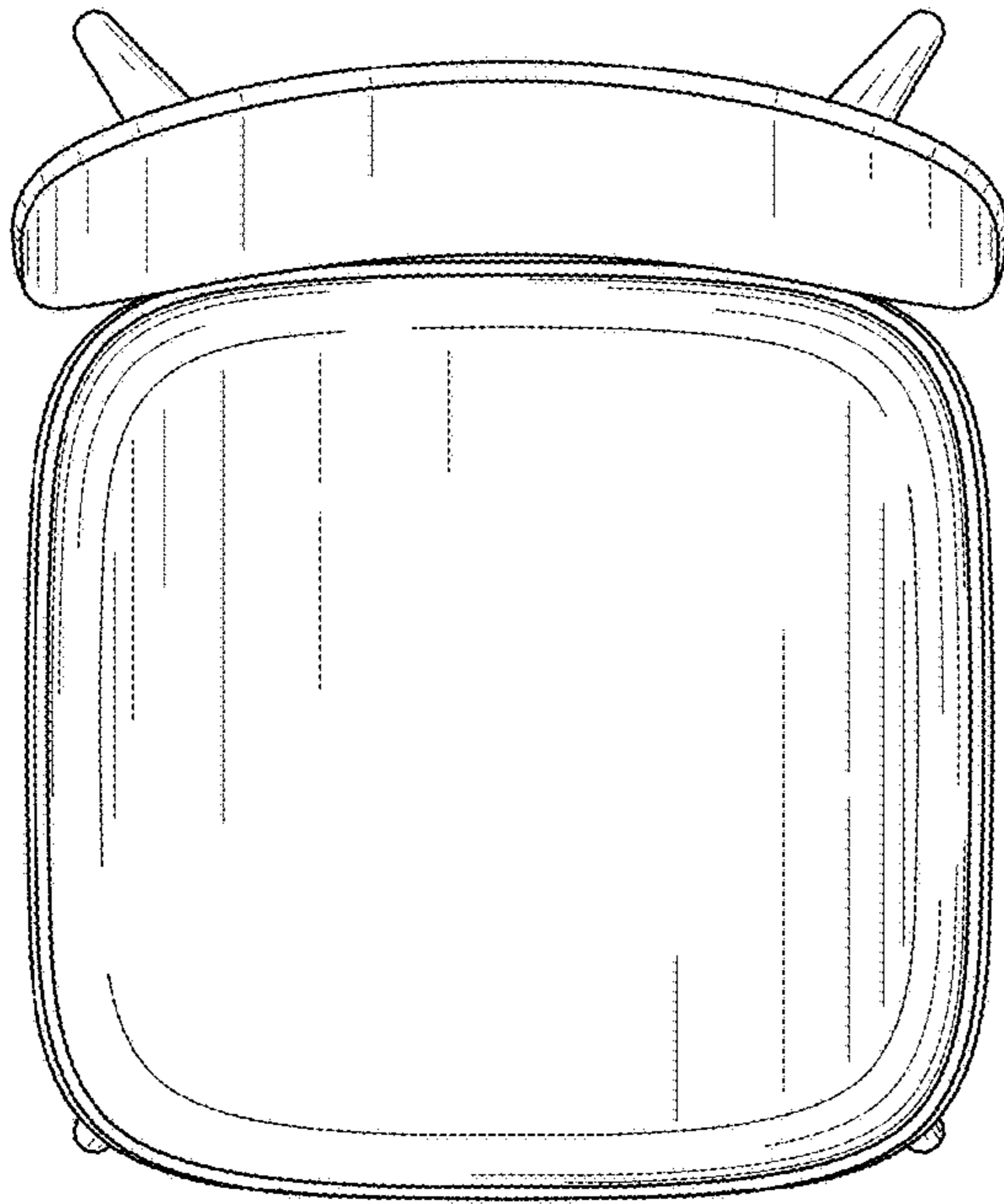


FIG. 5

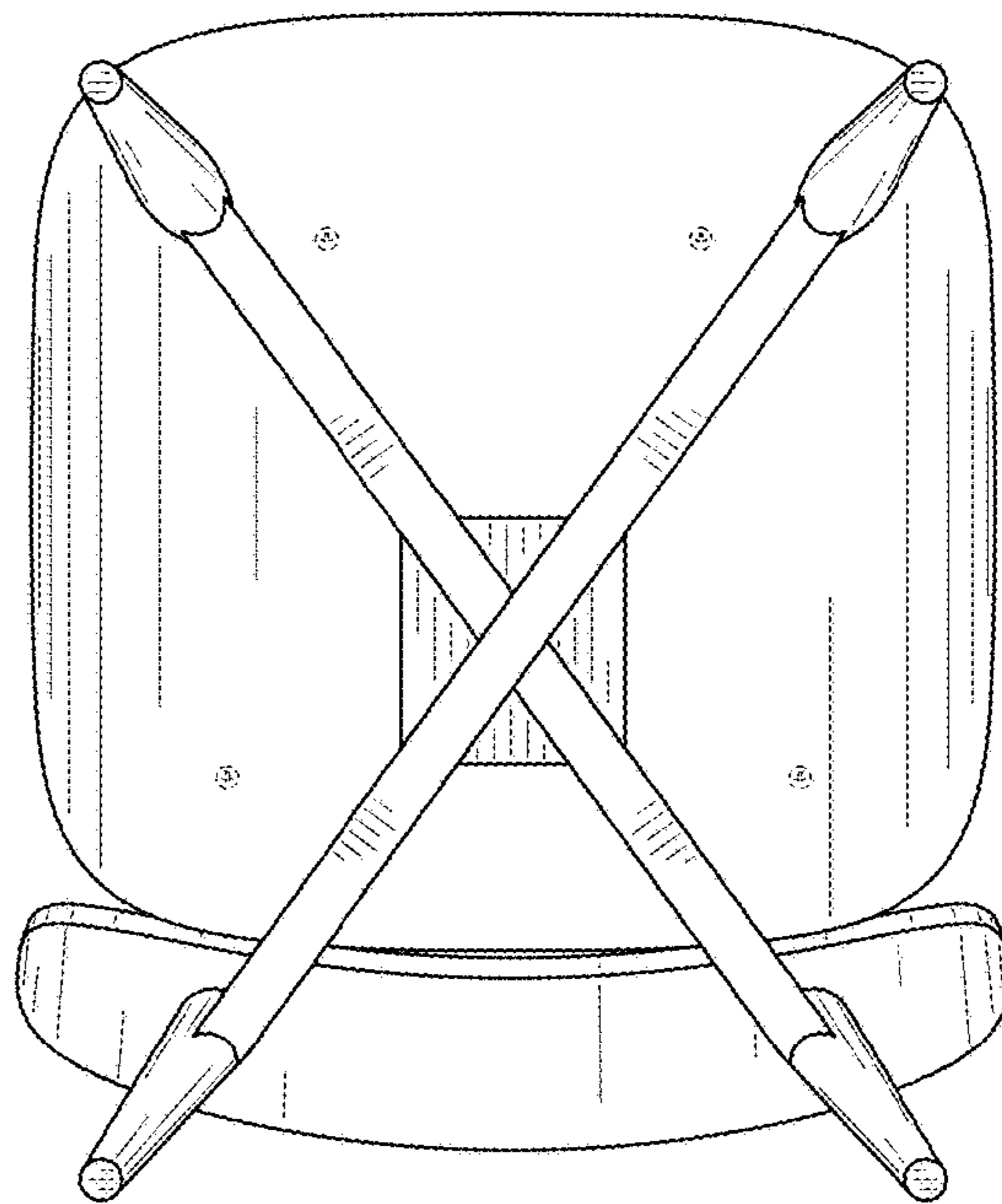


FIG. 6