



US00D859020S

(12) **United States Design Patent** (10) **Patent No.:** **US D859,020 S**  
**Bisaglia** (45) **Date of Patent:** **\*\* Sep. 10, 2019**

(54) **FOLDING CHAIR**  
(71) Applicant: **CASALA MEUBELEN**  
**NEDERLAND B.V.**, Culemborg (NL)  
(72) Inventor: **Giancarlo Bisaglia**, Cadoneghe (IT)  
(73) Assignee: **CASALA MEUBELEN**  
**NEDERLAND B.V.**, Culemborg (NL)  
(\*\*) Term: **15 Years**  
(21) Appl. No.: **29/601,235**

D544,225 S \* 6/2007 Cantarutti ..... D6/368  
D599,127 S \* 9/2009 Smith ..... D6/368  
D647,718 S \* 11/2011 Chen ..... D6/368  
D655,932 S \* 3/2012 Ashby ..... D6/368  
D667,649 S \* 9/2012 Waite ..... A47C 4/20  
D686,007 S \* 7/2013 Johnson ..... D6/368  
8,678,700 B2 \* 3/2014 Tsai ..... A47C 4/14  
297/16.1  
D721,528 S \* 1/2015 Peery ..... D6/368  
D793,113 S \* 8/2017 Lin ..... D6/368  
D794,372 S \* 8/2017 Lin ..... D6/368  
D802,954 S \* 11/2017 Lin ..... D6/368

\* cited by examiner

(22) Filed: **Apr. 20, 2017**

(30) **Foreign Application Priority Data**

Oct. 21, 2016 (EP) ..... 003429109

(51) **LOC (12) Cl.** ..... **06-01**

(52) **U.S. Cl.**  
USPC ..... **D6/368**

(58) **Field of Classification Search**  
USPC ..... D6/334-336, 368, 373, 374, 376, 379,  
D6/380, 716, 716.1, 716.2, 716.3, 716.4  
CPC .. A47C 3/04; A47C 3/045; A47C 4/00; A47C  
4/03; A47C 4/04; A47C 4/08; A47C 4/14;  
A47C 4/18; A47C 4/20; A47C 4/24;  
A47C 5/04; A47C 5/043

See application file for complete search history.

(56) **References Cited**

**U.S. PATENT DOCUMENTS**

2,757,715 A \* 8/1956 Hendrickson ..... A47C 4/24  
297/58  
3,695,687 A \* 10/1972 Uyeda ..... A47C 4/24  
297/56

*Primary Examiner* — Mimosa De

(74) *Attorney, Agent, or Firm* — Porzio Bromberg & Newman P.C.

(57) **CLAIM**

I claim, the ornamental design for a folding chair, as shown and described.

**DESCRIPTION**

FIG. 1 is a perspective view, showing our new design;  
FIG. 2 is a left side view thereof;  
FIG. 3 is a top view thereof;  
FIG. 4 is a rear view thereof;  
FIG. 5 is a front view of the folding chair in a folded position; and,  
FIG. 6 is a side view of FIG. 5.  
The broken lines shown in the figures form no part of the claimed design.

**1 Claim, 6 Drawing Sheets**

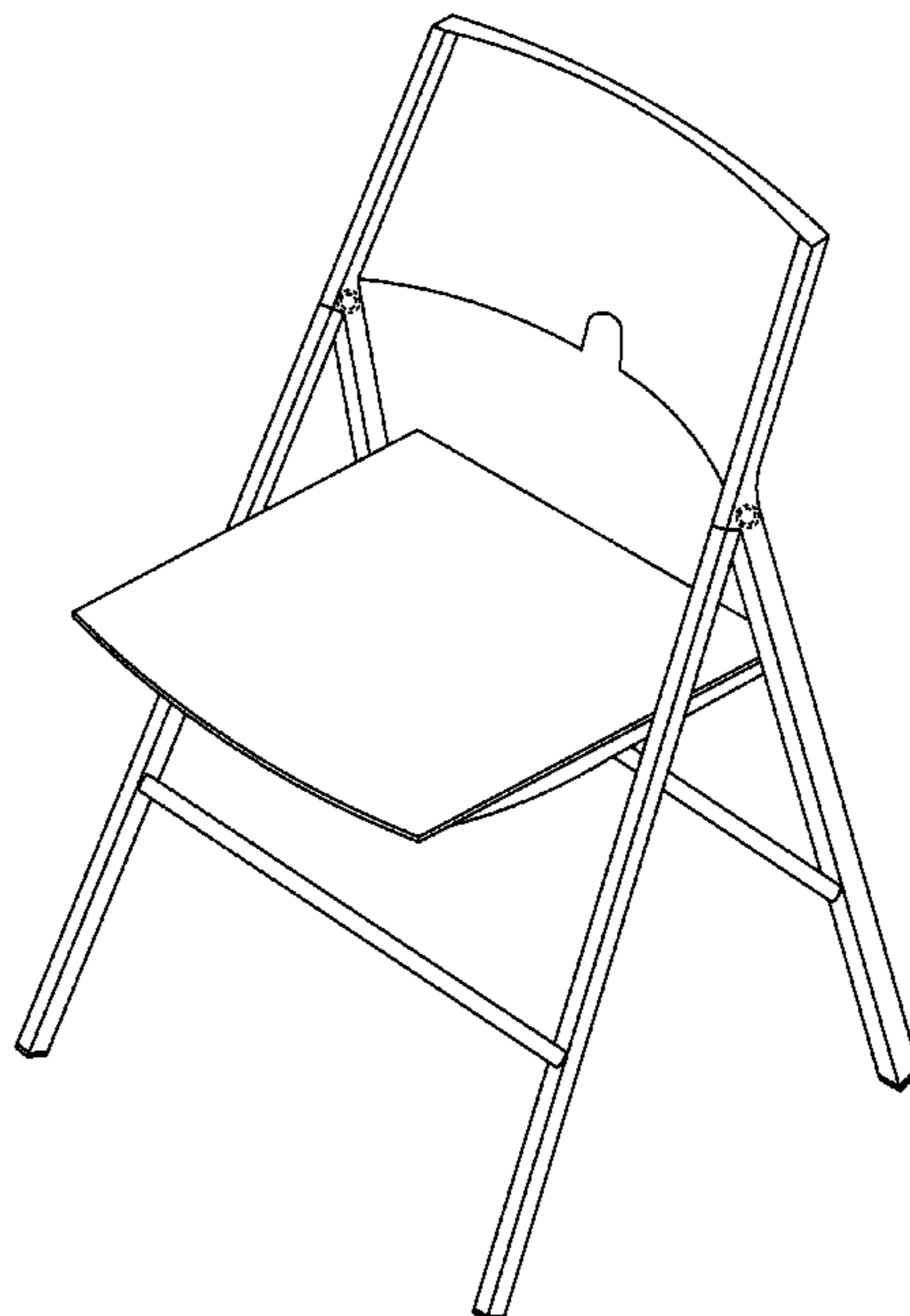




Fig. 1

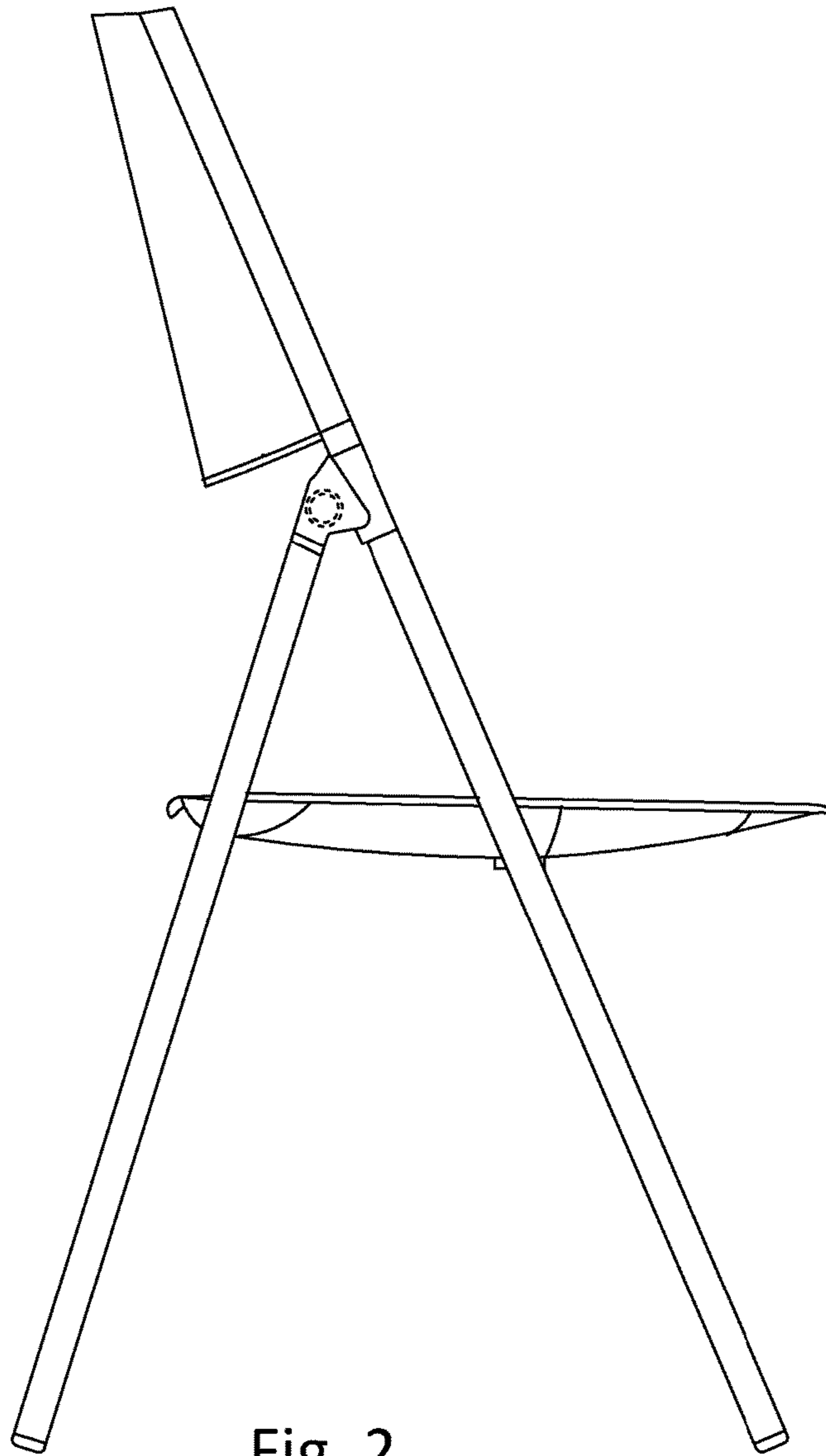


Fig. 2

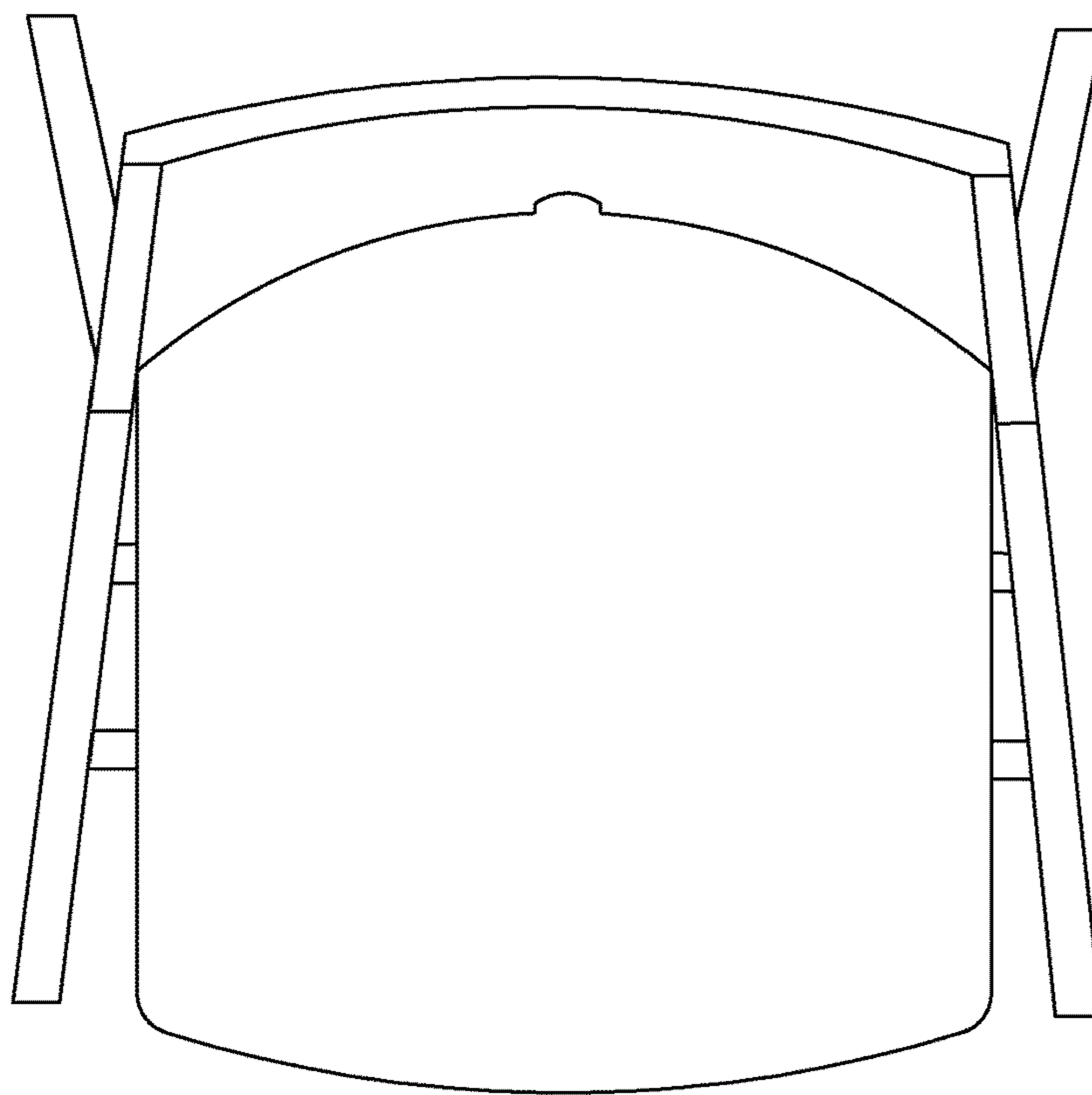


Fig. 3

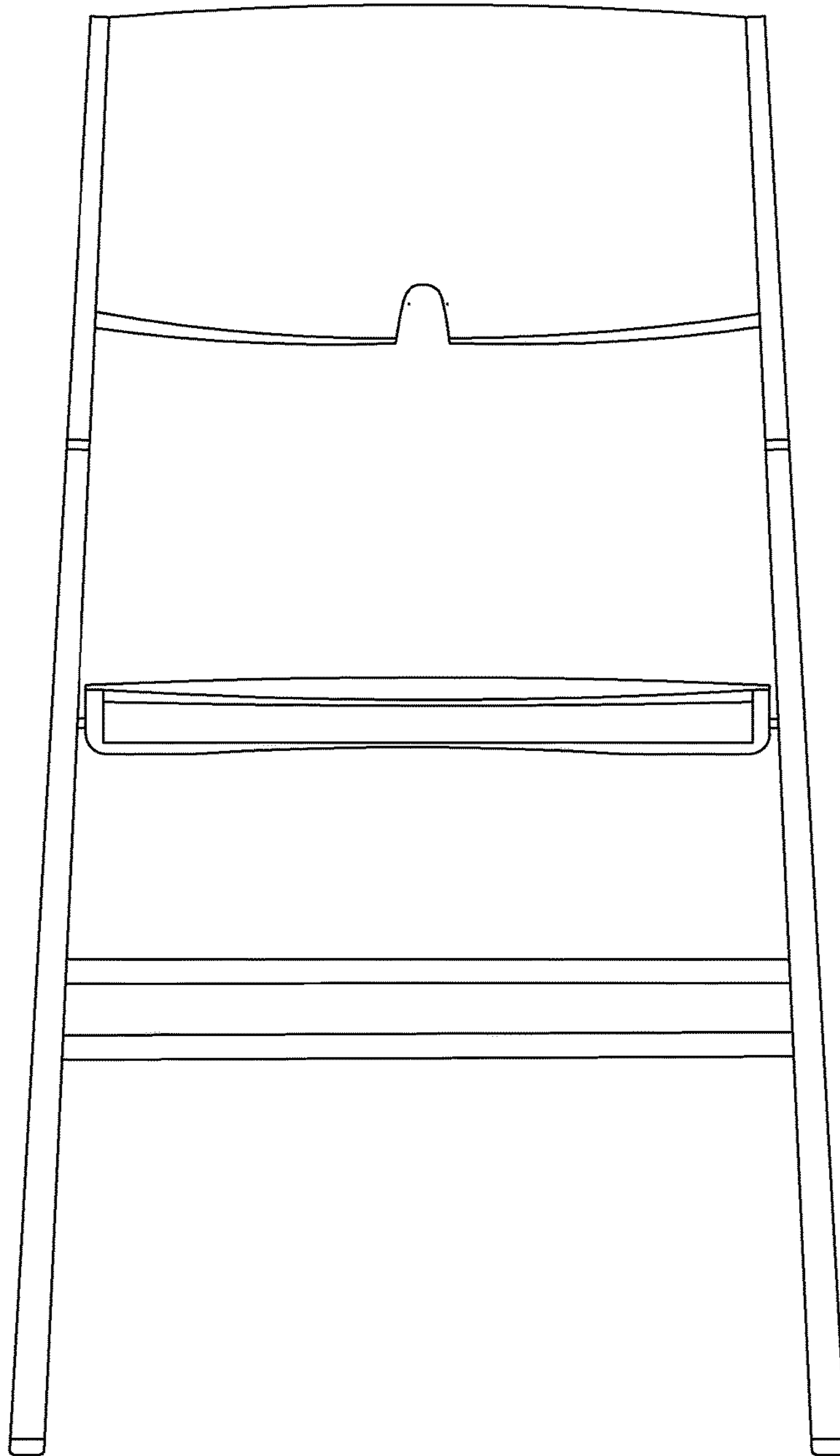
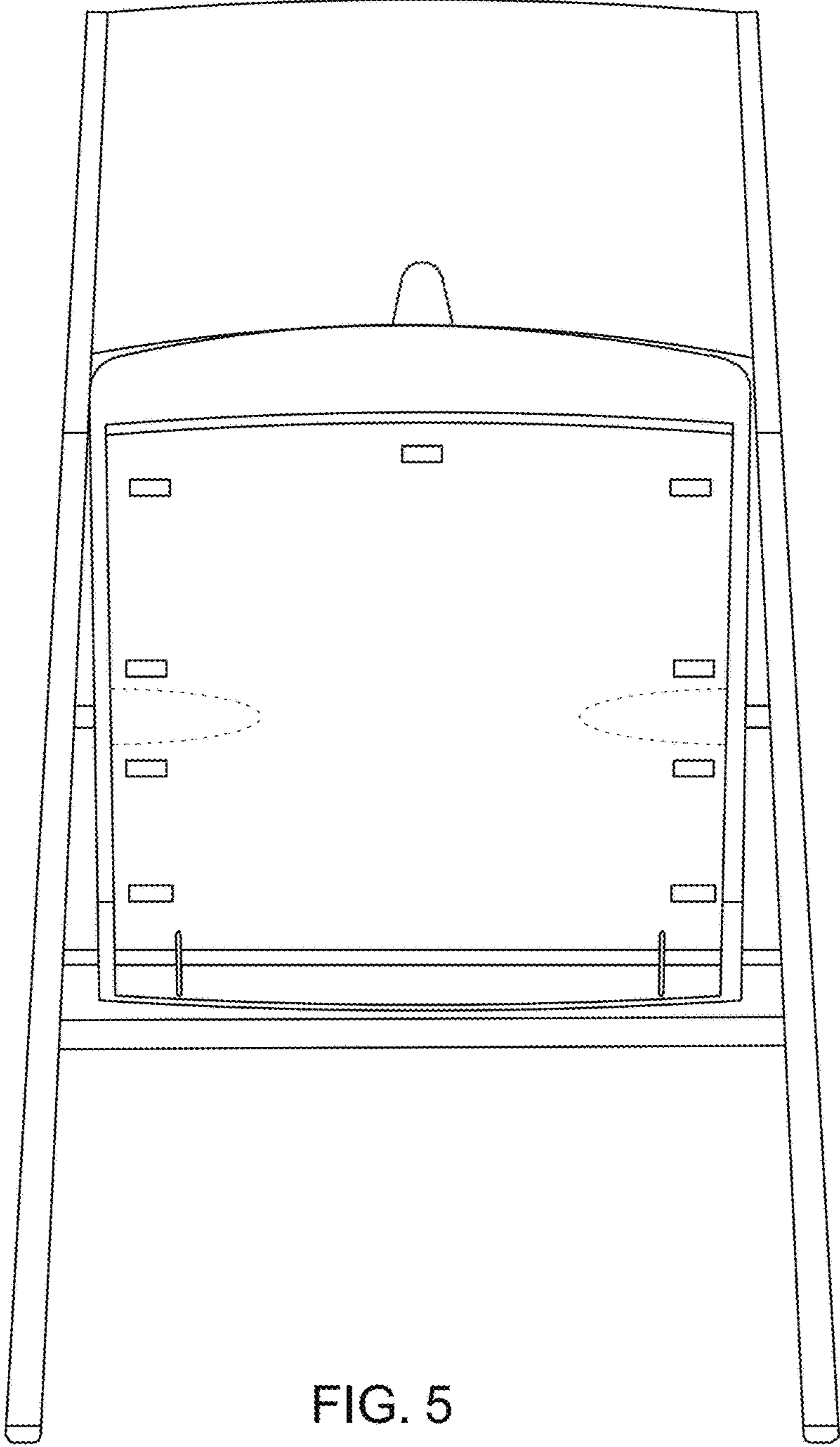


Fig. 4



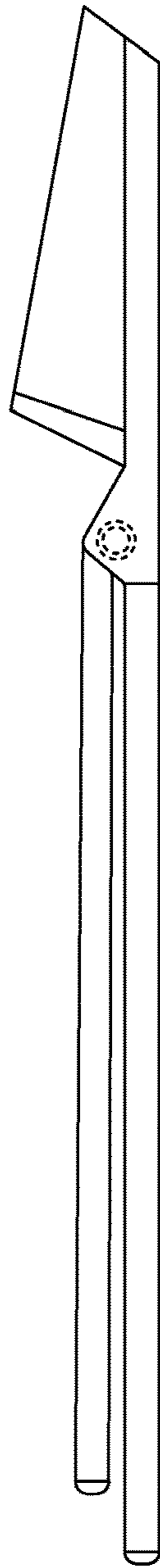


Fig. 6