



US00D859019S

(12) **United States Design Patent** (10) **Patent No.:** **US D859,019 S**
Lievore et al. (45) **Date of Patent:** **** Sep. 10, 2019**

(54) **ARMCHAIR** D240,375 S * 7/1976 Buhk D6/366
D393,956 S * 5/1998 Kane D6/334
(71) Applicant: **ARPER S.p.A.**, Monastier di Treviso D651,419 S * 1/2012 Lievore D6/334
(IT) D746,609 S * 1/2016 Lievore D6/375
(72) Inventors: **Alberto Lievore**, Treviso (IT); 9,398,811 B1 * 7/2016 Williams A47C 3/12
Jeannette Altherr, Treviso (IT); **Manel** D766,640 S * 9/2016 Kubryk A47C 5/12
Molina, Treviso (IT) D6/716
9,629,465 B2 * 4/2017 Williams A47C 3/18
D794,368 S * 8/2017 Swy A47C 3/18
(73) Assignee: **ARPER S.p.A.**, Monastier di Treviso D6/366
(IT) D808,182 S * 1/2018 Baron D6/334
D811,757 S * 3/2018 Moscheri D6/334

(**) Term: **15 Years**

* cited by examiner

(21) Appl. No.: **35/503,848**

Primary Examiner — Mary Ann Calabrese

(22) Filed: **Aug. 29, 2017**

(74) *Attorney, Agent, or Firm* — Thomas|Horstemeyer,
LLP

(80) **Hague Agreement Data**

Int. Filing Date: **Aug. 29, 2017**
Int. Reg. No.: **DM/097946**
Int. Reg. Date: **Aug. 29, 2017**
Int. Reg. Pub. Date: **Oct. 20, 2017**

(57) **CLAIM**

The ornamental design for an armchair, as shown and described.

(30) **Foreign Application Priority Data**

Mar. 31, 2017 (WO) DM/096824

(51) **LOC (12) Cl.** **06-01**

DESCRIPTION

(52) **U.S. Cl.**
USPC **D6/366; D6/375**

(58) **Field of Classification Search**
USPC D6/334, 360, 369–377
CPC A47C 3/00; A47C 4/00; A47C 4/02; A47C
5/00; A47C 5/04; A47C 5/12; A47C 7/00;
A47C 7/002; A47C 7/004; A47C 7/006
See application file for complete search history.

- 1. Armchair
- 1.1 is a perspective view;
- 1.2 is a right side view;
- 1.3 is a left side view;
- 1.4 is a front view;
- 1.5 is a rear view;
- 1.6 is a top view;
- 1.7 is a bottom view.

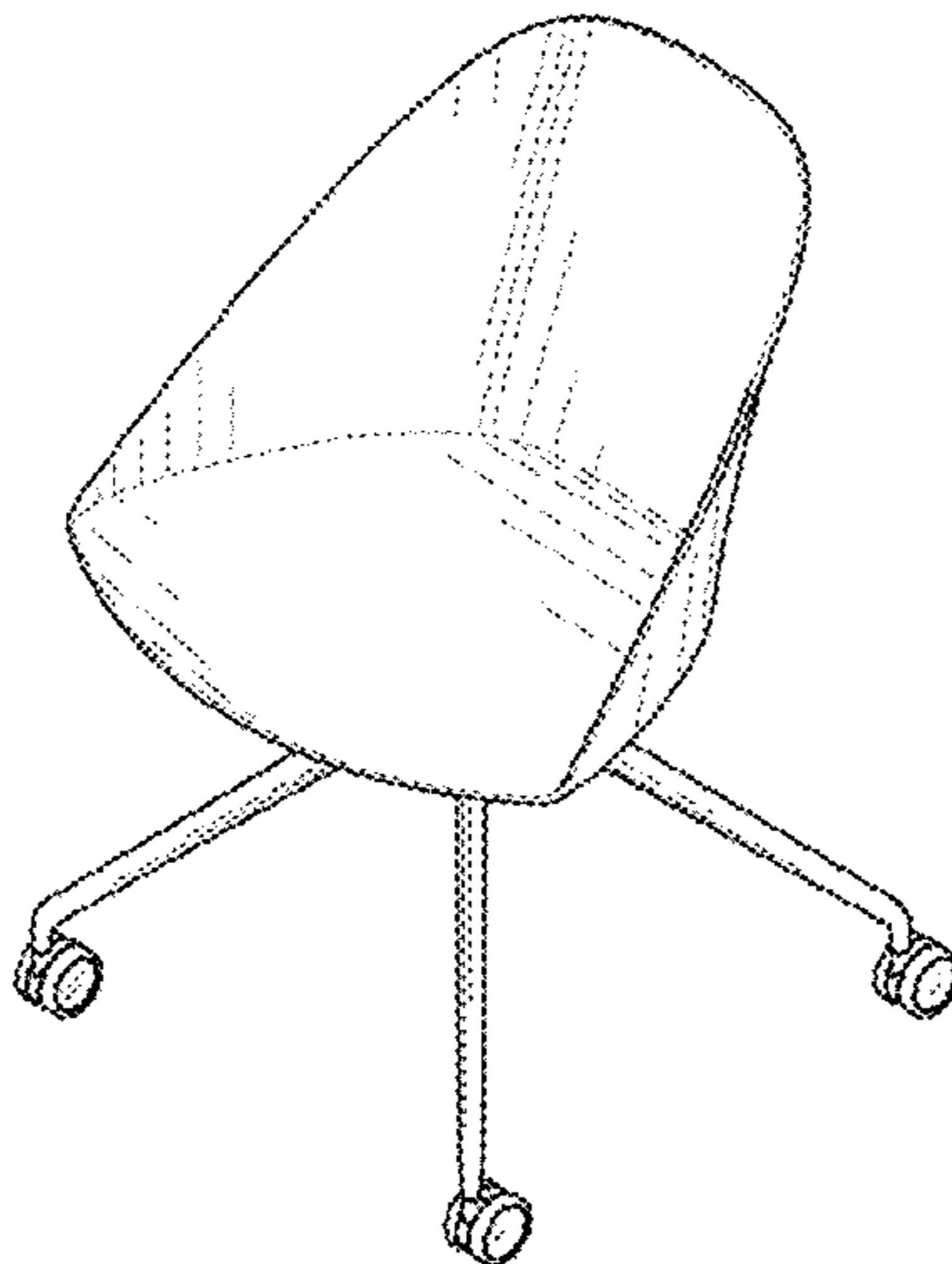
The broken lines shown in the drawings of the armchair are for the purposes of illustrating the environment and form no part of the claimed design.

(56) **References Cited**

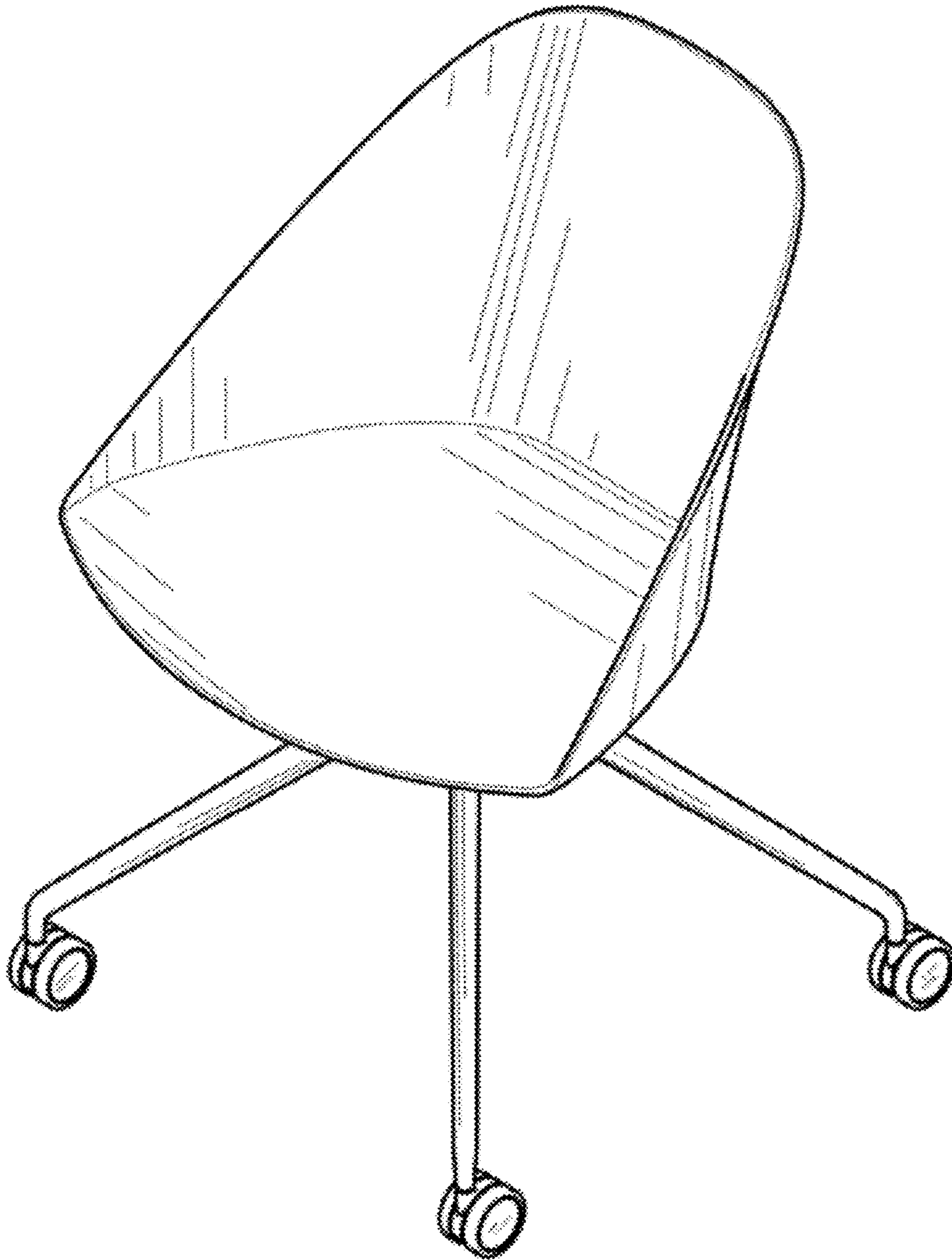
U.S. PATENT DOCUMENTS

D205,939 S * 10/1966 Laverne et al. D6/375
3,281,185 A * 10/1966 Albinson A47C 5/12
297/218.5

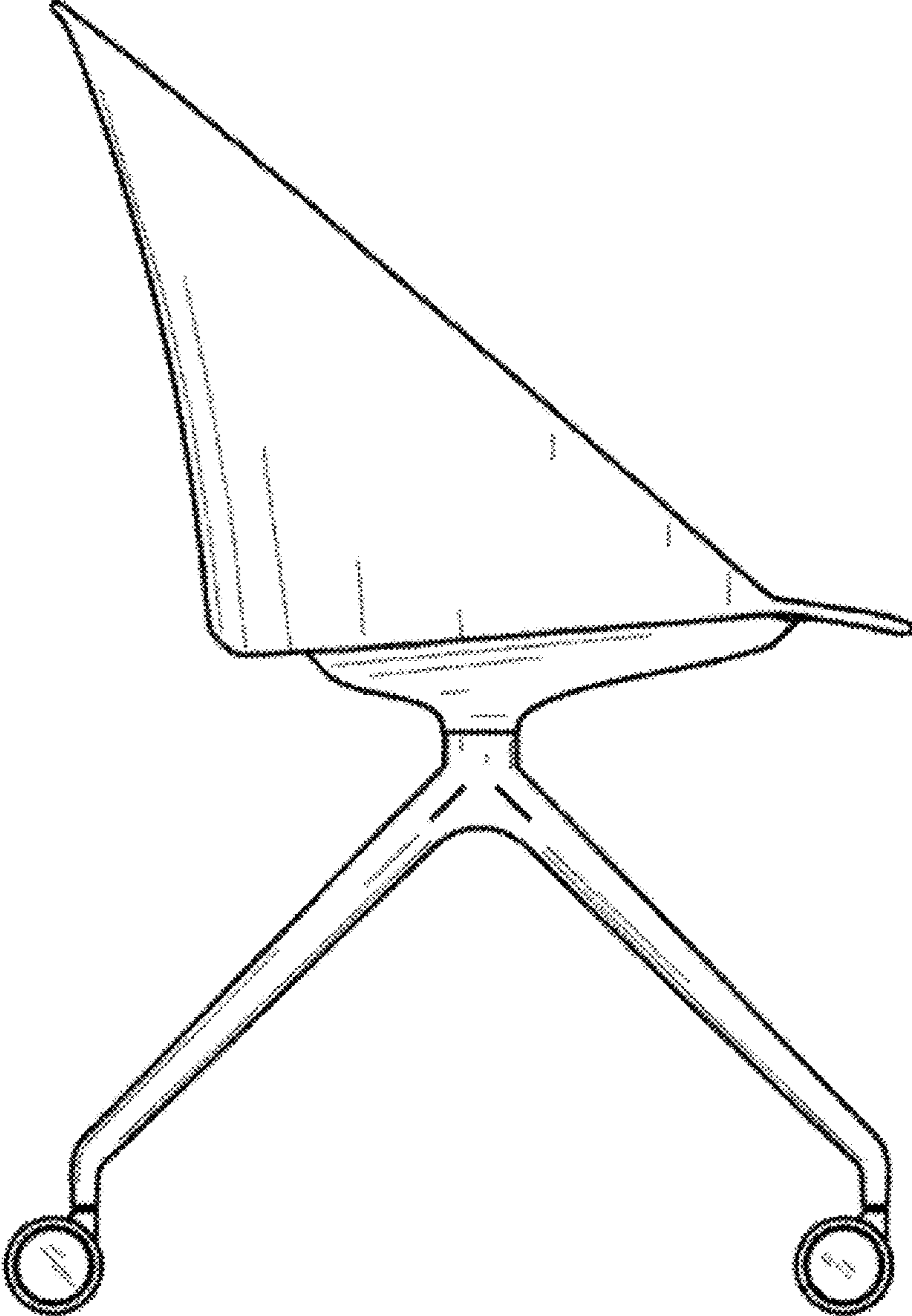
1 Claim, 7 Drawing Sheets



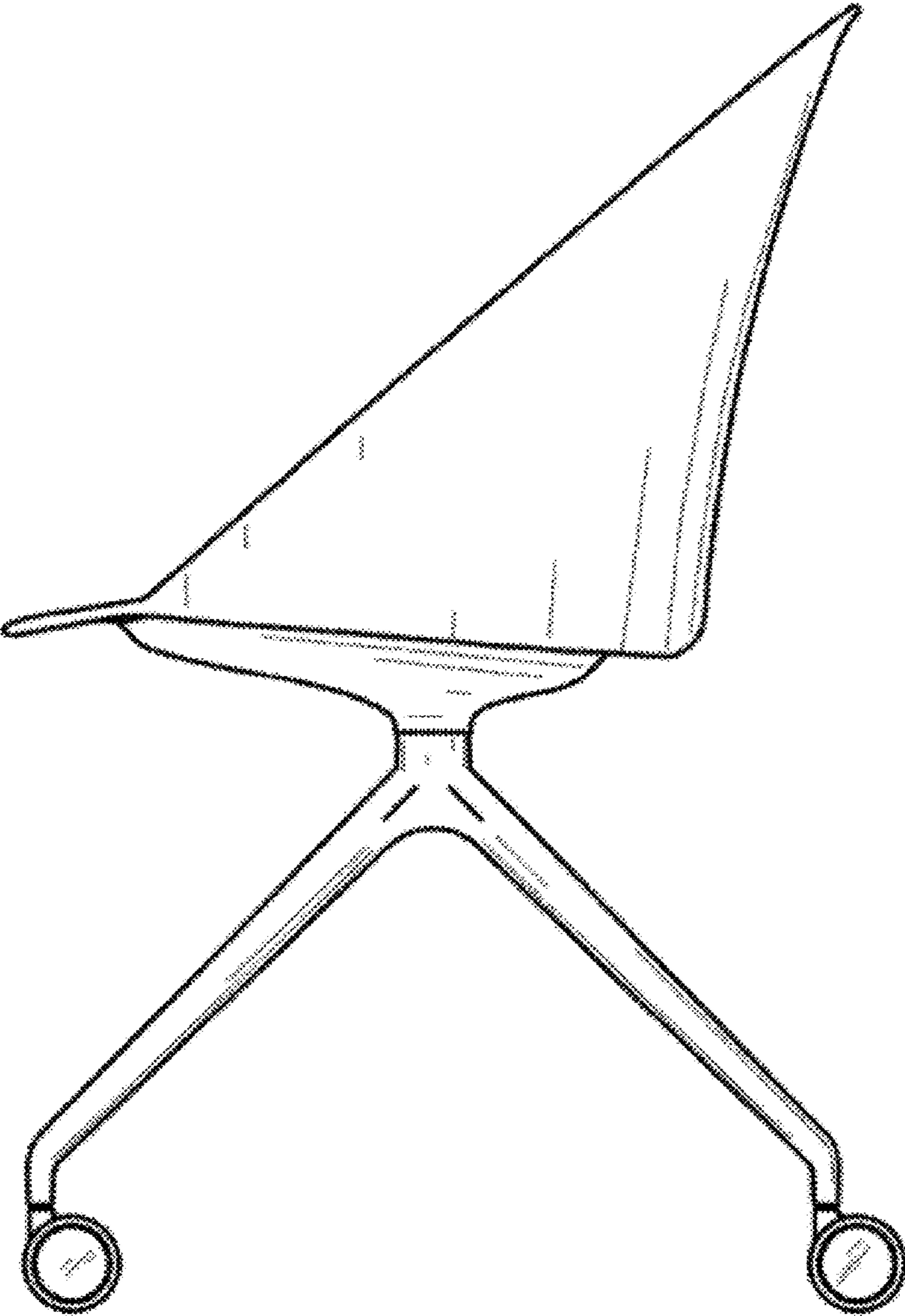
1.1



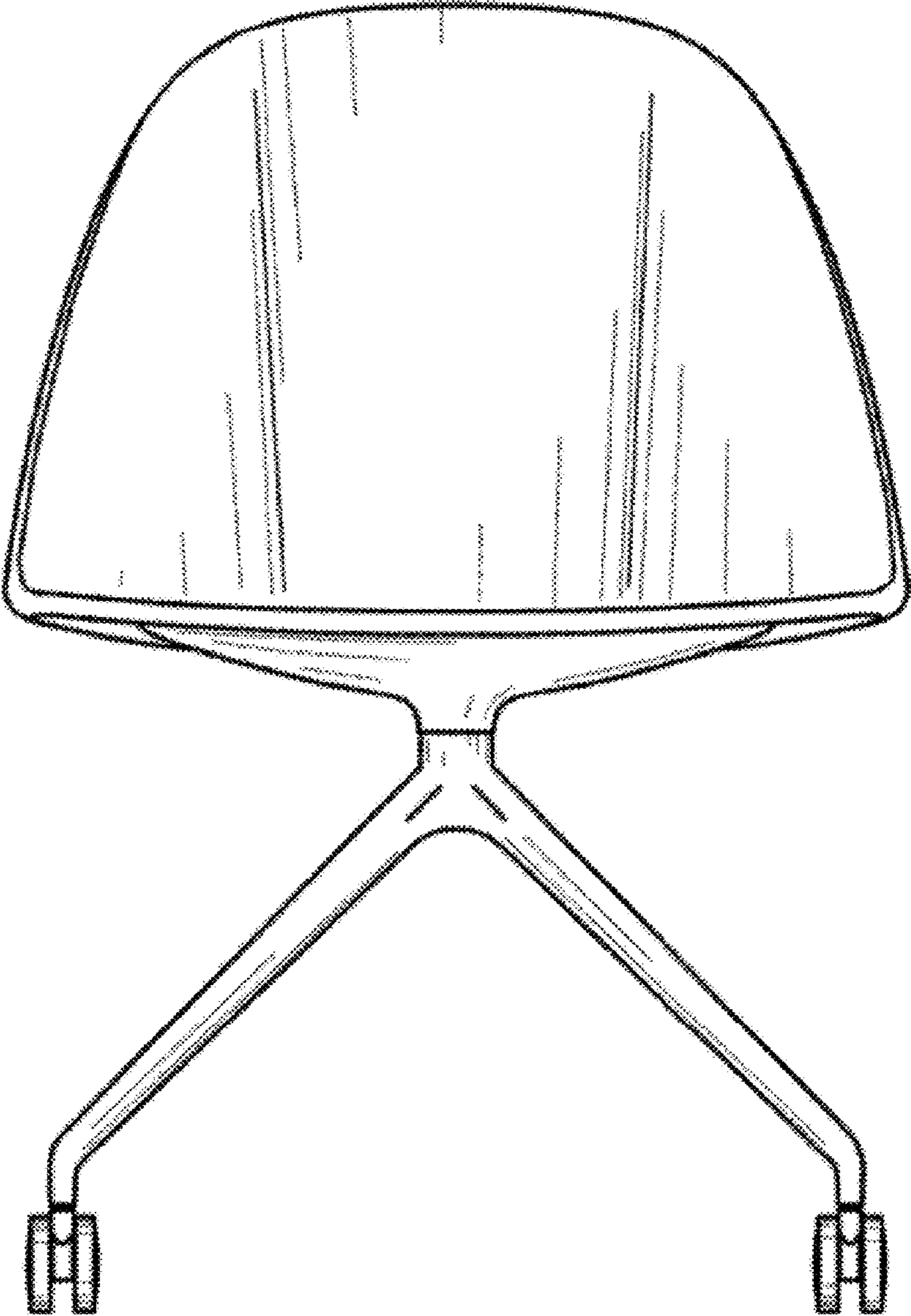
1.2



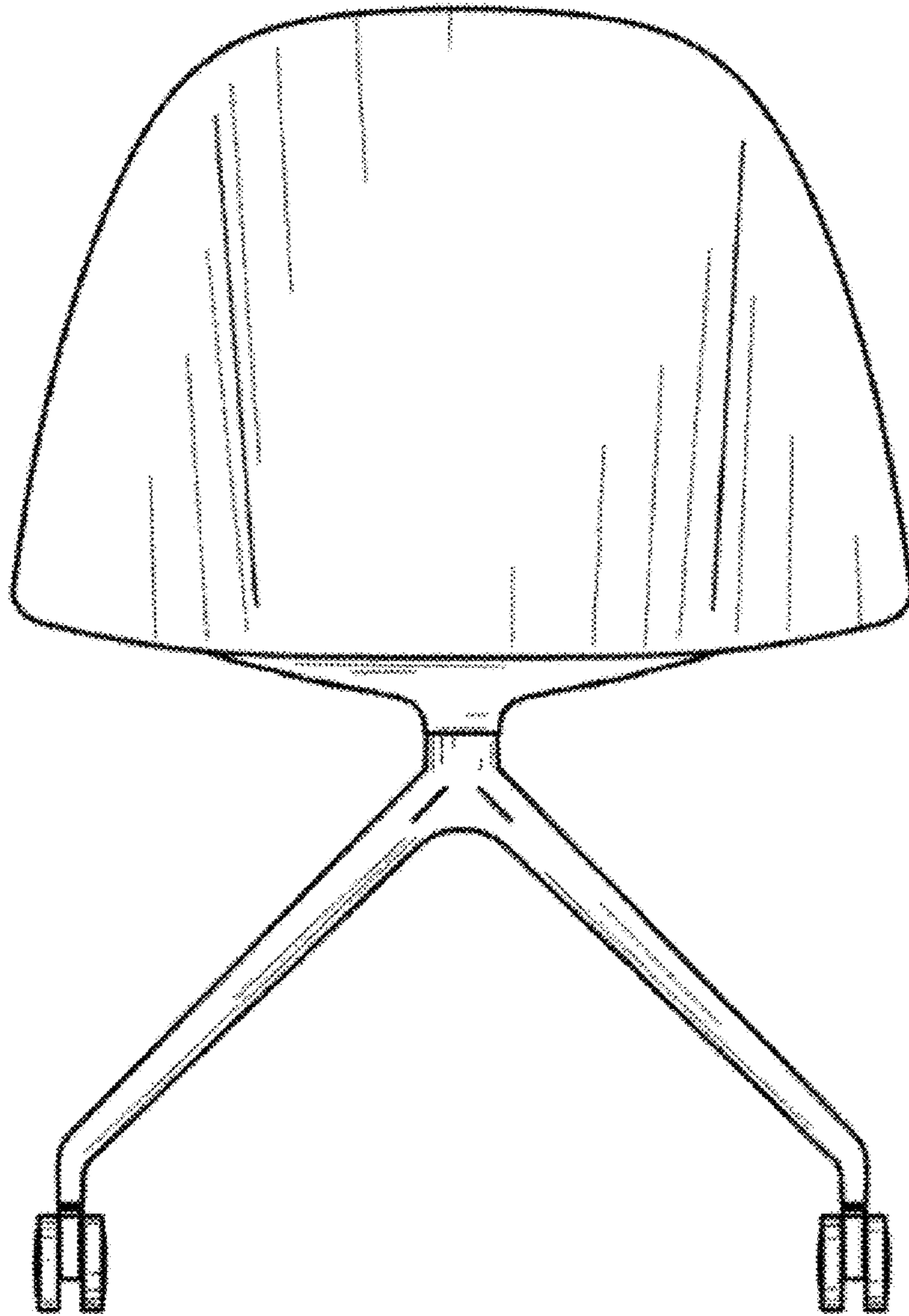
1.3



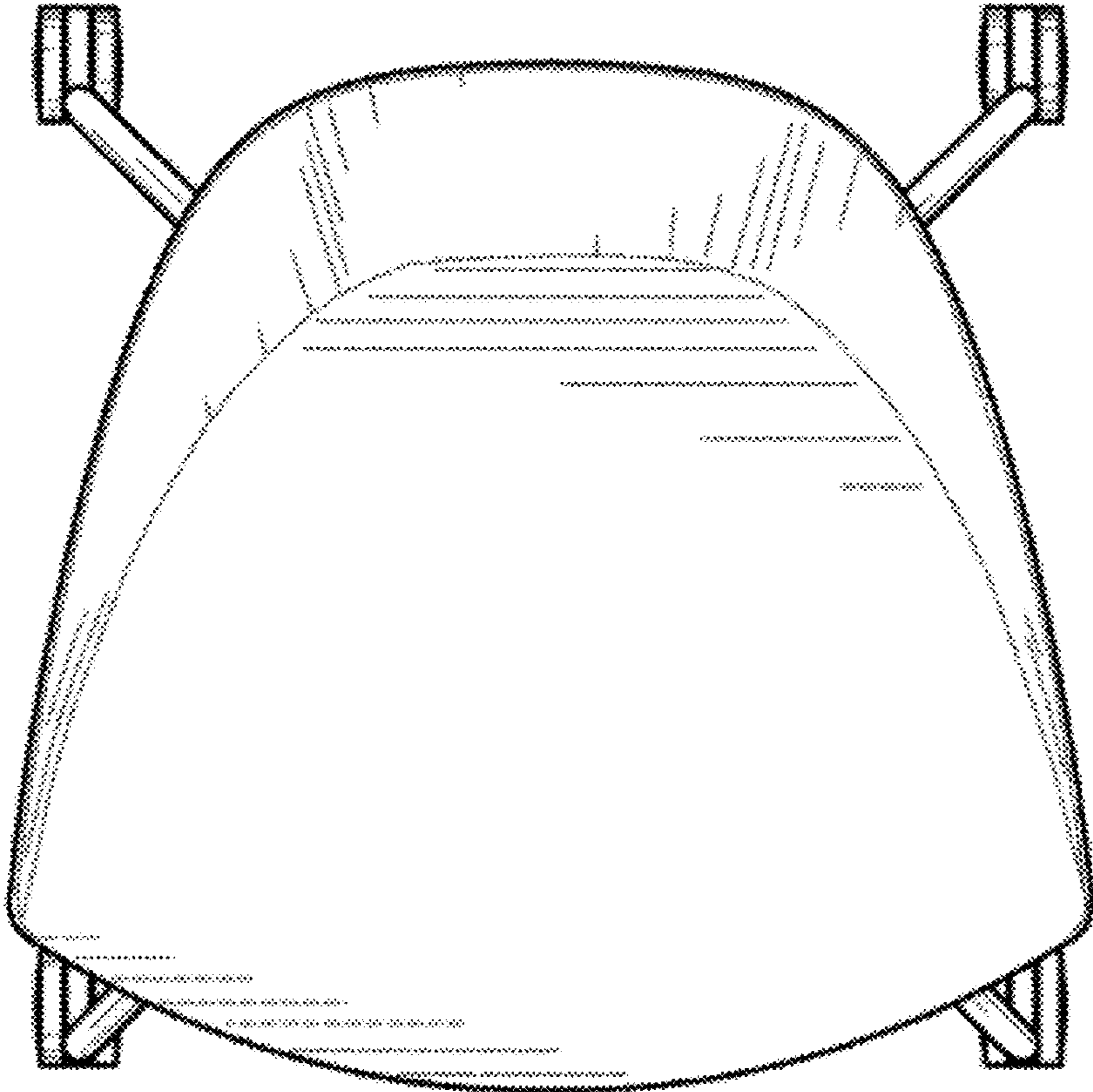
1.4



1.5



1.6



1.7

