



US00D859018S

(12) **United States Design Patent**
Crocker et al.

(10) **Patent No.:** **US D859,018 S**

(45) **Date of Patent:** **** Sep. 10, 2019**

(54) **CHAIR**

(71) Applicant: **Williams-Sonoma, Inc.**, San Francisco, CA (US)

(72) Inventors: **Justin Crocker**, New York, NY (US);
Anna Kodman Jones, Brooklyn, NY (US)

(73) Assignee: **Williams-Sonoma, Inc.**, San Francisco, CA (US)

(**) Term: **15 Years**

(21) Appl. No.: **29/607,142**

(22) Filed: **Jun. 9, 2017**

(51) **LOC (12) Cl.** **06-01**

(52) **U.S. Cl.**
USPC **D6/366**

(58) **Field of Classification Search**
USPC D6/334-336, 364, 365, 366, 372, 374,
D6/375, 379, 380, 716, 716.1, 716.2,
D6/716.4
CPC A47C 3/04; A47C 3/12; A47C 4/02; A47C
4/03; A47C 5/04; A47C 5/06; A47C 5/12;
A47C 7/16

See application file for complete search history.

(56) **References Cited**

U.S. PATENT DOCUMENTS

D142,800 S	*	11/1945	Watson	D6/375
D200,308 S	*	2/1965	Klausen	D6/375
D562,019 S	*	2/2008	Lievore	D6/366
D654,730 S	*	2/2012	Kubryk	D6/366
D680,344 S	*	4/2013	Lievore	D6/366
D697,746 S	*	1/2014	Kubryk	D6/716
D782,839 S	*	4/2017	Fukasawa	D6/366

D798,070 S	*	9/2017	Iqbal	D6/334
D801,716 S	*	11/2017	Fukasawa	D6/366

* cited by examiner

Primary Examiner — Mimoso De

(74) *Attorney, Agent, or Firm* — Cook Alex Ltd.; R. Blake Johnston

(57) **CLAIM**

The ornamental design for a chair, as shown and described.

DESCRIPTION

FIG. 1 is a perspective view of a first embodiment of the chair;

FIG. 2 is a front elevation view of the first embodiment of the chair;

FIG. 3 is a rear elevation view of the first embodiment of the chair;

FIG. 4 is a left side elevation view of the first embodiment of the chair;

FIG. 5 is a right side elevation view of the first embodiment of the chair;

FIG. 6 is a top plan view of the first embodiment of the chair;

FIG. 7 is a bottom plan view of the first embodiment of the chair;

FIG. 8 is a perspective view of a second embodiment of the chair;

FIG. 9 is a front elevation view of the second embodiment of the chair;

FIG. 10 is a rear elevation view of the second embodiment of the chair;

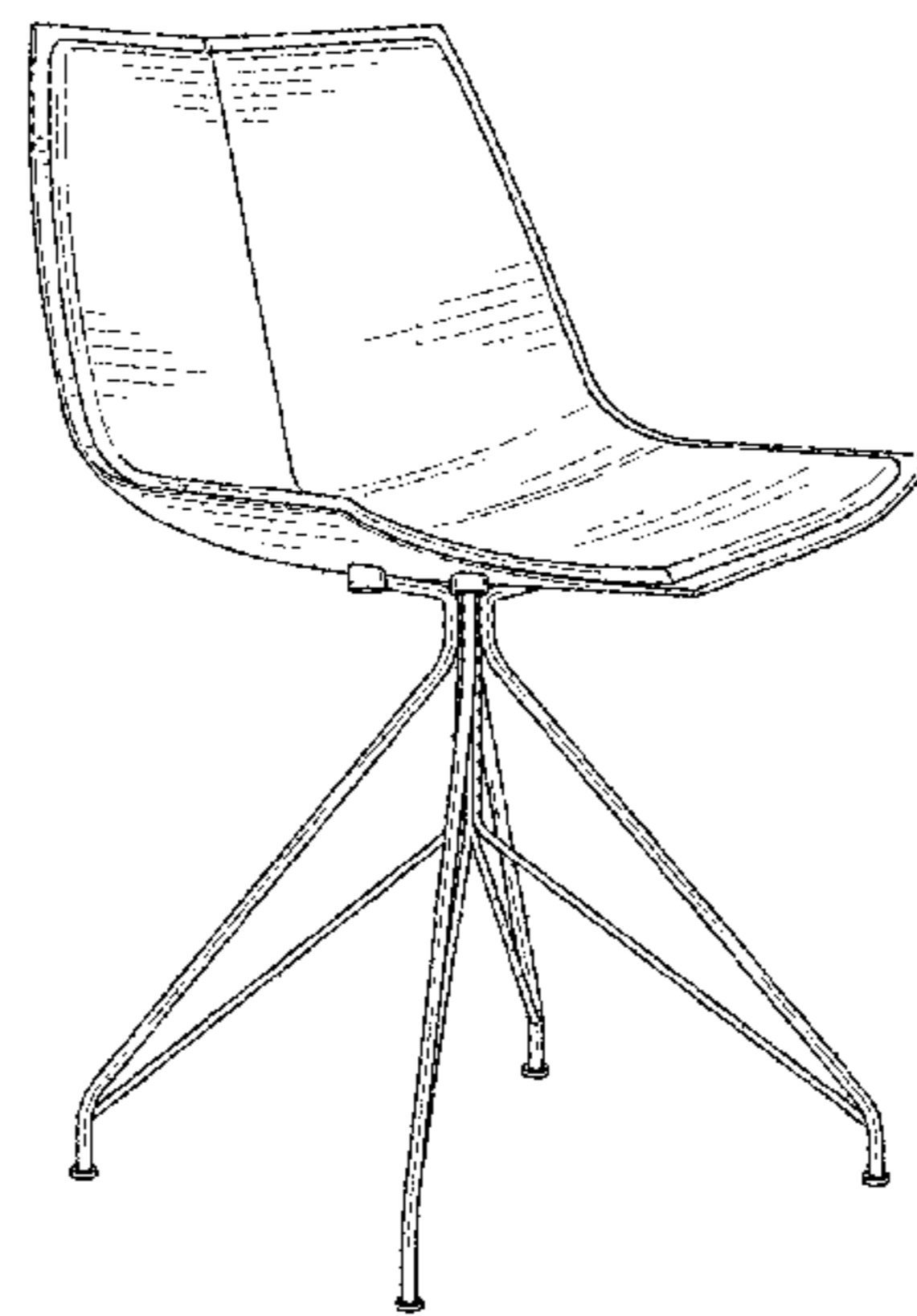
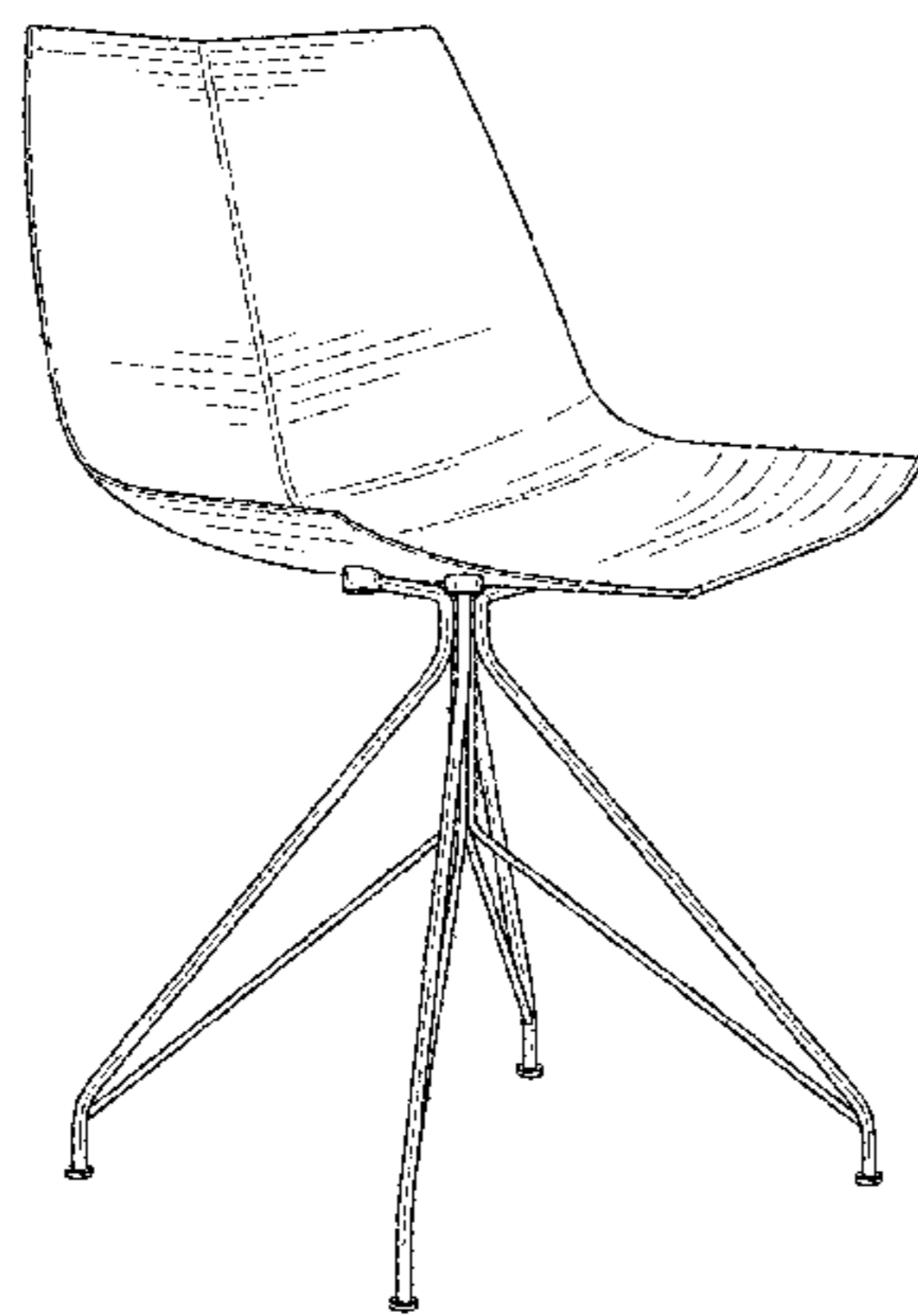
FIG. 11 is a left side elevation view of the second embodiment of the chair;

FIG. 12 is a right side elevation view of the second embodiment of the chair;

FIG. 13 is a top plan view of the second embodiment of the chair; and,

FIG. 14 is a bottom plan view of the second embodiment of the chair.

1 Claim, 8 Drawing Sheets



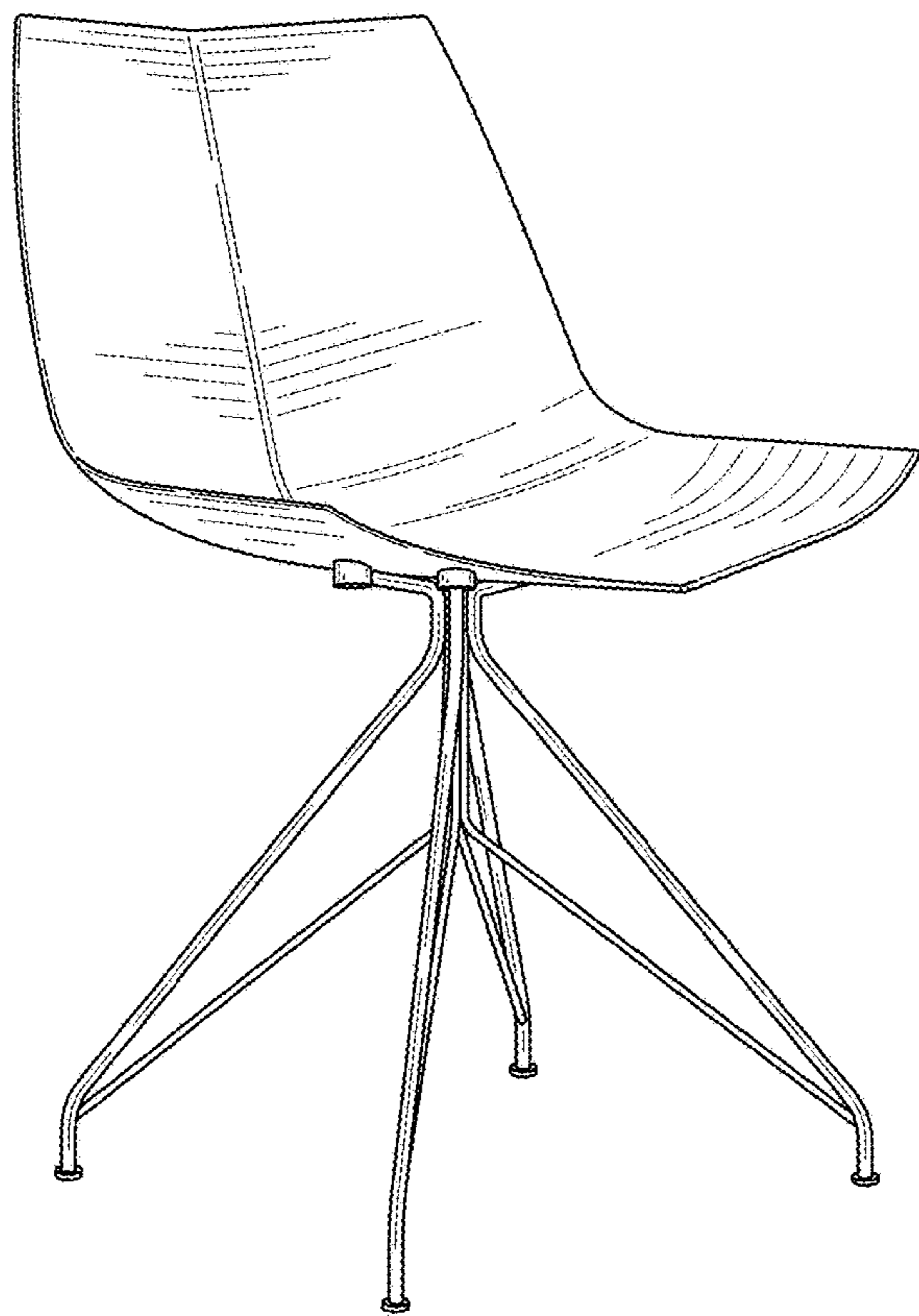


FIG. 1

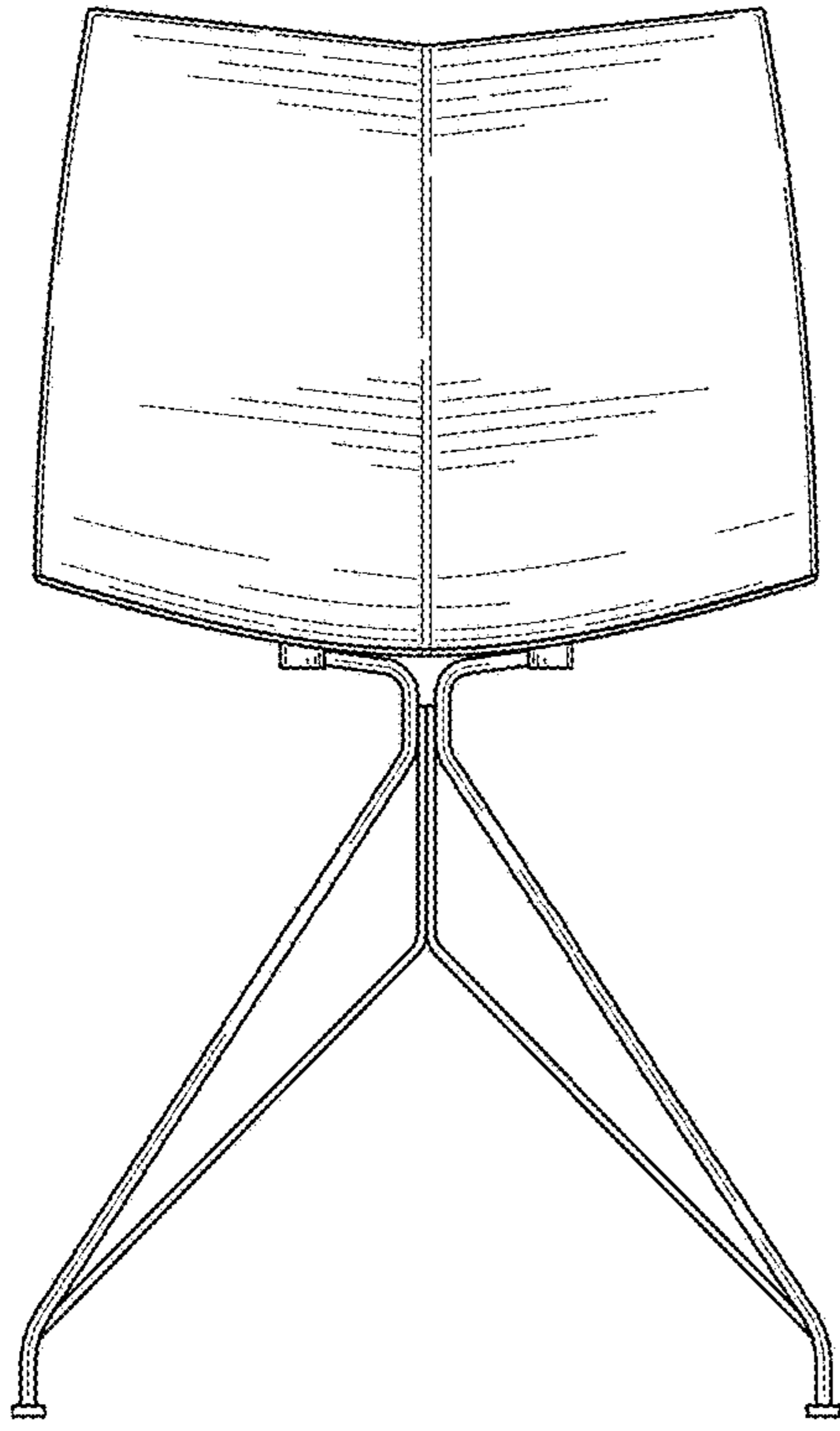


FIG. 2

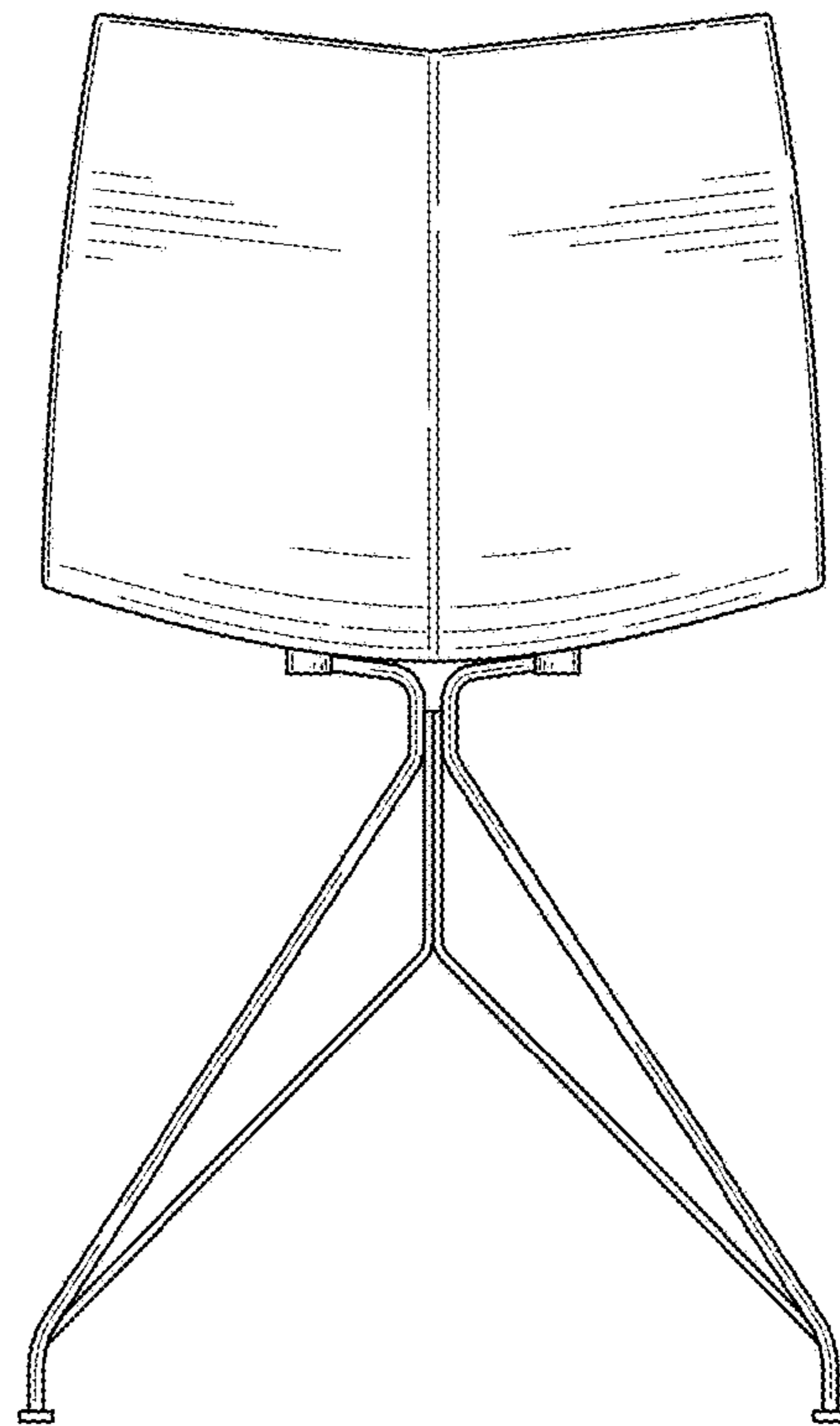


FIG. 3

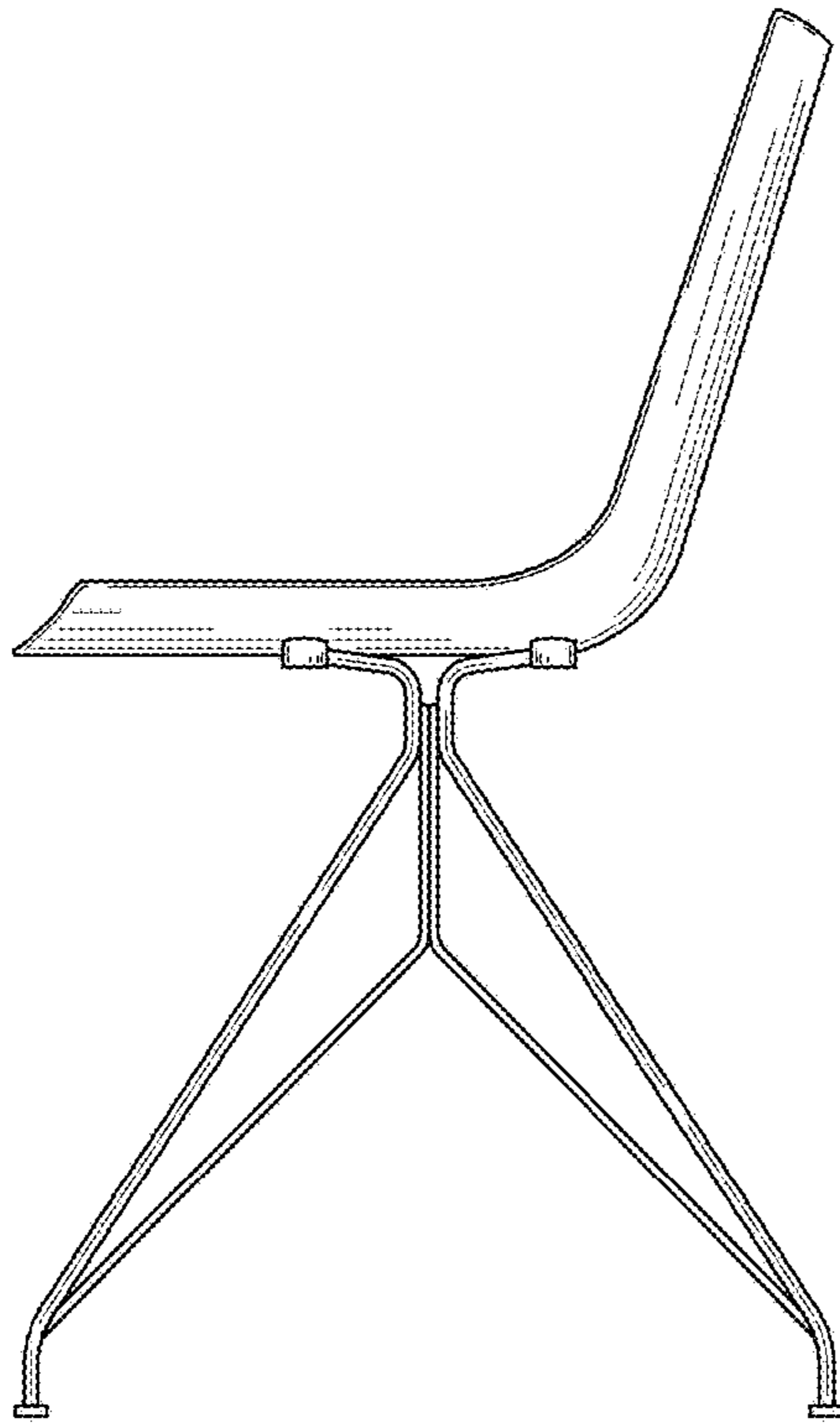


FIG. 4

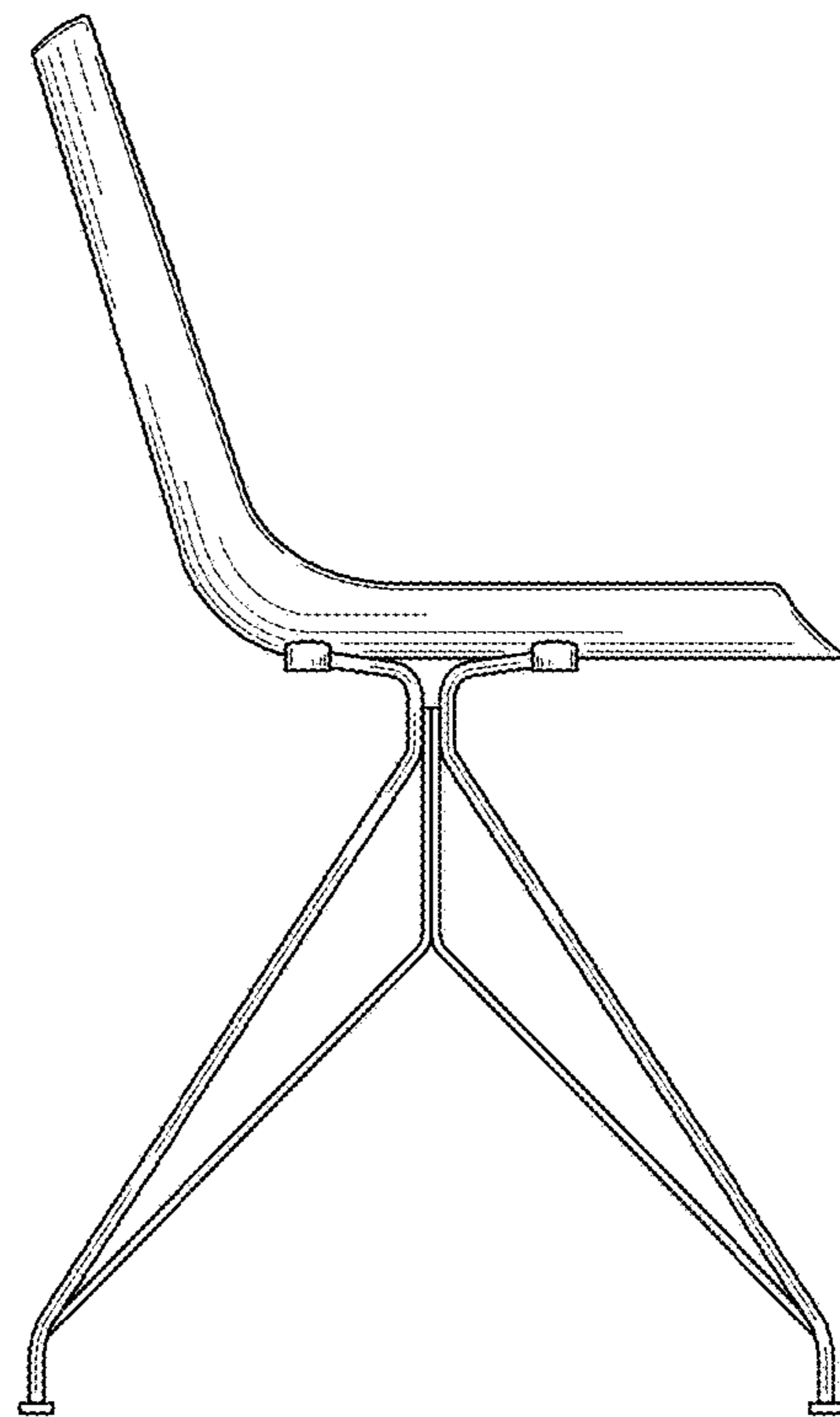


FIG. 5

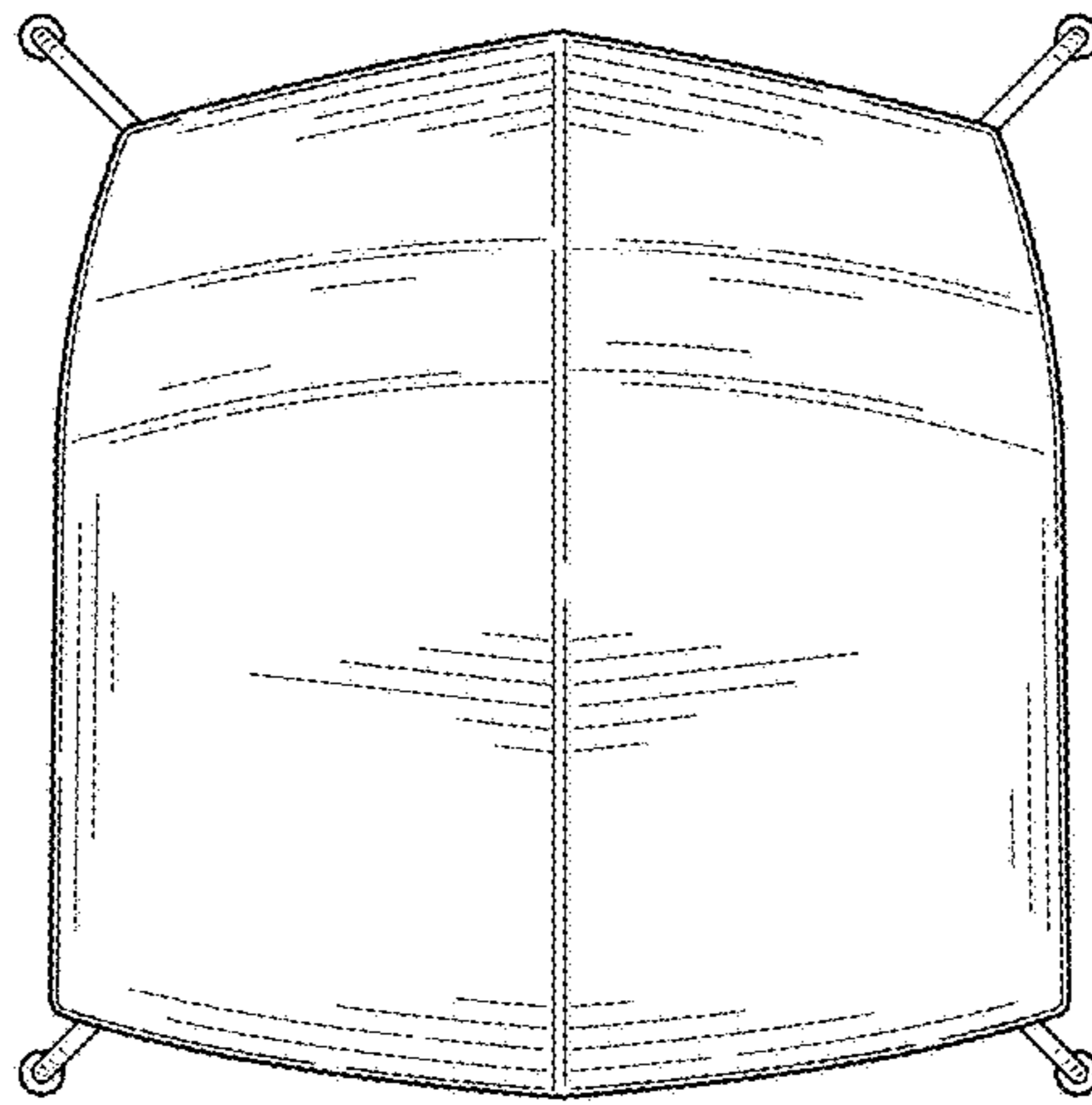


FIG. 6

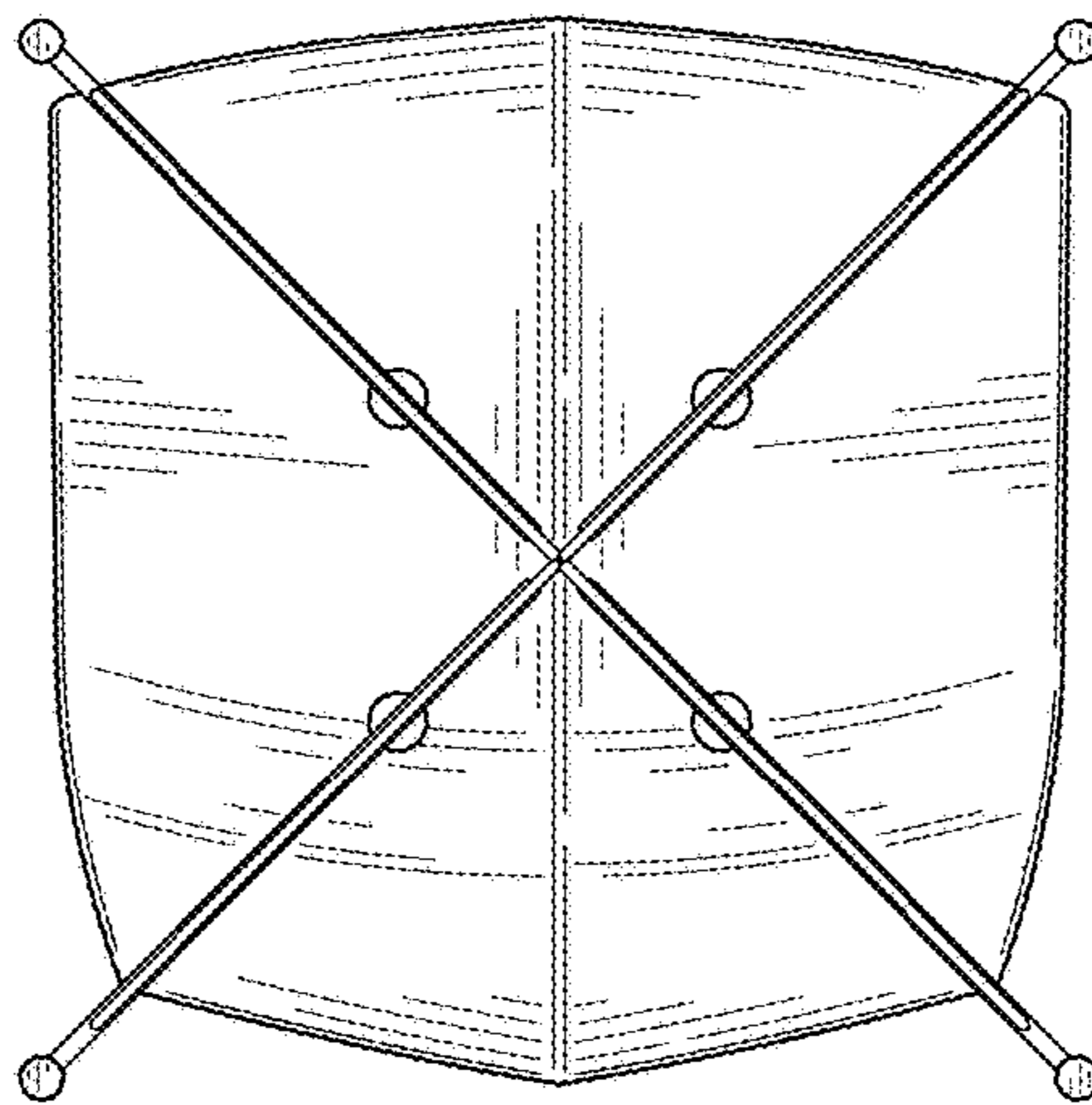


FIG. 7

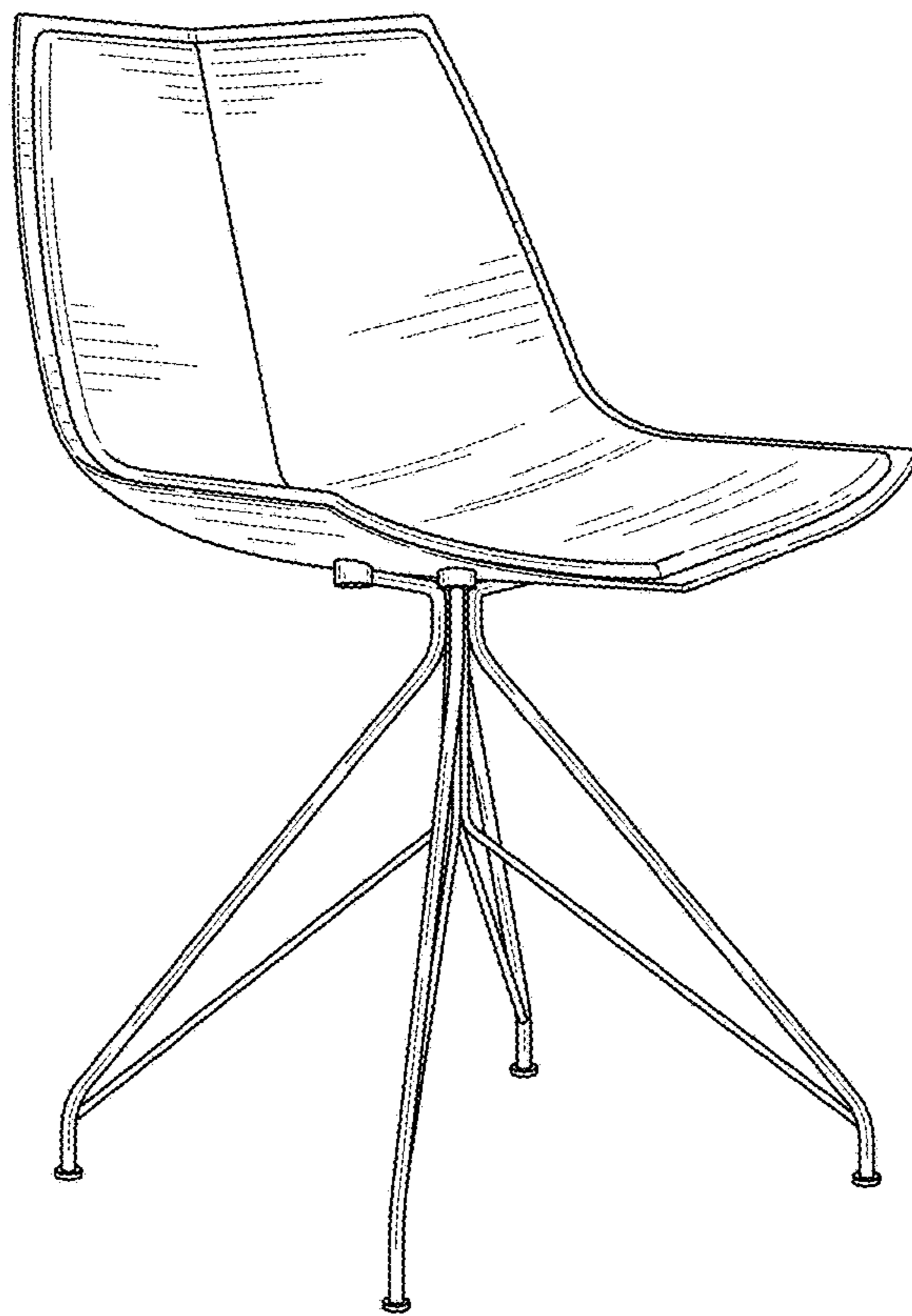


FIG. 8

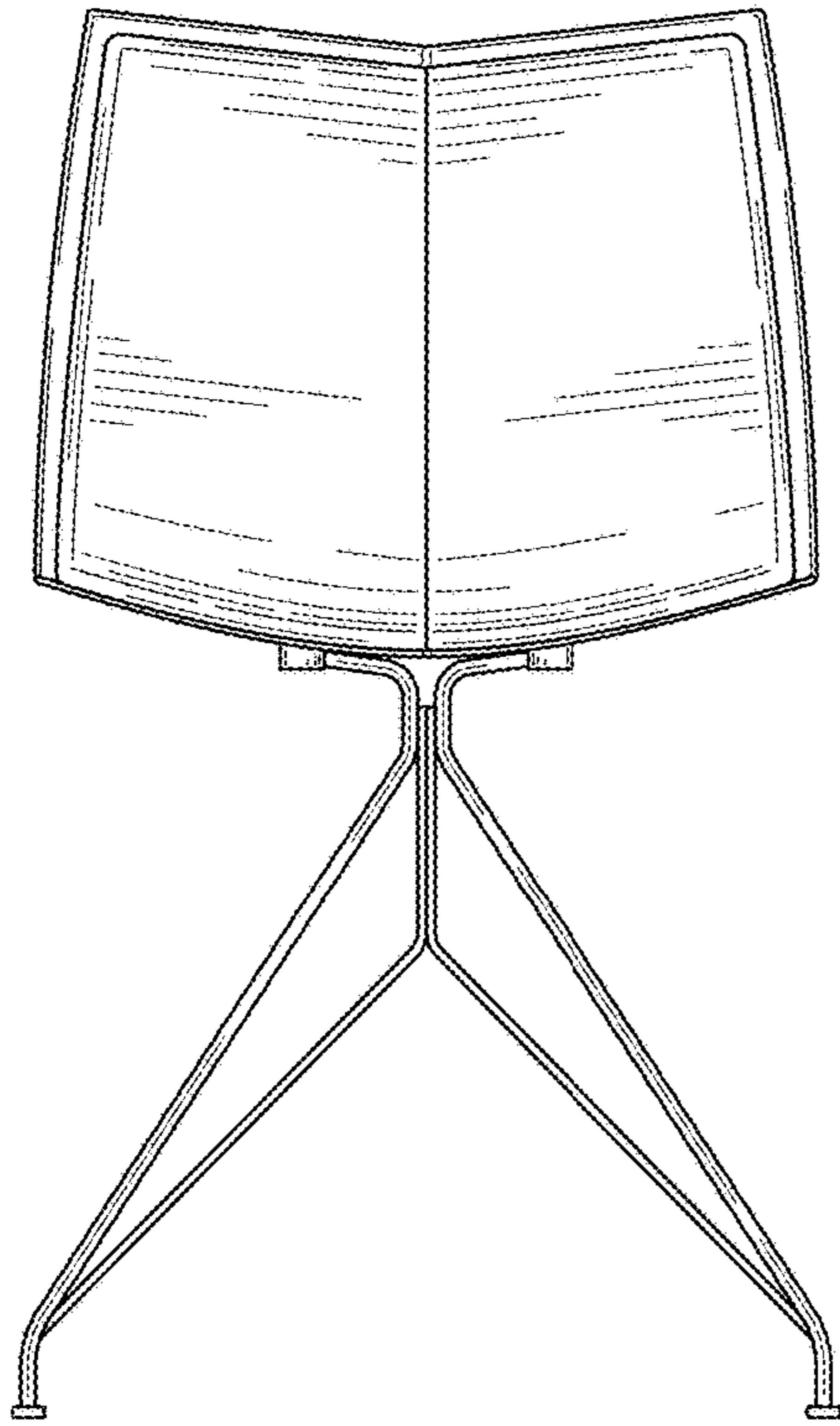


FIG. 9

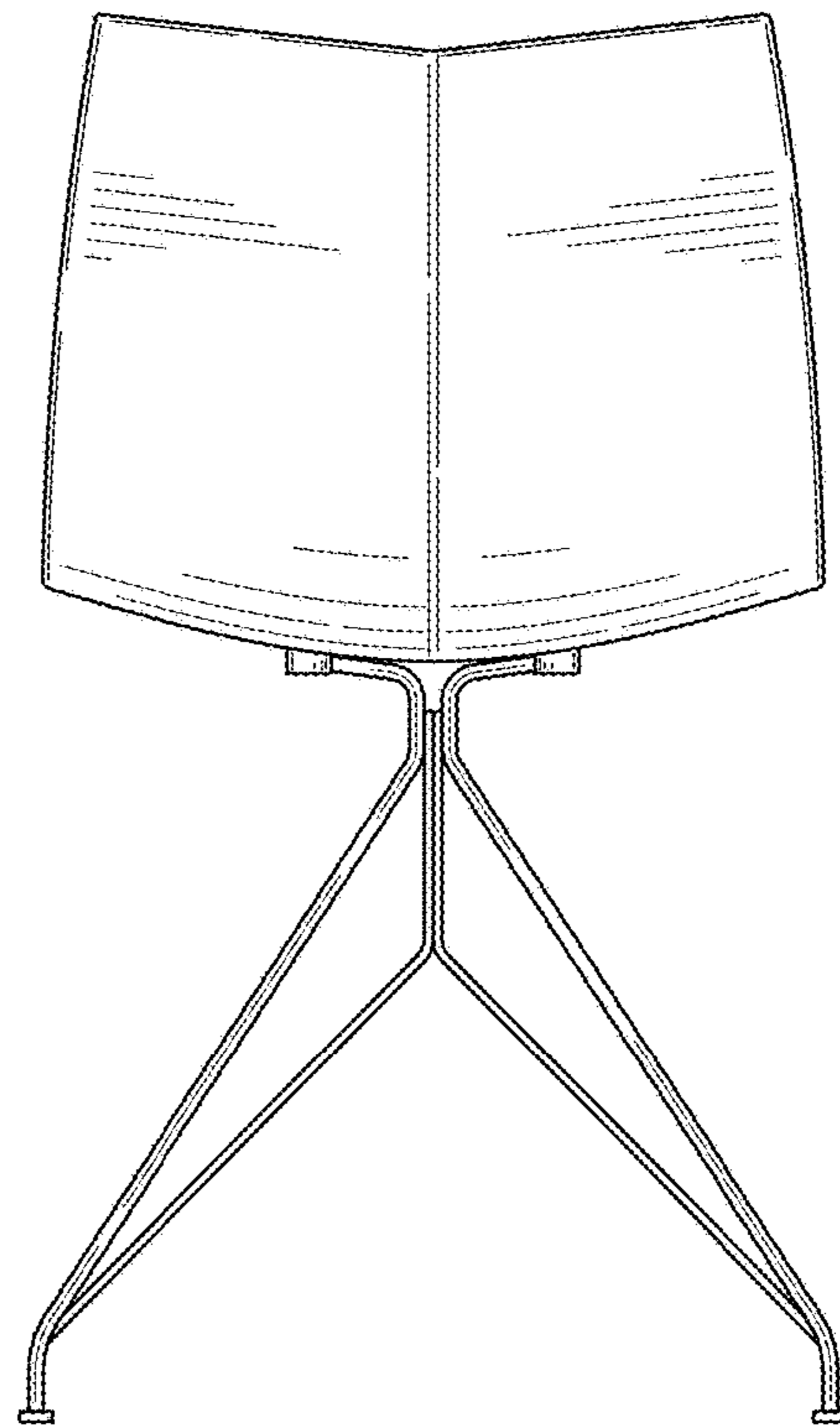


FIG. 10

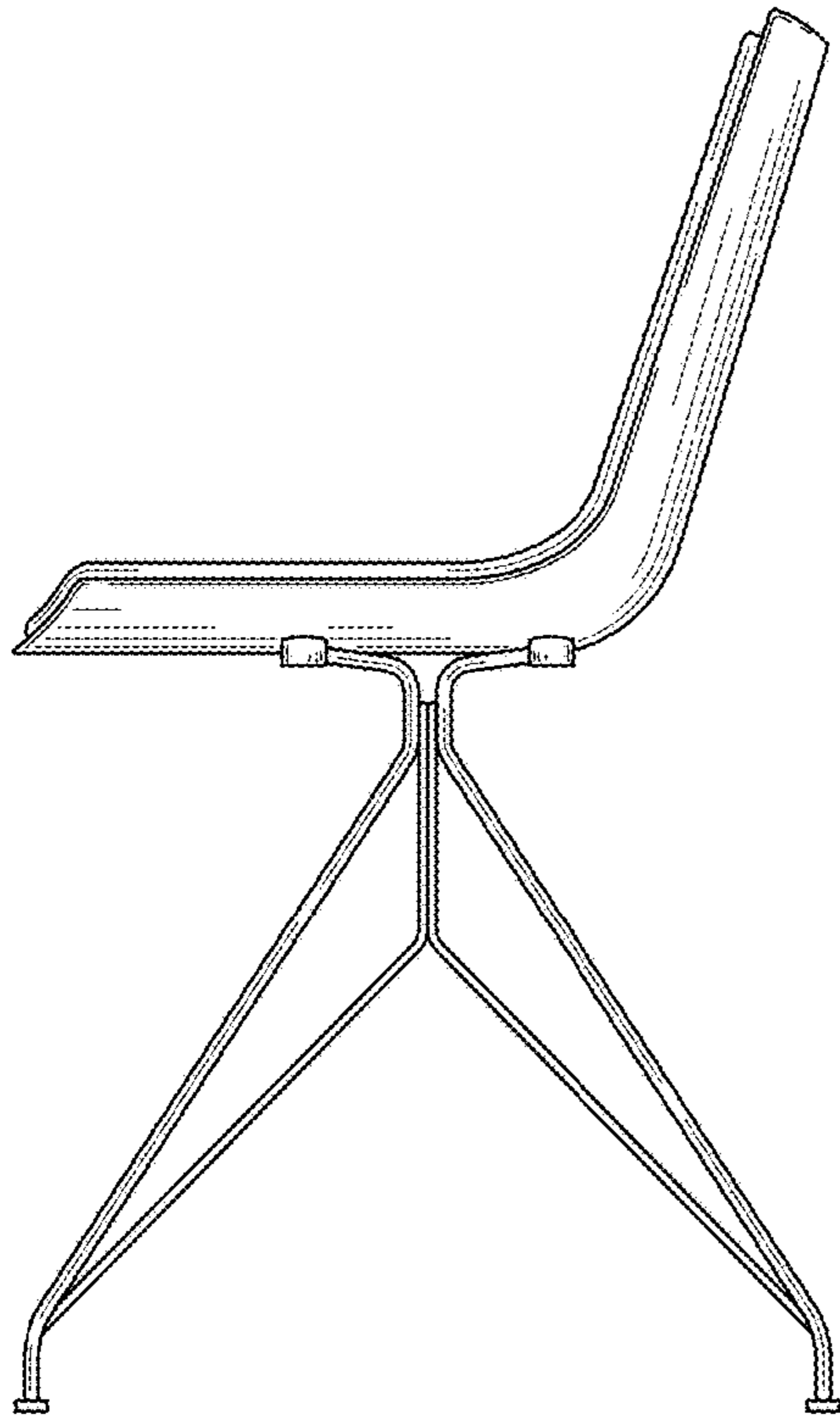


FIG. 11

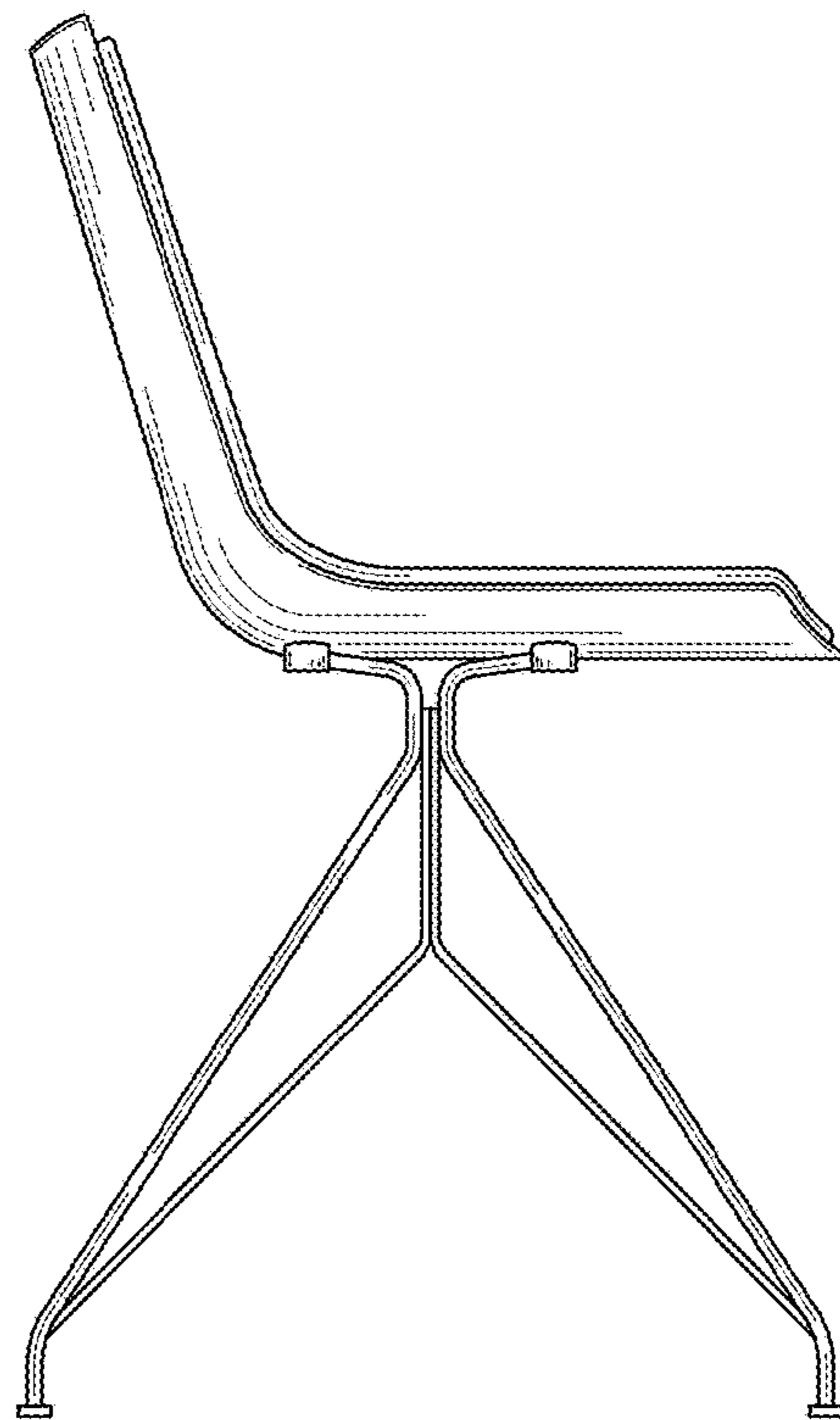


FIG. 12

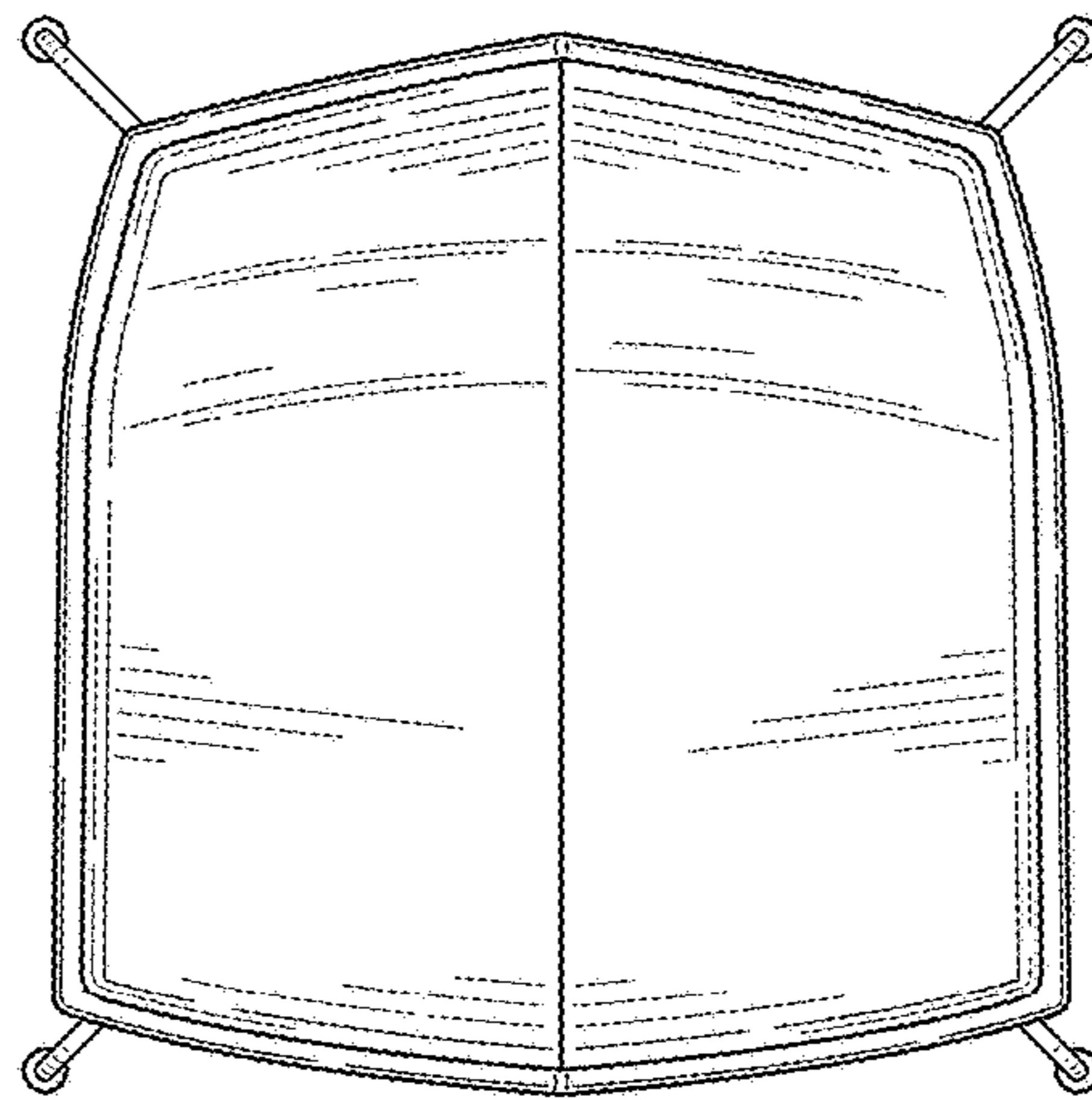


FIG. 13

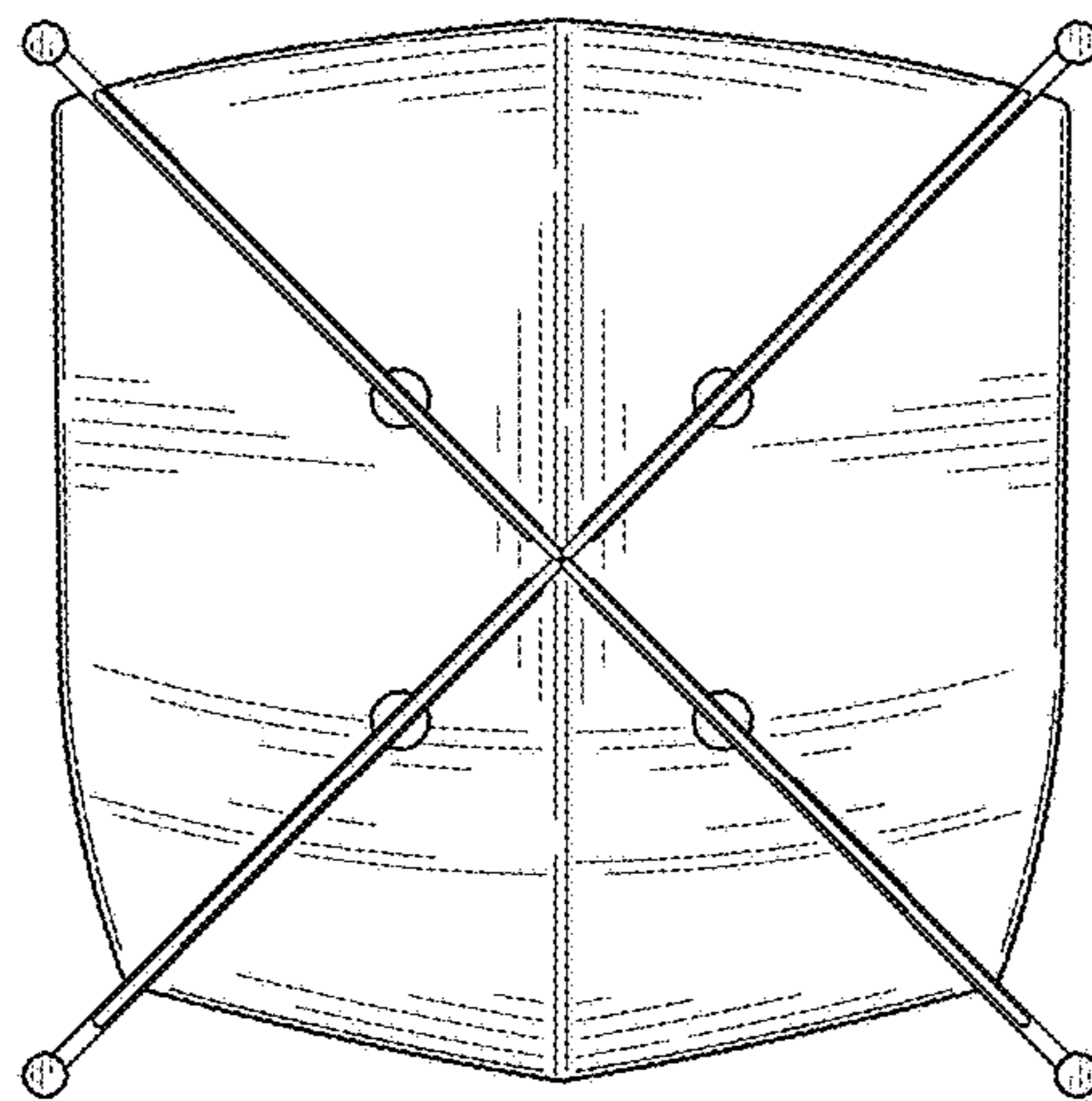


FIG. 14