



US00D859015S

(12) **United States Design Patent** (10) **Patent No.:** **US D859,015 S**  
**Iwasaki** (45) **Date of Patent:** **\*\* Sep. 10, 2019**

(54) **BENCH**  
(71) Applicant: **ARPER S.P.A.**, Monastier di Treviso (Treviso) (IT)  
(72) Inventor: **Ichiro Iwasaki**, Treviso (IT)  
(73) Assignee: **ARPER S.p.A.**, Monastier di Treviso (IT)

D484,709 S \* 1/2004 Cronk ..... D6/336  
D675,453 S \* 2/2013 Blet ..... D6/335  
D698,178 S \* 1/2014 Nguyen ..... D6/381  
D698,564 S \* 2/2014 Behar ..... D6/381  
8,721,000 B2 \* 5/2014 Nguyen ..... A47C 7/402  
297/378.1  
D722,237 S \* 2/2015 Baraldi ..... D6/336  
D722,238 S \* 2/2015 Baraldi ..... D6/336  
8,950,817 B2 \* 2/2015 Iacovoni ..... A47B 83/02  
297/452.18

(\*\*) Term: **15 Years**

(Continued)

(21) Appl. No.: **35/505,388**

FOREIGN PATENT DOCUMENTS

(22) Filed: **Jul. 6, 2018**

GB 2096344 \* 10/2000  
WO WO-D022161-004 \* 4/1992

(80) **Hague Agreement Data**

Int. Filing Date: **Jul. 6, 2018**  
Int. Reg. No.: **DM/102020**  
Int. Reg. Date: **Jul. 6, 2018**  
Int. Reg. Pub. Date: **Aug. 3, 2018**

OTHER PUBLICATIONS

New collection Kiik—Arper (available online) Retrieved from the internet Apr. 9, 2019 from URL: <https://www.arper.com/us/en/stories/news/kiik-preview>.\*

(Continued)

(30) **Foreign Application Priority Data**

Feb. 8, 2018 (WO) ..... DM/101147

(51) **LOC (12) Cl.** ..... **06-01**

(52) **U.S. Cl.**  
USPC ..... **D6/335**

(58) **Field of Classification Search**  
USPC ..... D6/334-336, 349-353, 355, 357, 361, D6/363-365, 370-375, 380-381, 596, D6/601, 604, 691-691.9, 692-692.6, D6/708.17, 716-716.3  
CPC ..... A47C 1/16; A47C 1/124; A47C 1/143; A47C 4/02; A47C 7/16; A47C 7/18; A47C 11/00; A47C 11/005; A47C 13/00

See application file for complete search history.

*Primary Examiner* — George D. Kirschbaum  
*Assistant Examiner* — Richard Kearney  
(74) *Attorney, Agent, or Firm* — Thomas|Horstemeyer, LLP

(57) **CLAIM**

The ornamental design for a bench, as shown and described.

**DESCRIPTION**

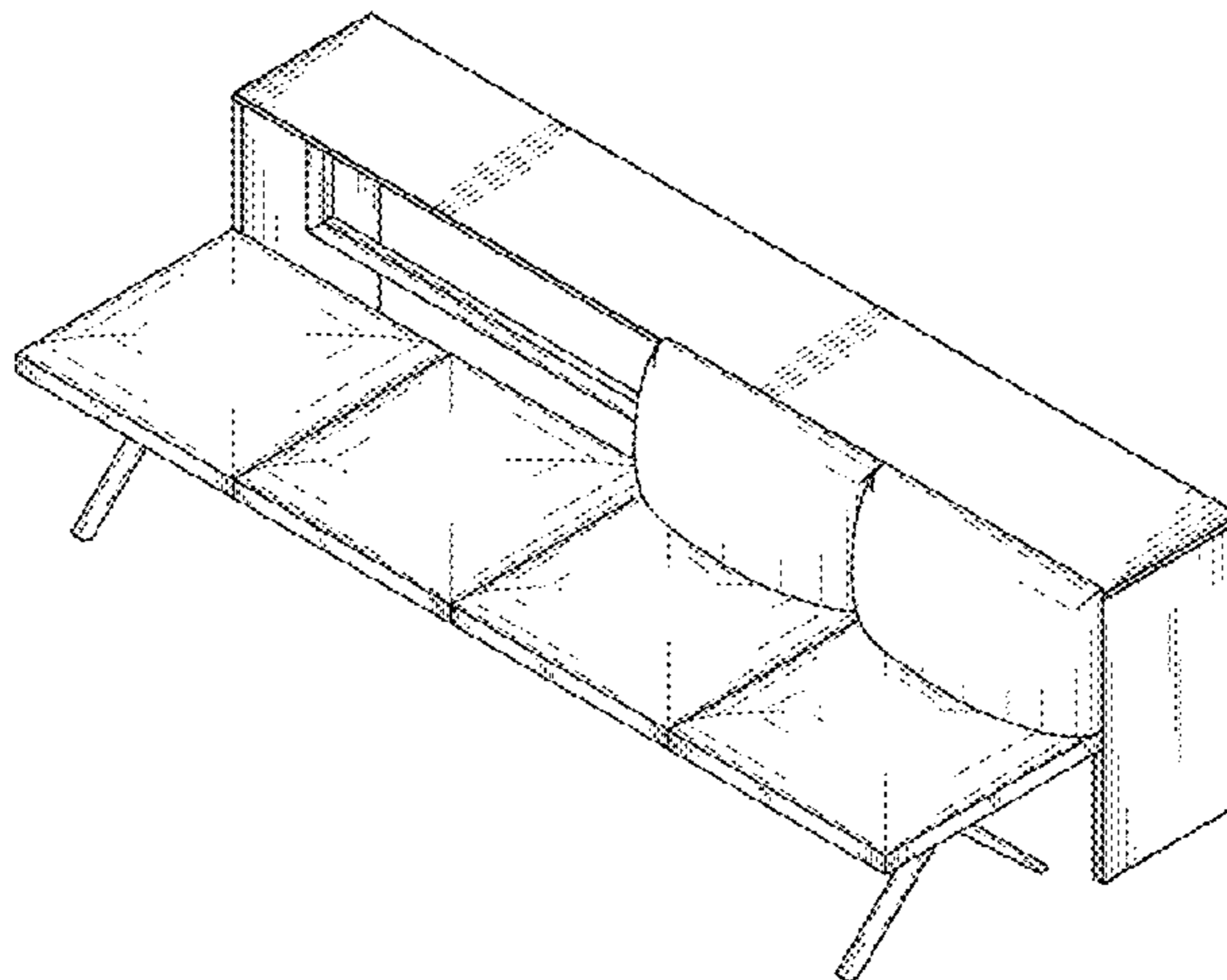
- 1. Bench
- 1.1 : Perspective
- 1.2 : Left
- 1.3 : Right
- 1.4 : Front
- 1.5 : Back
- 1.6 : Top
- 1.7 : Bottom

(56) **References Cited**

U.S. PATENT DOCUMENTS

D202,339 S \* 9/1965 McRee ..... D6/336  
3,817,573 A \* 6/1974 Facury ..... A47B 85/04  
108/62

**1 Claim, 7 Drawing Sheets**



(56)

**References Cited**

U.S. PATENT DOCUMENTS

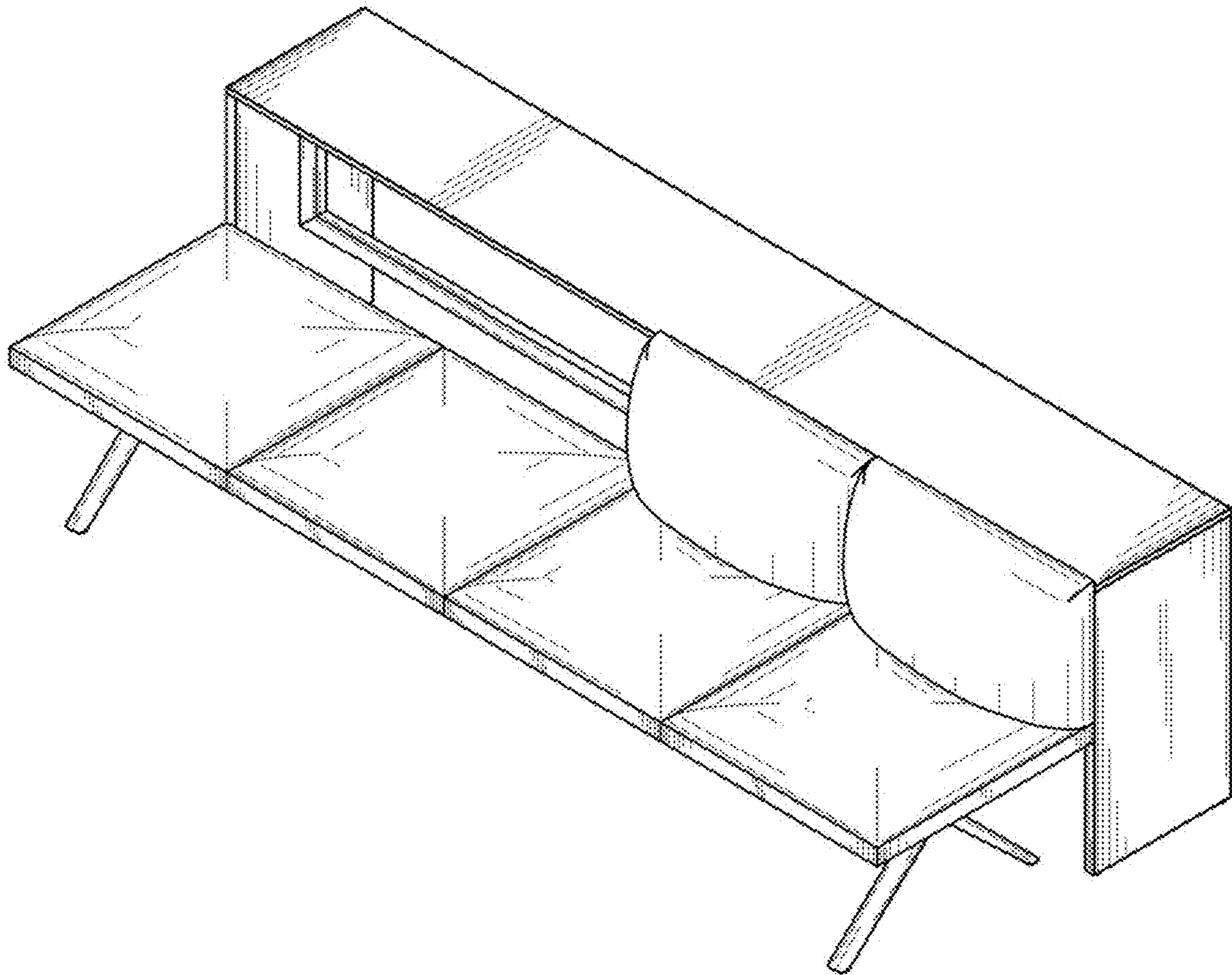
2005/0140184 A1\* 6/2005 Williams ..... A47B 83/00  
297/135

OTHER PUBLICATIONS

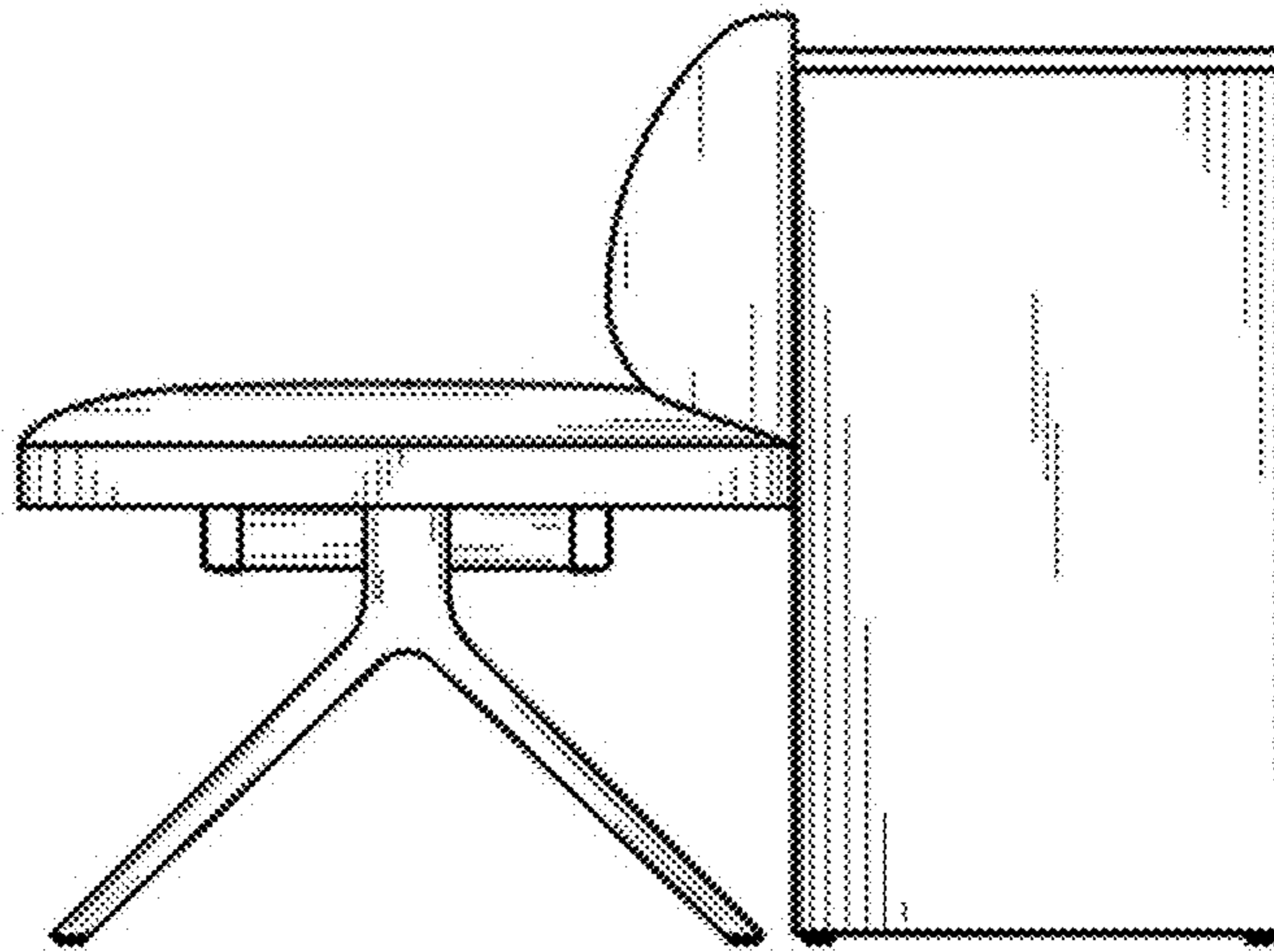
Modern-leather-sofa-bed (available online) Retrieved from the internet Apr. 9, 2019 from URL: <http://jivebike.com/wp-content/uploads/2018/11/modern-leather-sofa-bed-contemporary-leather-sofa-bed-bedroom-couch-bed-two-seater-sofa-bed-m1>.\*

\* cited by examiner

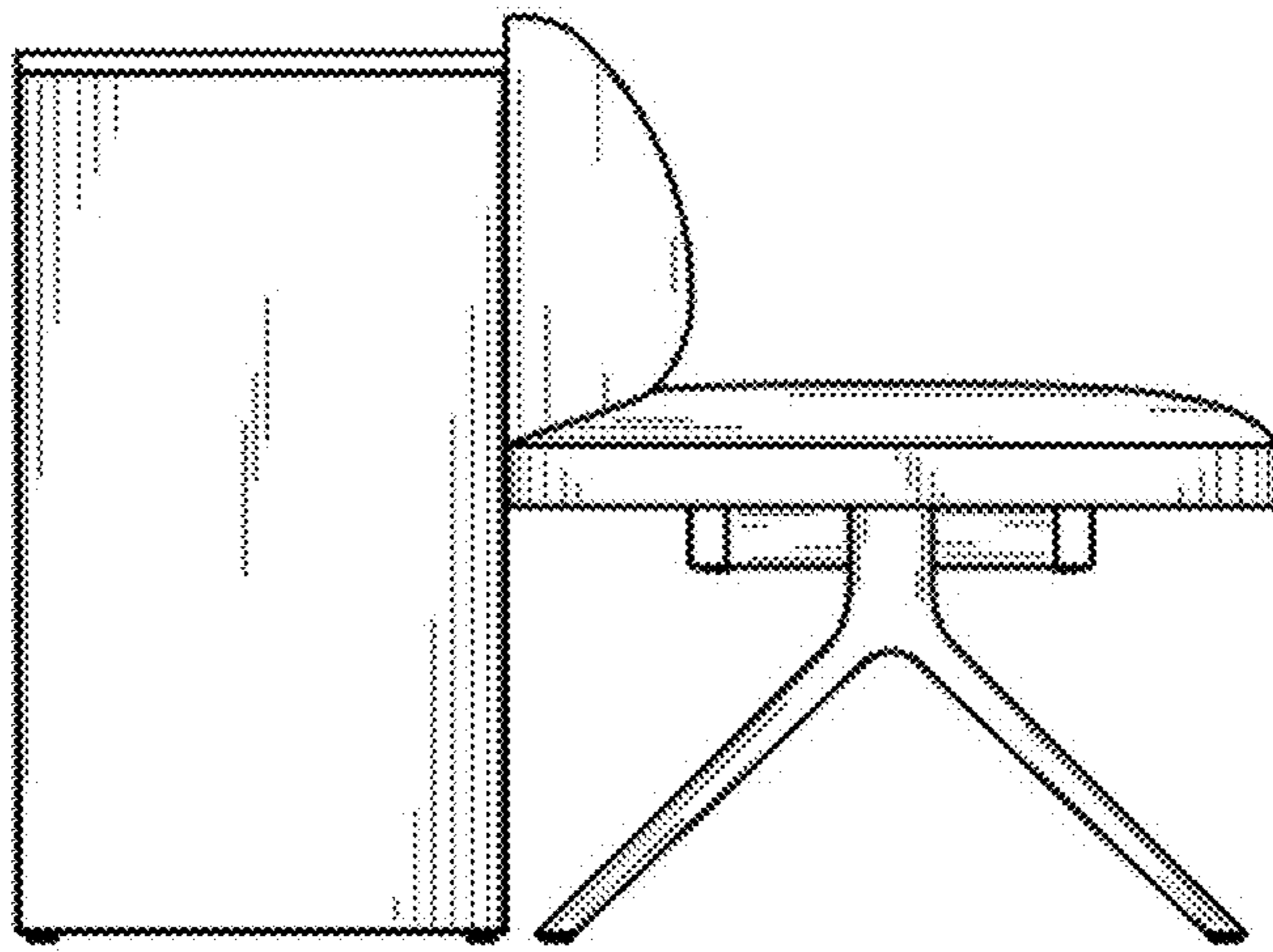
1.1



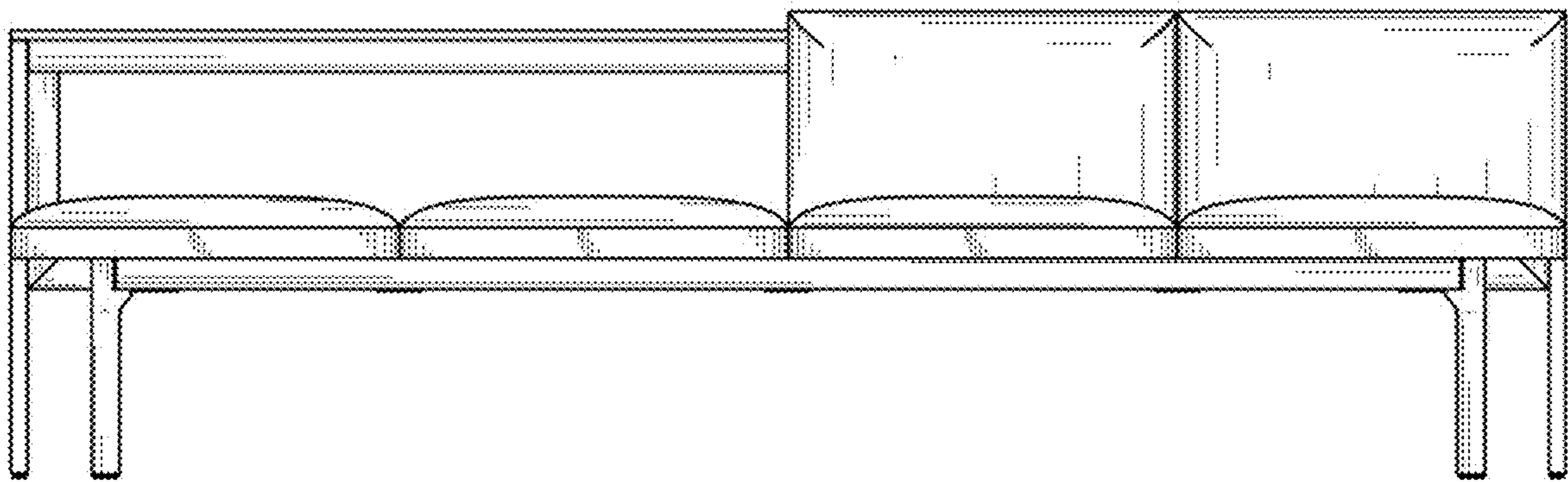
1.2



1.3

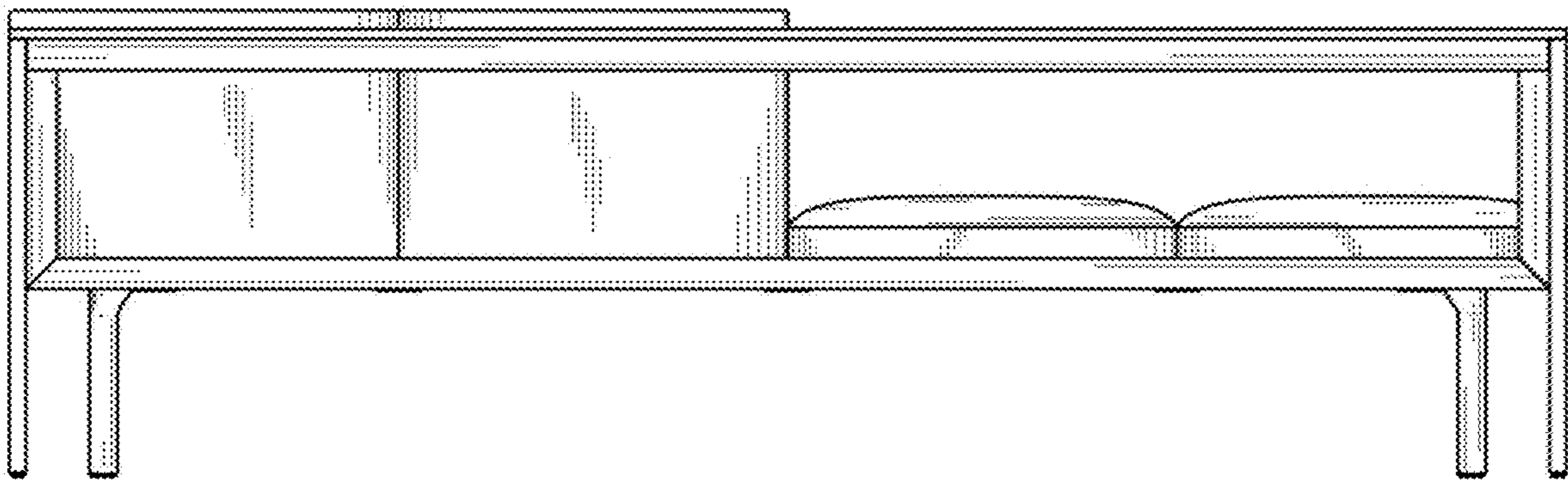


1.4

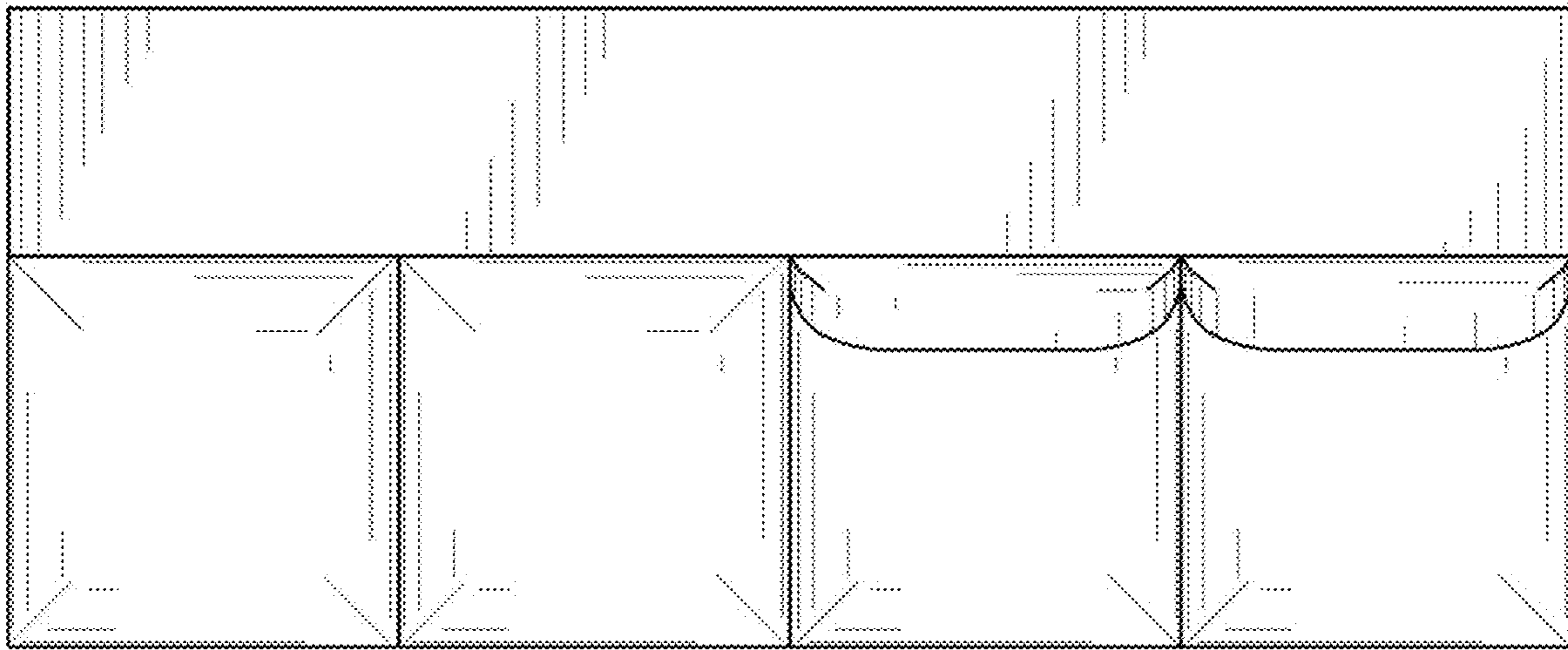




1.5



1.6





1.7

