



US00D859013S

(12) **United States Design Patent** (10) **Patent No.:** **US D859,013 S**  
**Yamamoto** (45) **Date of Patent:** **\*\* Sep. 10, 2019**

(54) **PARTITION PANEL**

(71) Applicant: **Okamura Corporation**, Yokohama-shi, Kanagawa (JP)

(72) Inventor: **Takayuki Yamamoto**, Yokohama (JP)

(73) Assignee: **Okamura Corporation**, Yokohama-shi, Kanagawa (JP)

(\*\*) Term: **15 Years**

(21) Appl. No.: **29/641,920**

(22) Filed: **Mar. 26, 2018**

(30) **Foreign Application Priority Data**

Sep. 27, 2017 (JP) ..... 2017-021115  
Sep. 27, 2017 (JP) ..... 2017-021117

(51) **LOC (12) Cl.** ..... **06-06**

(52) **U.S. Cl.**  
USPC ..... **D6/332**

(58) **Field of Classification Search**  
USPC ..... D6/332, 383, 406.1, 406.2, 642, 643.1,  
D6/644, 672, 673, 713, 714, 653.14,  
(Continued)

(56) **References Cited**

**U.S. PATENT DOCUMENTS**

1,896,844 A \* 2/1933 Hanson ..... E04B 1/994  
181/30  
3,017,969 A \* 1/1962 Nielsen ..... E04B 2/7425  
160/351

(Continued)

**OTHER PUBLICATIONS**

Free-standing panel—Double sided whiteboard panel caster feet (on-line), no date available. Retrieved from Internet Jan. 25, 2019, URL: [https://www.okamura.com/en\\_ap/library/image/product/muffle/muffle\\_ws\\_s\\_45/](https://www.okamura.com/en_ap/library/image/product/muffle/muffle_ws_s_45/) (1 page).\*

*Primary Examiner* — Kevin K Rudzinski

*Assistant Examiner* — Kimberly Barnes

(74) *Attorney, Agent, or Firm* — Banner & Witcoff, Ltd.

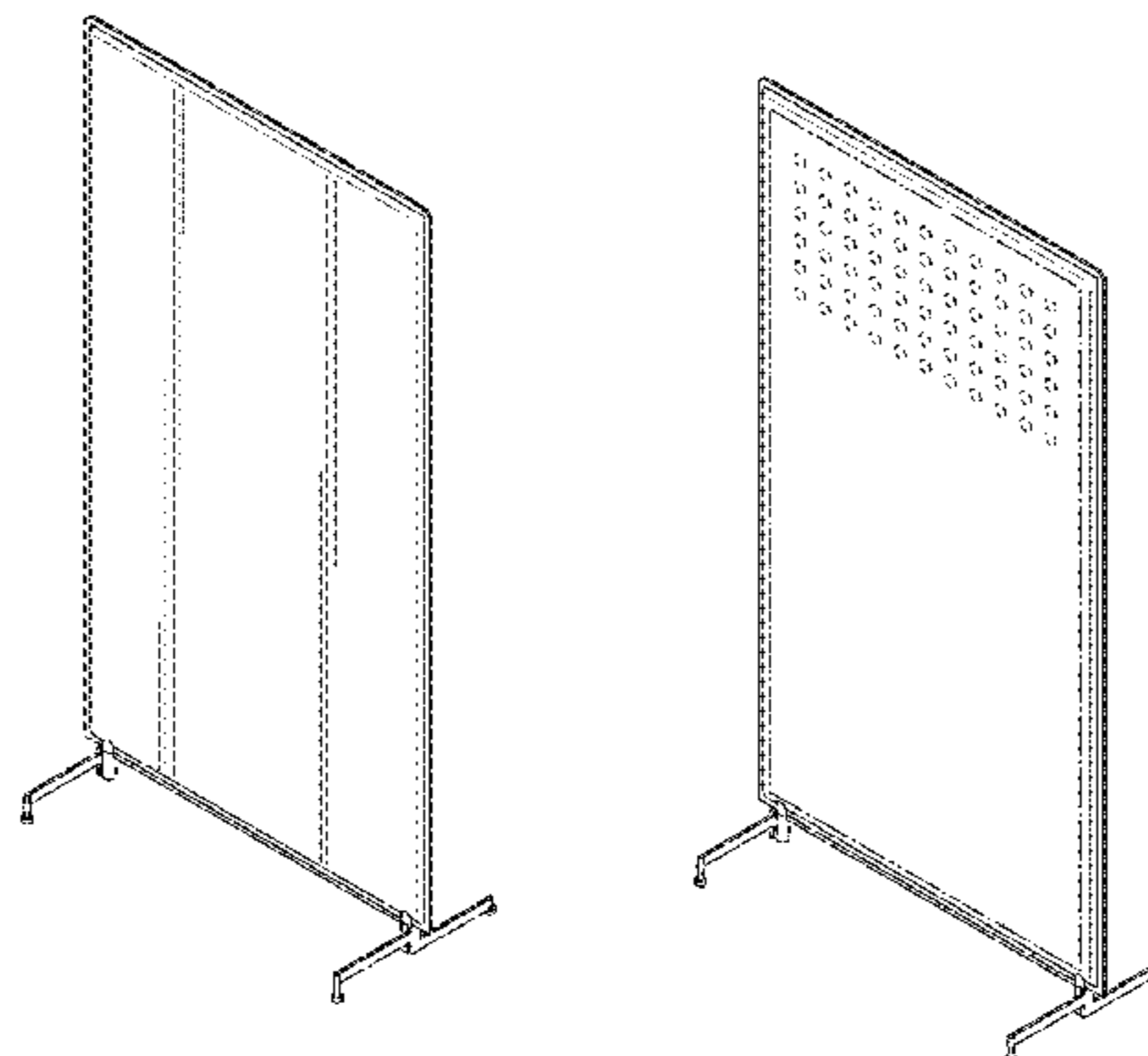
(57) **CLAIM**

The ornamental design for a partition panel, as shown and described.

**DESCRIPTION**

FIG. 1 is a front perspective view of a partition panel according to a first embodiment showing my new design; FIG. 2 is a front view thereof; FIG. 3 is a rear view thereof; FIG. 4 is a right side view thereof, the left side view being a mirror image thereof; FIG. 5 is a top view thereof; FIG. 6 is a bottom view thereof; FIG. 7 is a cross-sectional view taken along line 7-7 in FIG. 2; FIG. 8 is an enlarged cross-sectional view taken along line 8-8 in FIG. 2; FIG. 9 is an enlarged cross-sectional view taken along line 9-9 in FIG. 2; FIG. 10 is a front perspective view of a partition panel according to a second embodiment showing my new design; FIG. 11 is a front view thereof; FIG. 12 is a rear view thereof; FIG. 13 is a right side view thereof, the left side view being a mirror image thereof; FIG. 14 is a top view thereof; FIG. 15 is a bottom view thereof; FIG. 16 is a cross-sectional view taken along line 16-16 in FIG. 11; FIG. 17 is an enlarged cross-sectional view taken along line 17-17 in FIG. 11; and, FIG. 18 is an enlarged cross-sectional view taken along line 18-18 in FIG. 11. The broken lines shown in FIGS. 10-18 illustrate portions of the partition panel that form no part of the claimed design.

(Continued)



The dash-dot-dash lines shown in FIGS. 10-18 define the bounds of the claimed design and form no part of the claimed design.

**1 Claim, 14 Drawing Sheets**

**(58) Field of Classification Search**

USPC ..... D6/653.21, 654.14, 654.21, 655.14,  
D6/655.21, 656.16, 688.14, 688.26,  
D6/688.27, 691.5, 695.3, 696.2, 708.22,  
D6/708.23, 710, 711, 708; 160/351  
CPC ..... A47B 2200/01; A47B 2200/12; A47B  
2200/0071; A47B 2220/0058; A47B  
2220/13; A47B 83/001; A47B 91/02;  
A47B 91/022; A47B 91/024; A47B  
91/026; A47B 91/028; A47B 91/16; A47B  
2200/0027; A47B 2200/003; A47B  
2200/0033; E04F 10/04; E04H 1/125;  
E04B 2/7416; E04B 2/7422; E04B  
2/7427; E04B 2/7433; A47G 5/00

See application file for complete search history.

**(56) References Cited**

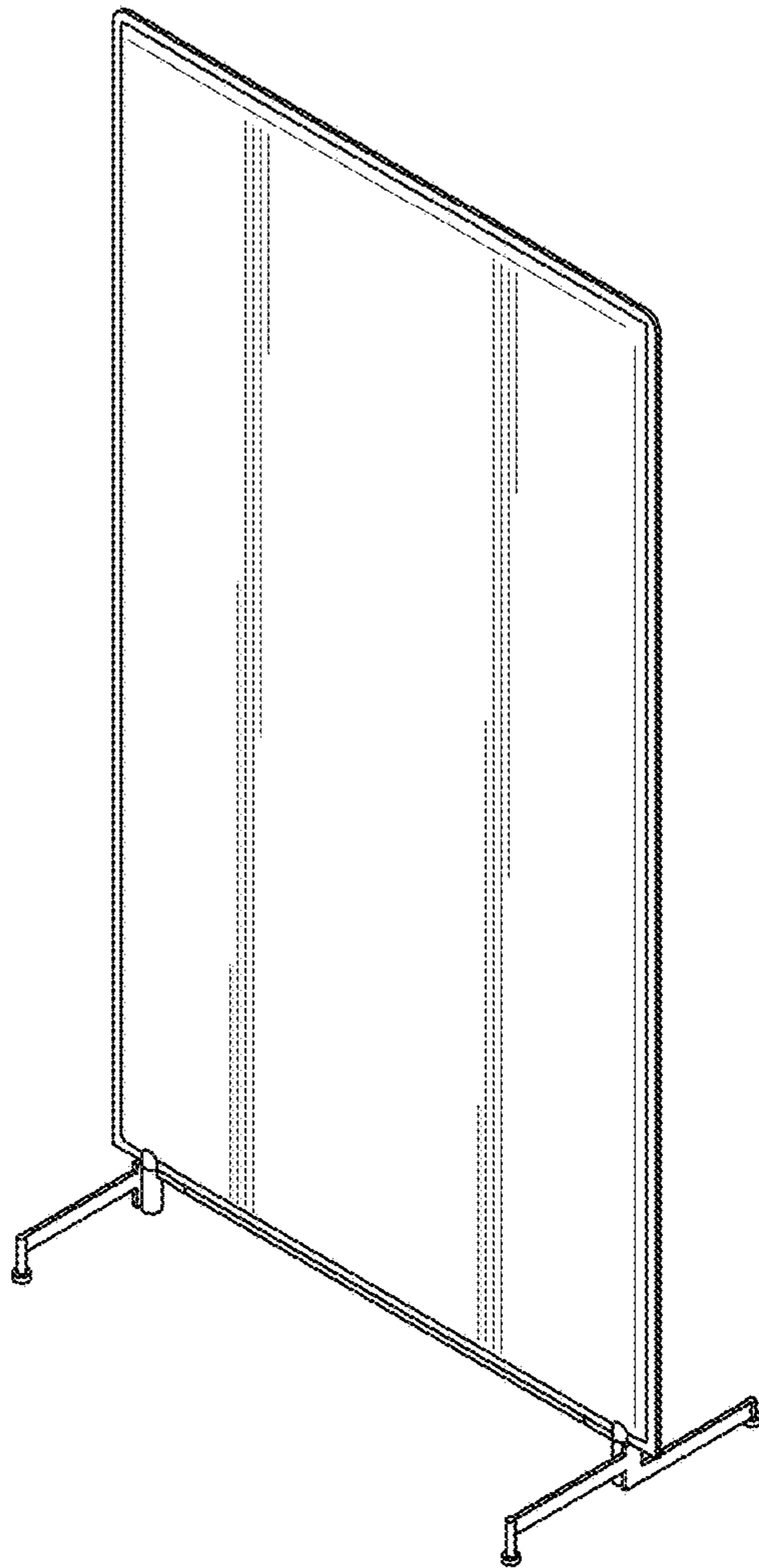
U.S. PATENT DOCUMENTS

3,592,288 A \* 7/1971 Walter ..... E04B 1/8227  
160/351  
3,713,474 A \* 1/1973 Orlando ..... E04B 2/7409  
160/351

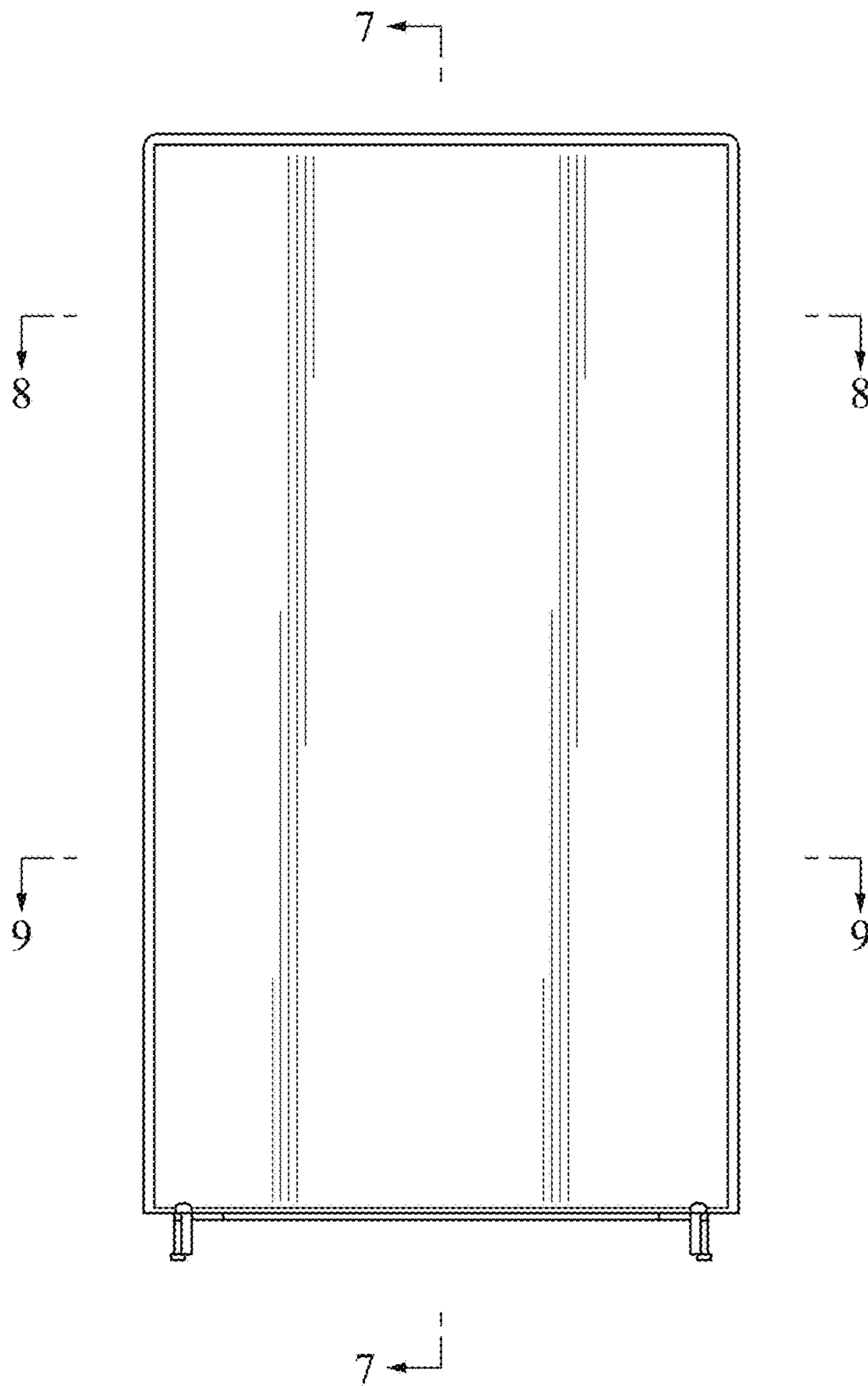
3,949,827 A \* 4/1976 Witherspoon ..... E04B 2/7437  
181/284  
4,121,645 A \* 10/1978 Behr ..... A47G 5/00  
16/365  
4,213,516 A \* 7/1980 Sulewsky ..... E04B 1/8409  
181/286  
D257,604 S \* 12/1980 Cyplik ..... D6/332  
D275,579 S \* 9/1984 Brown ..... D20/10  
4,516,620 A \* 5/1985 Mulhern ..... A01G 9/02  
160/351  
5,152,018 A \* 10/1992 Lea ..... A41D 31/0038  
428/71  
5,718,344 A \* 2/1998 Joldeson ..... A47F 5/13  
211/182  
D400,361 S \* 11/1998 Sobrito ..... D6/332  
5,964,052 A \* 10/1999 Jepsen ..... G09F 15/0062  
40/607.1  
7,077,277 B2 \* 7/2006 Wang ..... A47B 91/02  
182/186.7  
D704,973 S \* 5/2014 Denby ..... D6/708  
8,959,813 B2 \* 2/2015 Denby ..... A47F 5/10  
211/175  
D727,639 S \* 4/2015 Tsuchiyama ..... D6/332  
D729,548 S \* 5/2015 Denby ..... D6/672  
9,414,697 B2 \* 8/2016 Parshad ..... A47G 5/00  
D785,381 S \* 5/2017 Johnson ..... D6/681  
D807,652 S \* 1/2018 Kawamoto ..... D6/332  
9,874,011 B2 \* 1/2018 Oliveira ..... E04B 2/7422  
D837,296 S \* 1/2019 Martin ..... D19/114  
2005/0127018 A1 \* 6/2005 Sung ..... A47F 5/0838  
211/206

\* cited by examiner

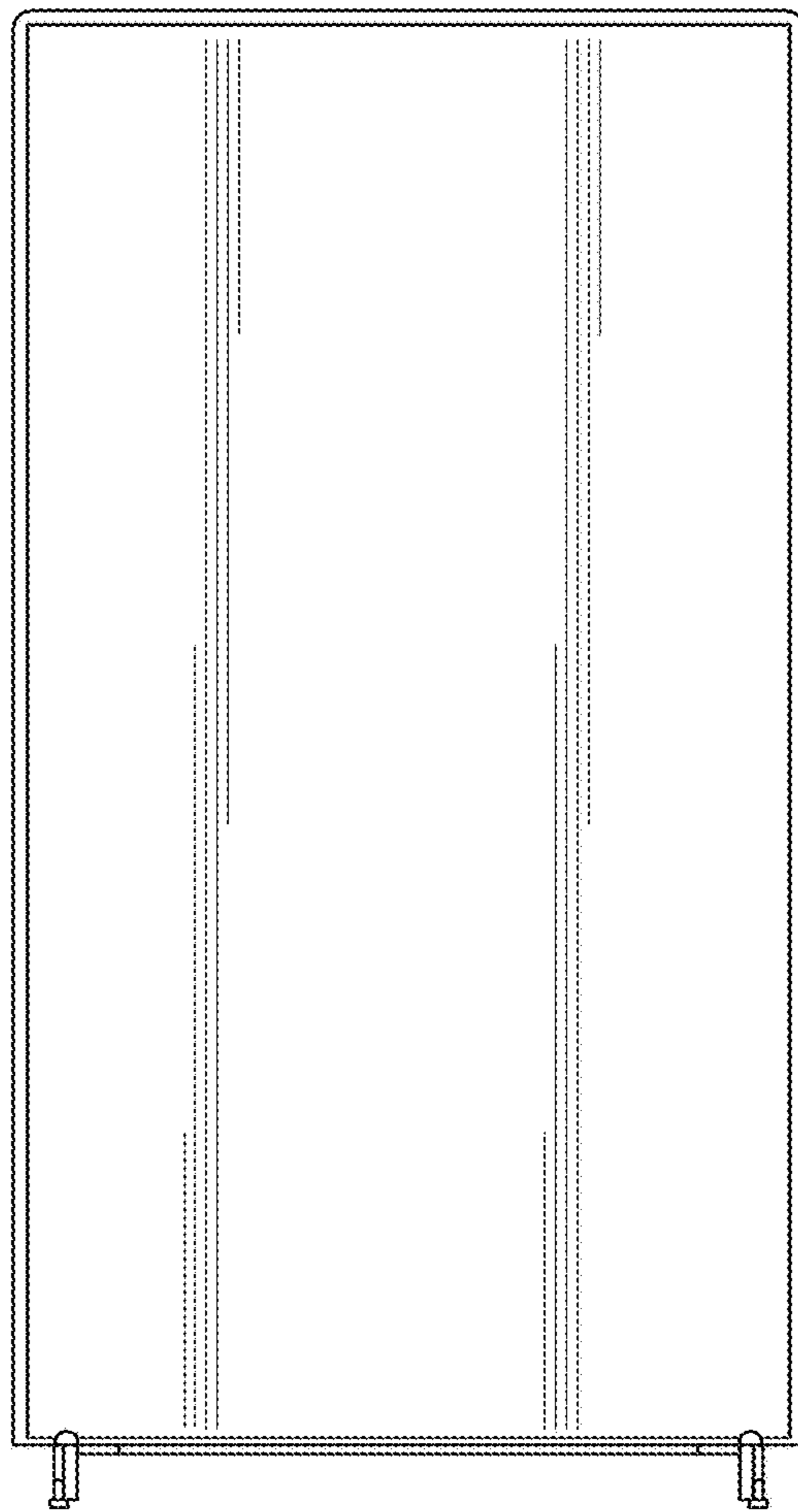
**FIG. 1**



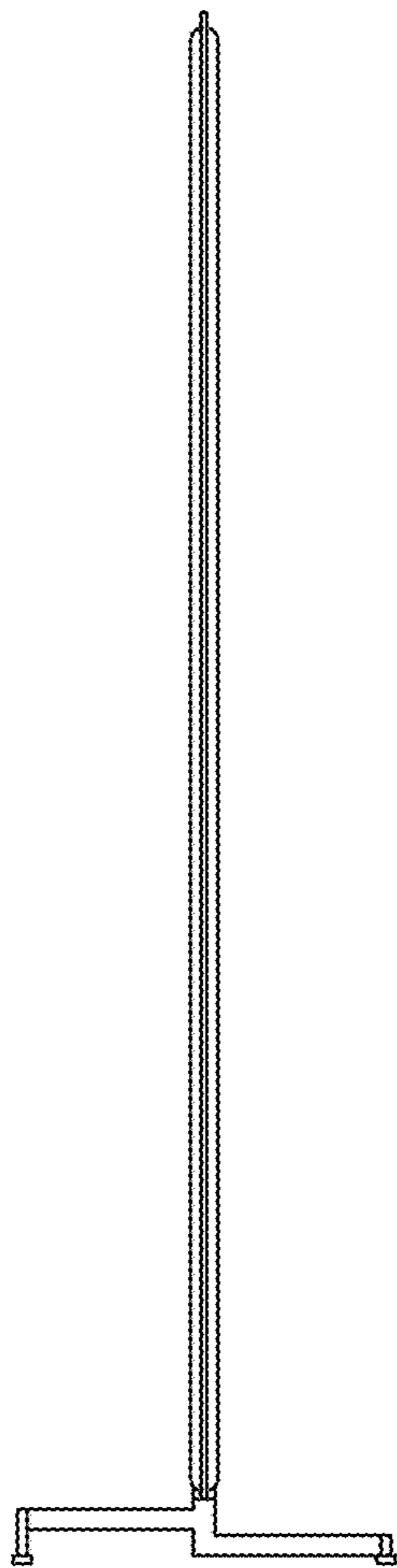
**FIG. 2**



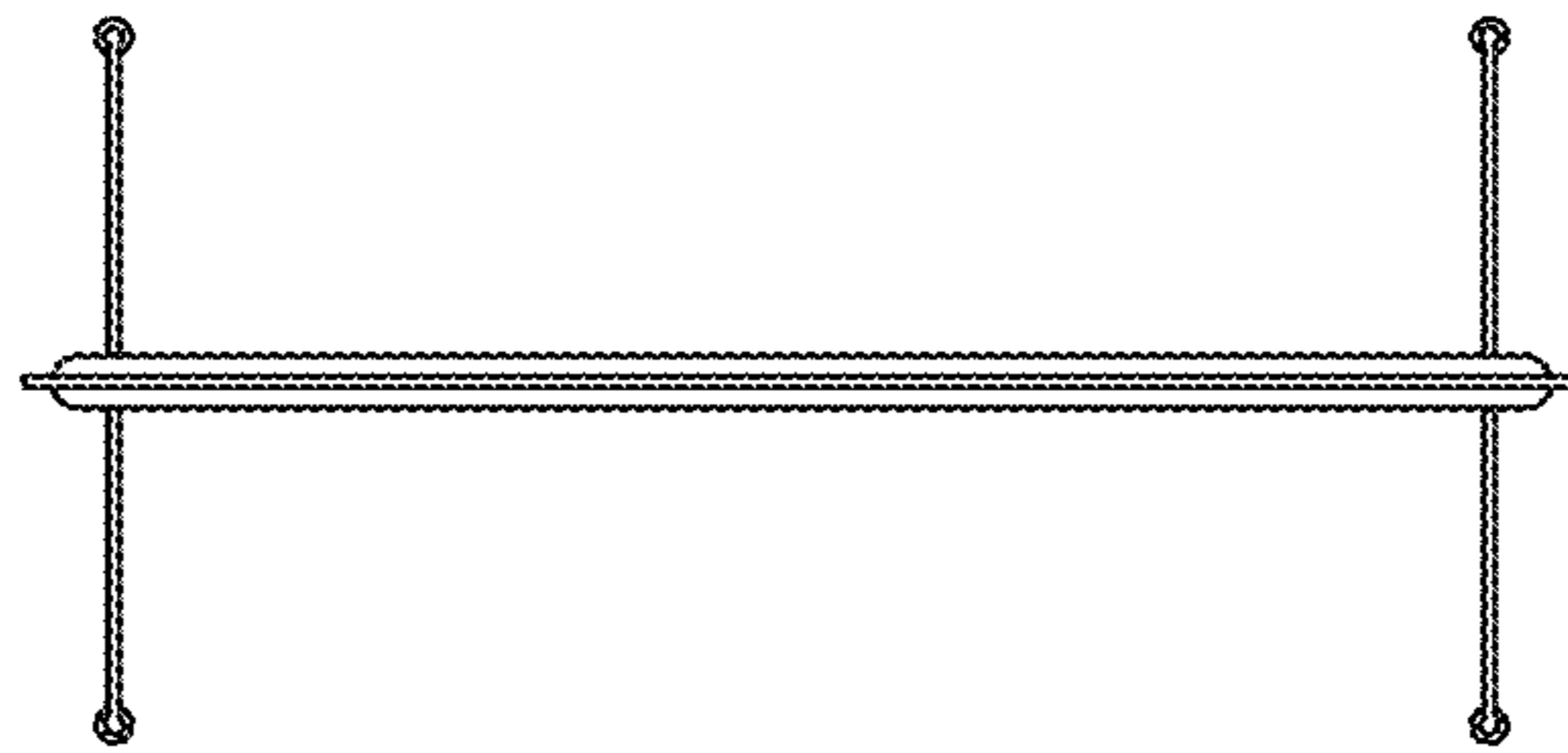
**FIG. 3**



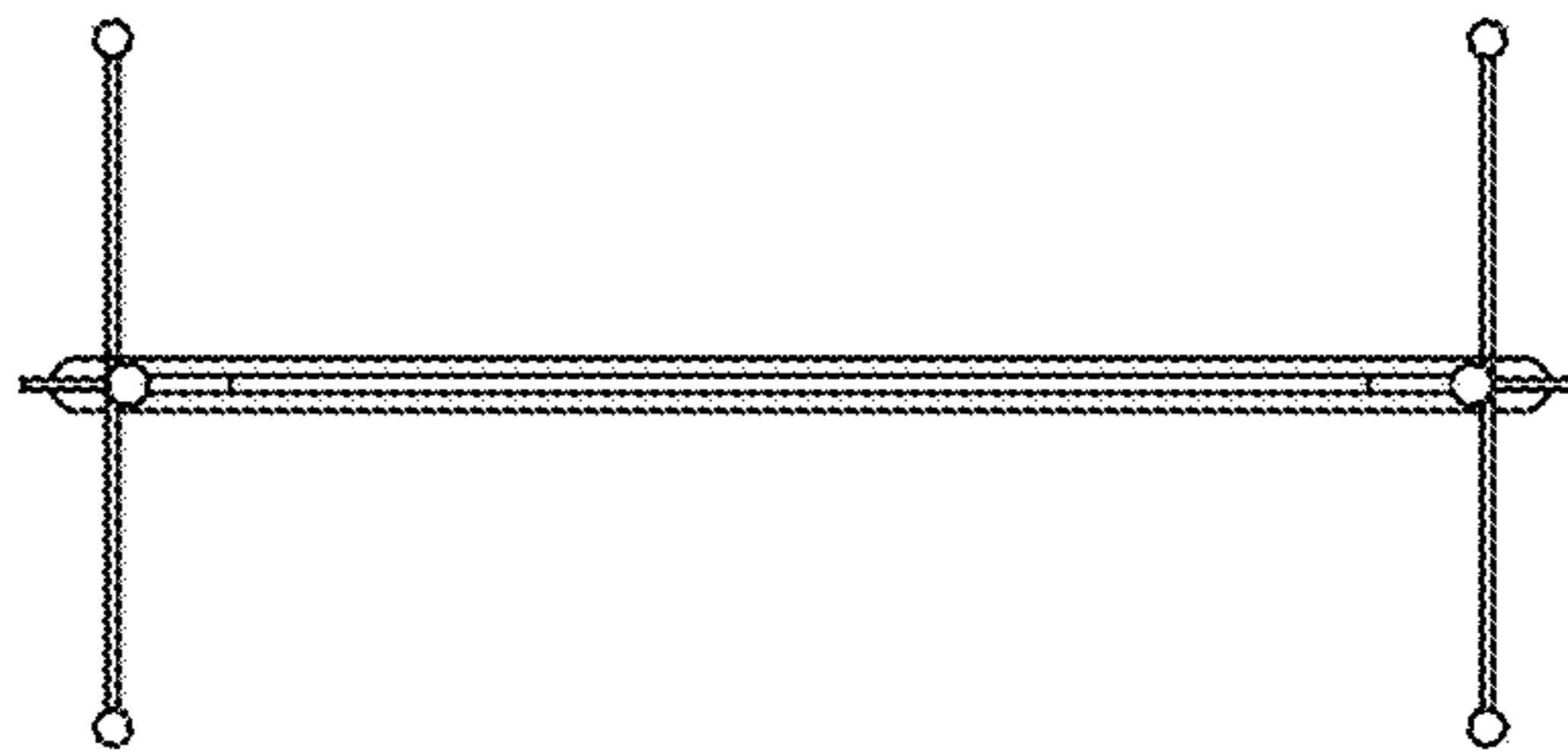
**FIG. 4**



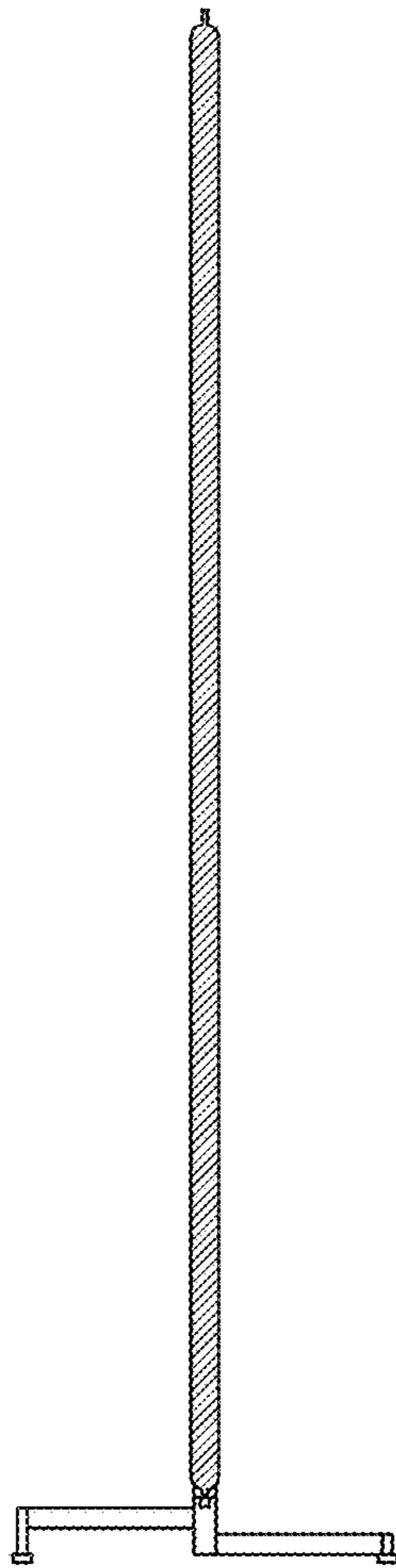
**FIG. 5**



**FIG. 6**

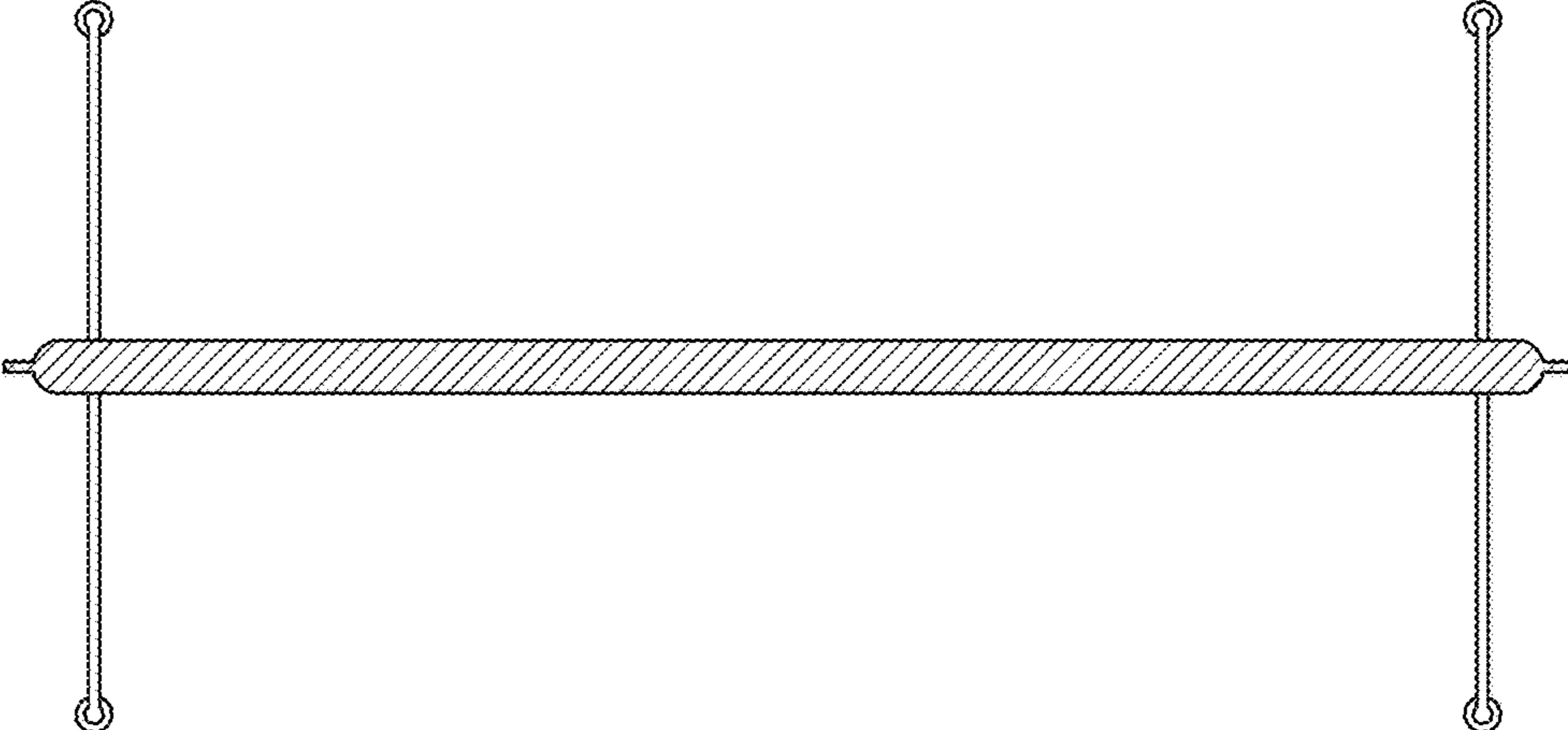


**FIG. 7**

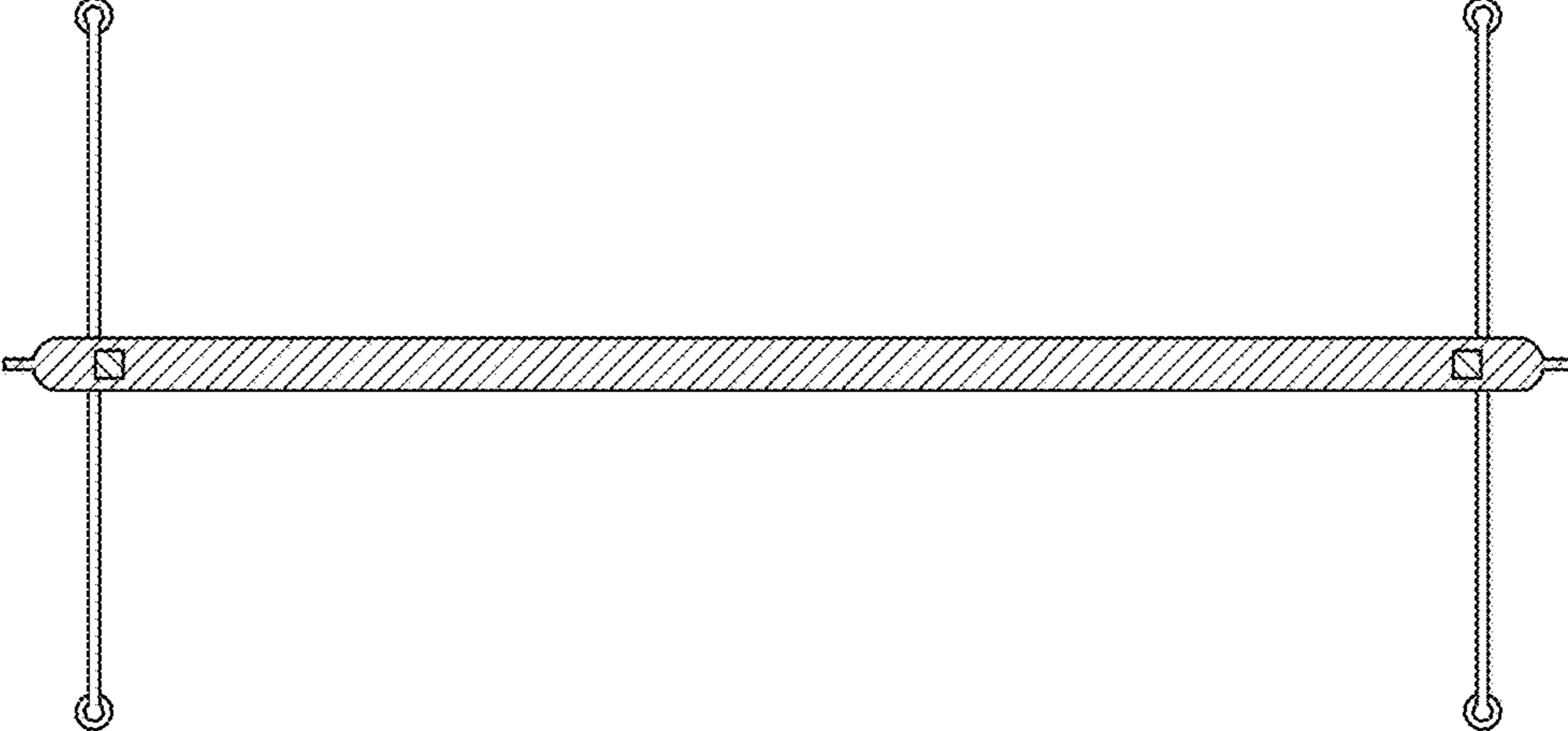




**FIG. 8**



**FIG. 9**



**FIG. 10**

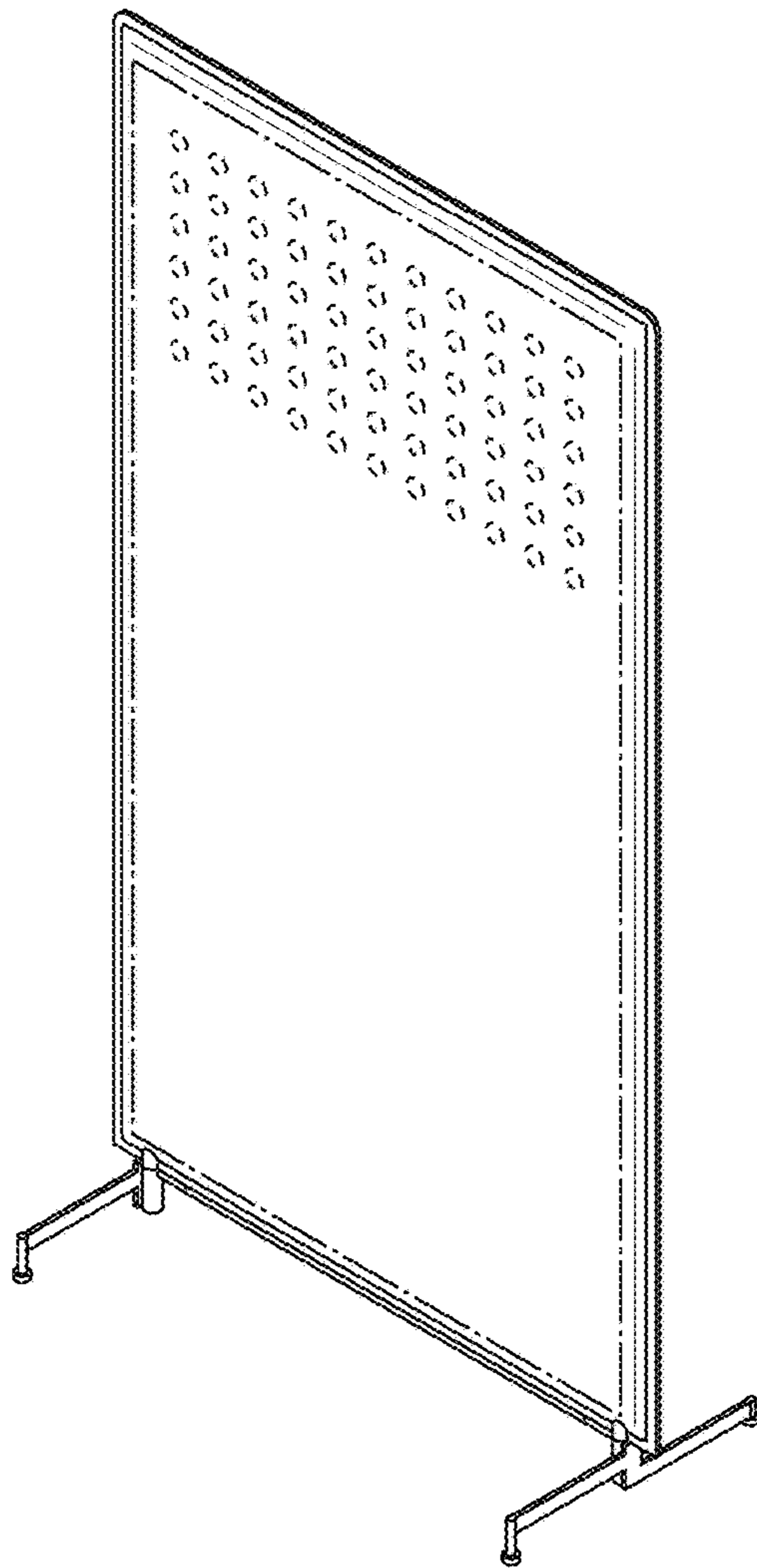
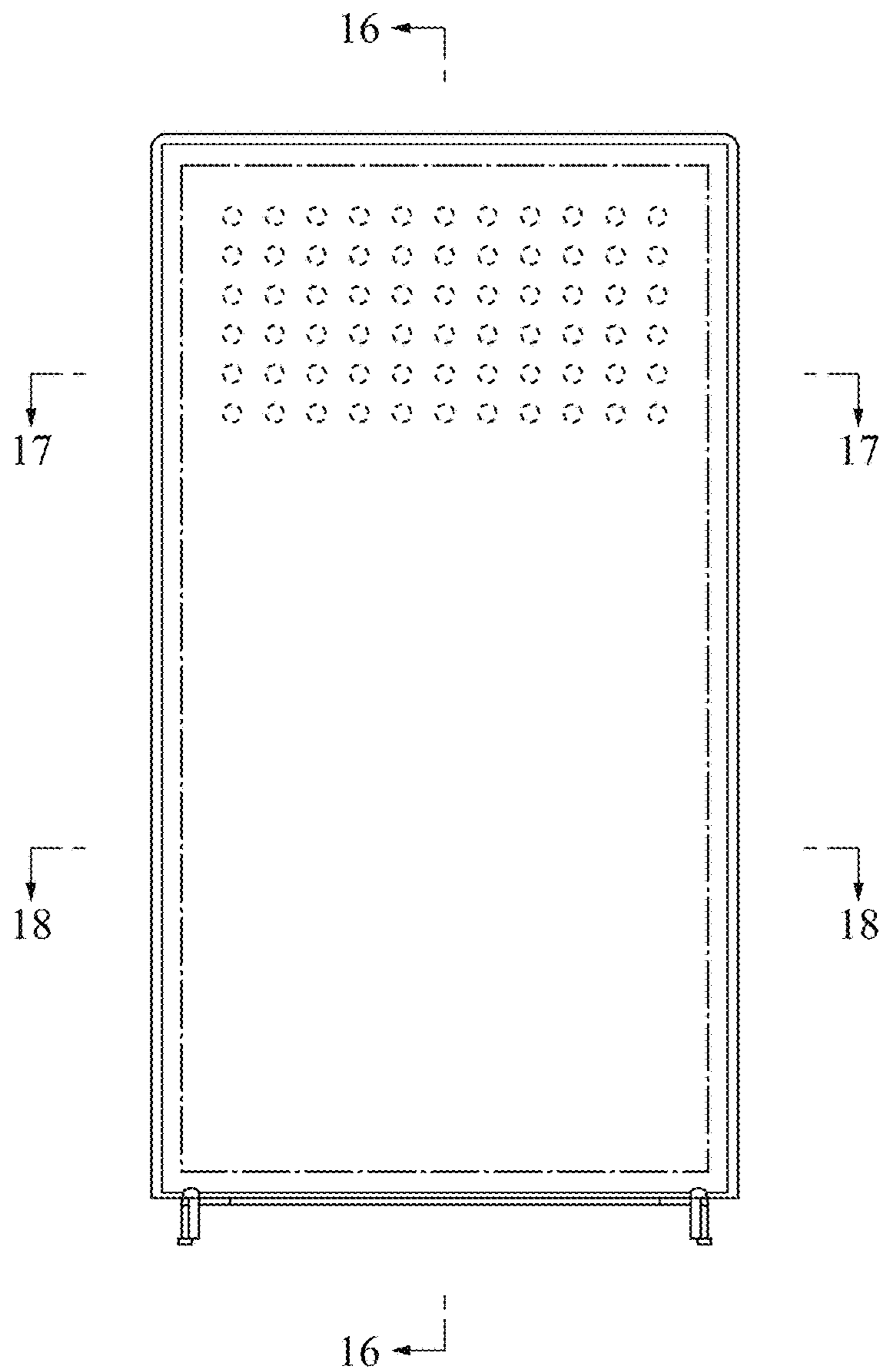
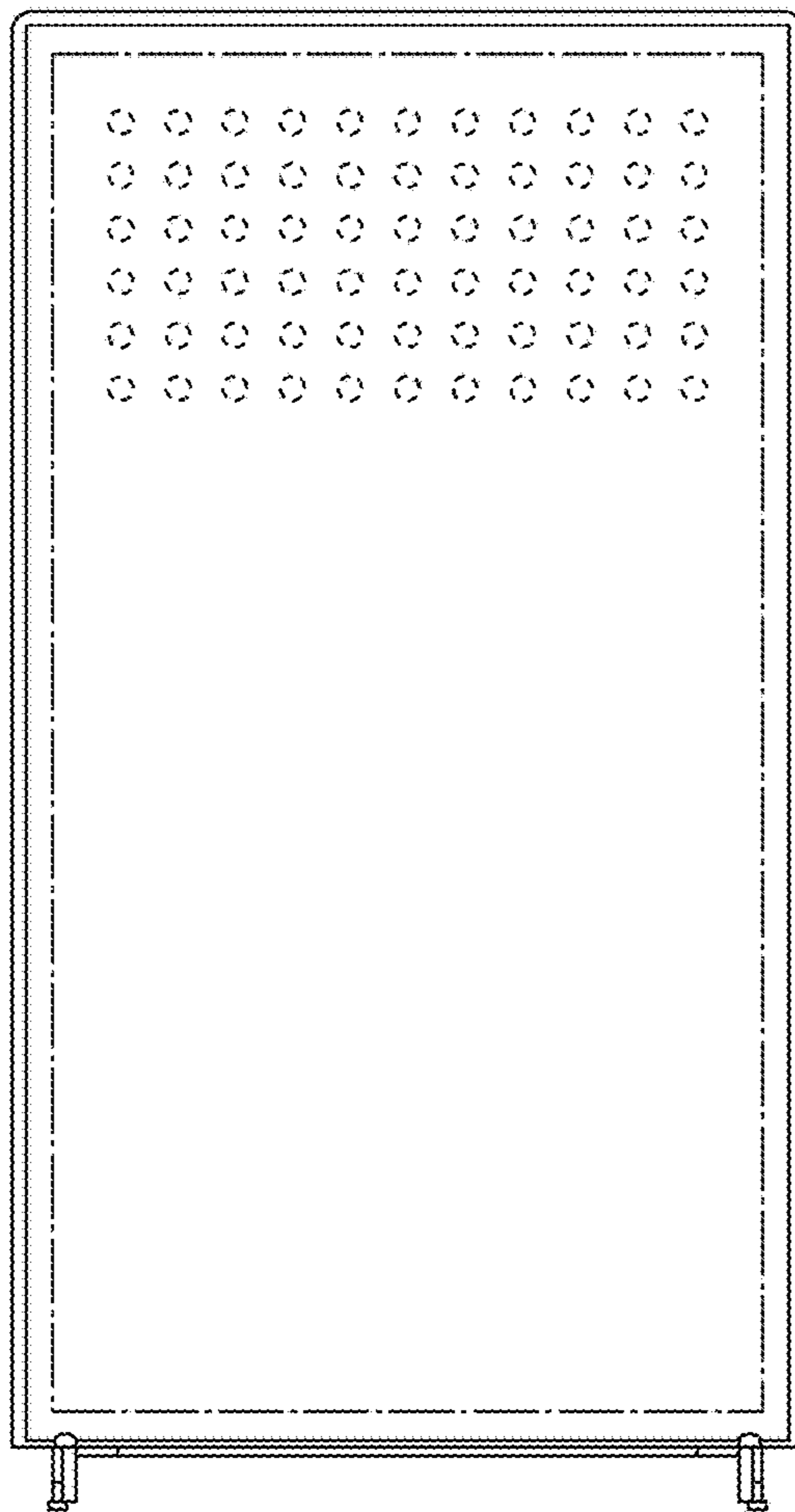


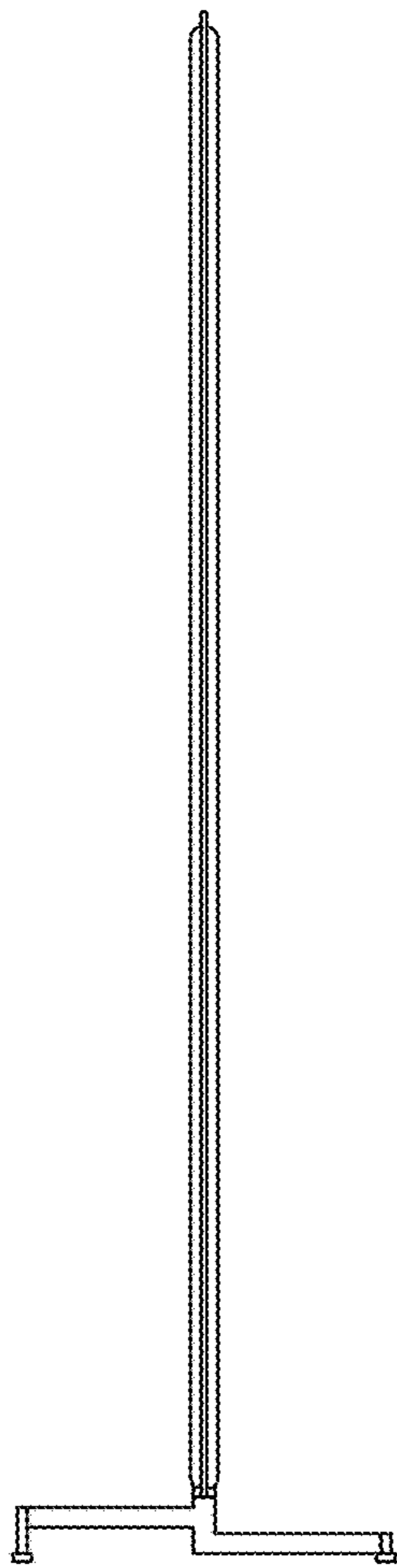
FIG. 11



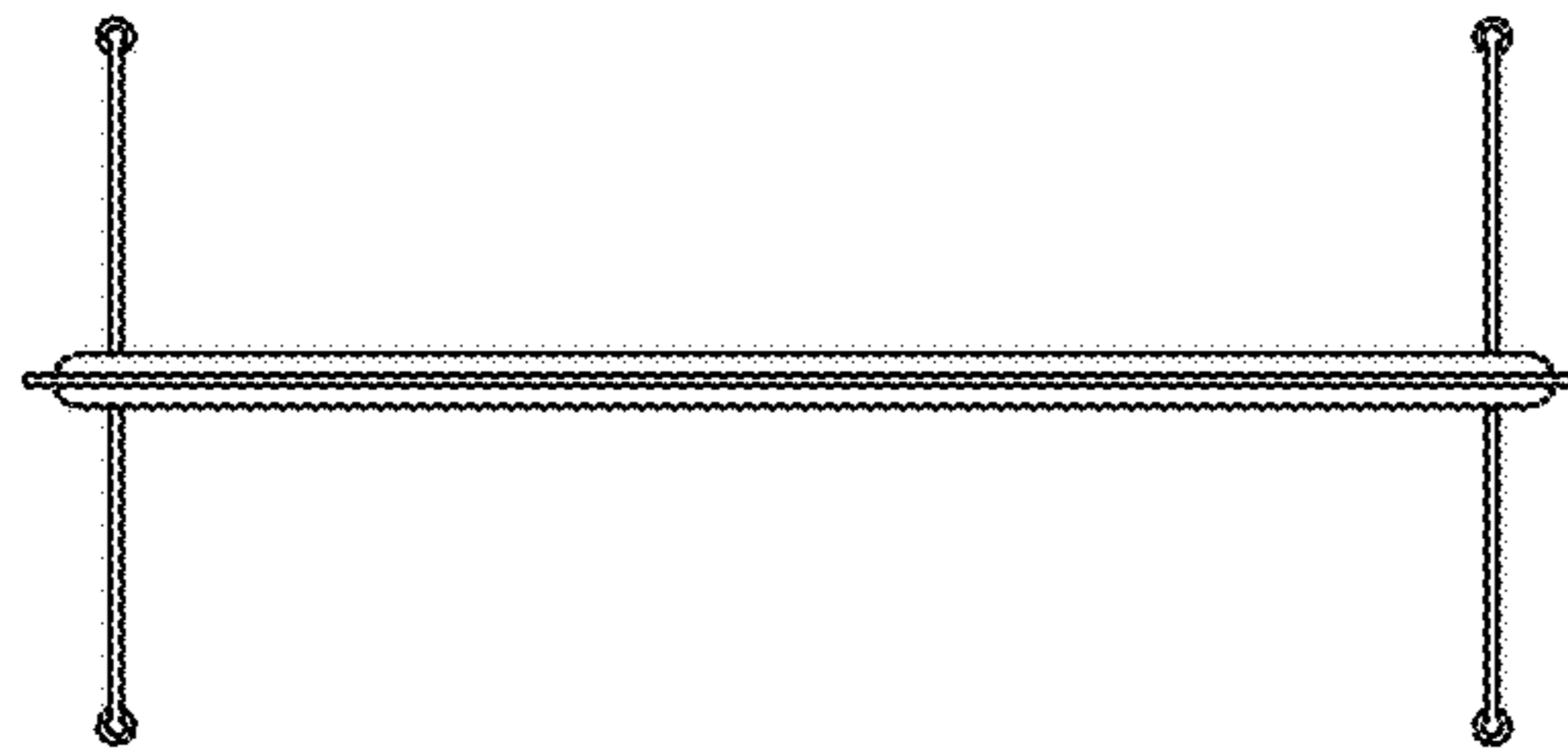
**FIG. 12**



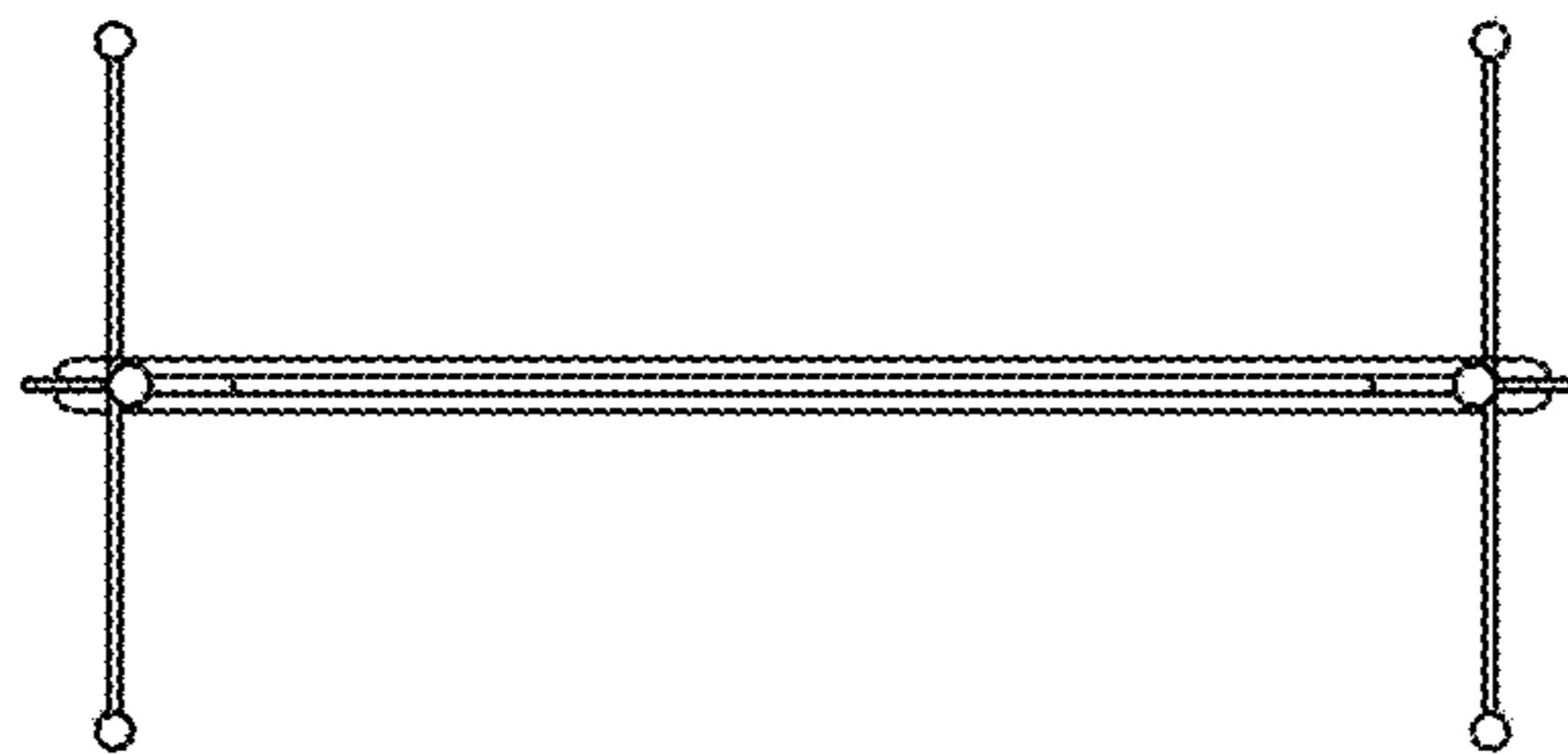
**FIG. 13**



**FIG. 14**



**FIG. 15**



**FIG. 16**

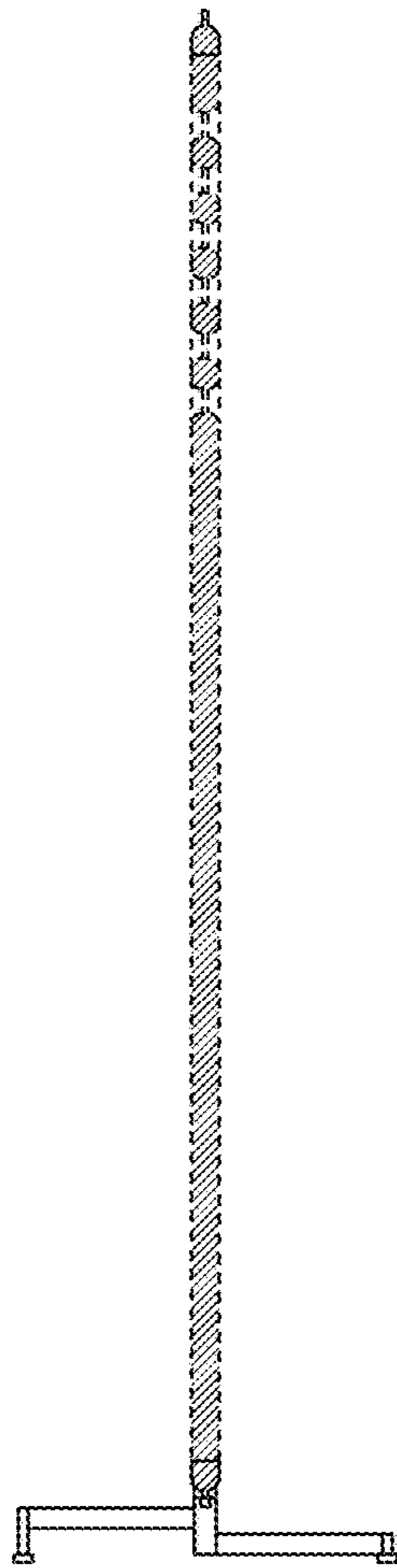


FIG. 17

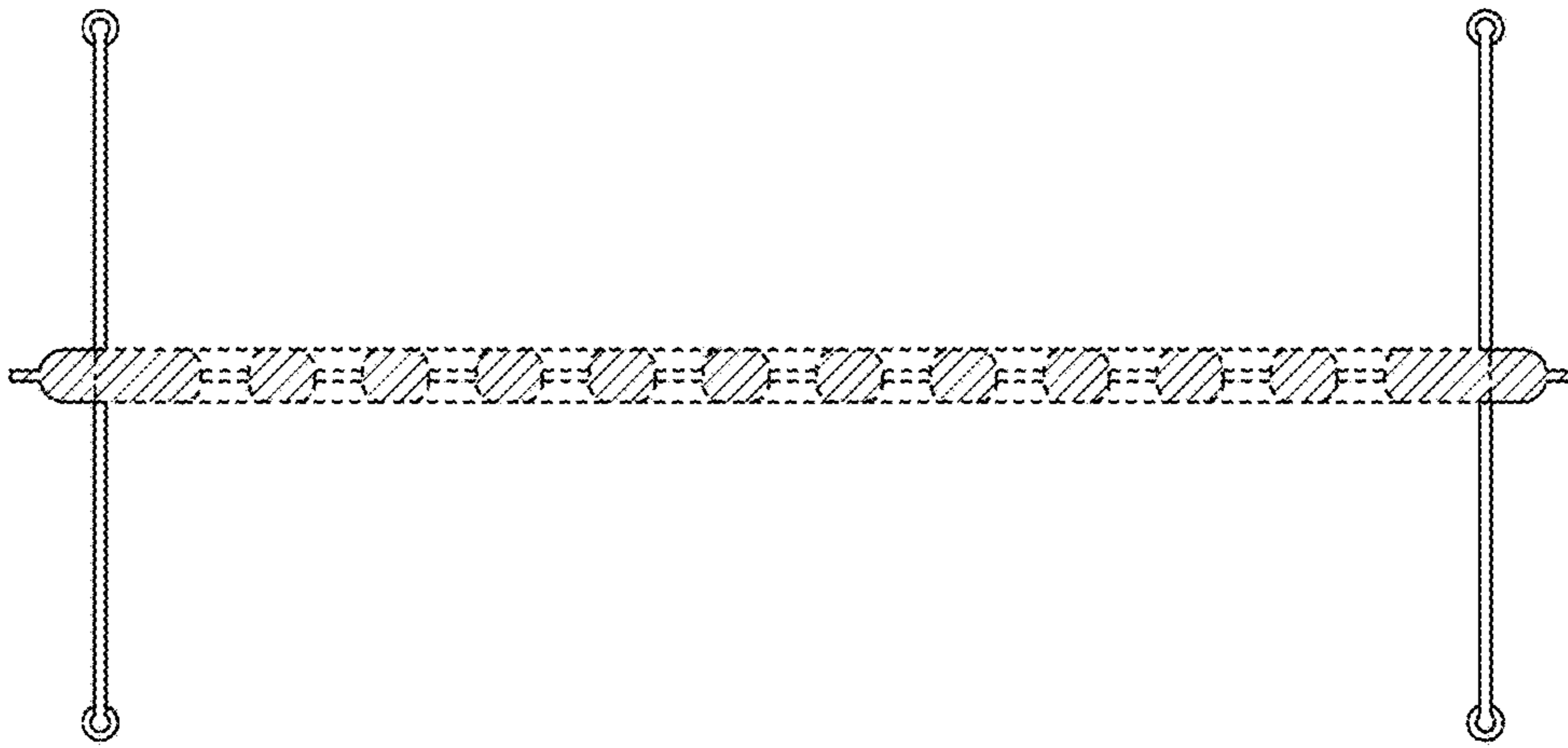


FIG. 18

