



US00D859012S

(12) **United States Design Patent**  
**Martell et al.**

(10) **Patent No.:** **US D859,012 S**

(45) **Date of Patent:** **\*\* Sep. 10, 2019**

(54) **GARMENT HANGER**

(71) Applicant: **TARGET BRANDS, INC.**,  
Minneapolis, MN (US)

(72) Inventors: **Timothy James Martell**, Brooklyn  
Park, MN (US); **Jeremy A. Clark**,  
Minneapolis, MN (US)

(73) Assignee: **TARGET BRANDS, INC.**,  
Minneapolis, MN (US)

(\*\*) Term: **15 Years**

(21) Appl. No.: **29/688,753**

(22) Filed: **Apr. 24, 2019**

**Related U.S. Application Data**

(62) Division of application No. 29/672,897, filed on Dec.  
10, 2018, which is a division of application No.  
29/553,482, filed on Feb. 2, 2016, now Pat. No. Des.  
839,613.

(51) **LOC (12) Cl.** ..... **06-08**

(52) **U.S. Cl.**  
USPC ..... **D6/328**

(58) **Field of Classification Search**  
USPC ..... D6/315-328  
CPC ..... A47G 25/32; A47G 25/743; A47G 25/36;  
A47G 25/1407; A47G 25/06; A47G  
25/38; A47G 25/1414; A47G 25/0607;  
A47G 25/186; A47F 5/0006; A47F 7/19;  
A47F 7/24; Y10T 24/51; Y10T 24/3449  
See application file for complete search history.

(56) **References Cited**

**U.S. PATENT DOCUMENTS**

D210,259 S \* 2/1968 Holtzman ..... 223/88  
3,949,914 A 4/1976 Ostroll  
D245,748 S 9/1977 Ostroll

4,063,670 A \* 12/1977 Faarbech ..... A47G 25/32  
223/92

D264,912 S 6/1982 Bliss et al.  
4,450,639 A 5/1984 Duester  
4,517,709 A 5/1985 Arentsen et al.  
D282,982 S 3/1986 Kodet  
4,717,053 A \* 1/1988 Wang ..... A47G 25/4053  
211/118

D303,325 S 9/1989 Marshall  
(Continued)

*Primary Examiner* — Lauren R Calve

(74) *Attorney, Agent, or Firm* — JoAnn M. Seaton;  
Griffiths & Seaton PLLC

(57) **CLAIM**

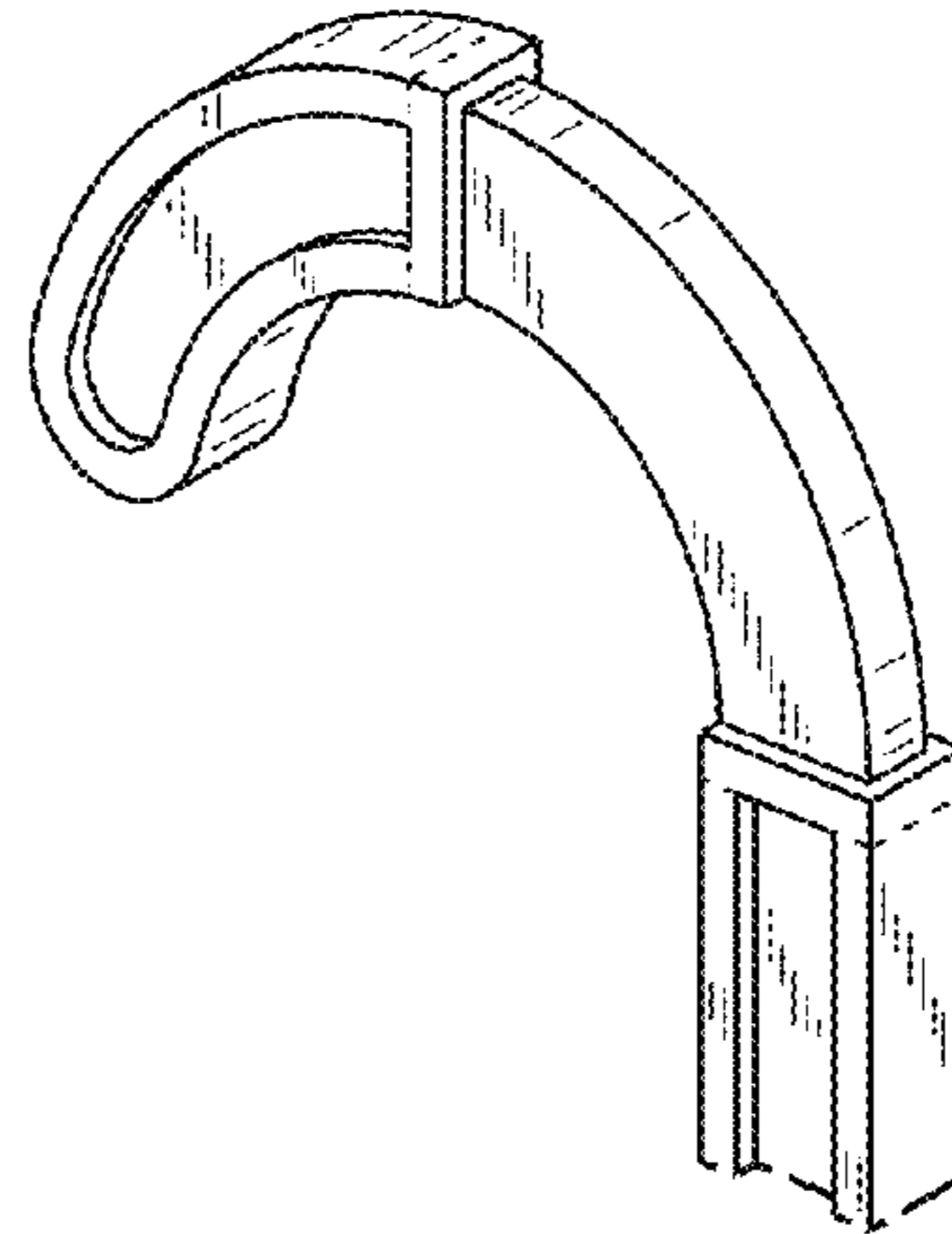
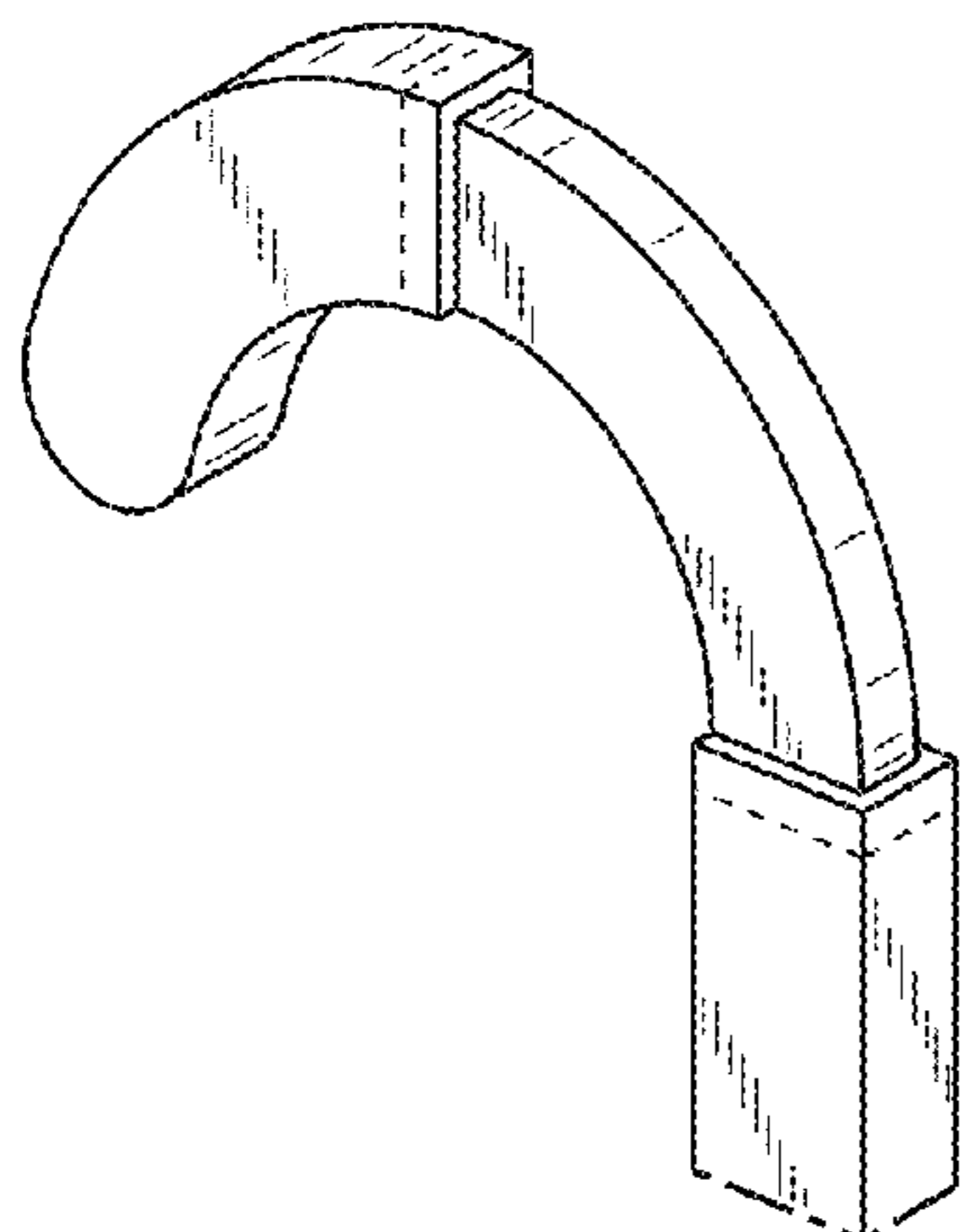
The ornamental design for a garment hanger, as shown and  
described.

**DESCRIPTION**

FIG. 1 is a right side perspective view of a garment hanger  
showing an embodiment of our new design;  
FIG. 2 is a front view thereof, wherein the rear surfaces  
thereof are unclaimed such that a rear view is omitted;  
FIG. 3 is a right side view thereof;  
FIG. 4 is a left side view thereof;  
FIG. 5 is a top view thereof; and  
FIG. 6 is a bottom view thereof.  
FIG. 7 is a right side perspective view of a garment hanger  
showing a second embodiment of our new design;  
FIG. 8 is a front view thereof, wherein the rear surfaces  
thereof are unclaimed such that a rear view is omitted;  
FIG. 9 is a right side view thereof;  
FIG. 10 is a left side view thereof;  
FIG. 11 is a top view thereof; and,  
FIG. 12 is a bottom view thereof.

In the drawings, the broken lines depict unclaimed subject  
matter only and form no part of the claimed design. The  
features shown in long dash-short dash bolded broken lines  
indicate the bounds of the claimed design and otherwise  
form no part of the claimed design.

**1 Claim, 2 Drawing Sheets**





(56)

**References Cited**

U.S. PATENT DOCUMENTS

2009/0212080	A1	8/2009	Goldman
2009/0294492	A1	12/2009	Goldman et al.
2009/0294493	A1	12/2009	Ho et al.
2009/0294494	A1	12/2009	Ho
2010/0019002	A1	1/2010	Gouldson
2010/0270338	A1	10/2010	Mainetti
2011/0042423	A1	2/2011	Gouldson
2011/0101044	A1	5/2011	Chan
2012/0067929	A1	3/2012	Gouldson
2012/0097716	A1	4/2012	Gouldson
2012/0181309	A1	7/2012	Mainetti
2012/0292352	A1	11/2012	Gouldson
2017/0000278	A1*	1/2017	Hansen ..... A47G 25/40

\* cited by examiner

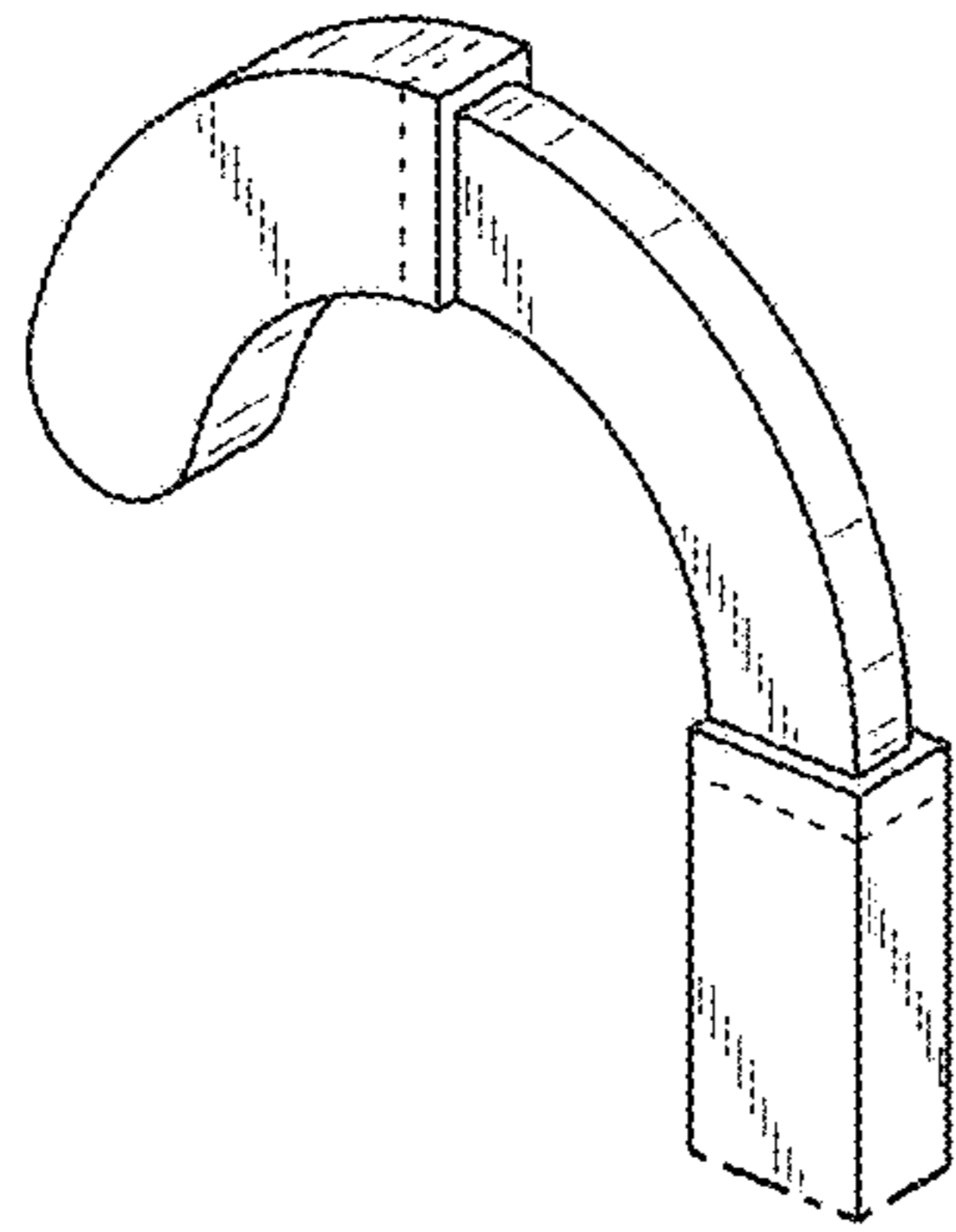


FIG. 1

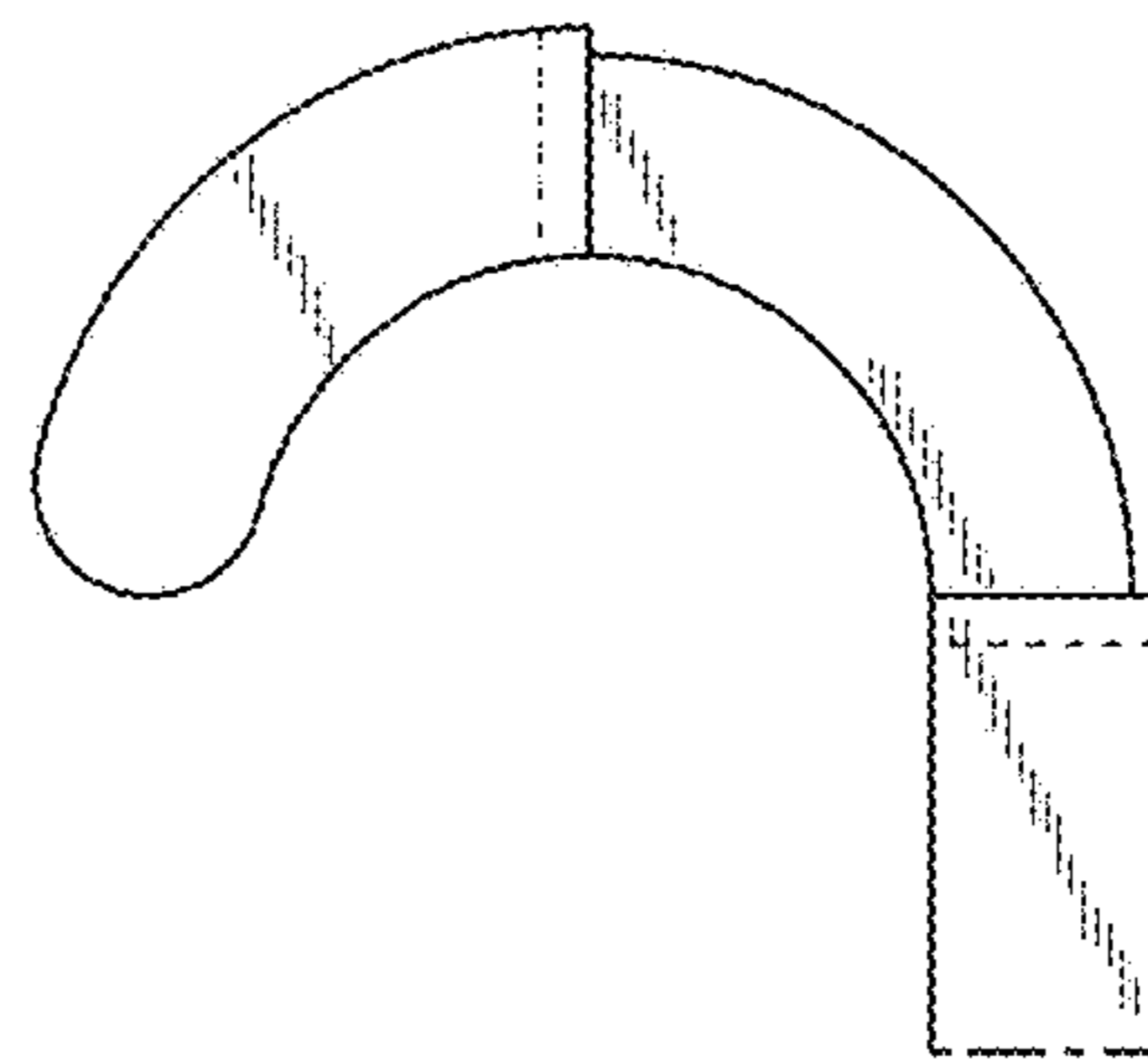


FIG. 2



FIG. 3



FIG. 4



FIG. 5

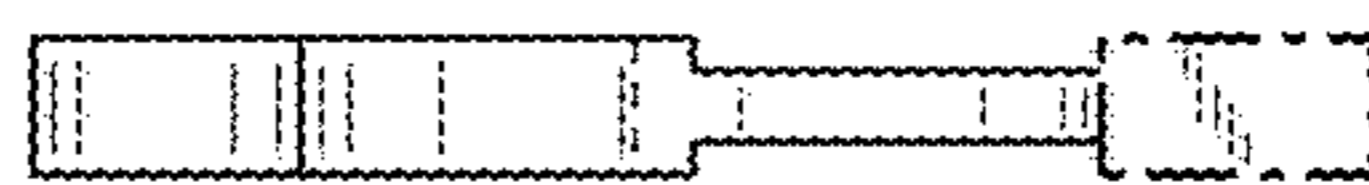


FIG. 6

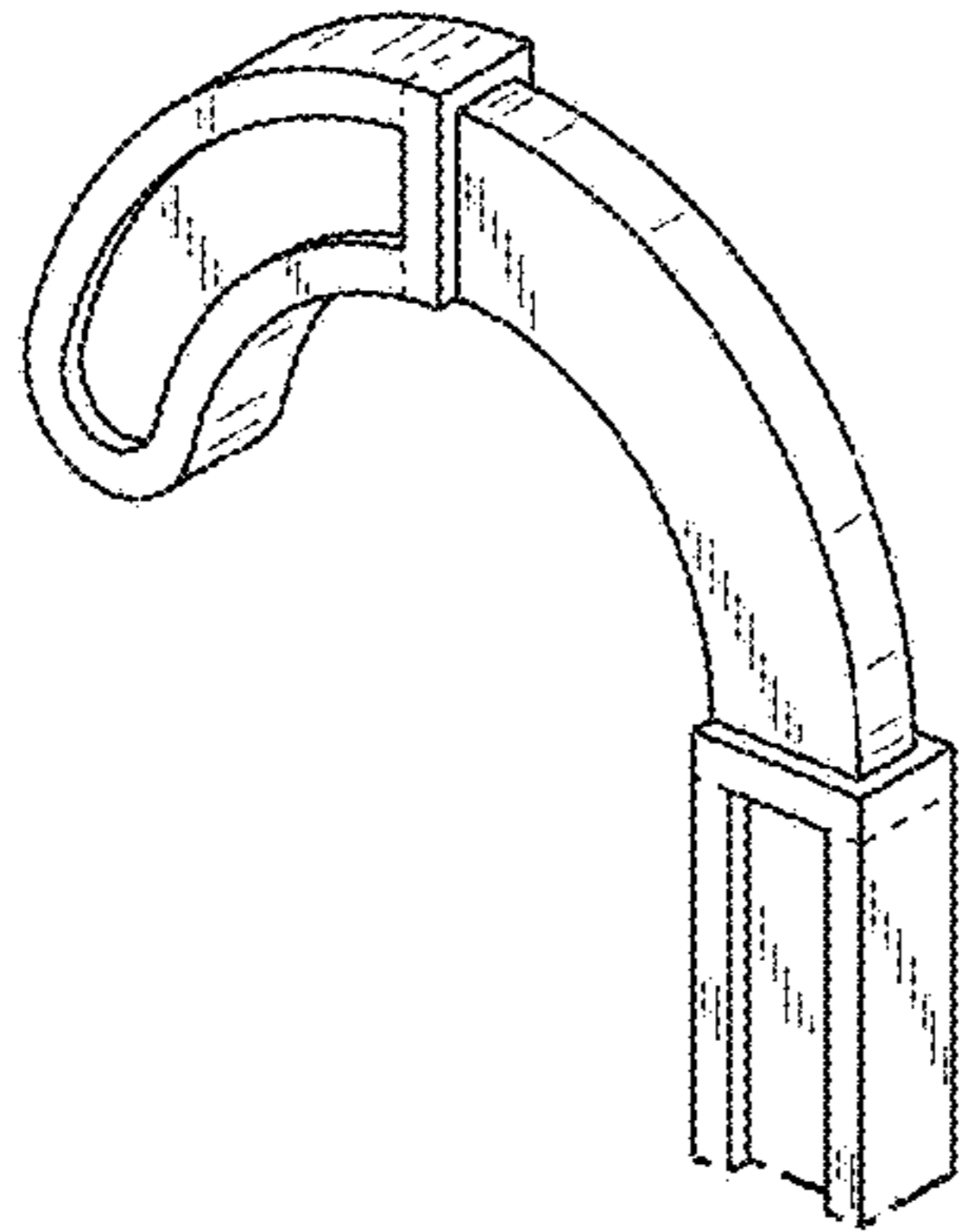


FIG. 7

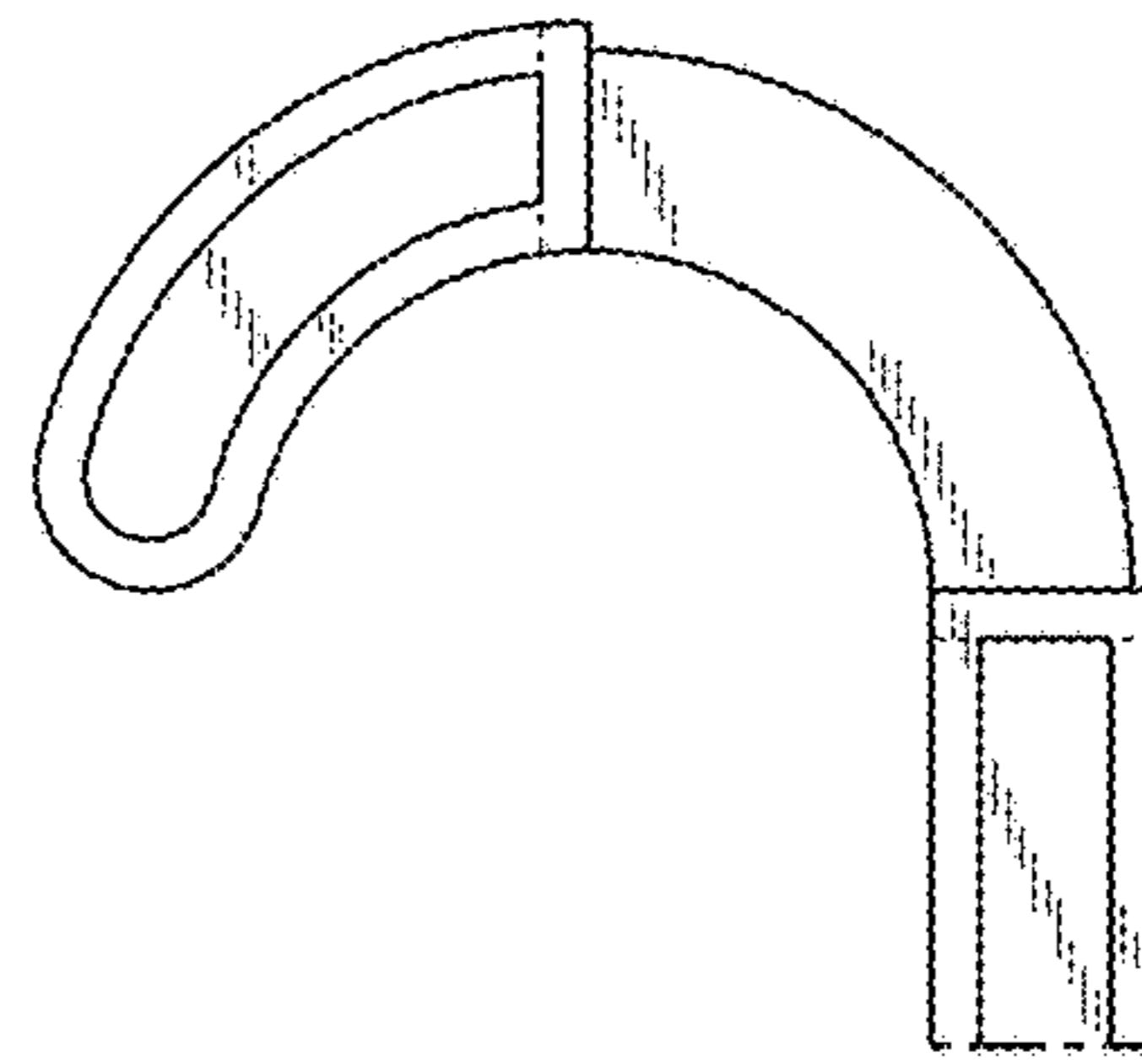


FIG. 8



FIG. 9



FIG. 10



FIG. 11



FIG. 12