



US00D859011S

(12) **United States Design Patent**
Liu

(10) **Patent No.:** **US D859,011 S**

(45) **Date of Patent:** **** Sep. 10, 2019**

(54) **MIRROR**

(71) Applicant: **Shaodan Liu**, Meizhou (CN)

(72) Inventor: **Shaodan Liu**, Meizhou (CN)

(**) Term: **15 Years**

(21) Appl. No.: **29/632,077**

(22) Filed: **Jan. 4, 2018**

(51) **LOC (12) Cl.** **06-06**

(52) **U.S. Cl.**
USPC **D6/310**

(58) **Field of Classification Search**
USPC D6/300-314
CPC A45D 42/18; A47G 1/04
See application file for complete search history.

(56) **References Cited**

U.S. PATENT DOCUMENTS

D241,800 S *	10/1976	Johnson et al.	D6/301
D267,174 S *	12/1982	Fox	281/45
D298,087 S *	10/1988	Arce	D6/300
D392,468 S *	3/1998	O'Reilly	D6/300
D543,707 S *	6/2007	Chan	D6/312

D572,024 S *	7/2008	Shapiro	D6/301
D785,345 S *	5/2017	Yang	D6/310
D801,060 S *	10/2017	Hollinger	D6/309
D825,205 S *	8/2018	Liu	D6/310
D833,762 S *	11/2018	Liu	D6/310
10,161,622 B1 *	12/2018	Frazier	A45D 42/18

* cited by examiner

Primary Examiner — Deanna L Pratt

(74) *Attorney, Agent, or Firm* — Novoclaims Patent Services LLC; Mei Lin Wong

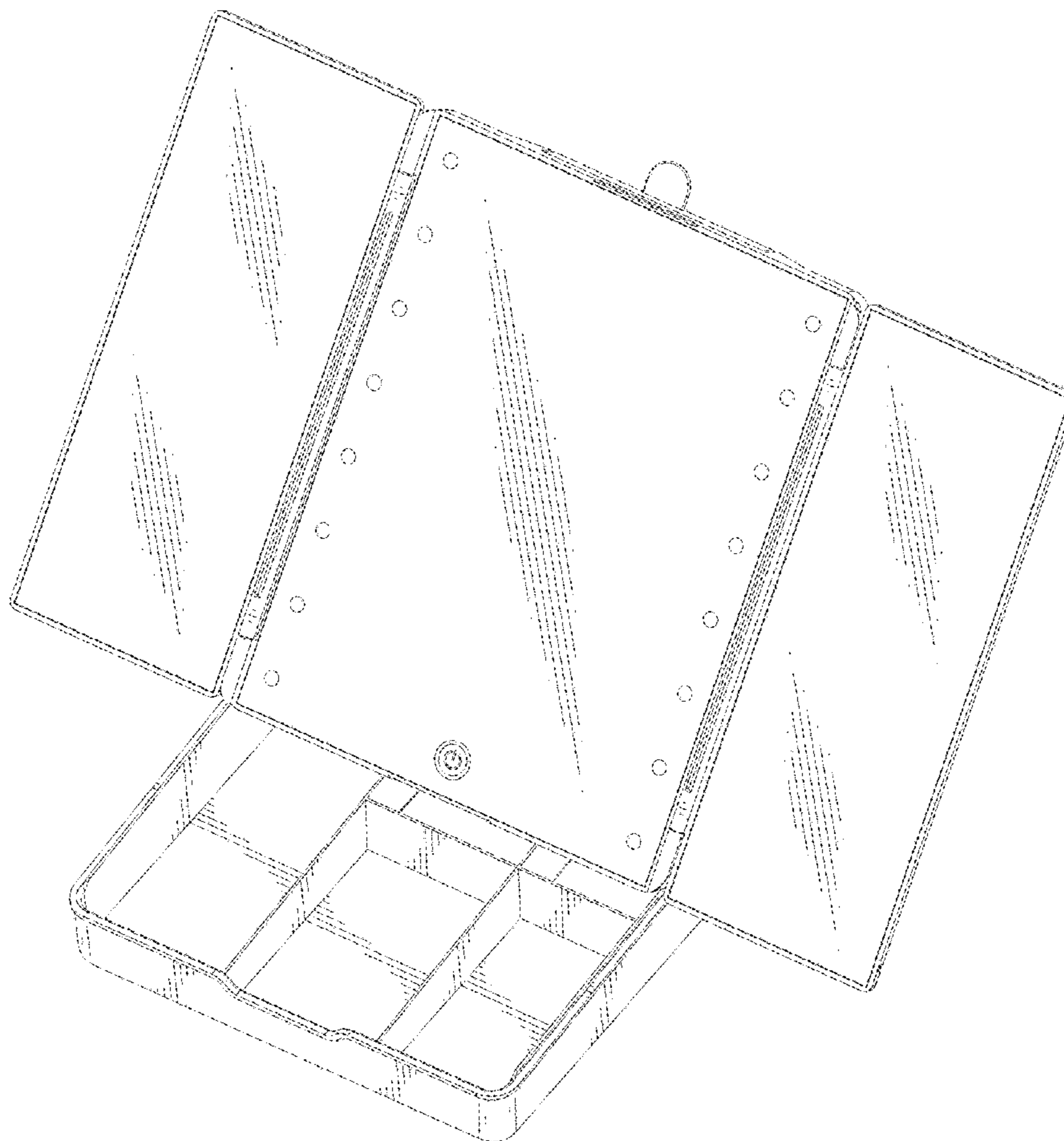
(57) **CLAIM**

The ornamental design for a mirror, as shown and described.

DESCRIPTION

FIG. 1 is a perspective view of a mirror, showing my new design;
FIG. 2 is a rear perspective view thereof;
FIG. 3 is a front view thereof;
FIG. 4 is a rear view thereof;
FIG. 5 is a left side end view thereof;
FIG. 6 is a right side end view thereof;
FIG. 7 is a top view thereof; and,
FIG. 8 is a bottom view thereof.

1 Claim, 8 Drawing Sheets



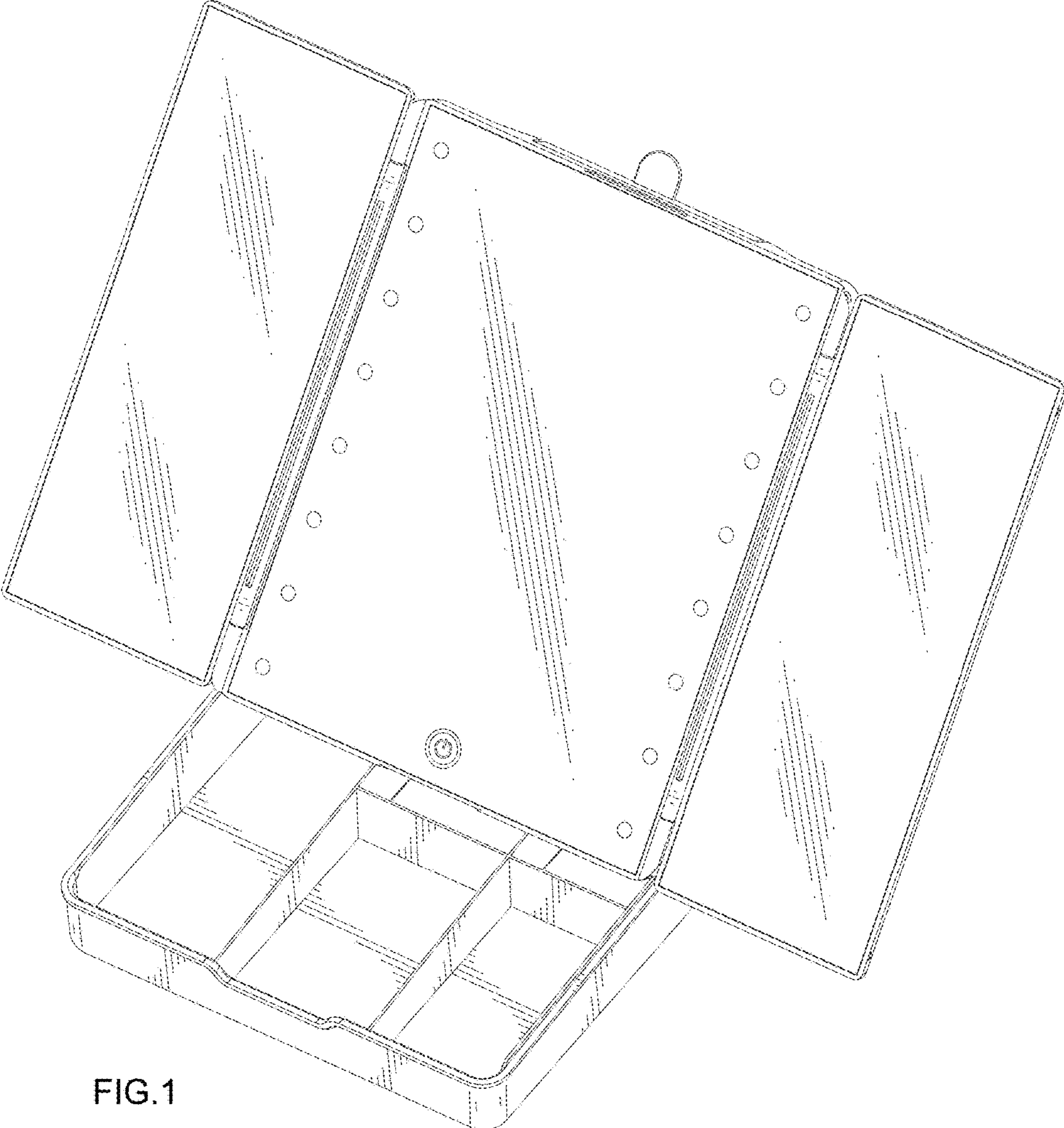


FIG.1

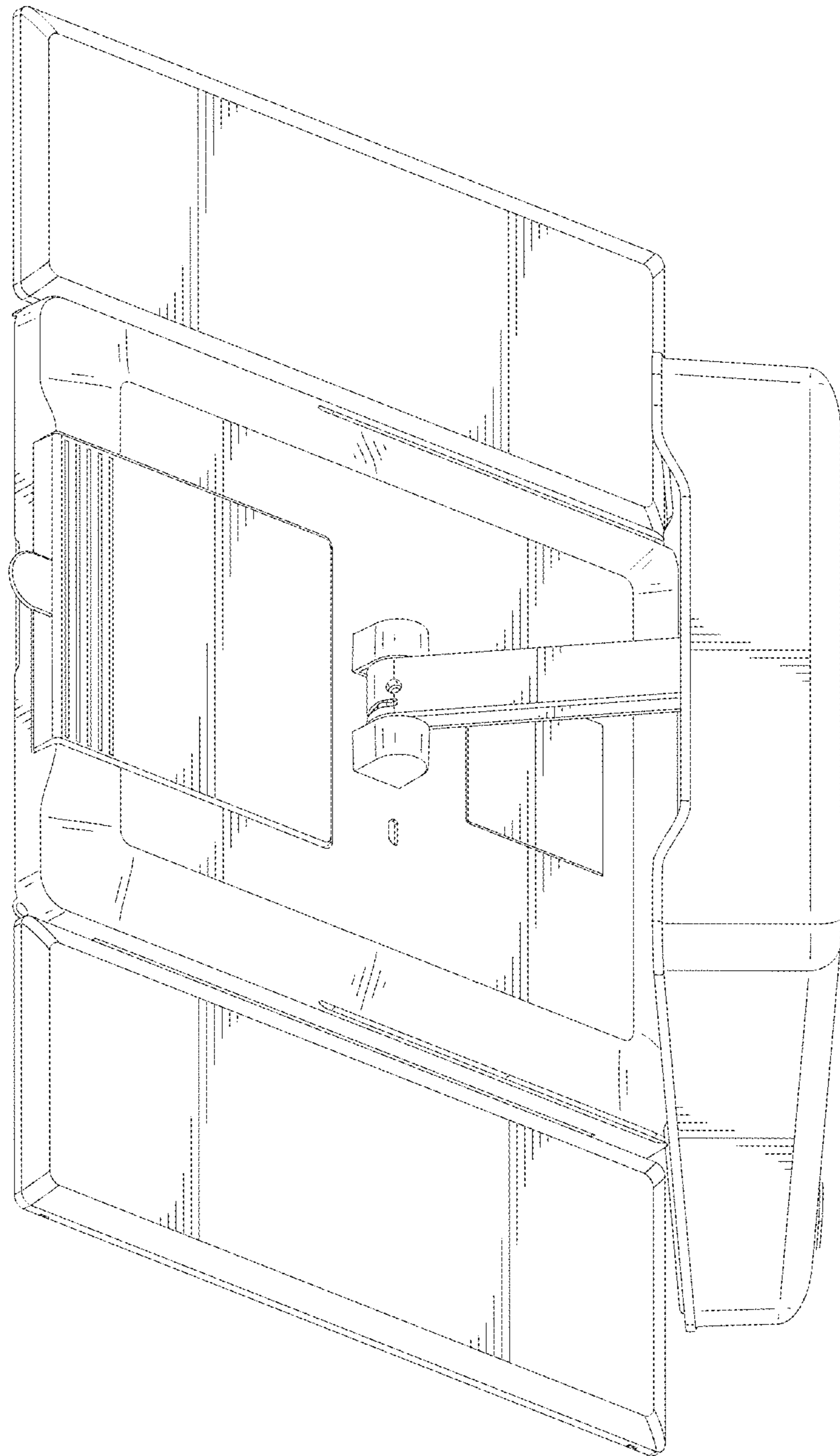


FIG.2

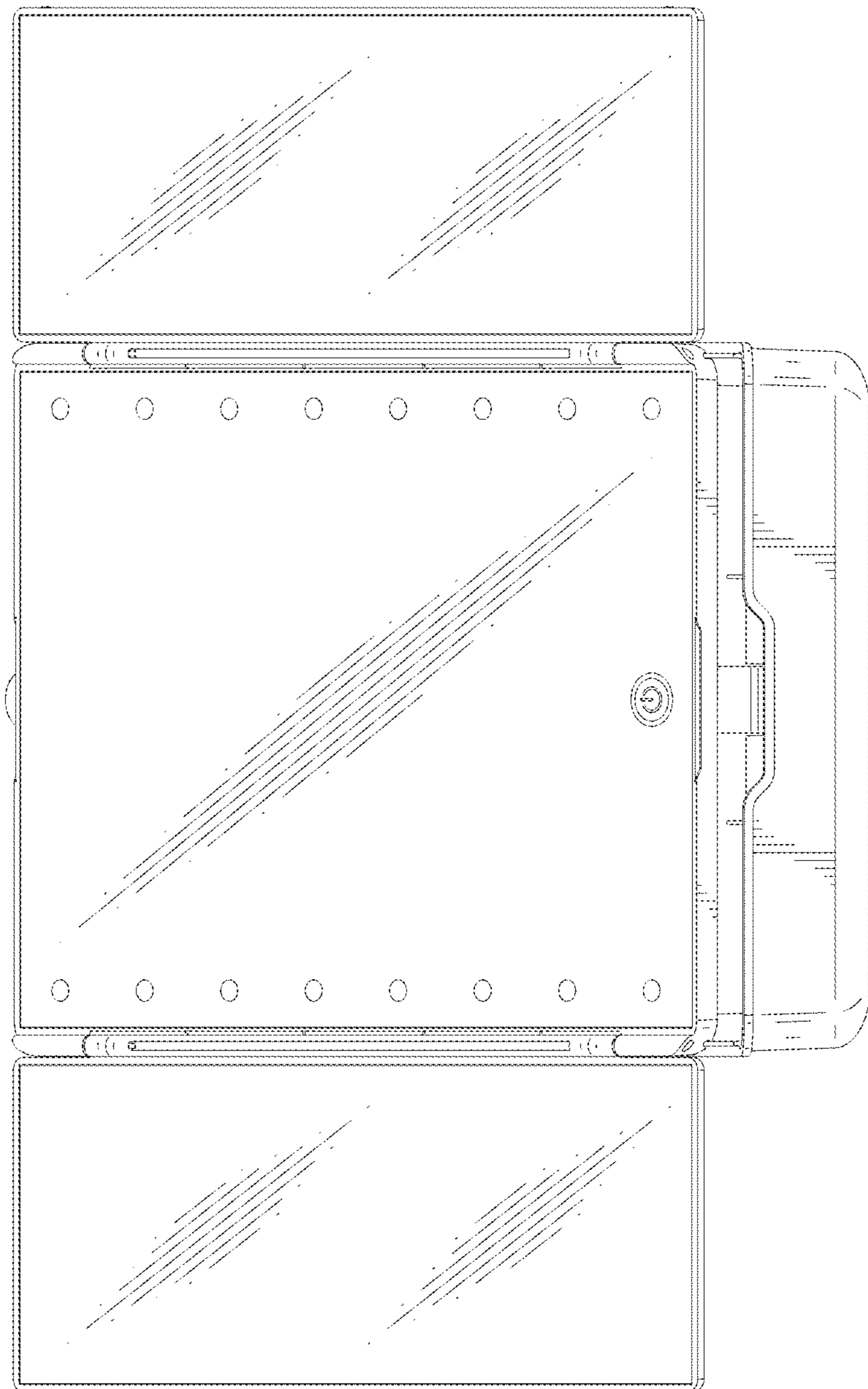


FIG.3

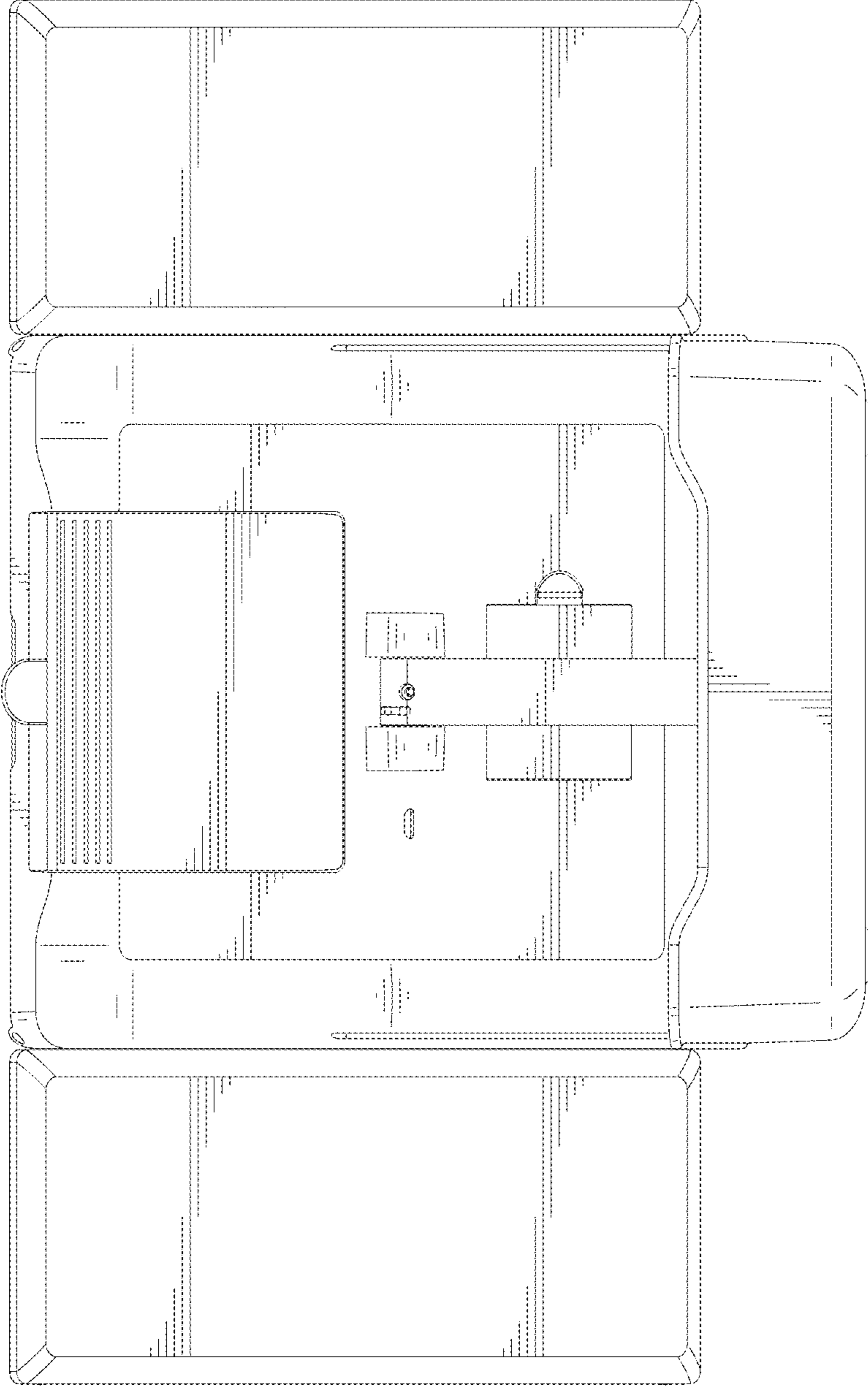


FIG.4

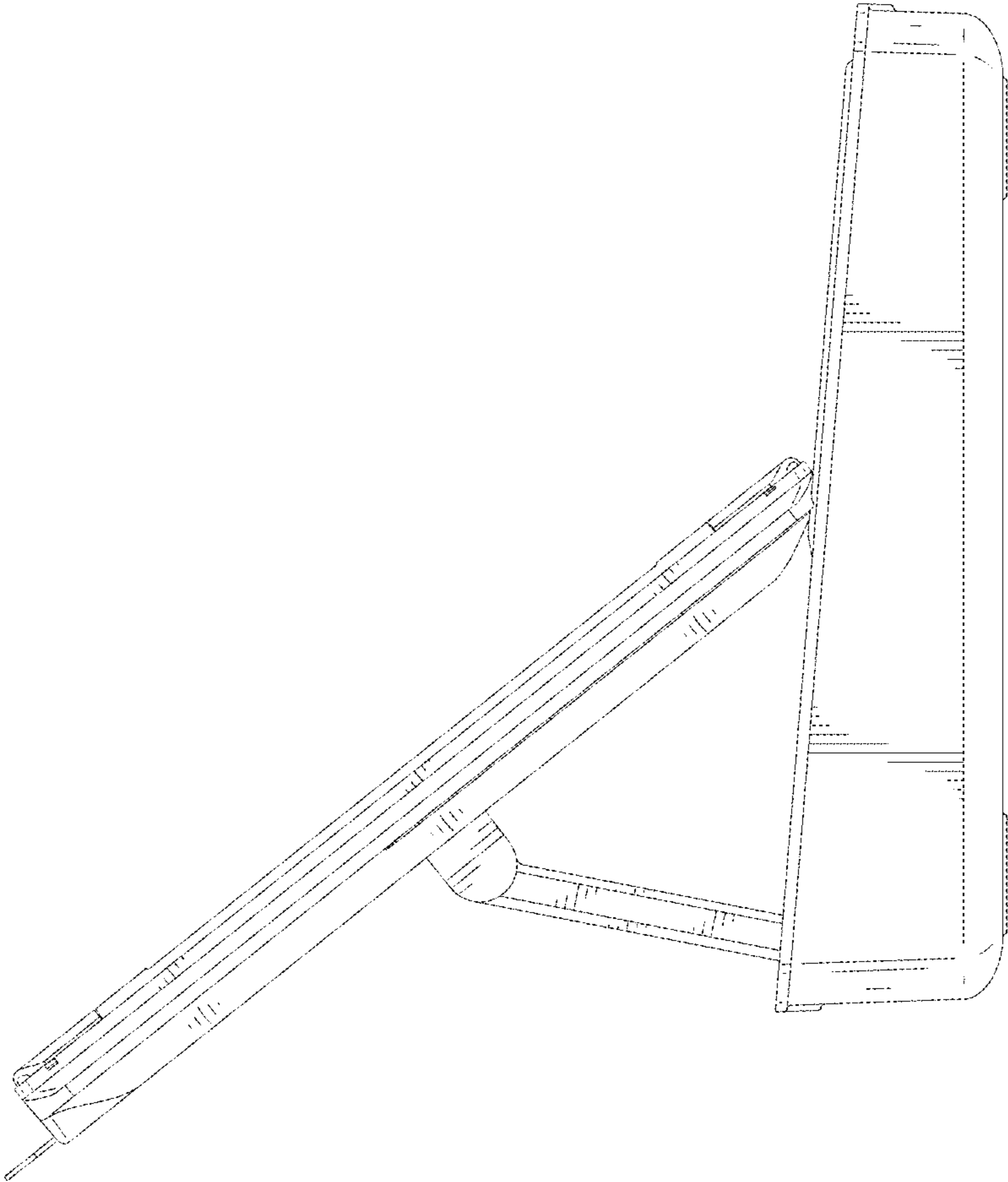


FIG.5

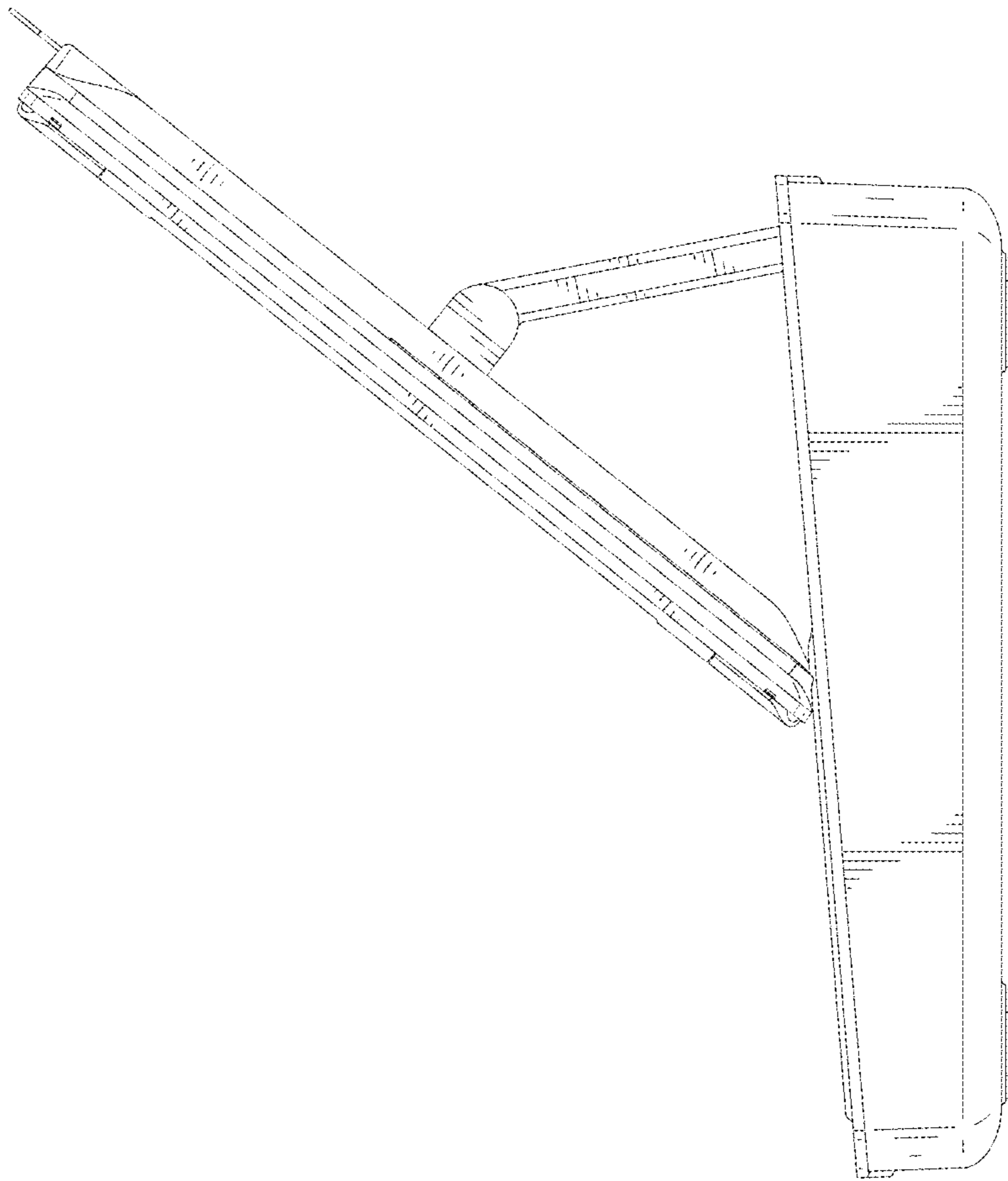


FIG.6

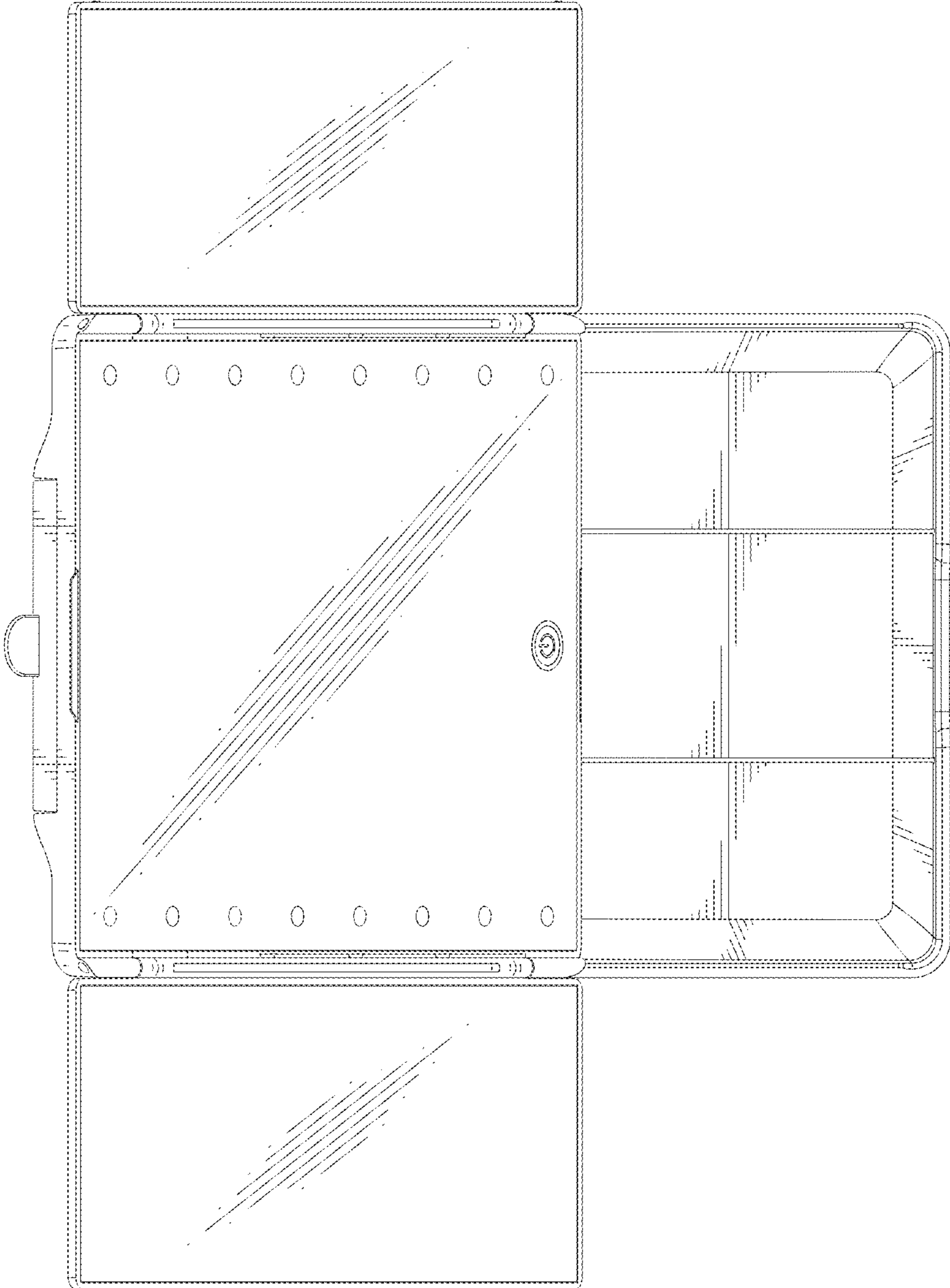


FIG.7

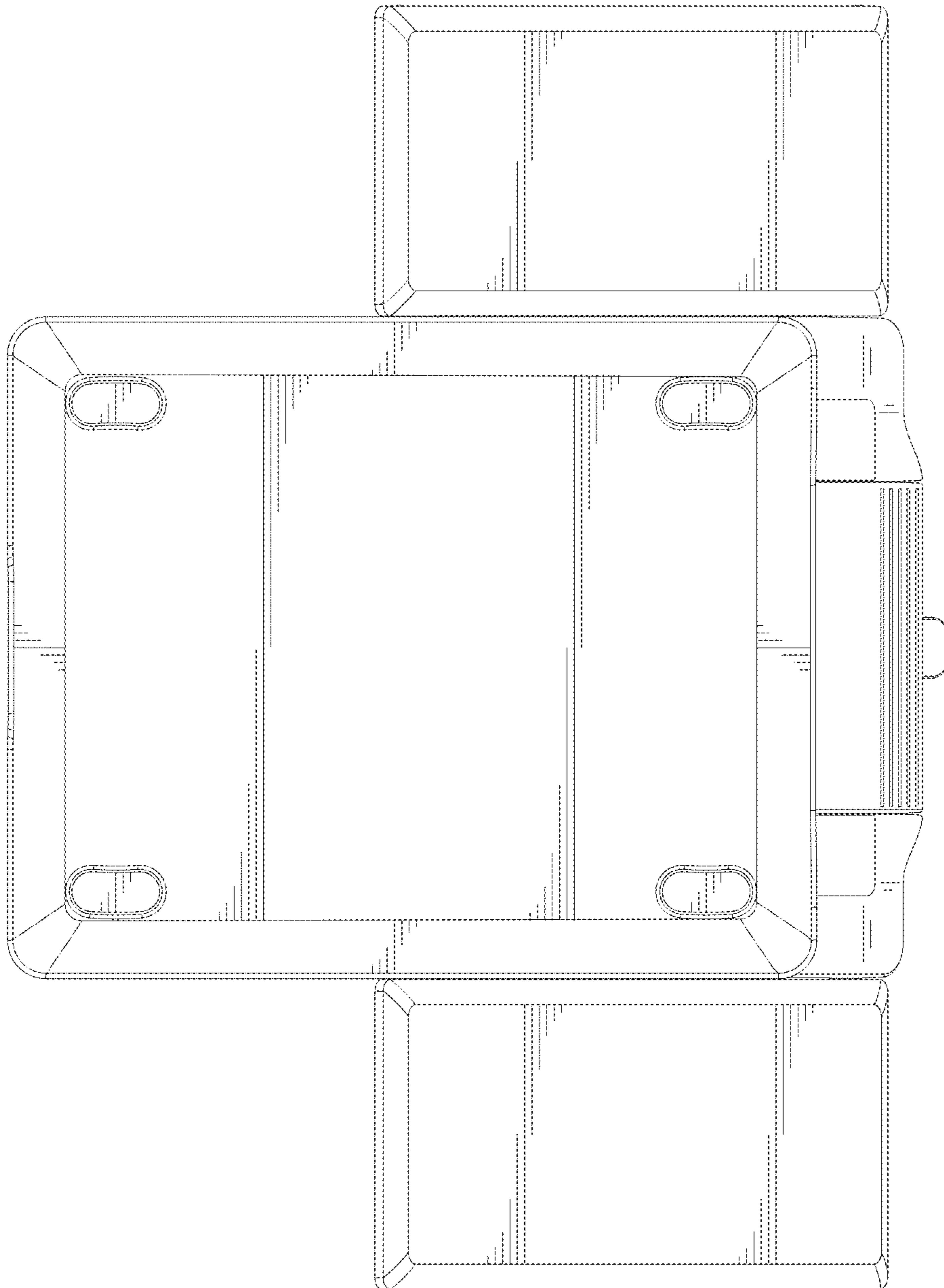


FIG.8