



US00D859010S

(12) **United States Design Patent** (10) **Patent No.:** **US D859,010 S**
Burch (45) **Date of Patent:** **** Sep. 10, 2019**

(54) **DISPLAY HOLDER**
 (71) Applicant: **Johnny Burch**, Thornton, CO (US)
 (72) Inventor: **Johnny Burch**, Thornton, CO (US)
 (**) Term: **15 Years**
 (21) Appl. No.: **29/602,603**
 (22) Filed: **May 2, 2017**
 (51) **LOC (12) Cl.** **06-06**
 (52) **U.S. Cl.**
 USPC **D6/301; D6/310**
 (58) **Field of Classification Search**
 USPC D6/300-314; D12/193
 CPC A47G 1/065
 See application file for complete search history.

(56) **References Cited**
 U.S. PATENT DOCUMENTS

D82,601 S *	11/1930	Brownell	D6/301
4,094,085 A	6/1978	Nolan, Jr.		
D266,338 S *	9/1982	Mandel	D20/43
D271,359 S *	11/1983	Le	D6/301
5,361,521 A	11/1994	Burtch		
5,365,683 A	11/1994	Borja		
5,419,063 A	5/1995	Lane		
D373,027 S	8/1996	Hulback et al.		
5,651,202 A	7/1997	Hewitt		
5,666,749 A	9/1997	Waters		
D394,160 S *	5/1998	Yarbrough	D6/300

5,960,573 A	10/1999	Wong		
D418,309 S *	1/2000	Kuebel	D6/301
D421,682 S *	3/2000	Rowan	D6/301
D461,393 S *	8/2002	Aubert Capella	D6/300
D573,356 S *	7/2008	Zasloff	D6/301
RE40,522 E *	9/2008	Capella	D6/300
D686,827 S *	7/2013	Lee	D6/301
D787,202 S *	5/2017	Martin	D6/310
D824,307 S *	7/2018	Spencer	D12/193
2002/0069567 A1	6/2002	Marino		
2006/0150464 A1	7/2006	Lindsey		
2017/0035222 A1*	2/2017	Burch	A47G 1/065

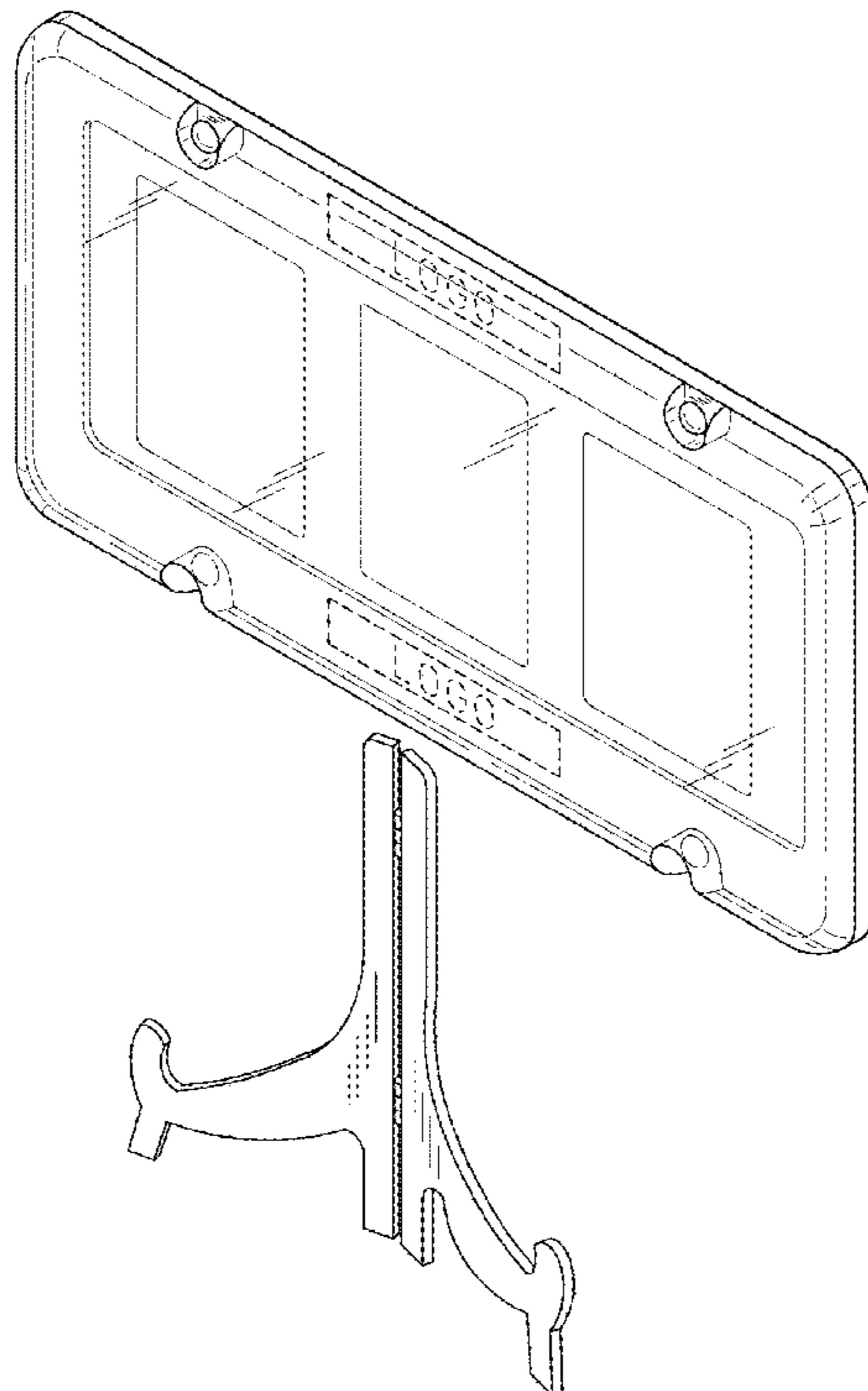
* cited by examiner
Primary Examiner — Deanna L Pratt

(57) **CLAIM**
 The ornamental design for a display holder, as shown and described.

DESCRIPTION

FIG. 1 is a front view of a display holder showing my new design;
 FIG. 2 is a rear view of the display holder;
 FIG. 3 is a left side view of the display holder, a right side view being a mirror image thereof;
 FIG. 4 is a top view of the display holder;
 FIG. 5 is a bottom view of the display holder; and,
 FIG. 6 is a top front side perspective view of the display holder.
 The broken lines in the drawings illustrate portions of the display holder that form no part of the claimed design.

1 Claim, 5 Drawing Sheets



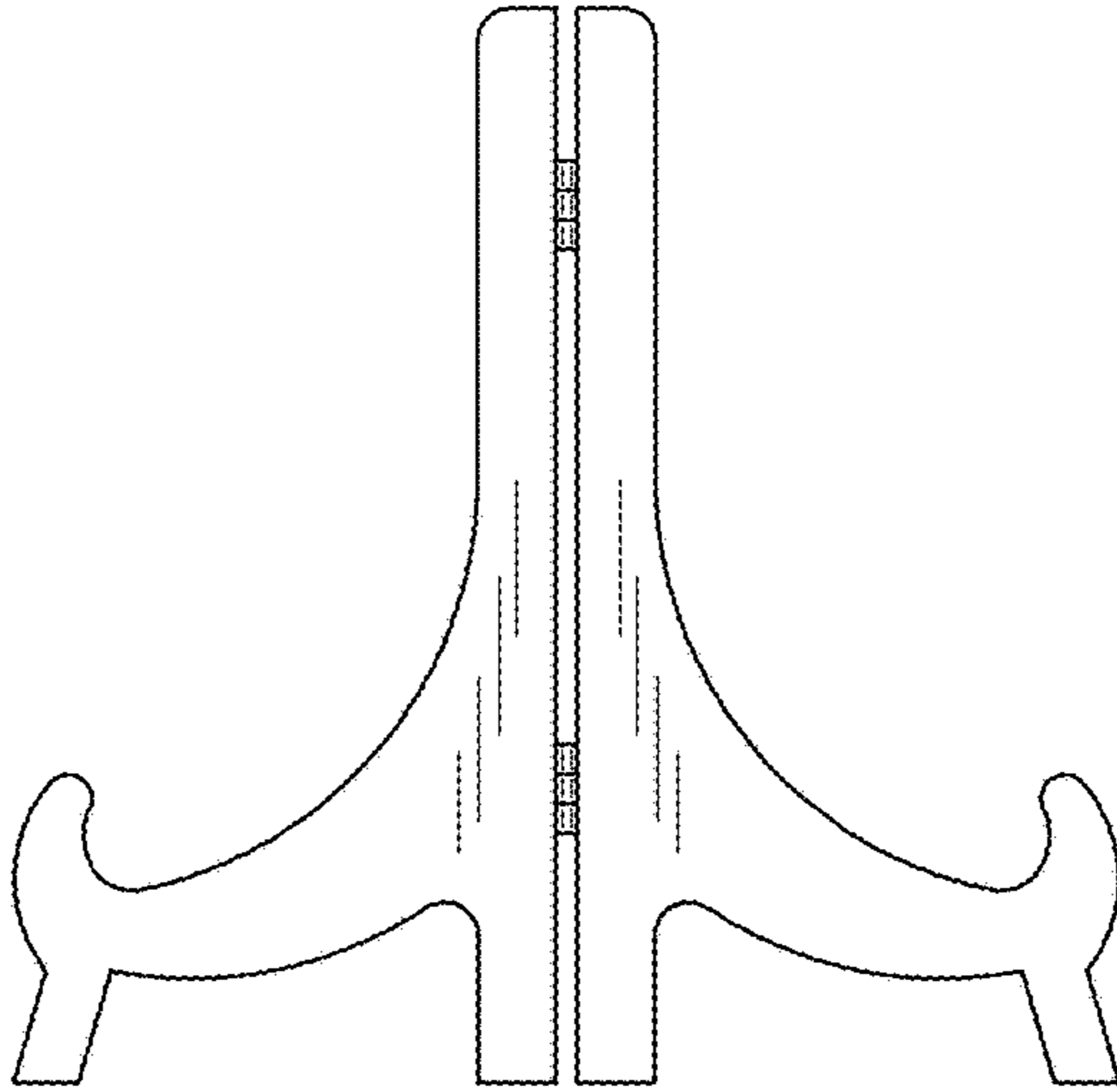
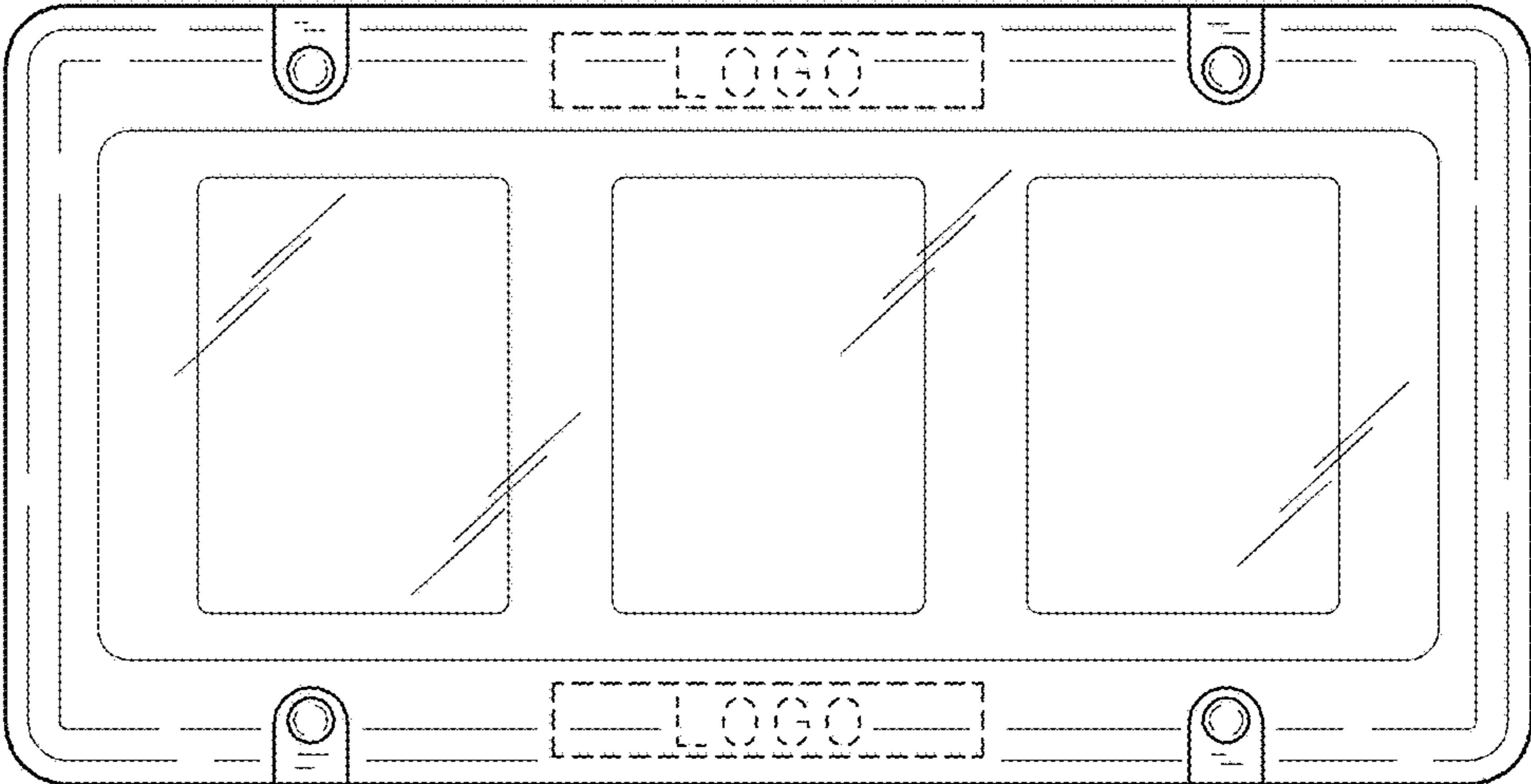


FIG. 1

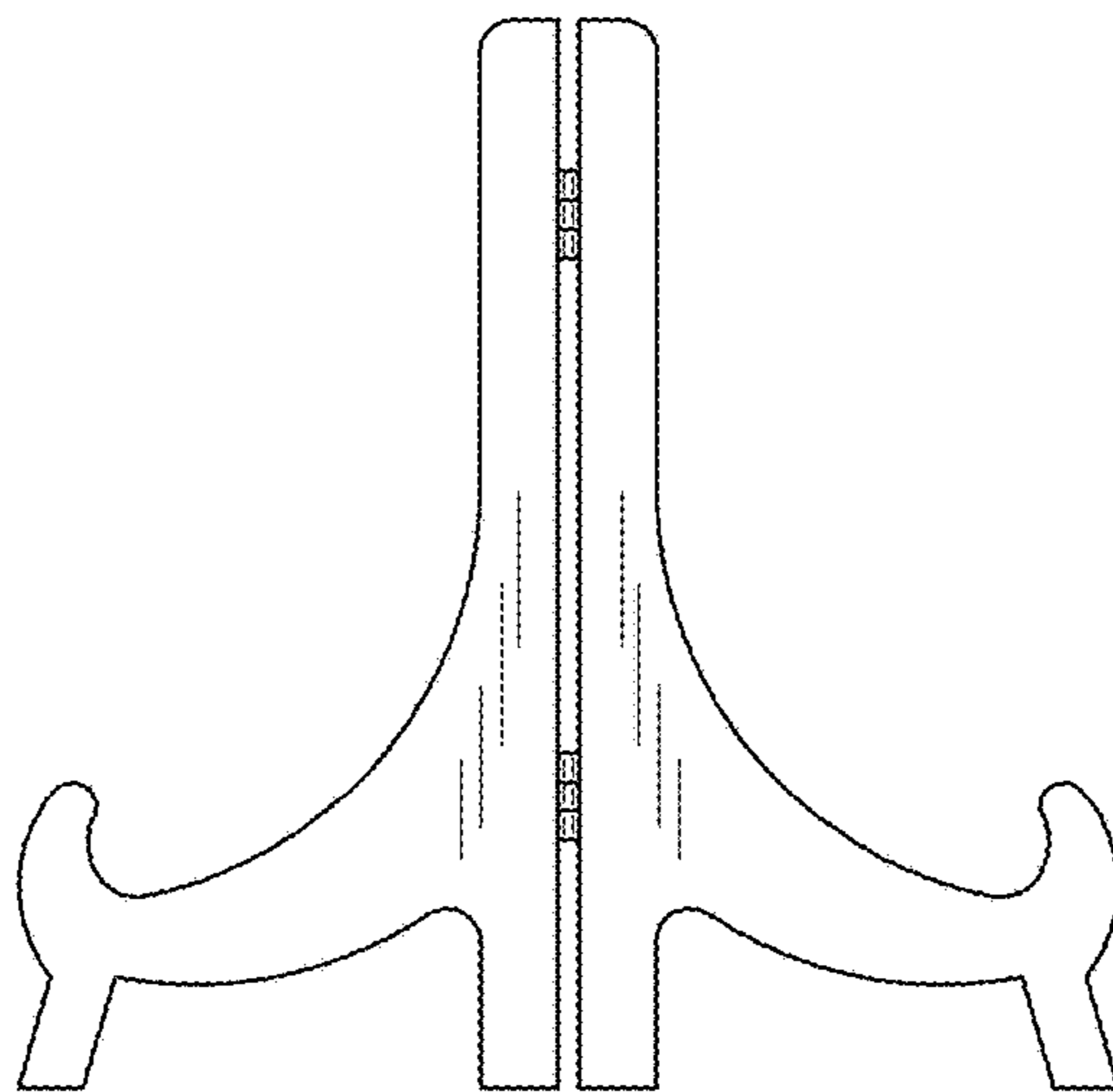
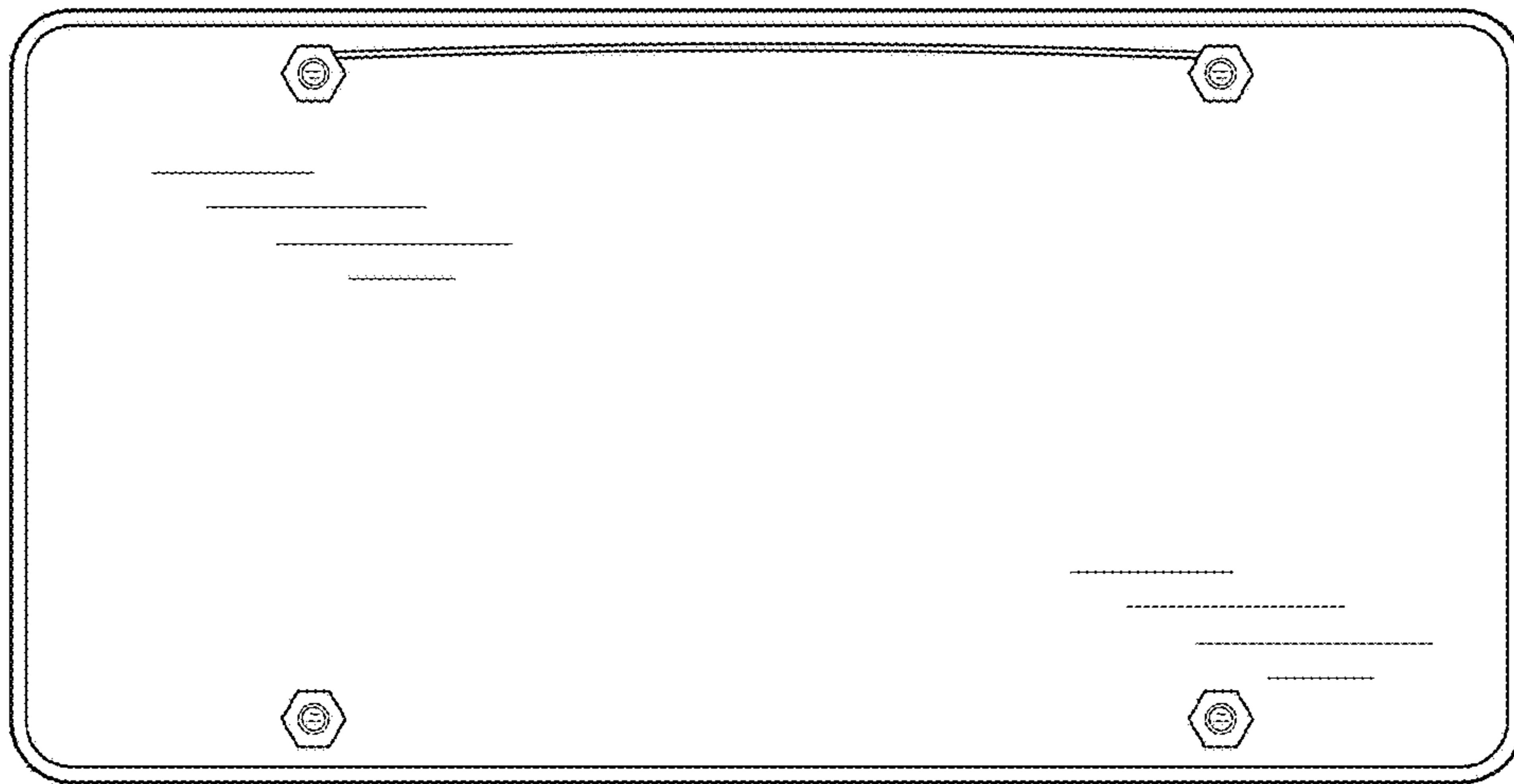
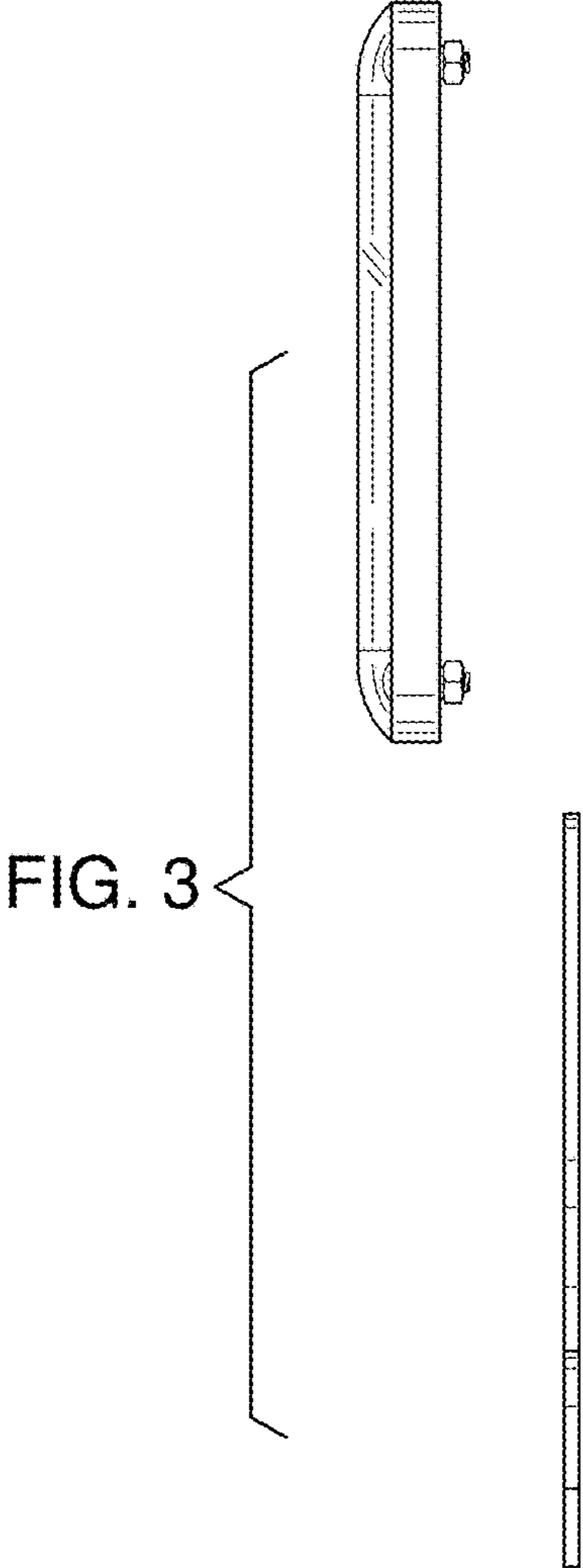


FIG. 2



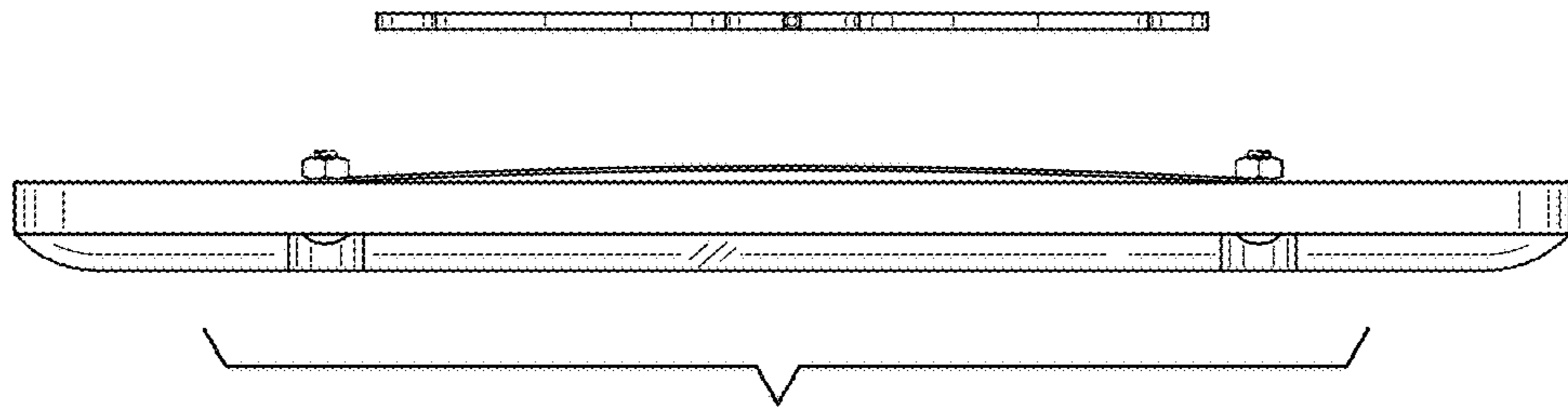


FIG. 4

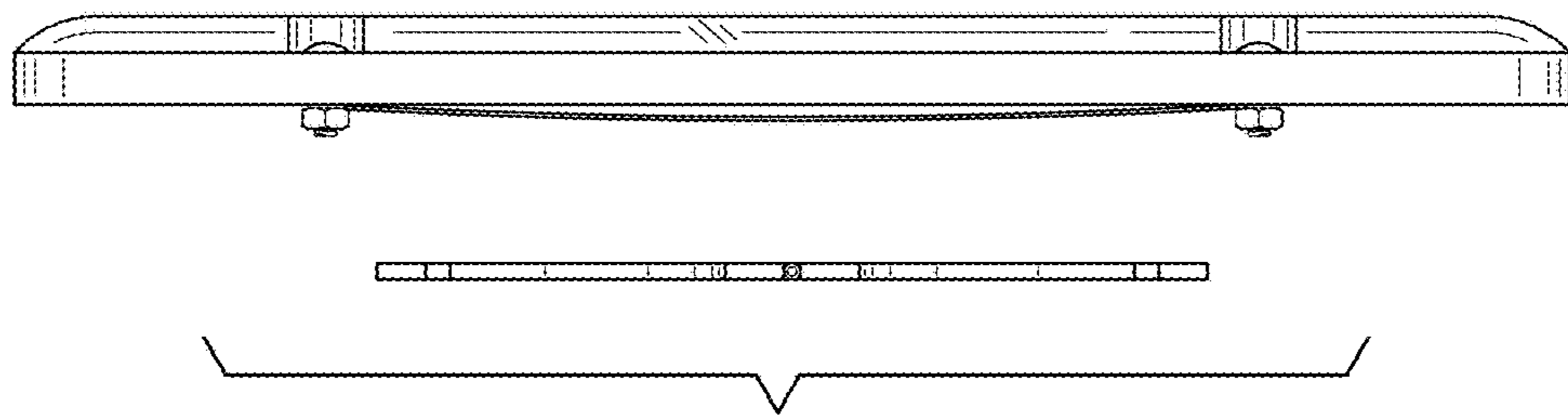


FIG. 5

