



US00D859009S

(12) **United States Design Patent**  
**Gough et al.**

(10) **Patent No.:** **US D859,009 S**

(45) **Date of Patent:** **\*\* Sep. 10, 2019**

(54) **EASEL**

(71) Applicant: **Imagination International, Inc.**,  
Eugene, OR (US)

(72) Inventors: **Nigel David Gough**, Wynnum (AU);  
**Matthew Michael Kale**, Eugene, OR  
(US)

(73) Assignee: **Imagination International, Inc.**,  
Eugene, OR (US)

(\*\*) Term: **15 Years**

(21) Appl. No.: **29/633,918**

(22) Filed: **Jan. 17, 2018**

(51) **LOC (12) Cl.** ..... **06-01**

(52) **U.S. Cl.**  
USPC ..... **D6/300**

(58) **Field of Classification Search**  
USPC ..... D6/300-314  
CPC .... G09F 1/12; G09F 7/18; A47G 1/06; A47G  
1/0638; A47G 1/14; A47G 1/141; A47B  
97/04; A47B 97/08  
See application file for complete search history.

(56) **References Cited**

**U.S. PATENT DOCUMENTS**

- 4,378,102 A \* 3/1983 Portis, Jr. .... A47B 23/06  
248/165
- D278,496 S \* 4/1985 Hausman ..... D6/310
- D360,777 S \* 8/1995 Glebe ..... D6/310
- D361,217 S \* 8/1995 Glebe ..... D6/310
- D410,910 S \* 6/1999 Martell ..... D14/457
- D441,562 S \* 5/2001 Tapscott ..... D19/91
- 6,889,952 B2 \* 5/2005 Cook ..... A47B 97/08  
248/448
- D517,328 S \* 3/2006 Thrall ..... D6/300

(Continued)

*Primary Examiner* — Deanna L Pratt

(74) *Attorney, Agent, or Firm* — Dascenzo Intellectual  
Property Law, P.C.

(57) **CLAIM**

The ornamental design for an easel, as shown and described.

**DESCRIPTION**

FIG. 1 is a front isometric view of an easel showing the new design.

FIG. 2 is a front elevation view of the easel of FIG. 1.

FIG. 3 is a rear elevation view of the easel of FIG. 1.

FIG. 4 is a left elevation view of the easel of FIG. 1.

FIG. 5 is a right elevation view of the easel of FIG. 1.

FIG. 6 is a top plan view of the easel of FIG. 1.

FIG. 7 is a bottom plan view of the easel of FIG. 1.

FIG. 8 is a rear isometric view of the easel of FIG. 1.

FIG. 9 is an unshaded front isometric view of the easel of FIG. 1.

FIG. 10 is an unshaded front elevation view of the easel of FIG. 1.

FIG. 11 is an unshaded rear elevation view of the easel of FIG. 1.

FIG. 12 is an unshaded left elevation view of the easel of FIG. 1.

FIG. 13 is an unshaded right elevation view of the easel of FIG. 1.

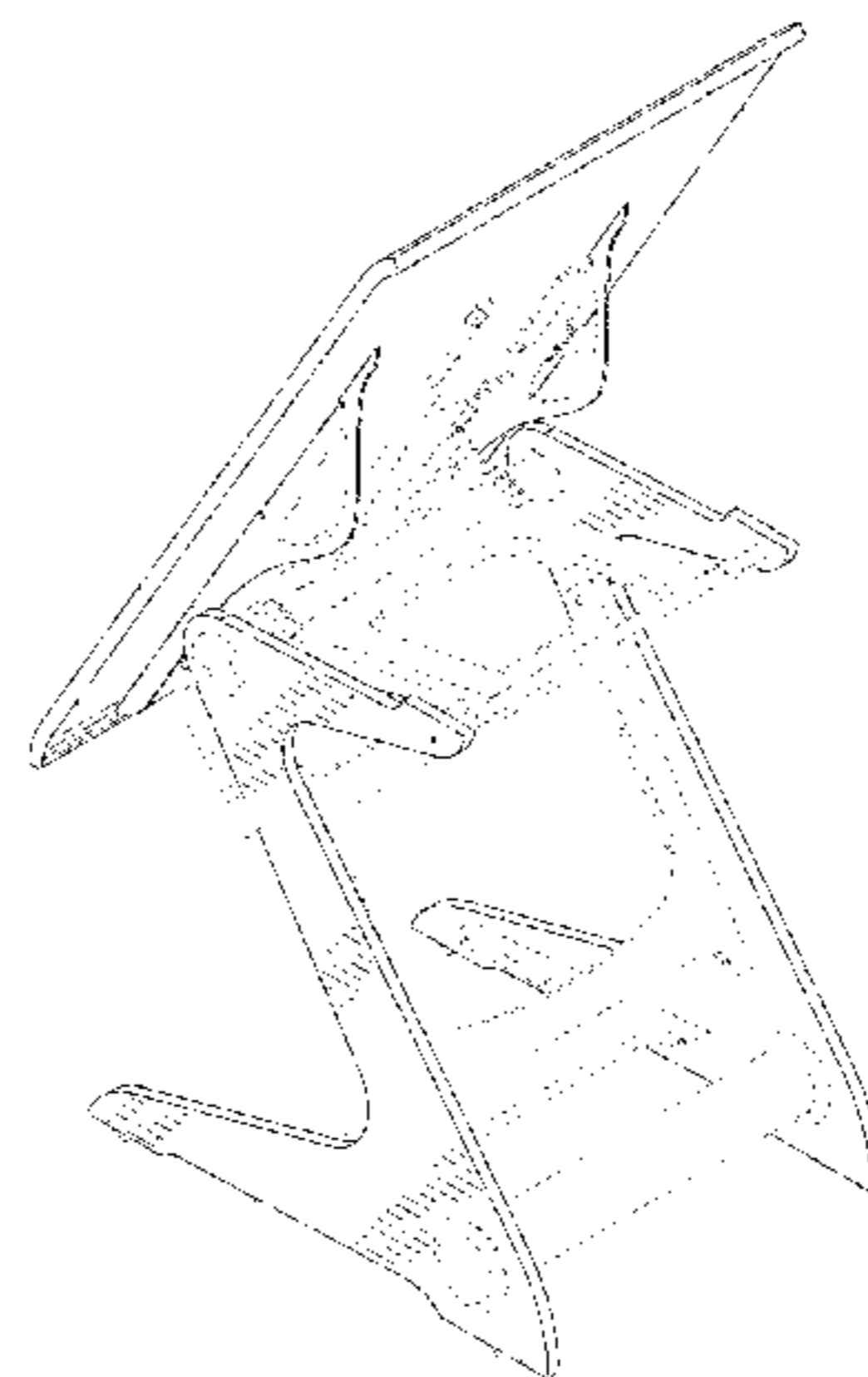
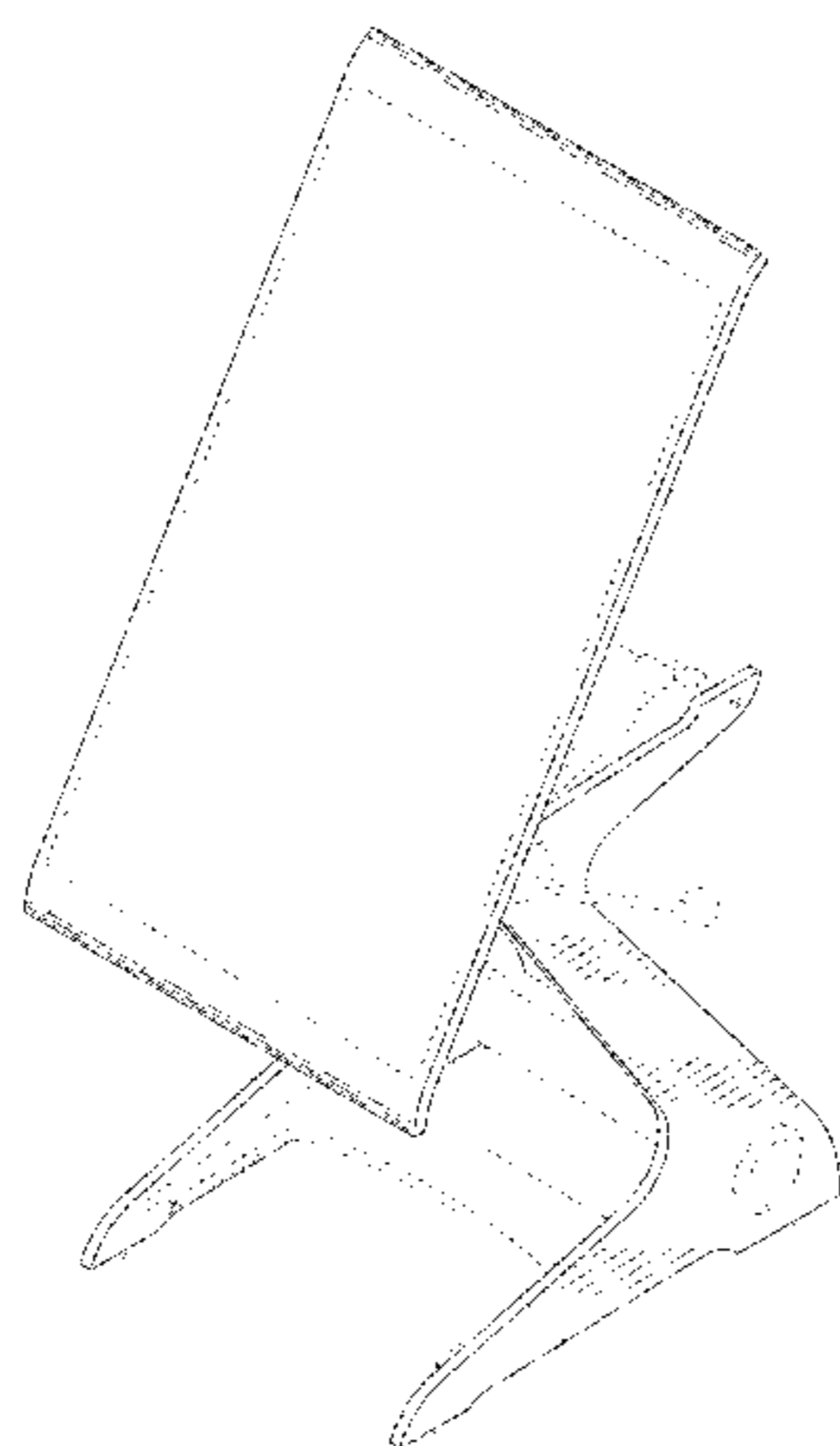
FIG. 14 is an unshaded top plan view of the easel of FIG. 1.

FIG. 15 is an unshaded bottom plan view of the easel of FIG. 1; and,

FIG. 16 is an unshaded rear isometric view of the easel of FIG. 1.

The dashed lines shown in the drawings illustrate portions of the easel that are not presently claimed and thus form no part of the presently claimed design. The shading lines shown in the drawings represent the approximate three-dimensional contour of the claimed design and are not intended to indicate surface decoration.

**1 Claim, 14 Drawing Sheets**



(56)

**References Cited**

U.S. PATENT DOCUMENTS

D517,834 S \* 3/2006 Molto Valero ..... D6/310  
D617,115 S \* 6/2010 Wheeler ..... D6/300

\* cited by examiner

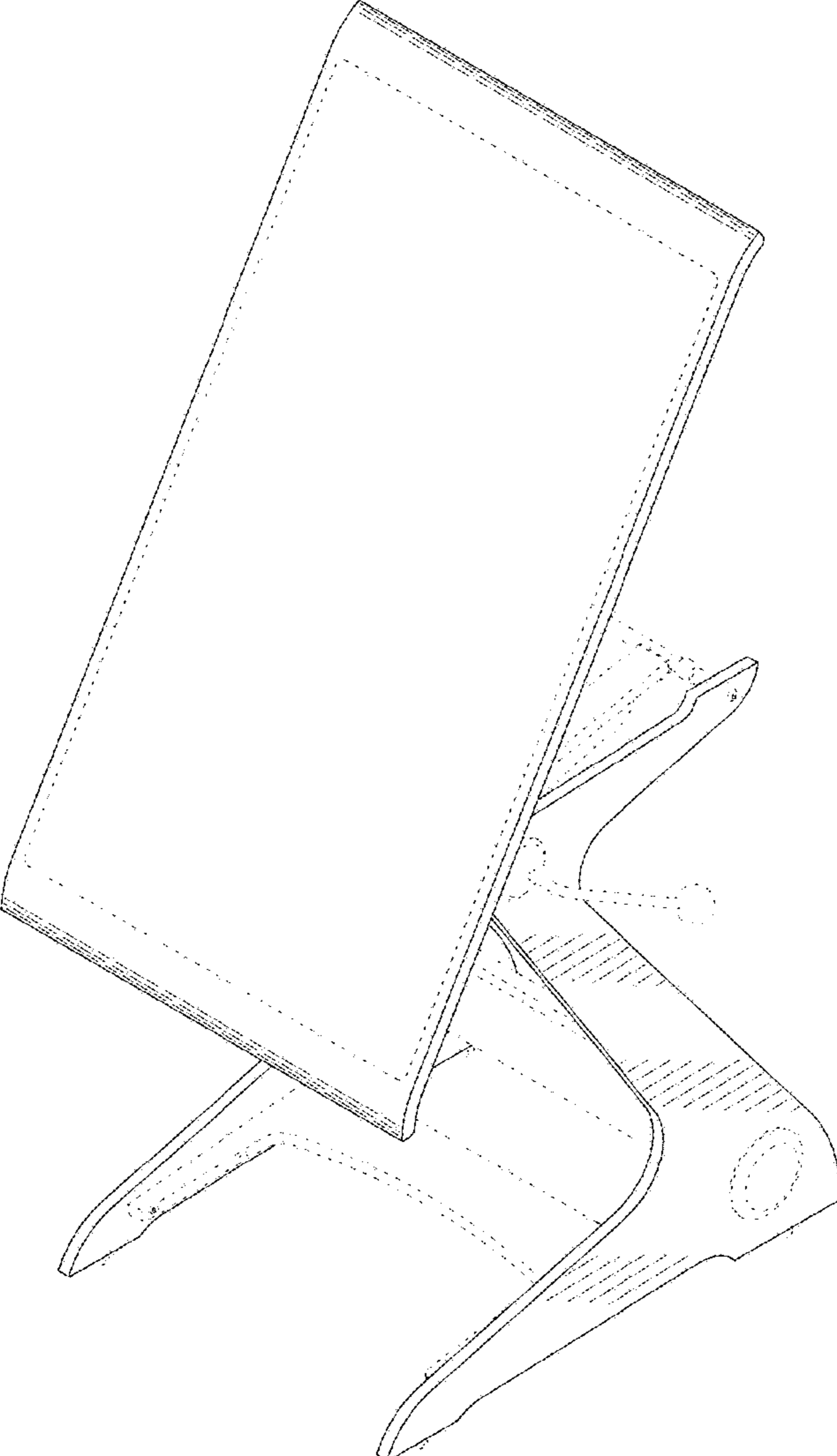


FIG. 1

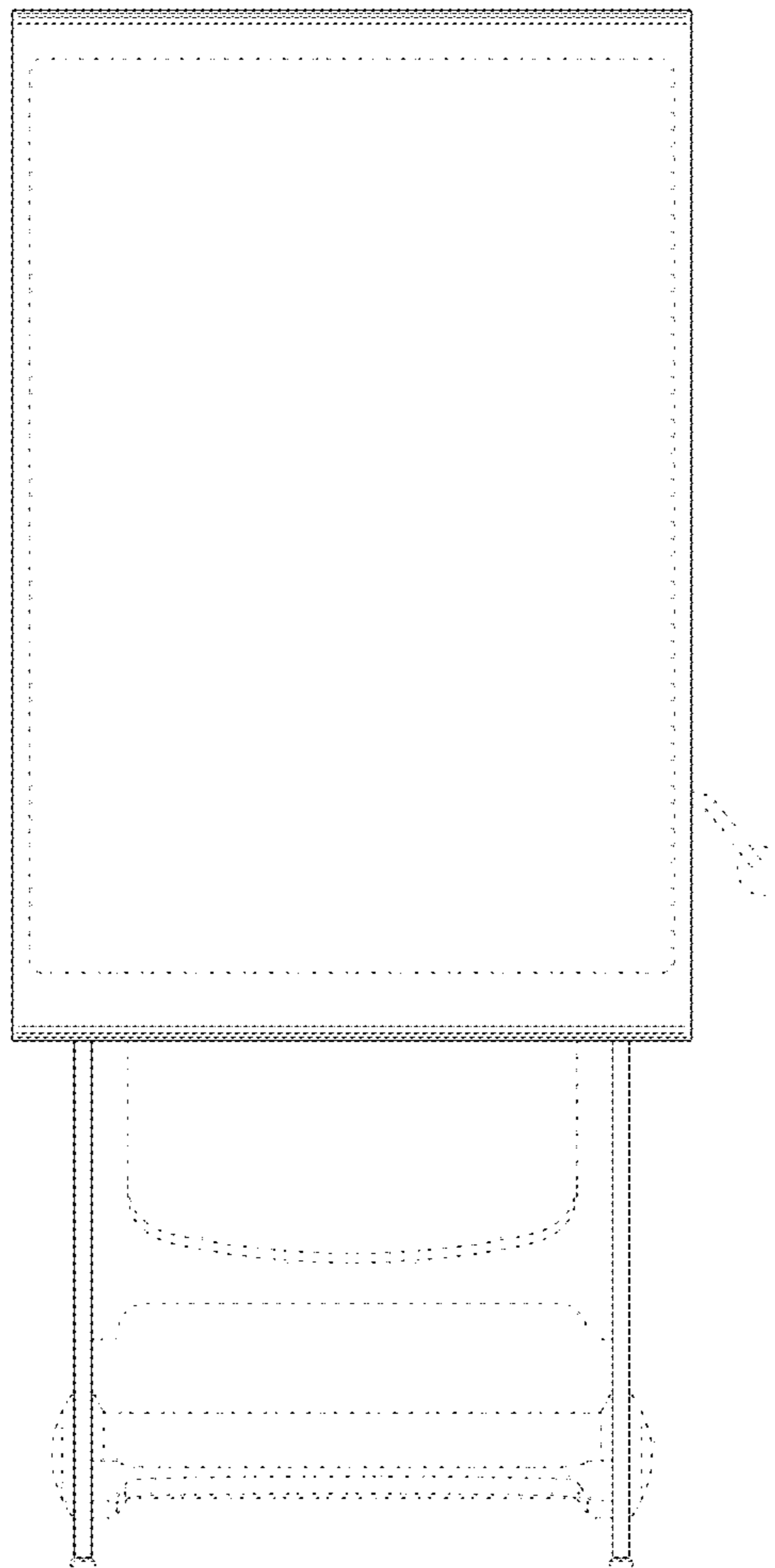


FIG. 2

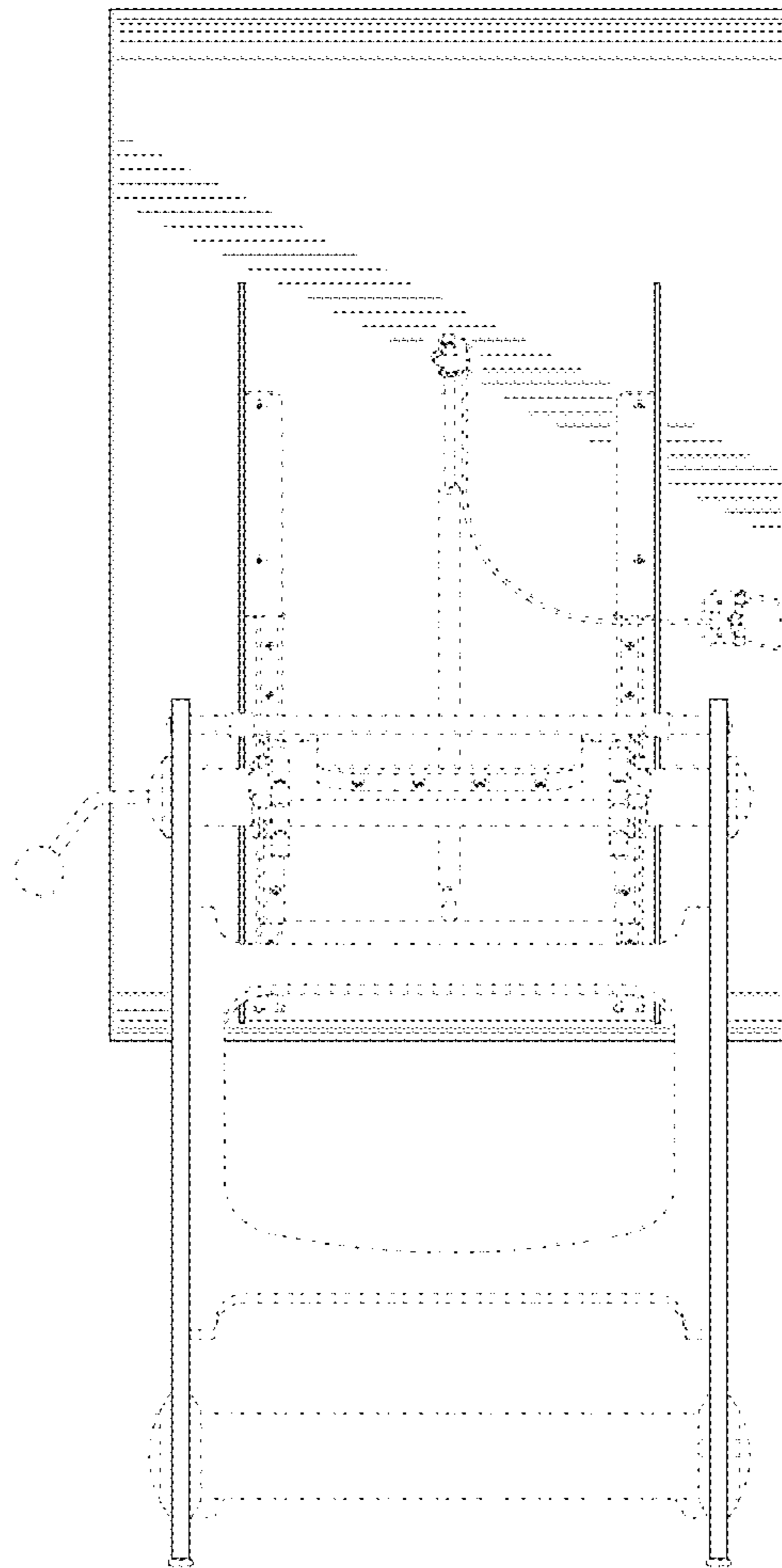


FIG. 3

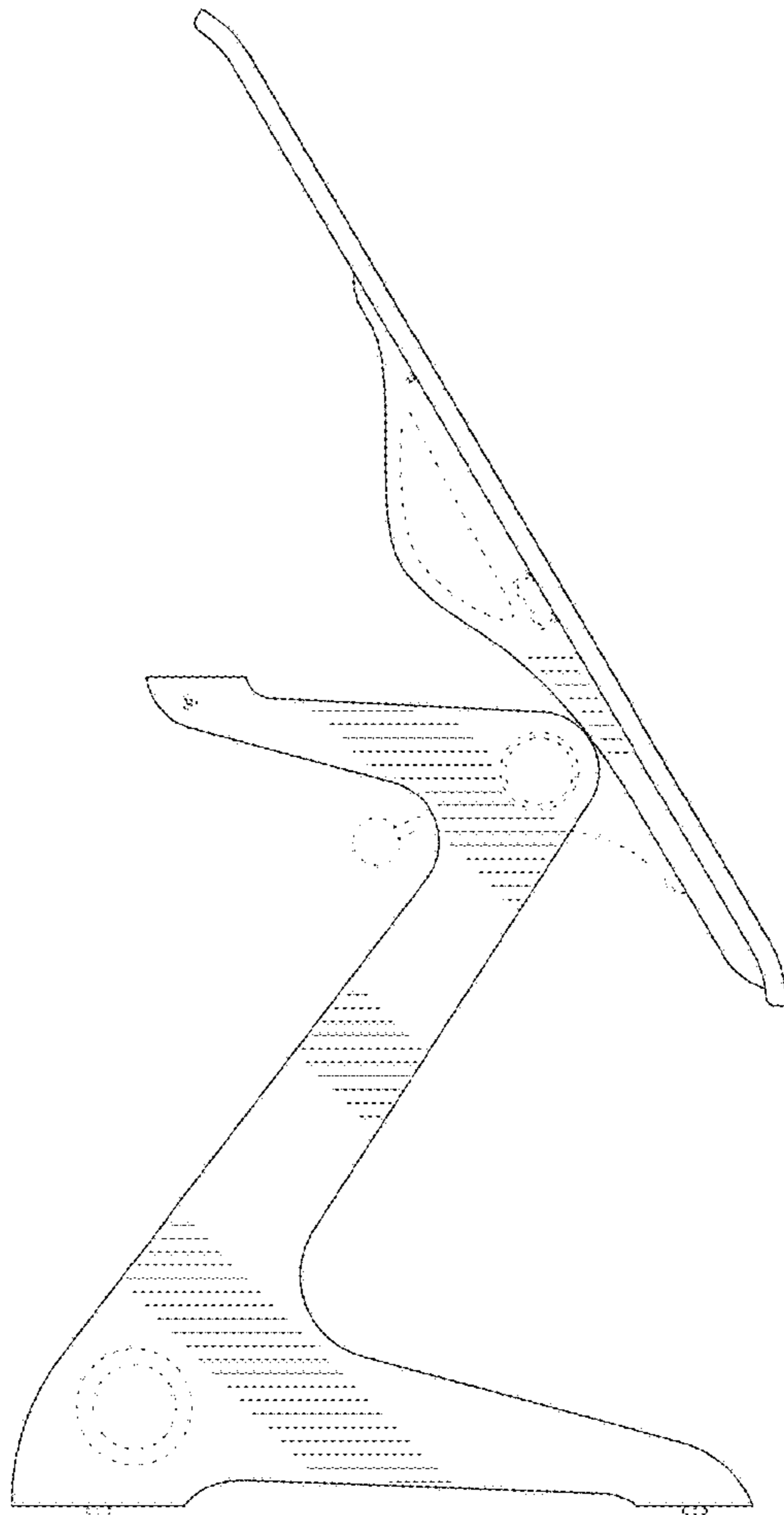


FIG. 4

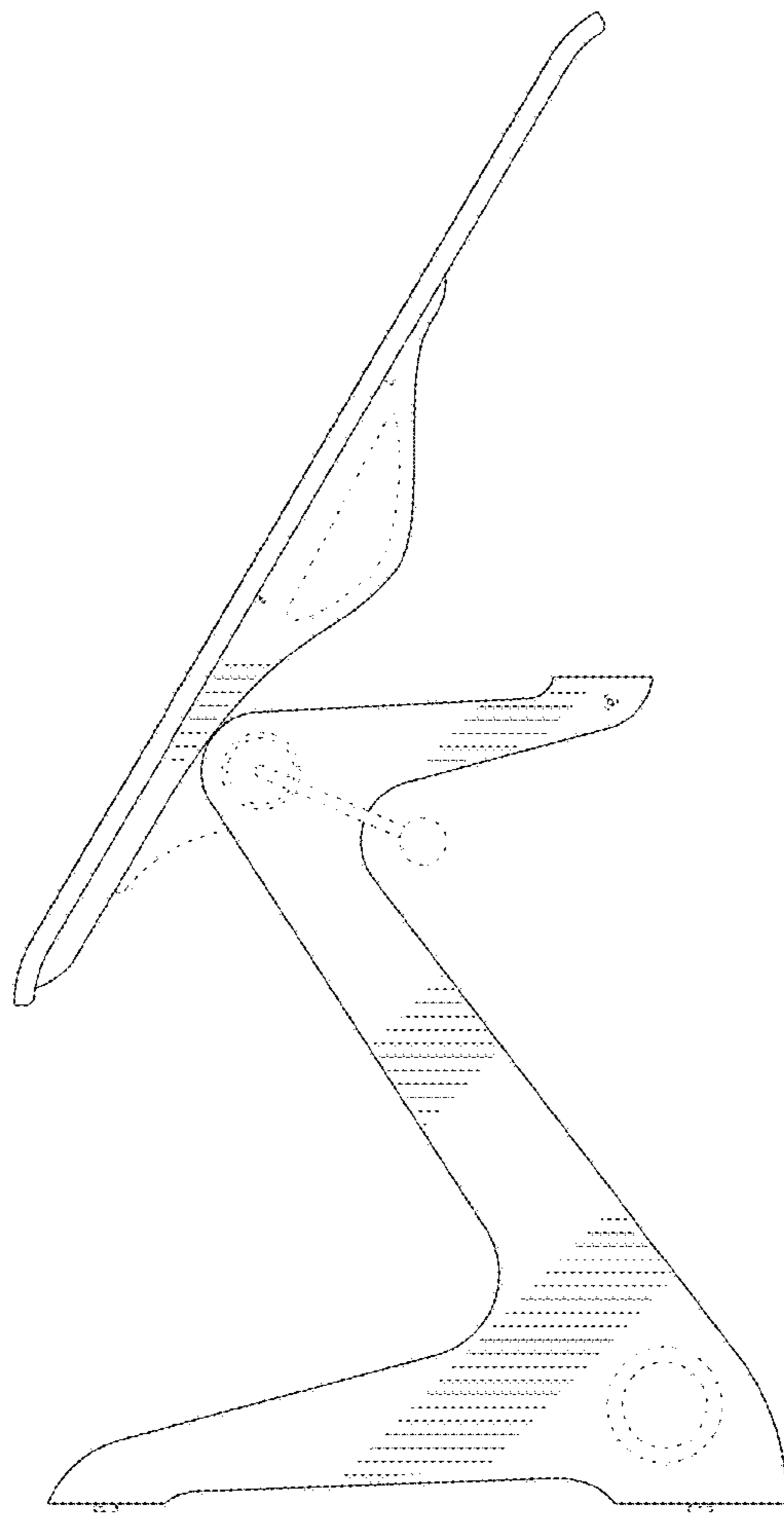


FIG. 5

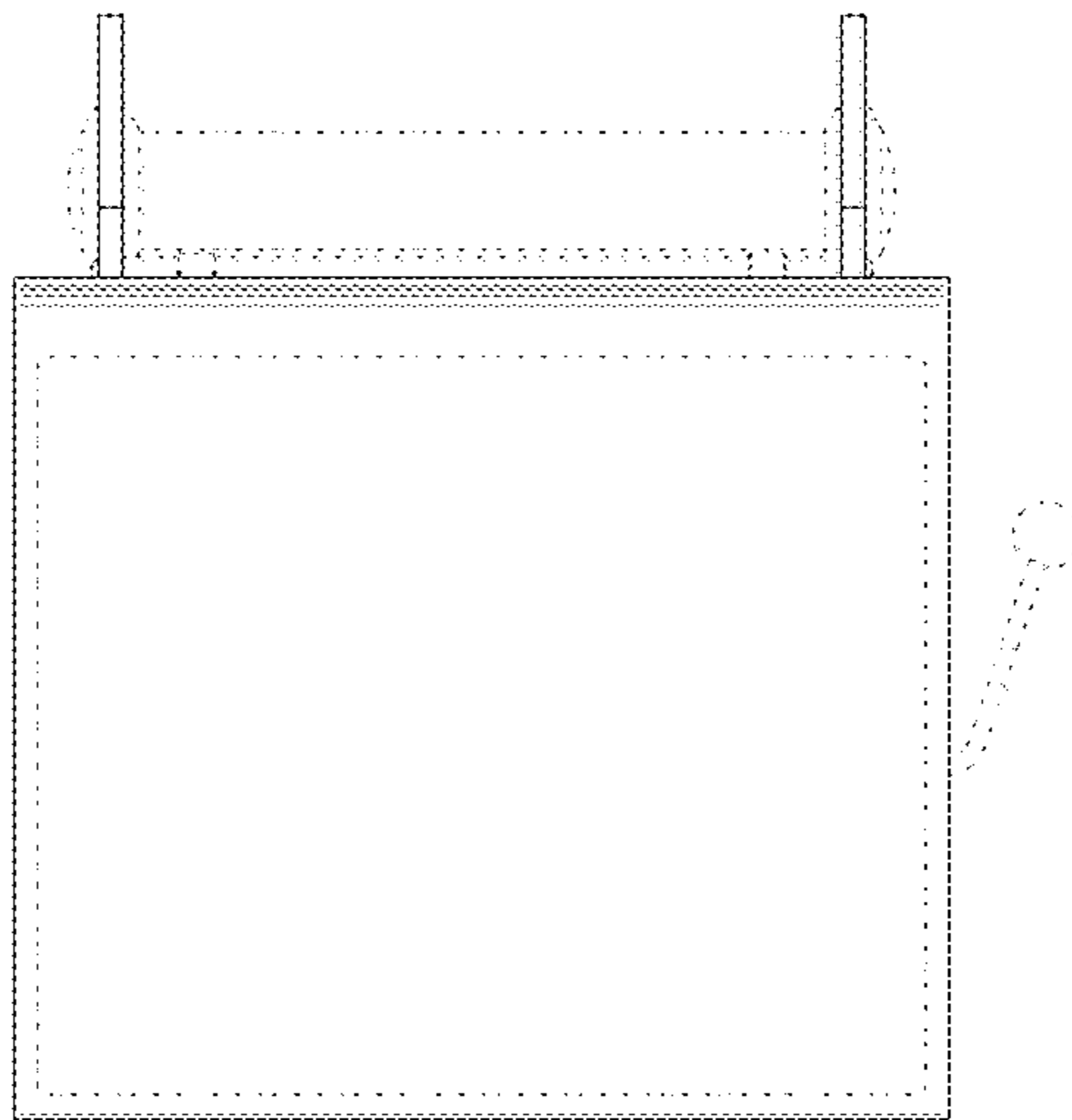


FIG. 6

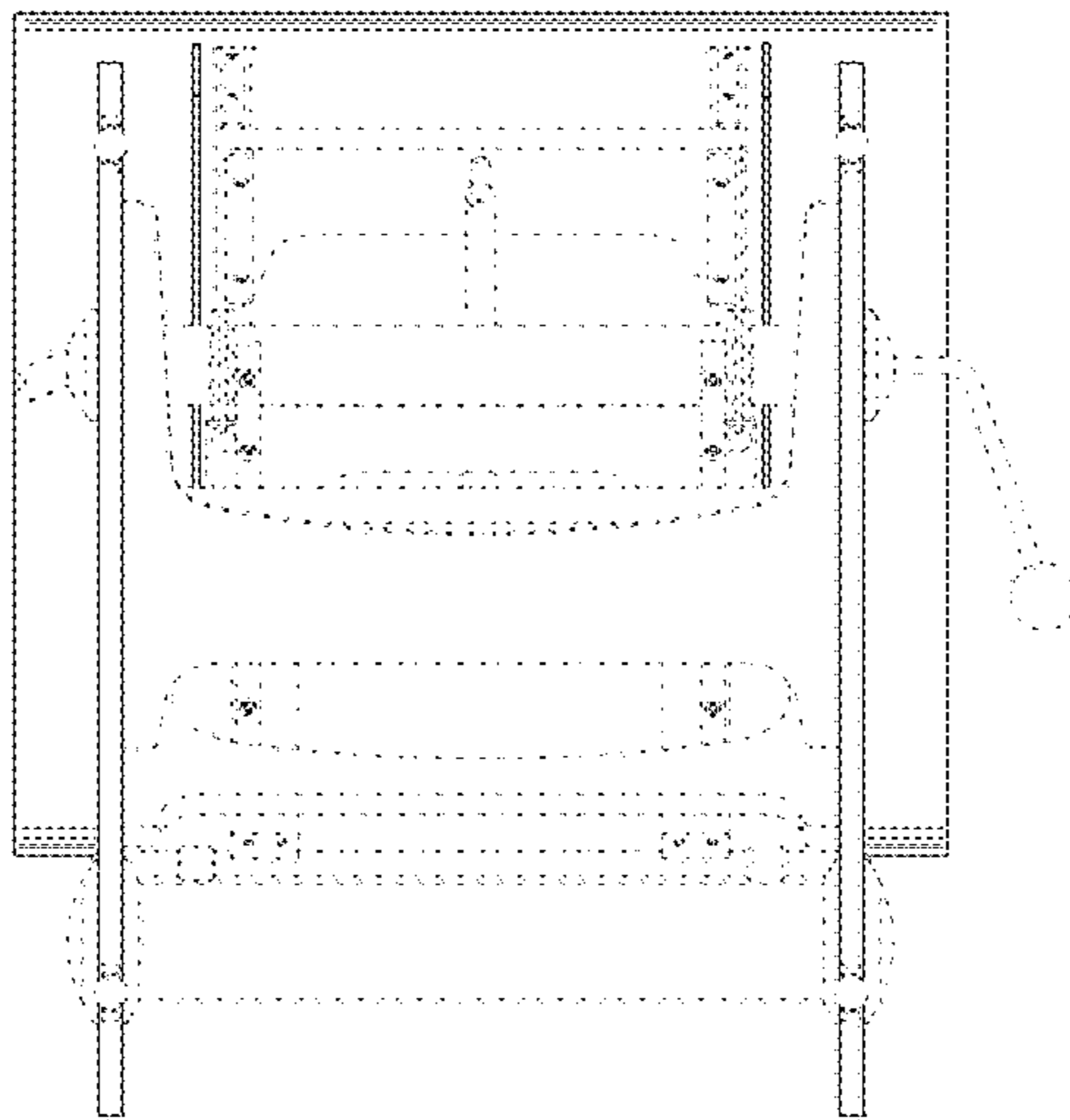


FIG. 7



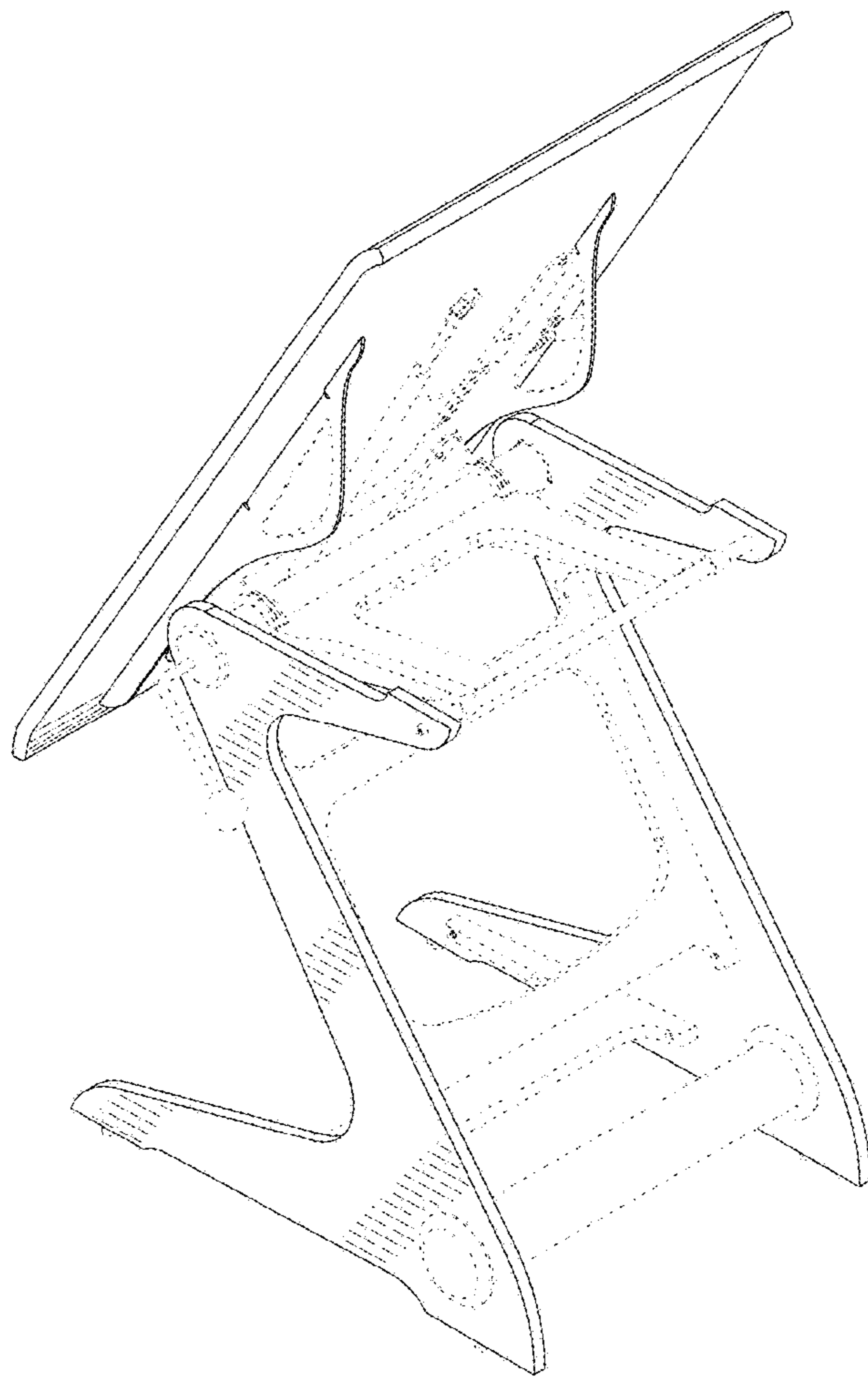


FIG. 8

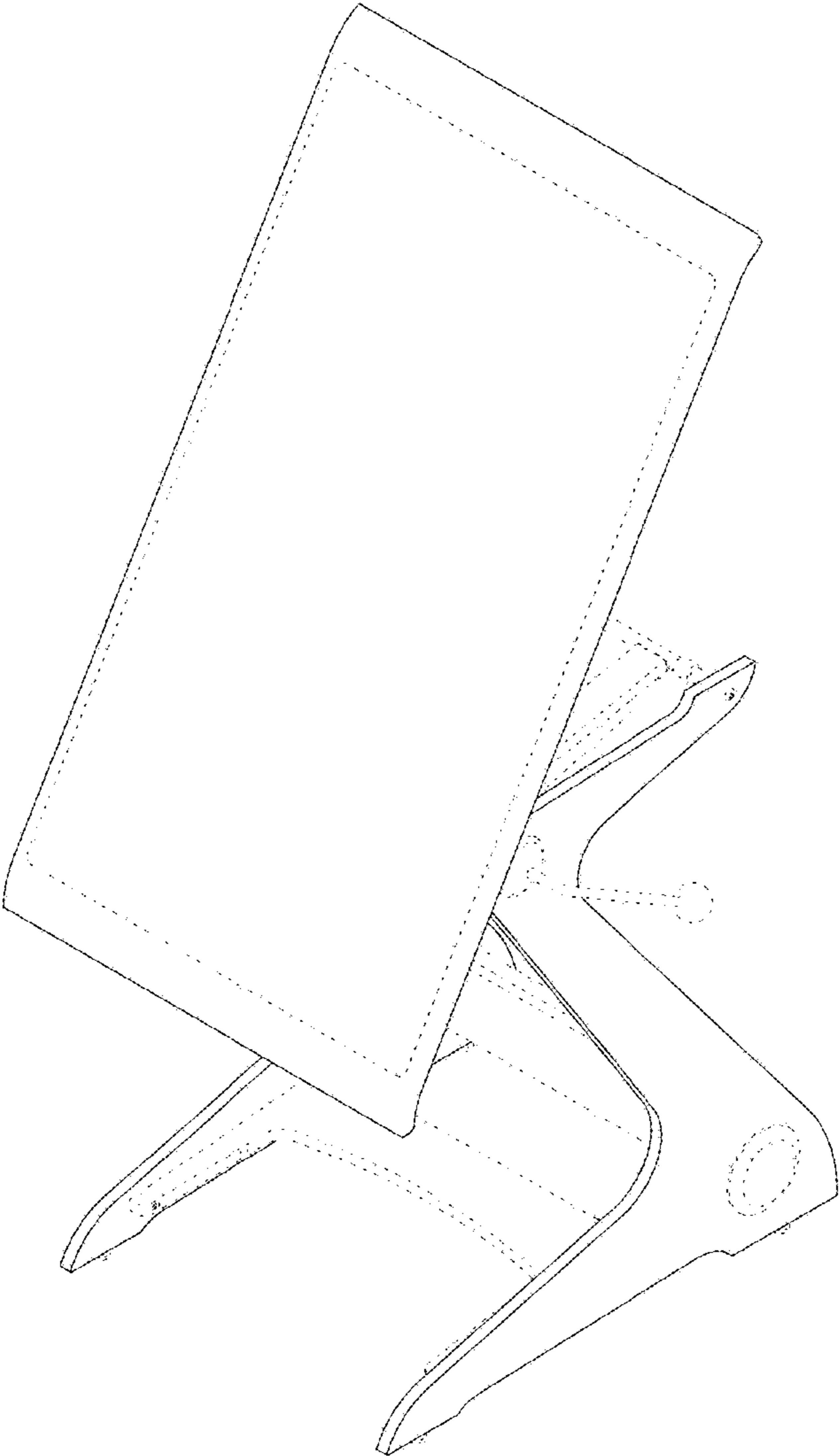


FIG. 9

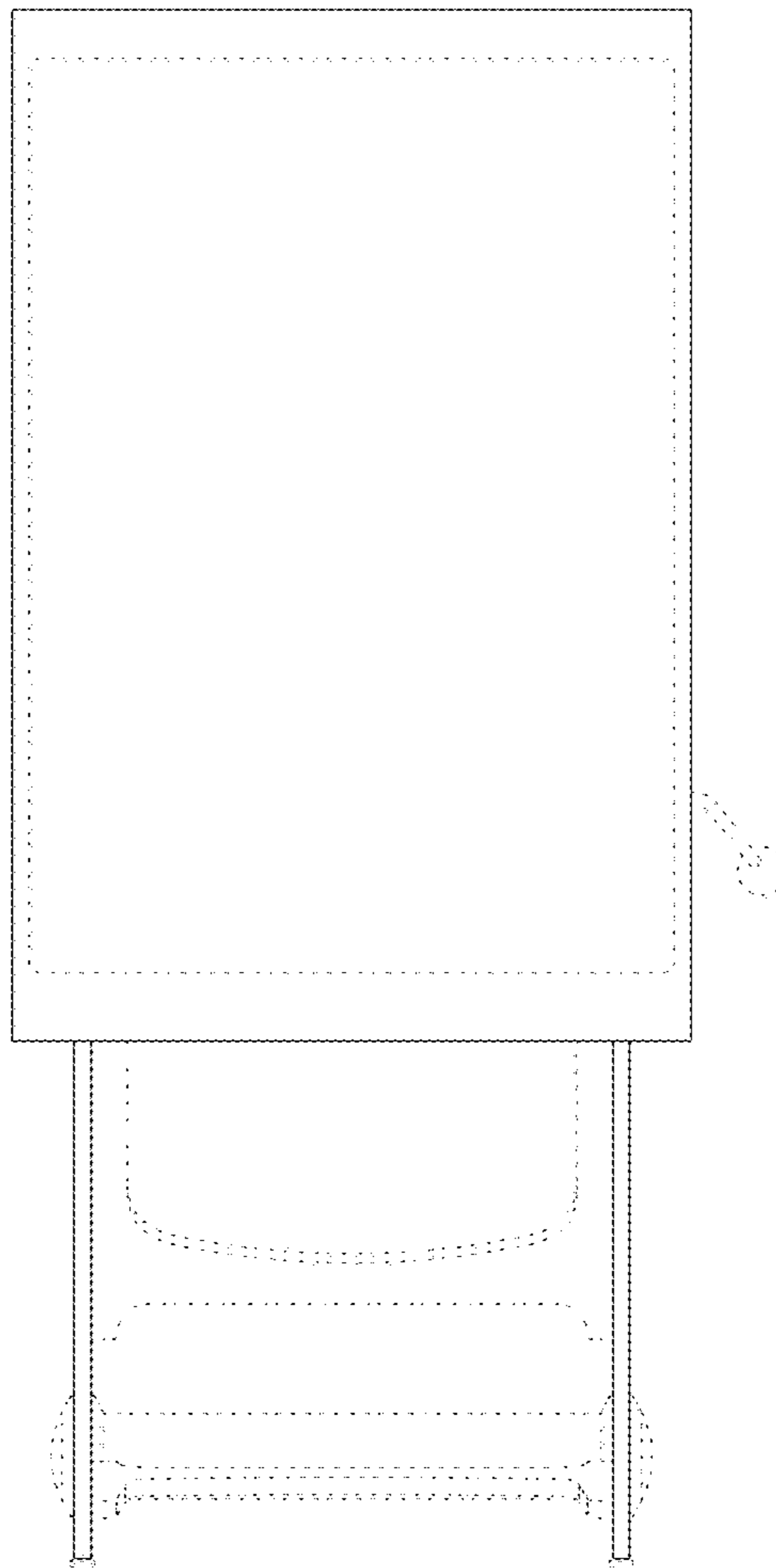


FIG. 10

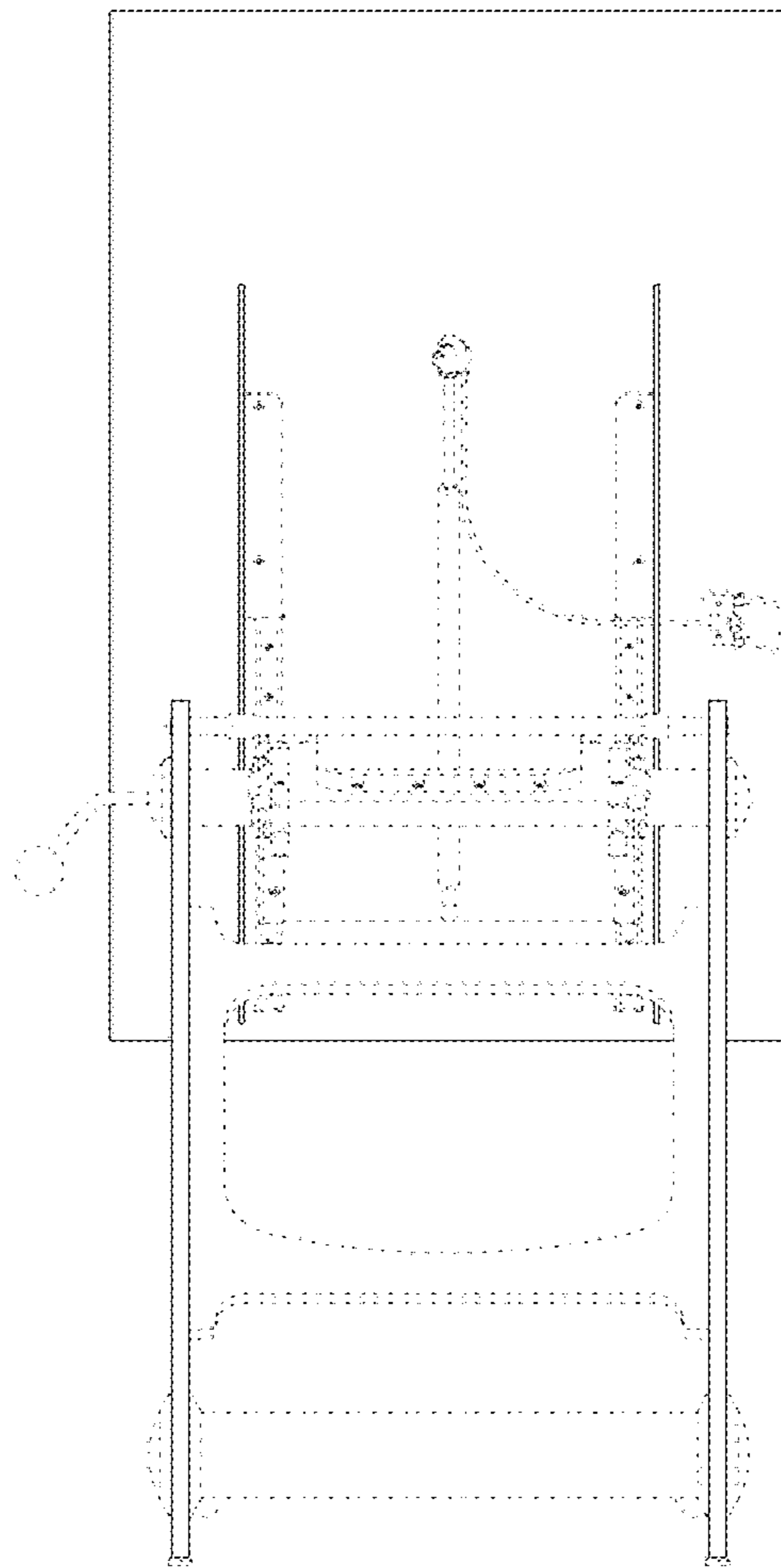


FIG. 11

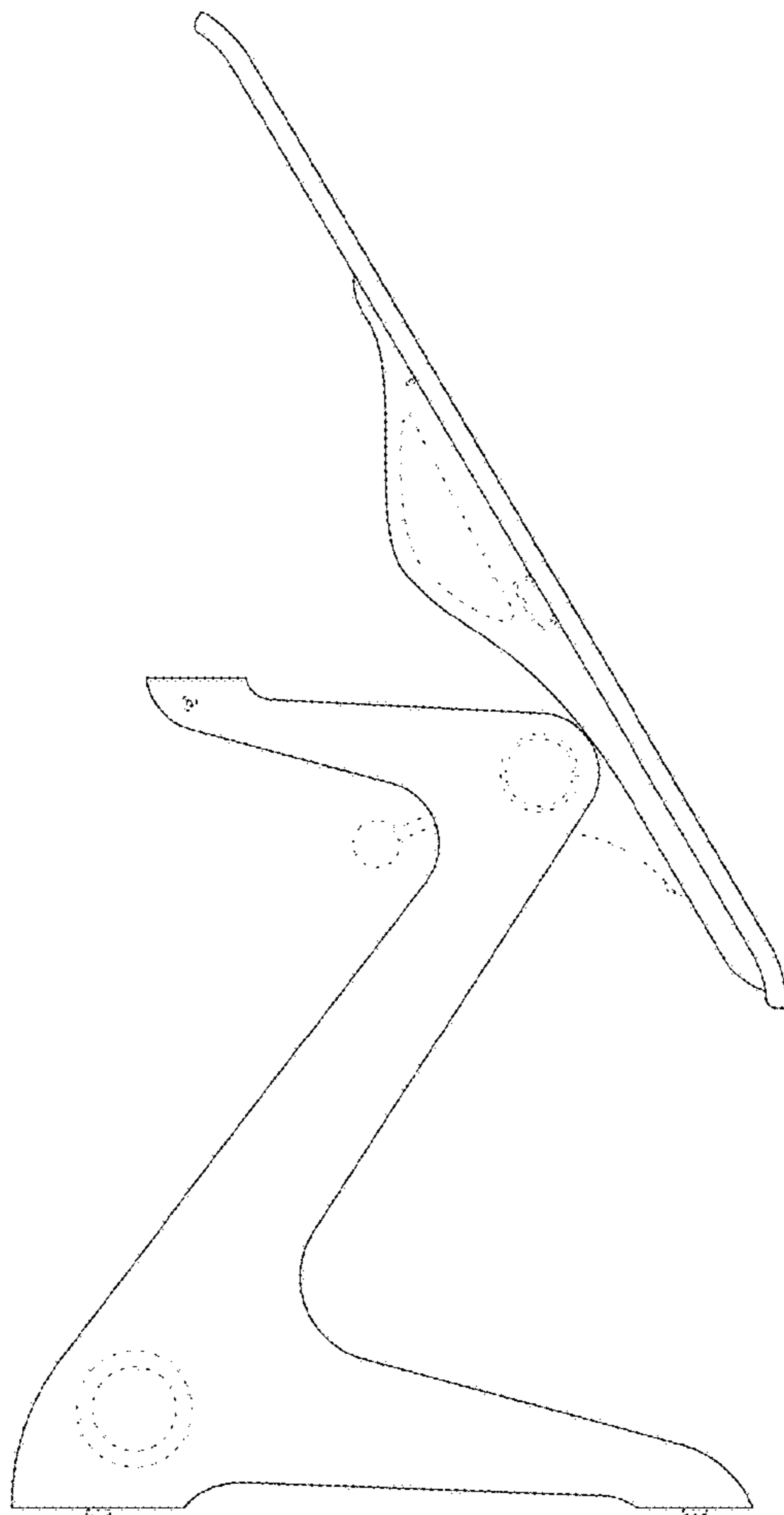


FIG. 12

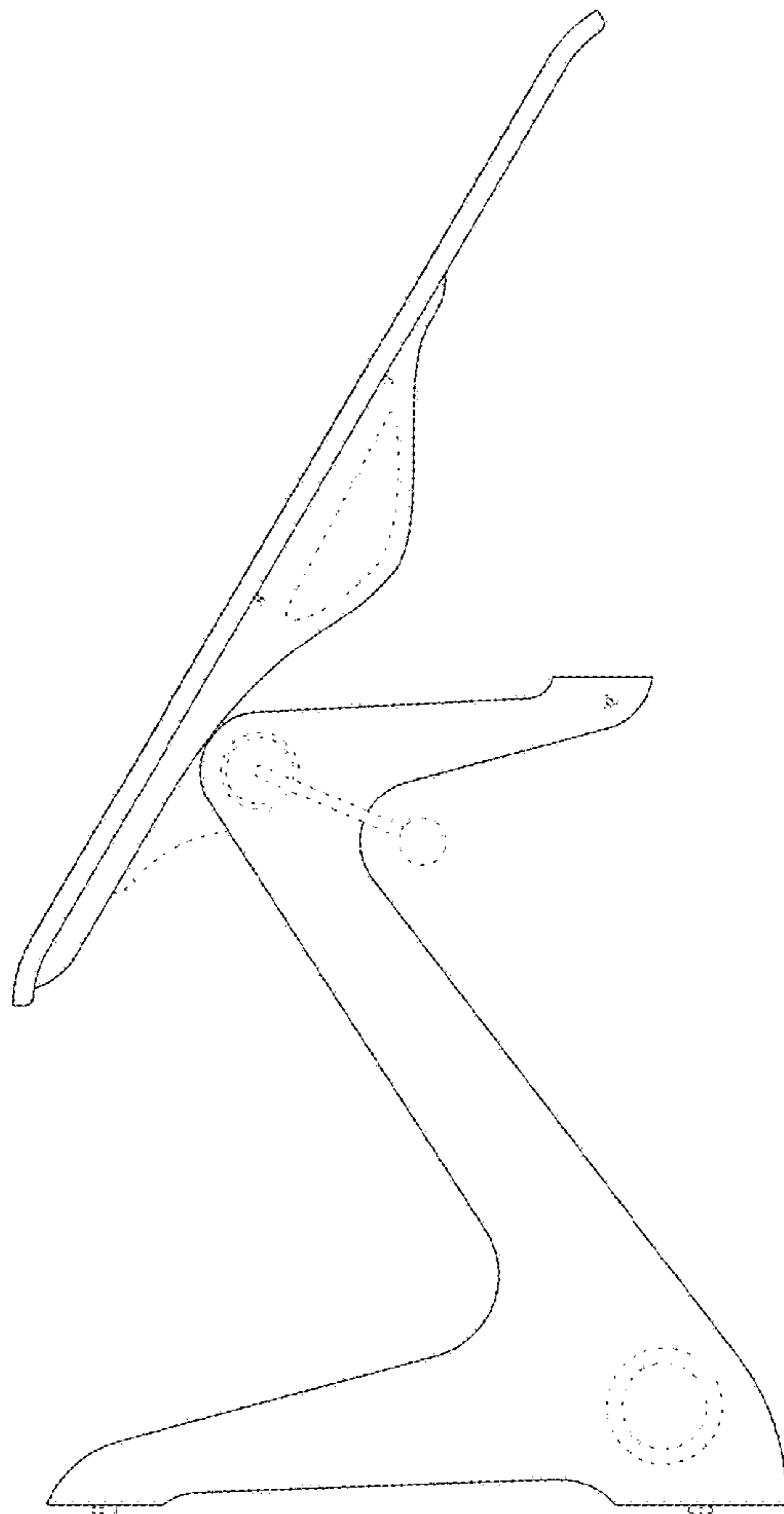


FIG. 13

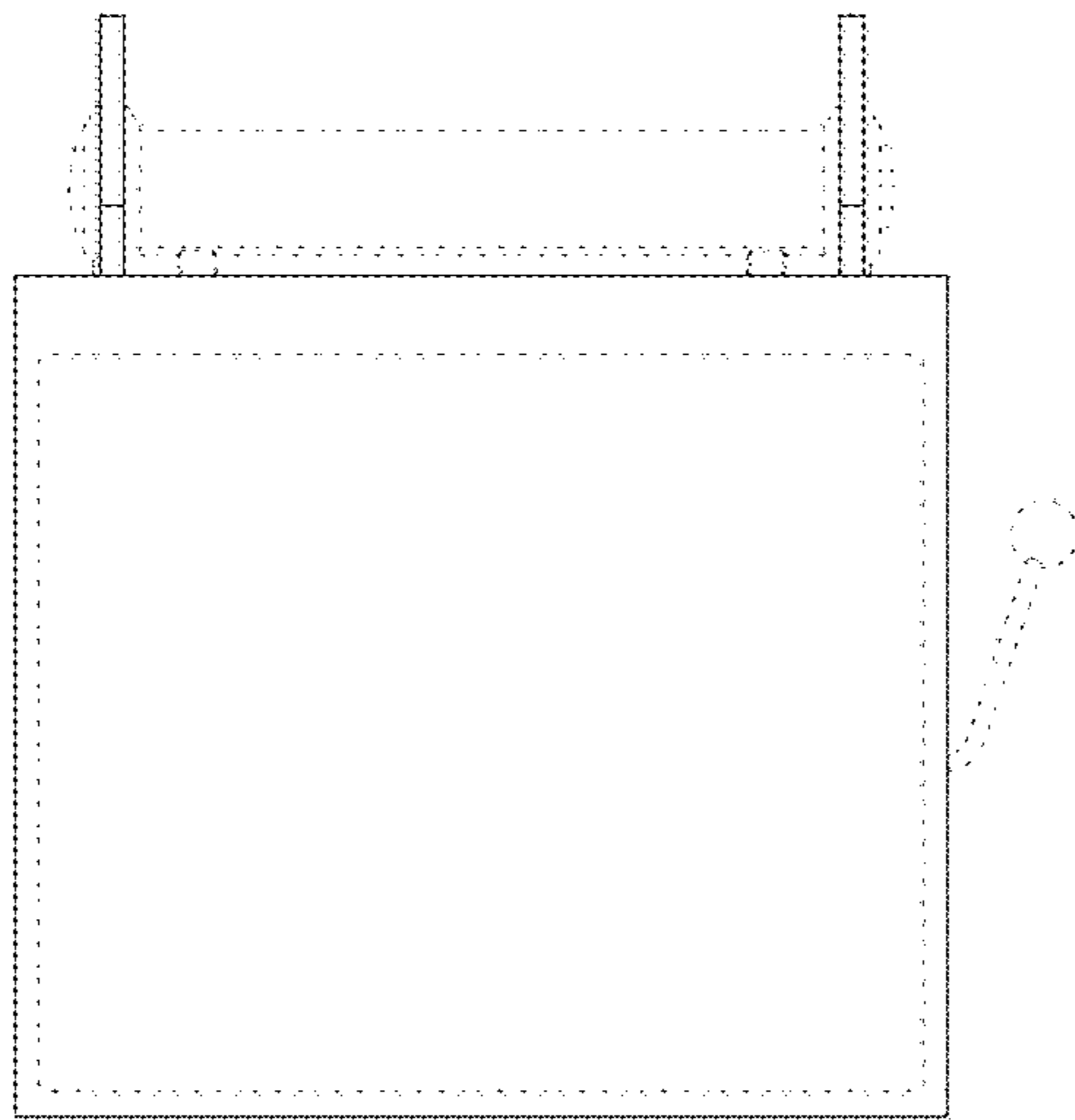


FIG. 14

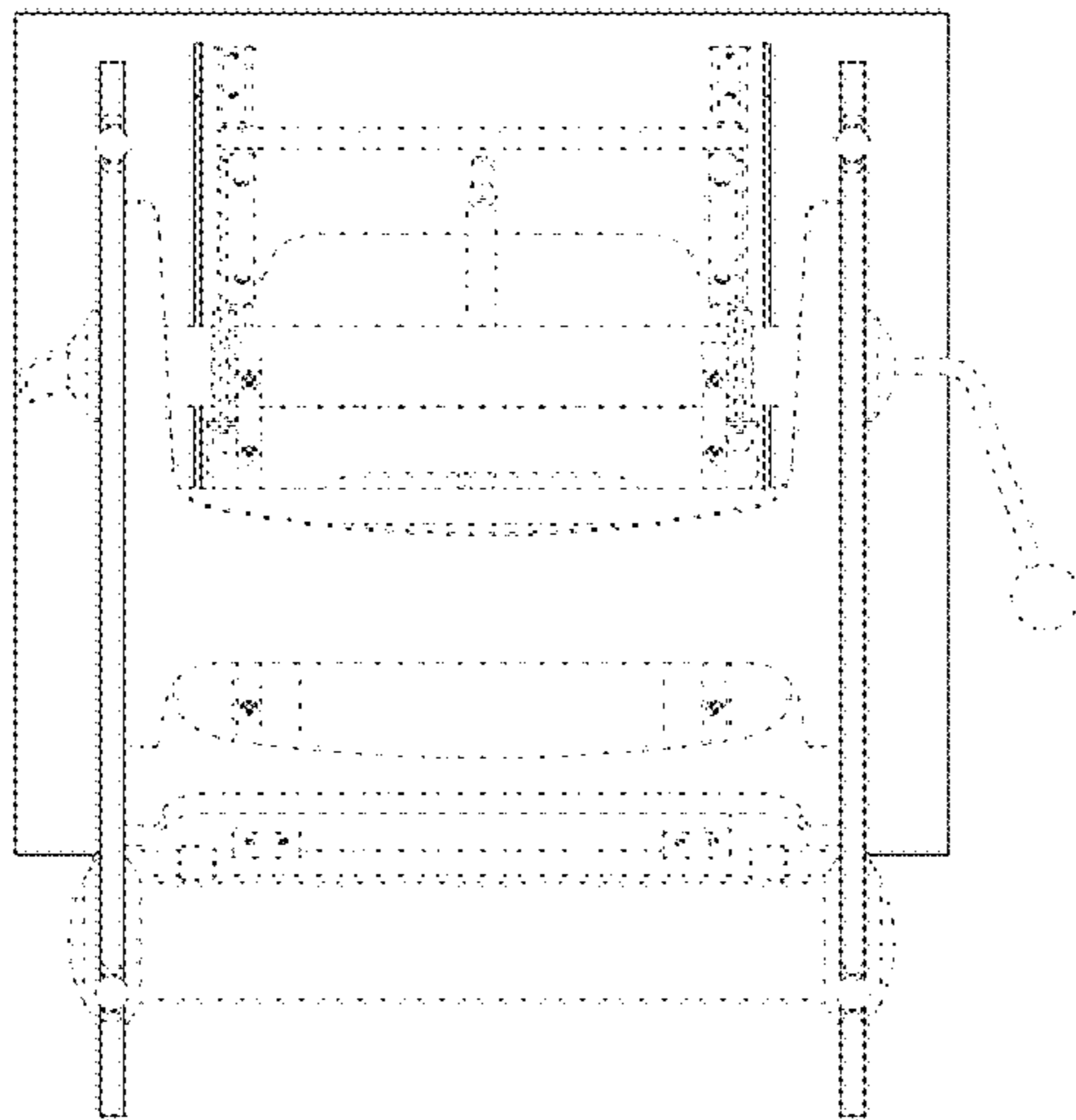


FIG. 15

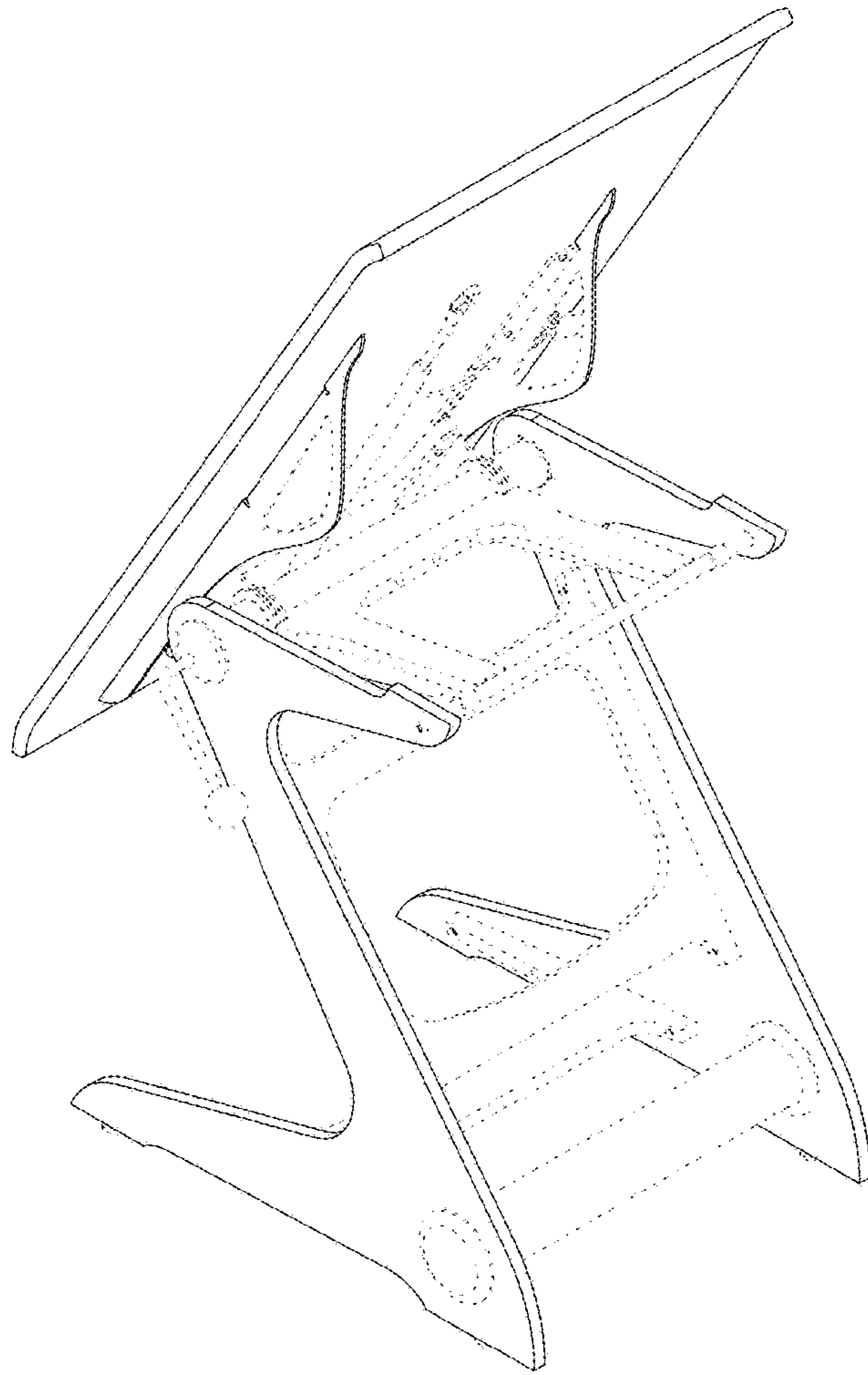


FIG. 16