



US00D859004S

(12) **United States Design Patent**
Suzuki

(10) **Patent No.:** **US D859,004 S**

(45) **Date of Patent:** **** Sep. 10, 2019**

(54) **COSMETIC CONTAINER**

(71) Applicant: **KOTOBUKI & CO., LTD.**,
Kawagoe-shi (JP)

(72) Inventor: **Tomoaki Suzuki**, Kawagoe (JP)

(73) Assignee: **KOTOBUKI & CO., LTD.**,
Saitama-Ken (JP)

(**) Term: **15 Years**

(21) Appl. No.: **29/603,993**

(22) Filed: **May 15, 2017**

(51) **LOC (12) Cl.** **04-02**

(52) **U.S. Cl.**
USPC **D4/199**

(58) **Field of Classification Search**
USPC D4/121, 127, 135, 138; 15/106, 159.1,
15/160, 176.1, 184, 190-194; 132/289,
132/294, 298, 313, 317, 320; 401/123,
401/141, 175, 281
CPC A46B 7/026; A46B 5/005; A46B 17/04;
A46B 2200/1046
See application file for complete search history.

(56) **References Cited**

U.S. PATENT DOCUMENTS

D624,755 S	*	10/2010	Luis	D4/111
D628,811 S	*	12/2010	Masuyama	D4/128
D690,945 S	*	10/2013	Williams	D4/128
D752,876 S	*	4/2016	Jacob	D4/128
D781,593 S	*	3/2017	Kaicker	D4/128
D784,024 S	*	4/2017	Jun	D4/128
D787,191 S	*	5/2017	Hwang	D4/127
D787,193 S	*	5/2017	Hwang	D4/127
D787,194 S	*	5/2017	Hwang	D4/127
D787,195 S	*	5/2017	Nakamura	D4/128
D787,833 S	*	5/2017	Jain	D4/127
D789,695 S	*	6/2017	Jain	D4/127

D791,488 S	*	7/2017	Jain	D4/127
D793,090 S	*	8/2017	Allen	D4/127
D798,604 S	*	10/2017	Hwang	D4/127
D801,058 S	*	10/2017	Xavier	D4/135

(Continued)

OTHER PUBLICATIONS

Notification of Refusal of Japanese Design Application No. 2017-500327, dated Jan. 5, 2018, 8 pgs.

(Continued)

Primary Examiner — Austin Murphy

(74) *Attorney, Agent, or Firm* — Frost Brown Todd LLC

(57) **CLAIM**

The ornamental design for a cosmetic container, as shown and described.

DESCRIPTION

FIG. 1 is a perspective view of a cosmetic container, showing my new design;

FIG. 2 is a front view of the cosmetic container of FIG. 1 (the back view being a mirror image of the front view shown in FIG. 2);

FIG. 3 is a top view of the cosmetic container of FIG. 1;

FIG. 4 is a bottom view of the cosmetic container of FIG. 1;

FIG. 5 is a left side view of the cosmetic container of FIG. 1;

FIG. 6 is a right side view of the cosmetic container of FIG. 1;

FIG. 7 is an enlarged top view of the cosmetic container of FIG. 1;

FIG. 8 is an enlarged view of a portion of the cosmetic container of FIG. 1, the portion being indicated by the broken line circle in FIG. 2; and,

FIG. 9 is a front view of the cosmetic container of FIG. 1, with a cap thereof.

The broken lines in the drawings are unclaimed environment and form no part of the claimed design.

FIG. 9 is a front view of the cosmetic container of FIG. 1, with a cap thereof.

The broken lines in the drawings are unclaimed environment and form no part of the claimed design.

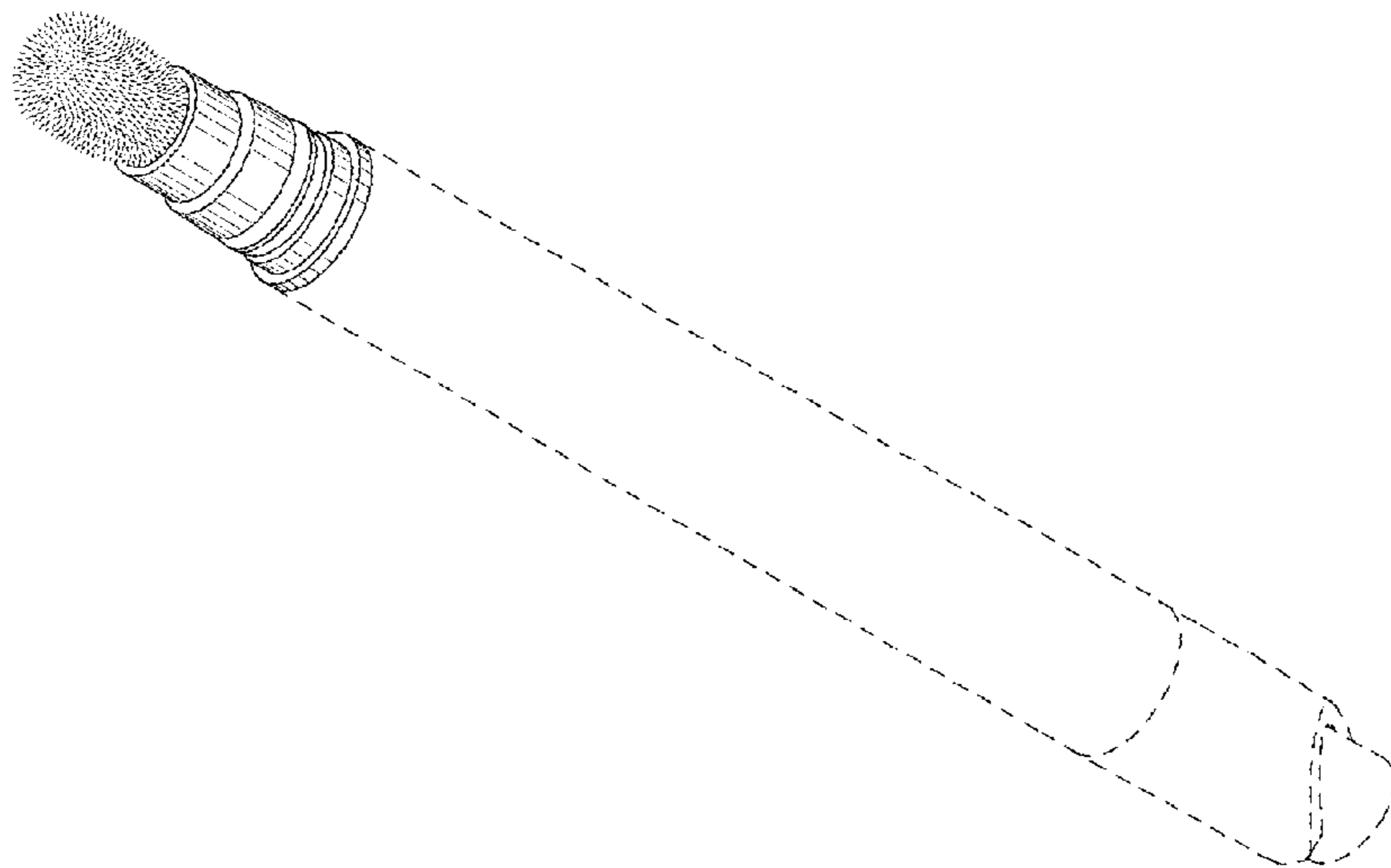
FIG. 9 is a front view of the cosmetic container of FIG. 1, with a cap thereof.

The broken lines in the drawings are unclaimed environment and form no part of the claimed design.

FIG. 9 is a front view of the cosmetic container of FIG. 1, with a cap thereof.

The broken lines in the drawings are unclaimed environment and form no part of the claimed design.

1 Claim, 3 Drawing Sheets



(56)

References Cited

U.S. PATENT DOCUMENTS

D818,277 S * 5/2018 Jain D4/135
D818,718 S * 5/2018 Kaicker D4/136
D829,006 S * 9/2018 Richards A46B 5/0095
D4/138
D832,521 S * 10/2018 West D28/76
D840,693 S * 2/2019 Hwang D4/127

OTHER PUBLICATIONS

“Color Stay Rouge,” Cecile.com, 1999, downloaded Jan. 11, 2018
from <https://www.cecile.co.jp/detail/YG-1383/> , 7 pgs.

* cited by examiner

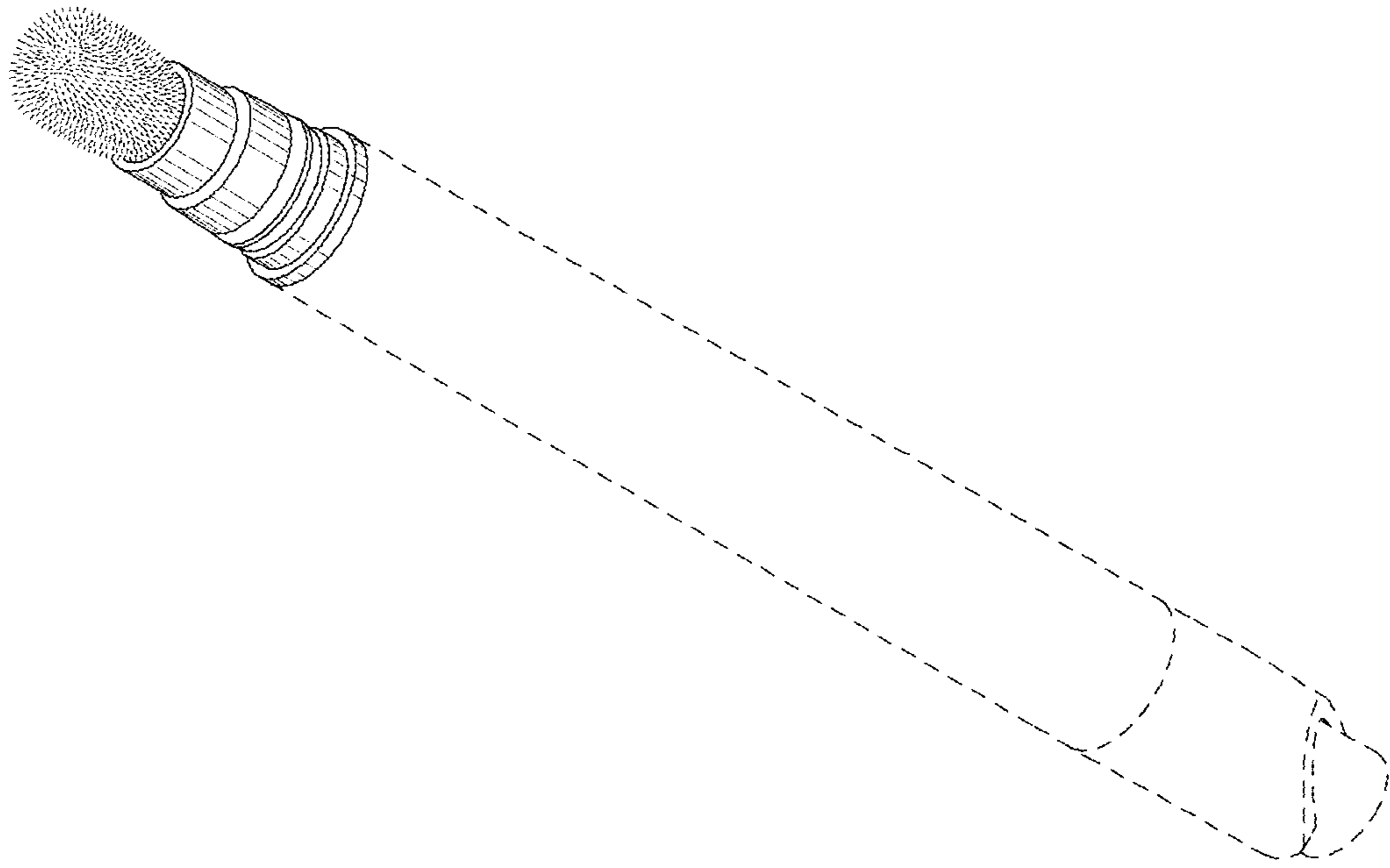


FIG. 1

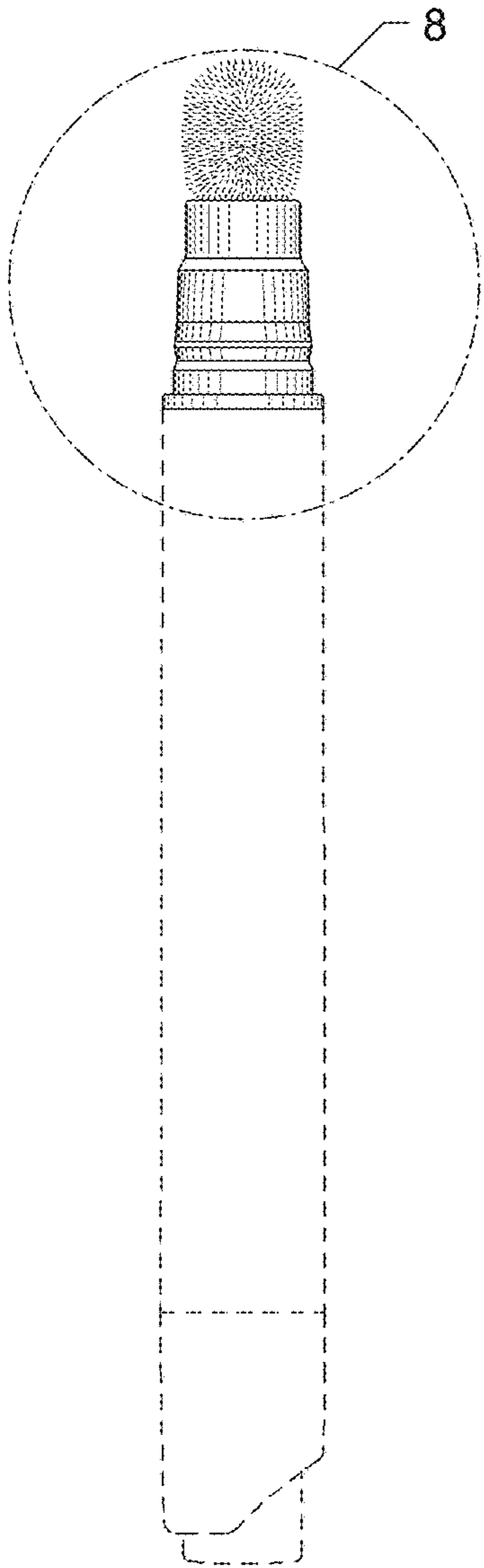


FIG. 2

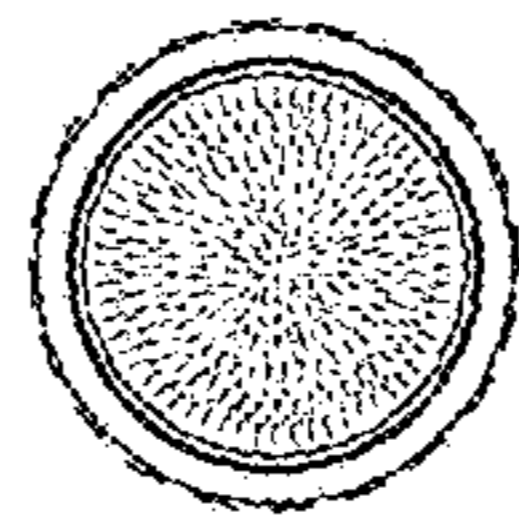


FIG. 3

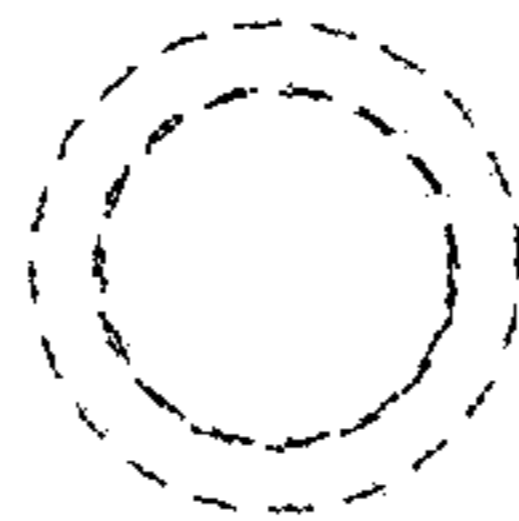


FIG. 4

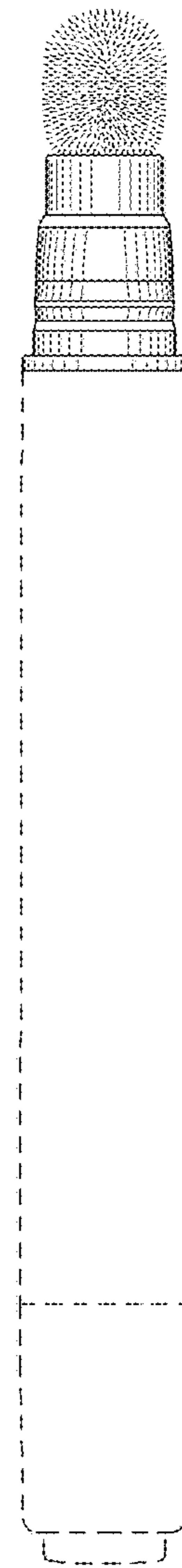


FIG. 5

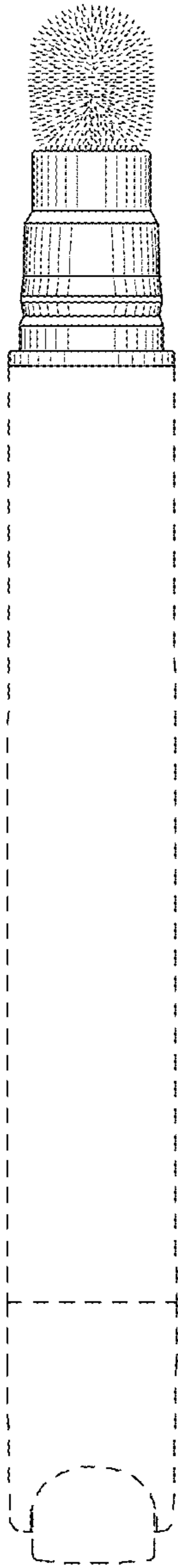


FIG. 6

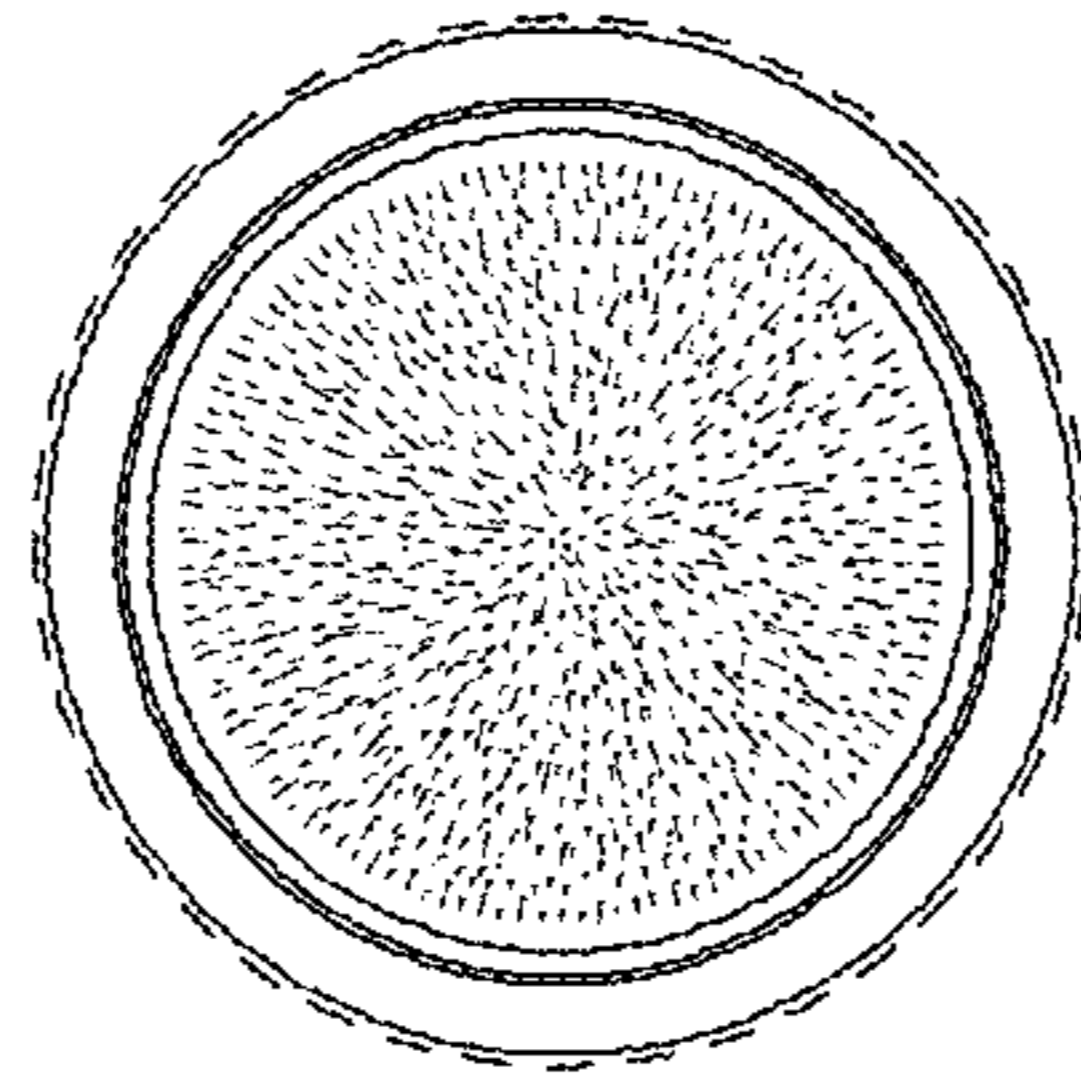


FIG. 7

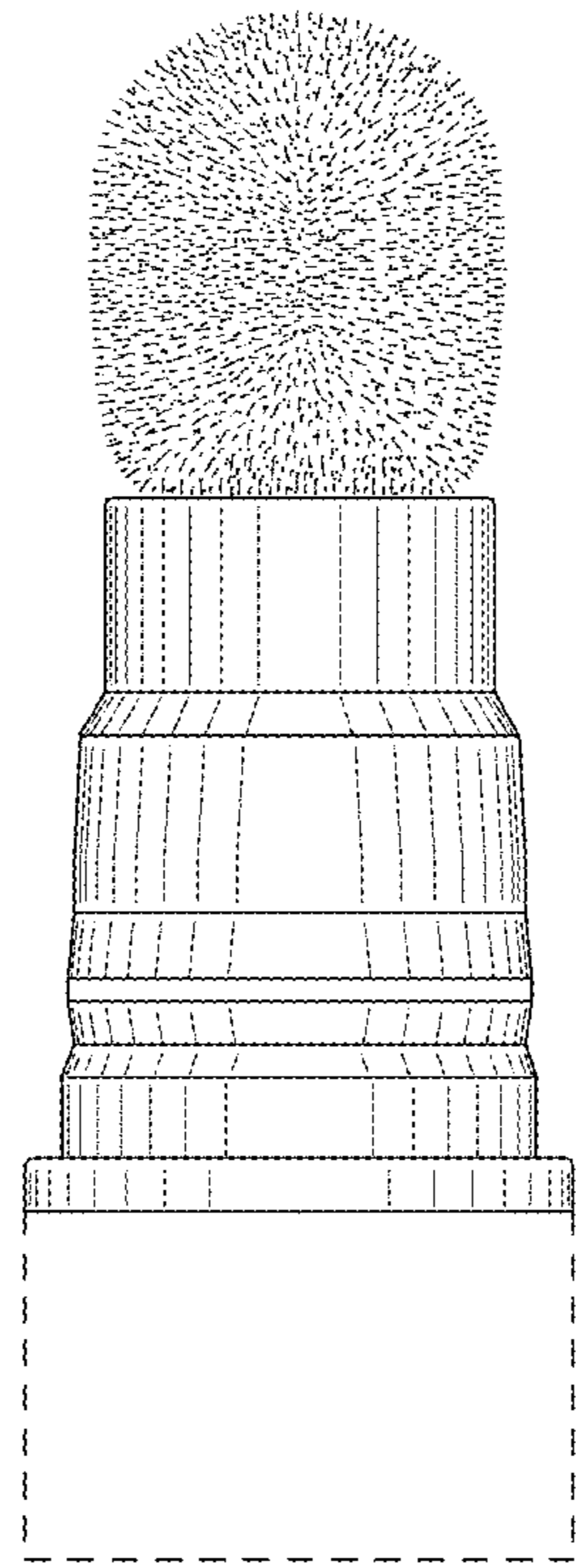


FIG. 8

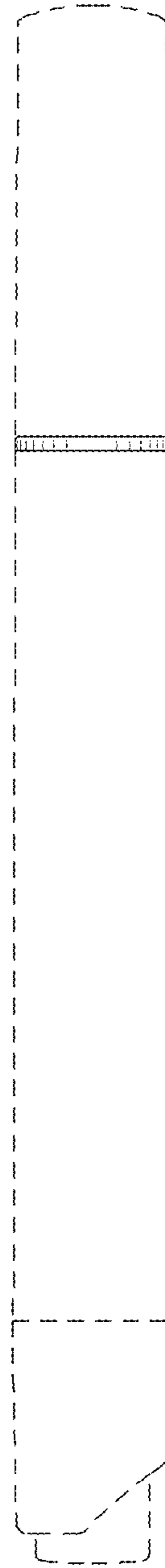


FIG. 9