



US00D859001S

(12) **United States Design Patent**
Nicoline

(10) **Patent No.:** **US D859,001 S**

(45) **Date of Patent:** **** Sep. 10, 2019**

(54) **MAKEUP BRUSH**

(71) Applicant: **Paris Presents Incorporated**, Gurnee, IL (US)

(72) Inventor: **Alyssa Carolyn Nicoline**, McHenry, IL (US)

(73) Assignee: **Paris Presents Incorporated**, Gurnee, IL (US)

(**) Term: **15 Years**

(21) Appl. No.: **29/655,147**

(22) Filed: **Jun. 29, 2018**

Related U.S. Application Data

(63) Continuation of application No. 29/626,215, filed on Nov. 15, 2017, now Pat. No. Des. 825,193, which is a continuation of application No. 29/596,179, filed on Mar. 6, 2017, now Pat. No. Des. 802,936.

(51) **LOC (12) Cl.** **04-02**

(52) **U.S. Cl.**
USPC **D4/135**

(58) **Field of Classification Search**
USPC D4/121, 127, 135, 138; 15/106, 159.1, 15/160, 176.1, 184, 190-194; 132/289, 132/294, 298, 313, 317, 320; 401/123, 401/141, 175, 281
CPC A46B 7/026; A46B 5/005; A46B 17/04; A46B 2200/1046
See application file for complete search history.

(56) **References Cited**

U.S. PATENT DOCUMENTS

D30,616 S 4/1899 Bentzinger
1,500,925 A 7/1924 Coleman et al.
2,052,836 A 9/1936 Rudolf et al.
D132,607 S 6/1942 Schwartz

D147,406 S 9/1947 Goeller
D158,728 S 5/1950 Collins
D183,913 S 11/1958 Brands
D205,127 S 6/1966 Dykes
3,505,700 A 4/1970 Rodriguez et al.
D217,745 S 6/1970 Sitson
D220,074 S 3/1971 Morris
D251,159 S 2/1979 Tolliver
D269,481 S 6/1983 Souza
D278,951 S 5/1985 Kalinsky

(Continued)

FOREIGN PATENT DOCUMENTS

DE 9315103 U1 12/1993
WO 2010084870 A1 7/2010

Primary Examiner — Austin Murphy

(74) *Attorney, Agent, or Firm* — Quarles & Brady LLP

(57) **CLAIM**

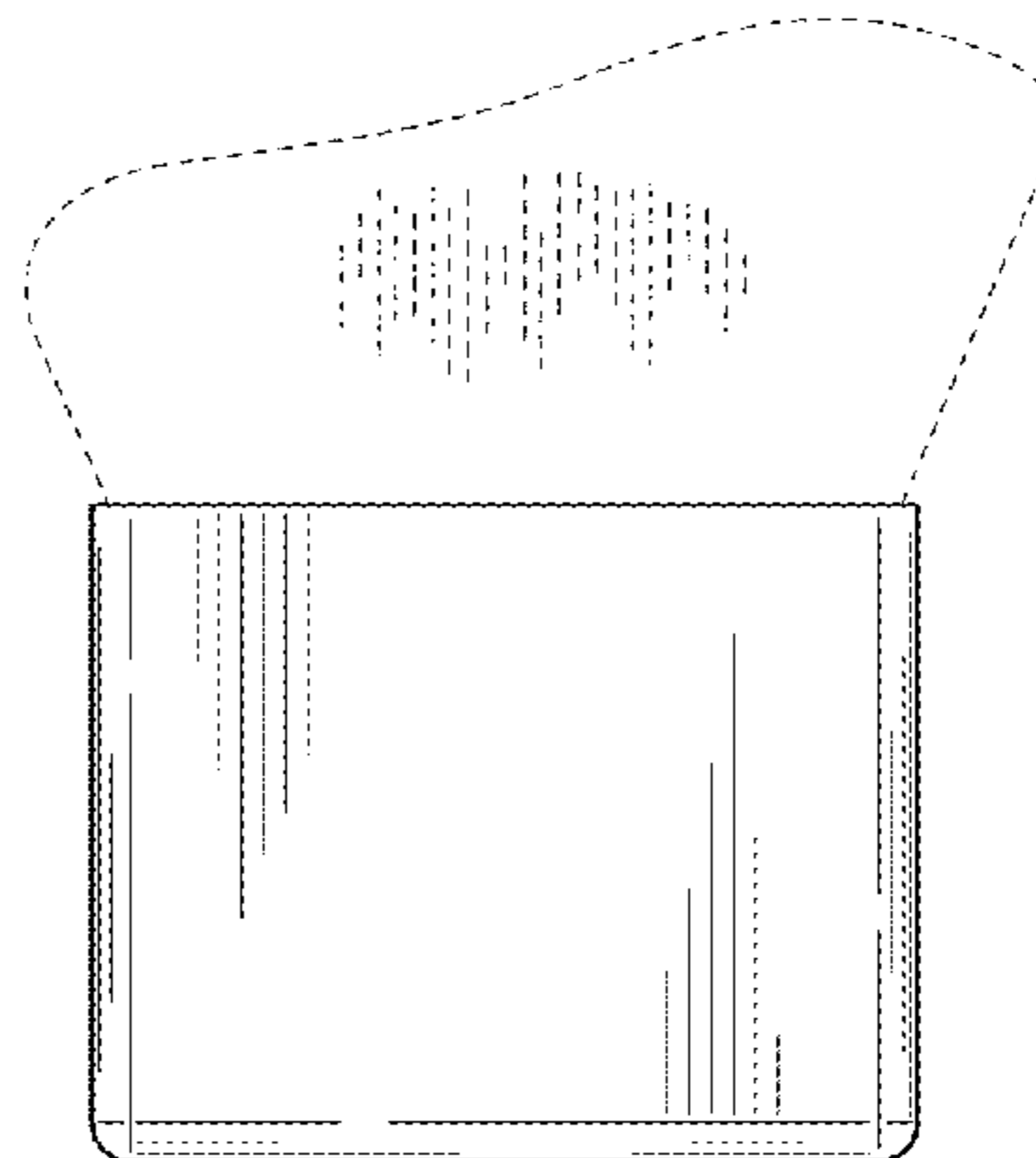
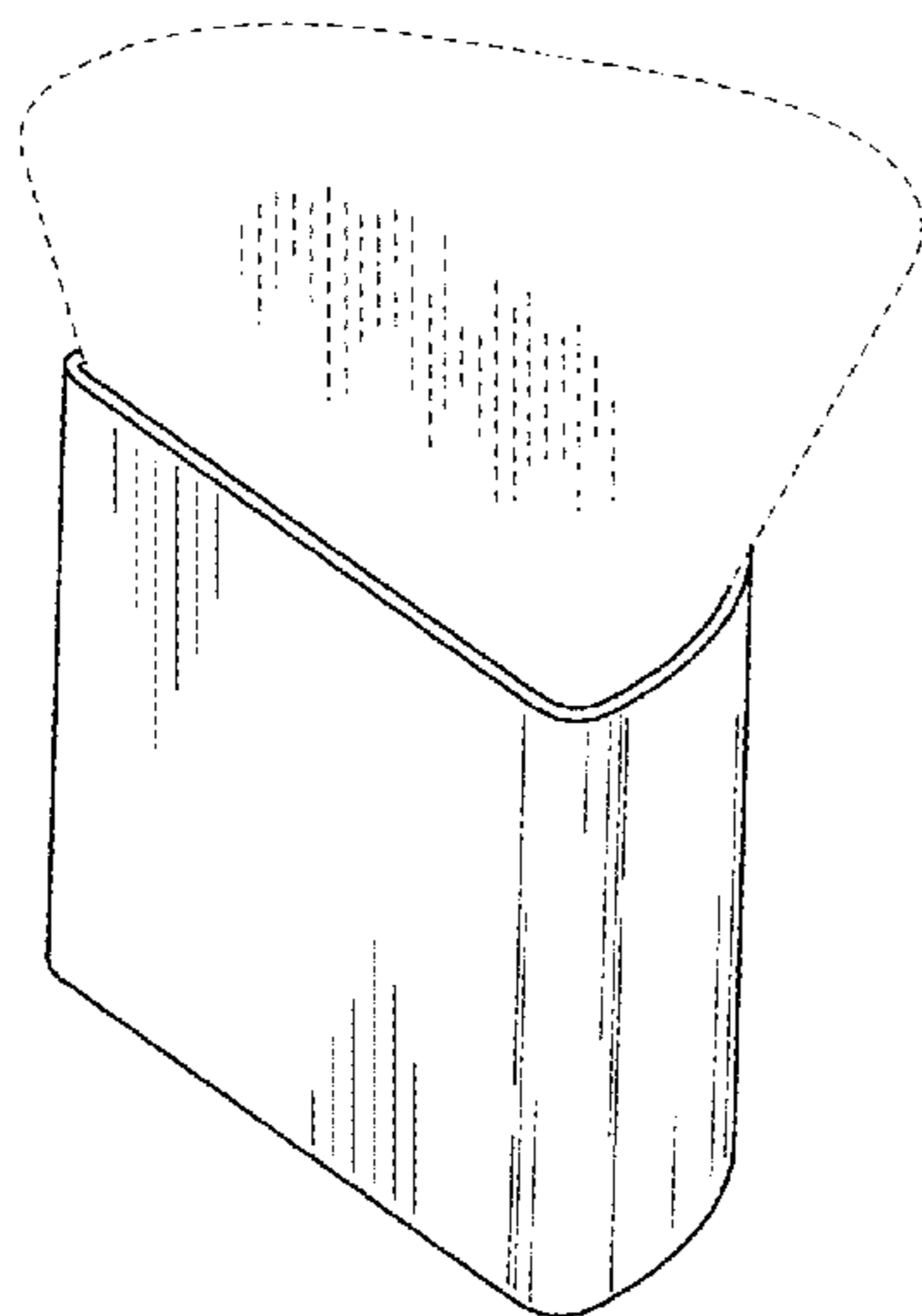
The ornamental design for a makeup brush, as shown and described.

DESCRIPTION

FIG. 1 is an isometric view of a front, top, and right side of an ornamental design for a makeup brush;
FIG. 2 is a front elevational view of the makeup brush of FIG. 1;
FIG. 3 is a rear elevational view of the makeup brush of FIG. 1;
FIG. 4 is a right side elevational view of the makeup brush of FIG. 1;
FIG. 5 is a left side elevational view of the makeup brush of FIG. 1;
FIG. 6 is a top plan view of the makeup brush of FIG. 1; and, FIG. 7 is a bottom plan view of the makeup brush of FIG. 1.

The dash-dash-dash-dash lines are for the purpose of illustrating environmental structure and form no part of the claimed design.

1 Claim, 2 Drawing Sheets



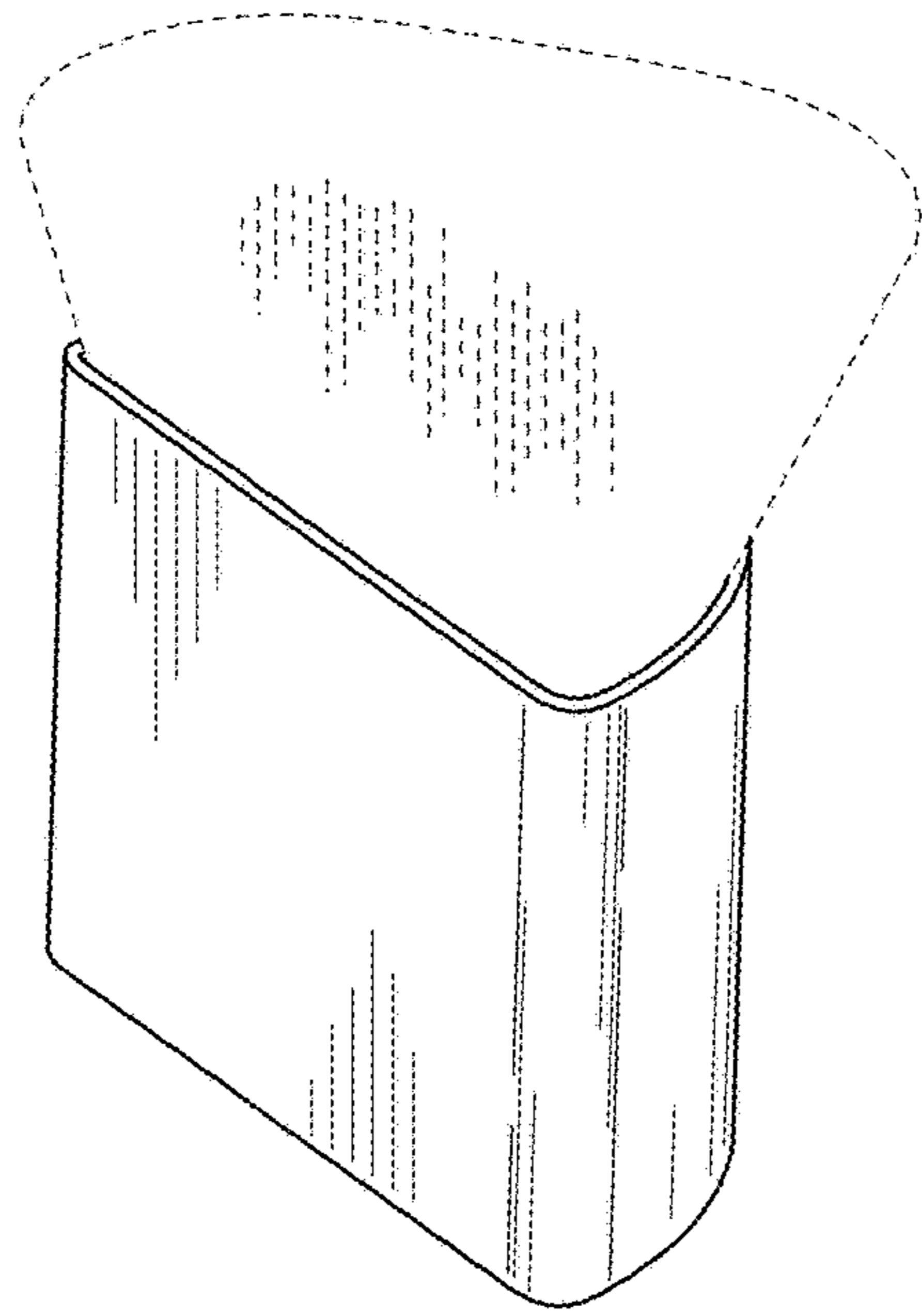


FIG. 1

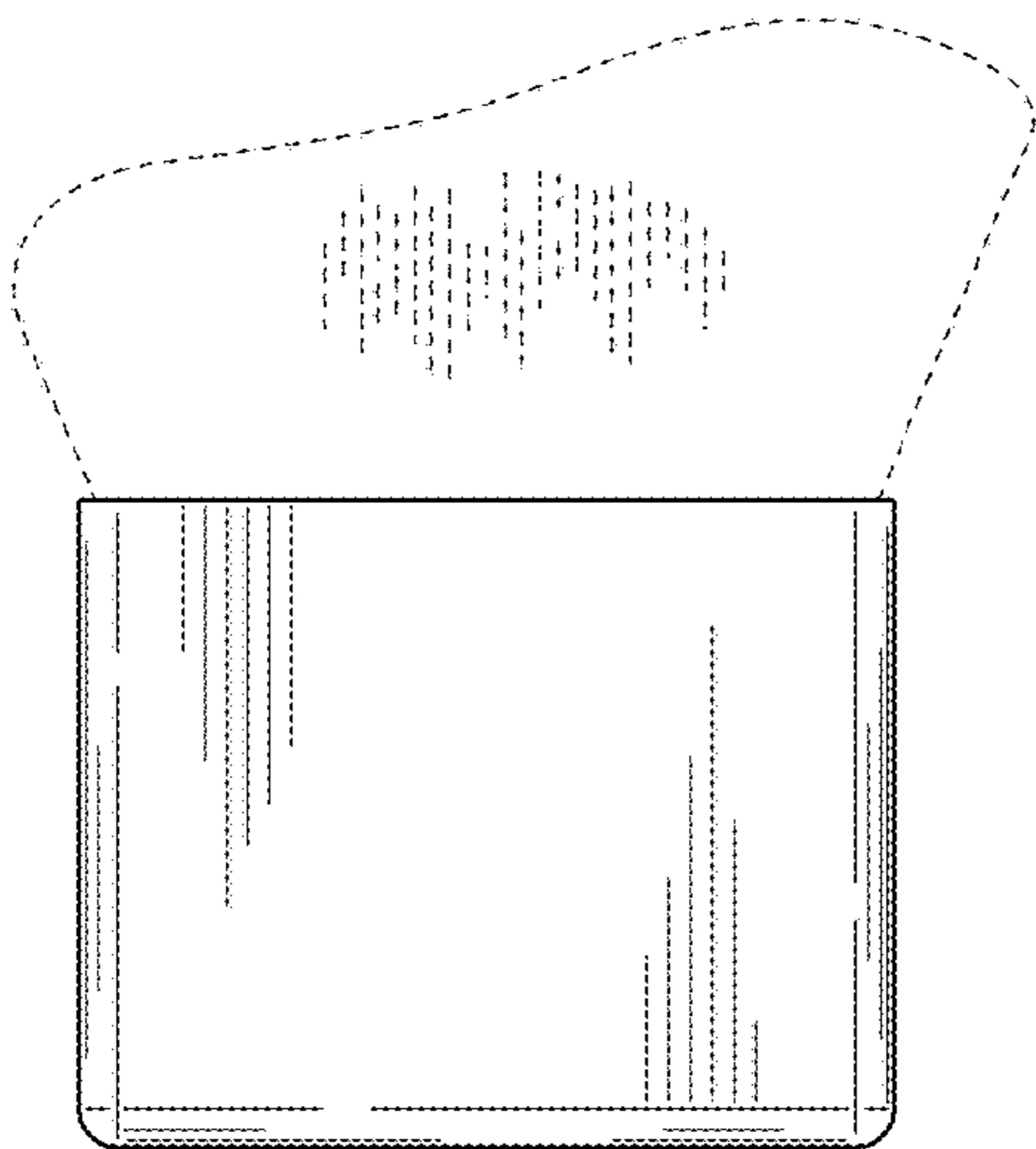


FIG. 2

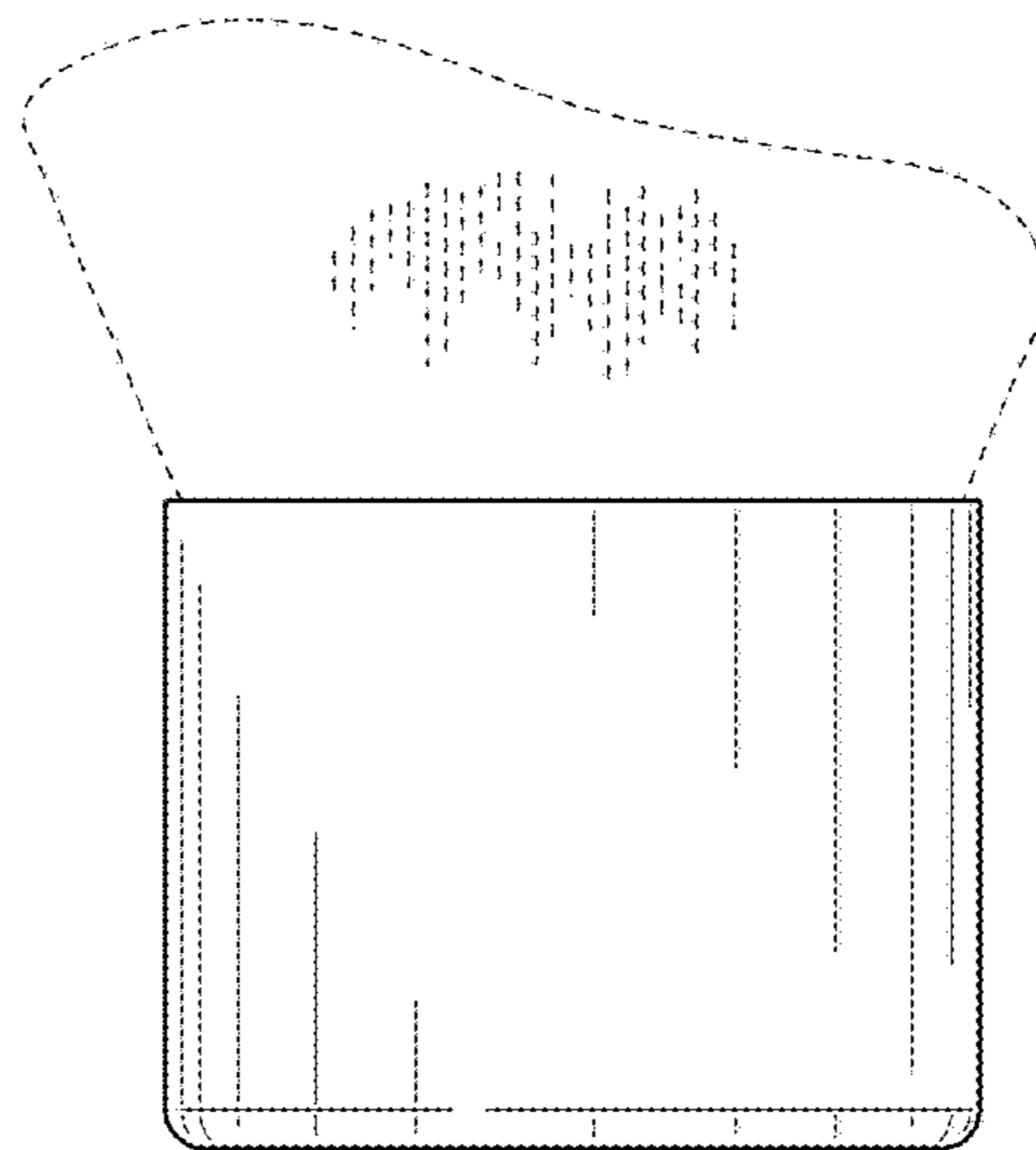


FIG. 3

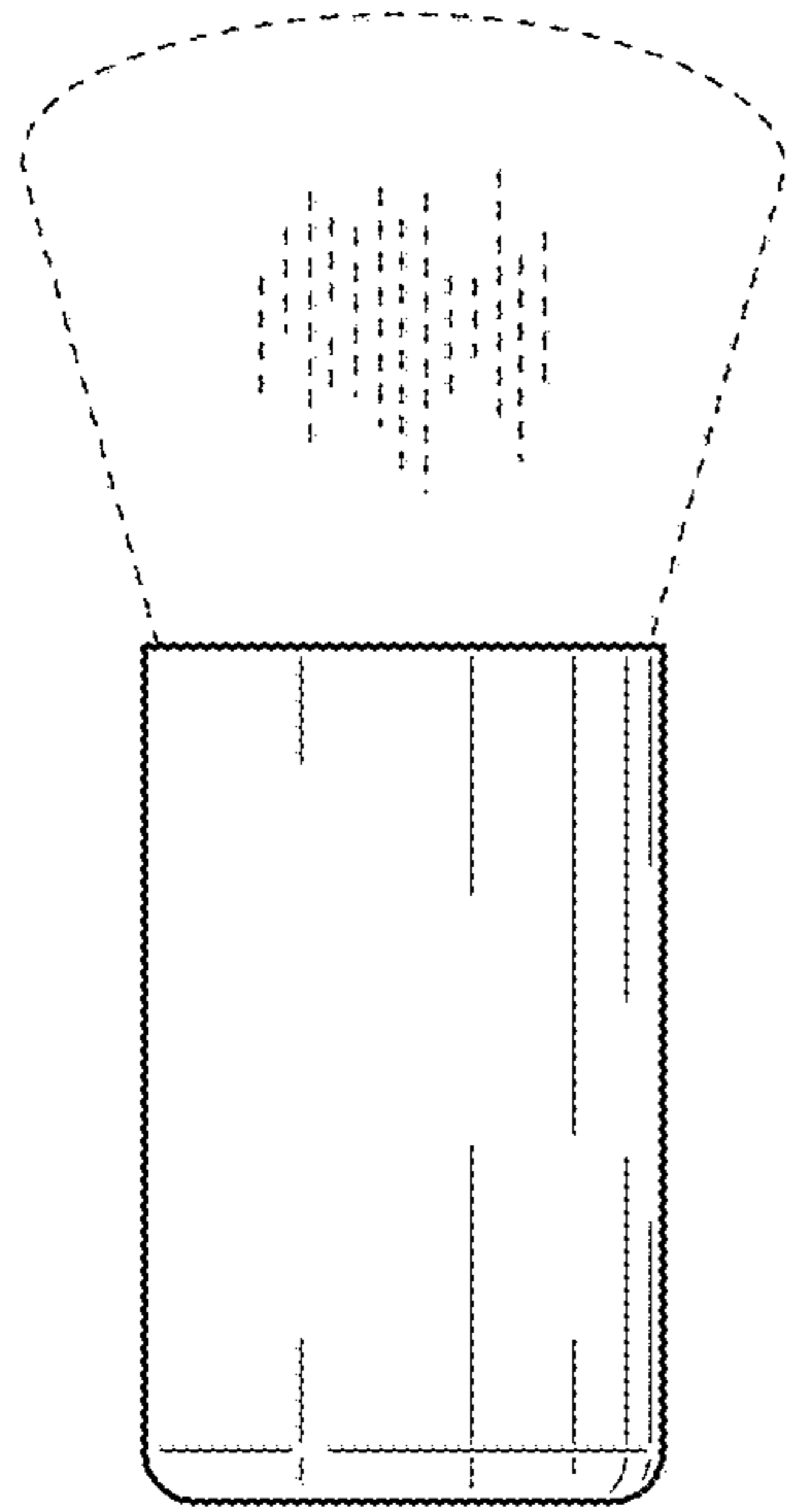


FIG. 4

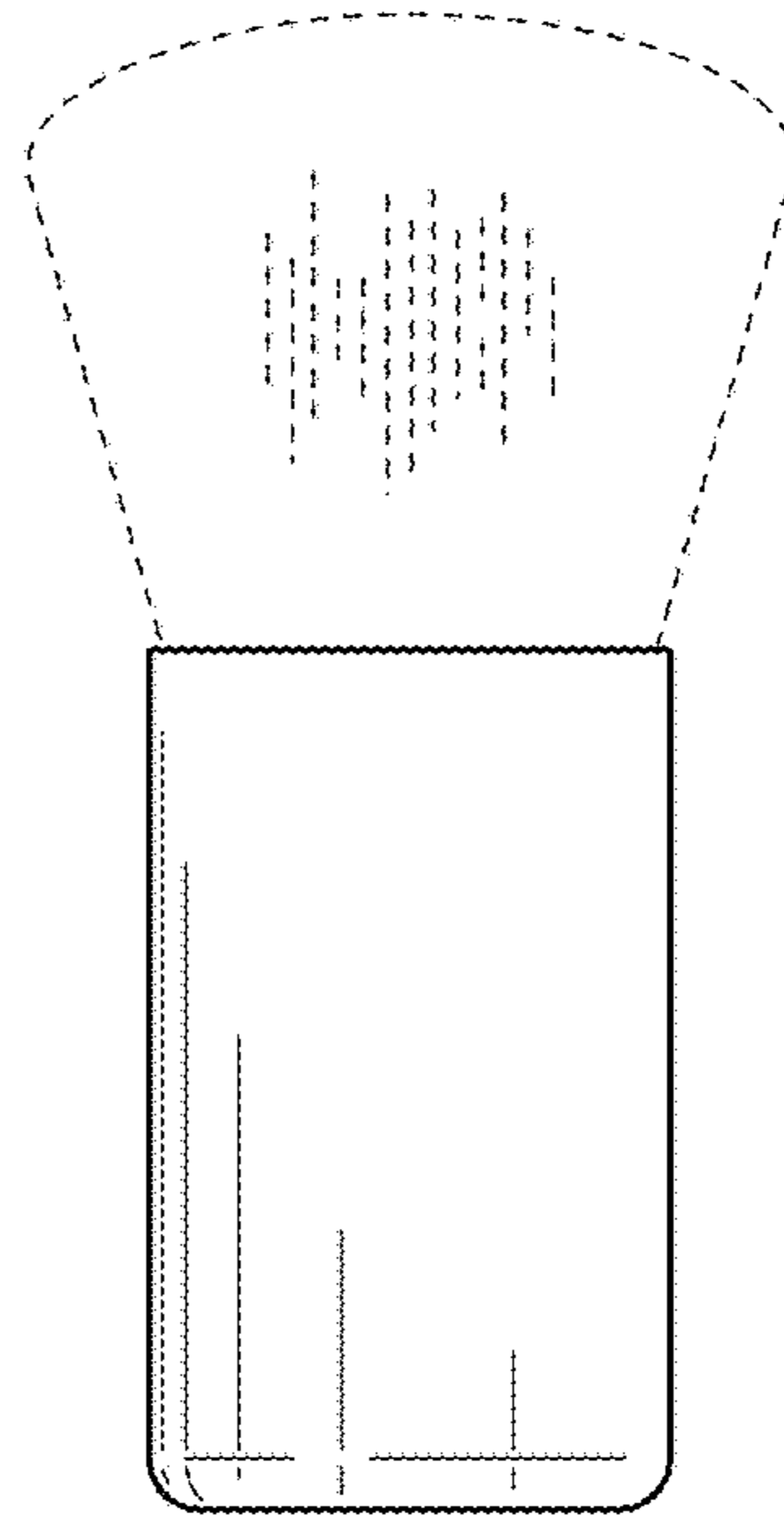


FIG. 5

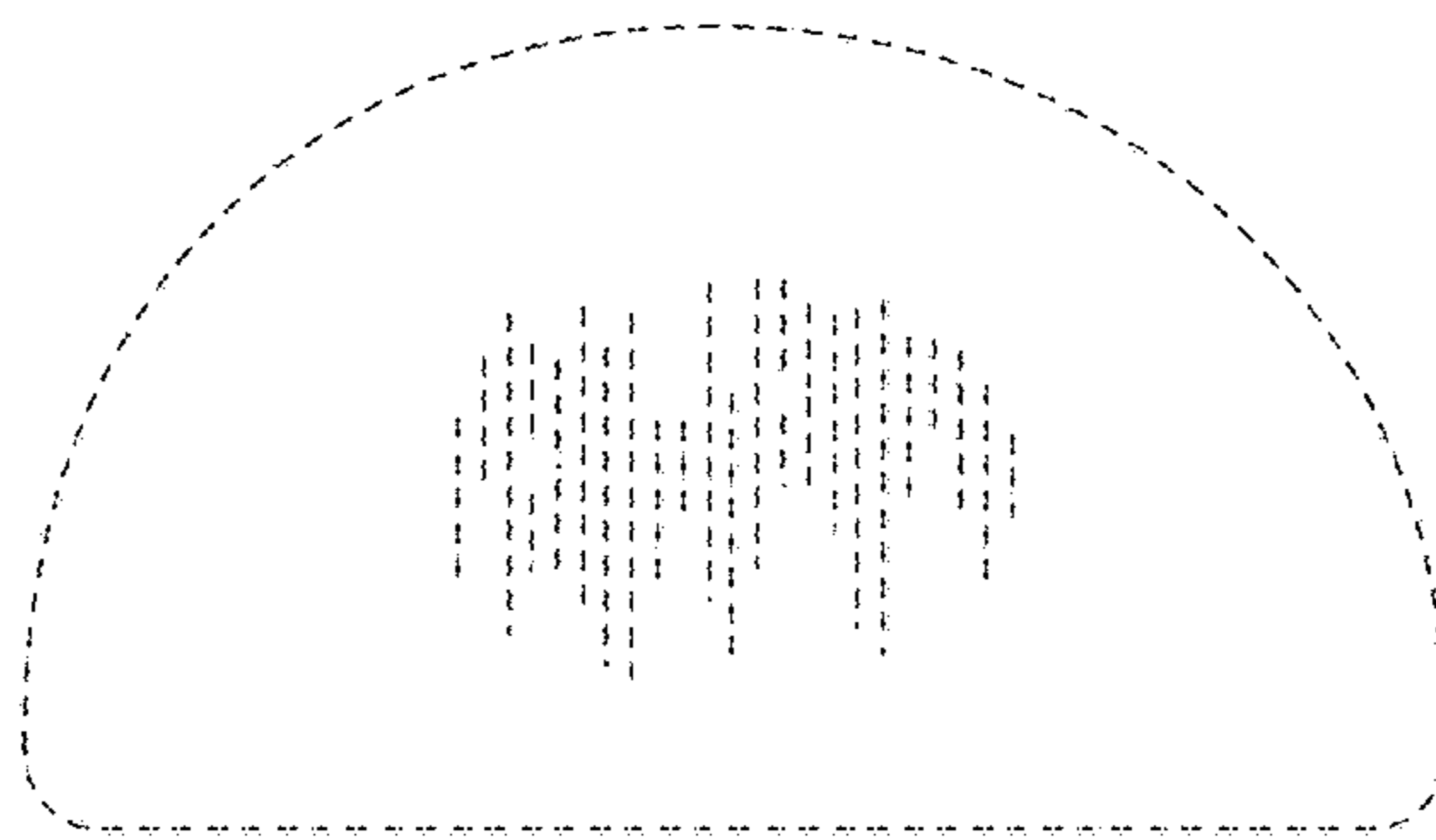


FIG. 6

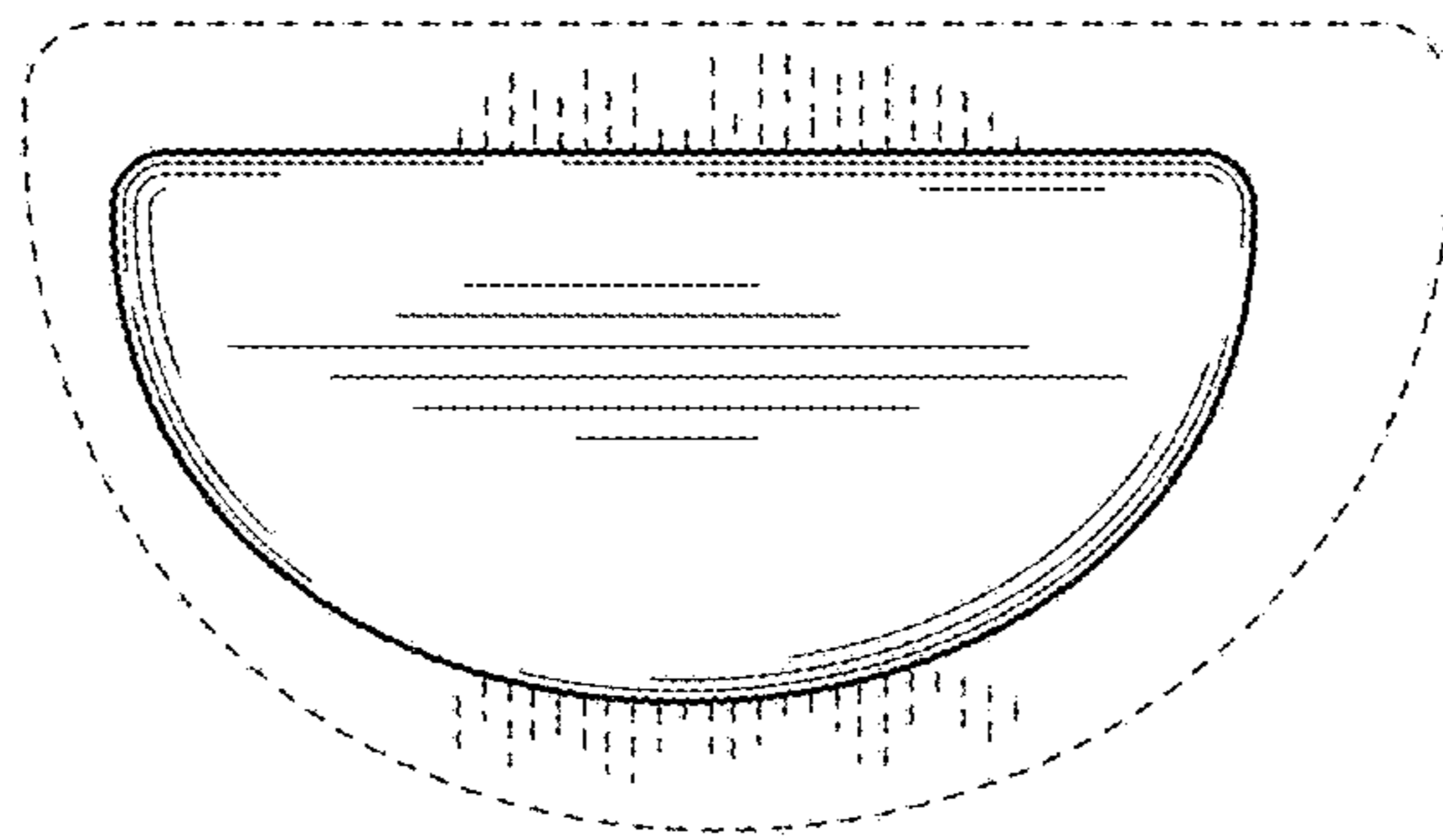


FIG. 7