



US00D858999S

(12) **United States Design Patent**  
**Moon**

(10) **Patent No.:** **US D858,999 S**

(45) **Date of Patent:** **\*\* Sep. 10, 2019**

(54) **MASCARA**

(71) Applicant: **INTERWORK KOREA CO., LTD.**,  
Siheung-si (KR)

(72) Inventor: **Hyun Myung Moon**, Yongin-si (KR)

(73) Assignee: **INTERWORK KOREA CO., LTD.**,  
Siheung-si (KR)

(\*\*) Term: **15 Years**

(21) Appl. No.: **29/653,802**

(22) Filed: **Jun. 19, 2018**

(30) **Foreign Application Priority Data**

Apr. 20, 2018 (KR) ..... 30-2018-0018849

(51) **LOC (12) Cl.** ..... **04-02**

(52) **U.S. Cl.**  
USPC ..... **D4/128**

(58) **Field of Classification Search**  
USPC ..... D4/128, 129, 131, 136, 138, 108, 109,  
D4/119; D32/35, 51; 15/104.5, 104.16,  
15/104.2, 104.31, 104.32, 164, 165, 206;  
D28/65; D7/682; 452/298, 458  
CPC ..... A46B 7/026; A46B 5/005; A46B 17/04;  
A46B 2200/1046

See application file for complete search history.

(56) **References Cited**

**U.S. PATENT DOCUMENTS**

4,446,880 A \* 5/1984 Gueret ..... A45D 40/265  
132/218  
4,527,575 A \* 7/1985 Vasas ..... A45D 40/26  
132/218

D623,418 S \* 9/2010 Martinez ..... D4/128  
D629,617 S \* 12/2010 Yasuda ..... D4/128  
D650,992 S \* 12/2011 Legassie ..... D4/128  
D752,874 S \* 4/2016 Jacob ..... D4/128  
D762,393 S \* 8/2016 Hong ..... D4/128  
D841,987 S \* 3/2019 Tanaka ..... D4/128  
D841,988 S \* 3/2019 Tanaka ..... D4/128  
2008/0060668 A1 \* 3/2008 Legassie ..... A46B 3/16  
132/218

\* cited by examiner

*Primary Examiner* — Austin Murphy

(74) *Attorney, Agent, or Firm* — Lex IP Meister, PLLC

(57) **CLAIM**

The ornamental design for mascara, as shown and described.

**DESCRIPTION**

FIG. 1 is a perspective view of a mascara showing our new design;  
FIG. 2 is a front elevational view thereof;  
FIG. 3 is a rear elevational view thereof;  
FIG. 4 is a left side elevational view thereof;  
FIG. 5 is a right side elevational view thereof;  
FIG. 6 is a top plan view thereof;  
FIG. 7 is a bottom plan view thereof; and,  
FIG. 8 is an overall perspective view of the design seen from bottom portion.

**1 Claim, 7 Drawing Sheets**

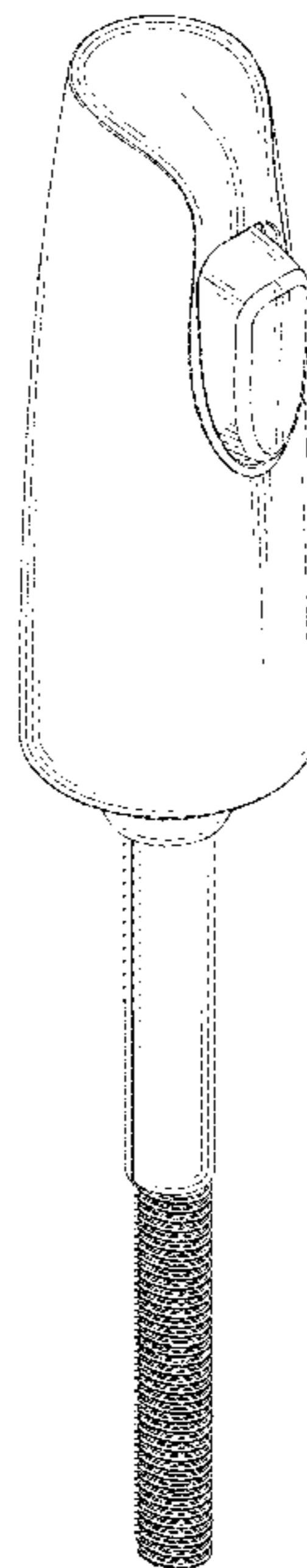


FIG. 1

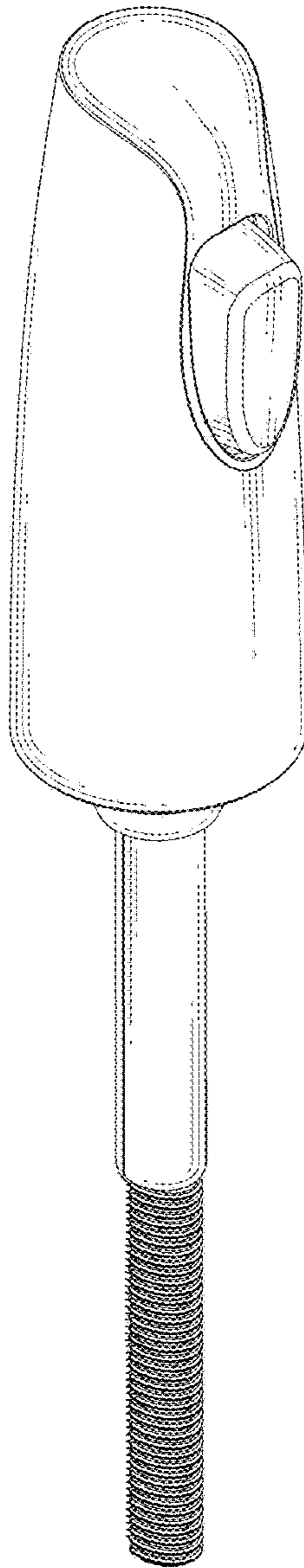


FIG. 2

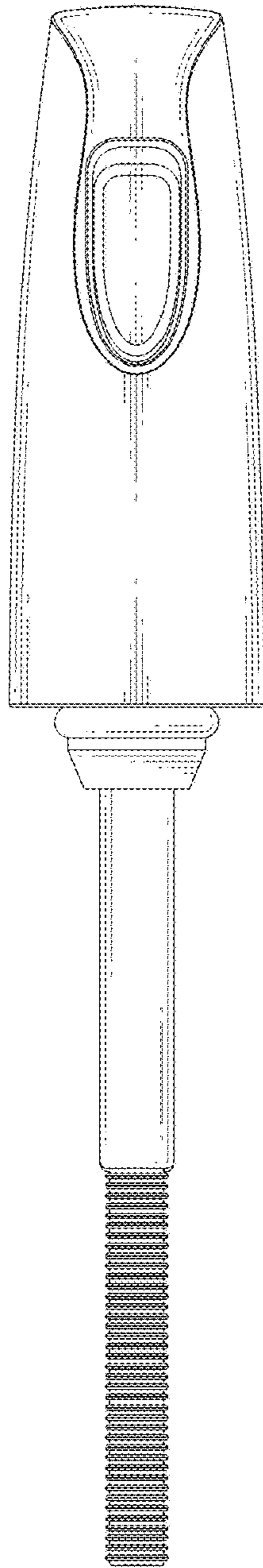


FIG. 3

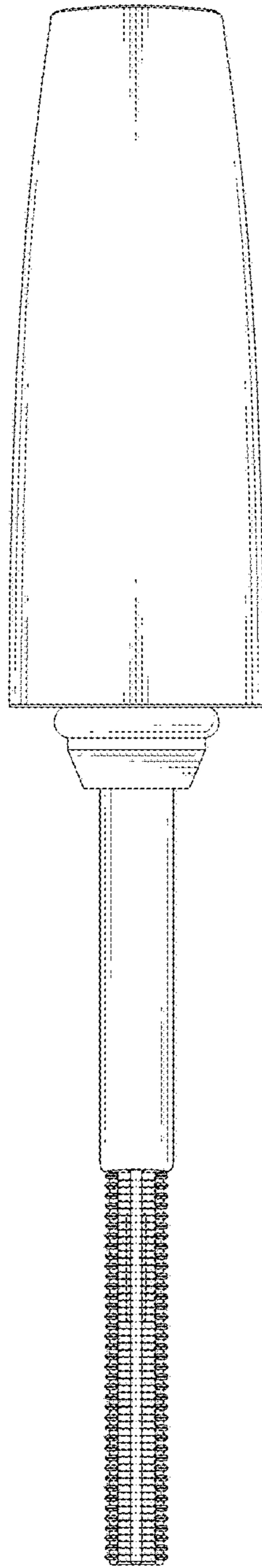


FIG. 4

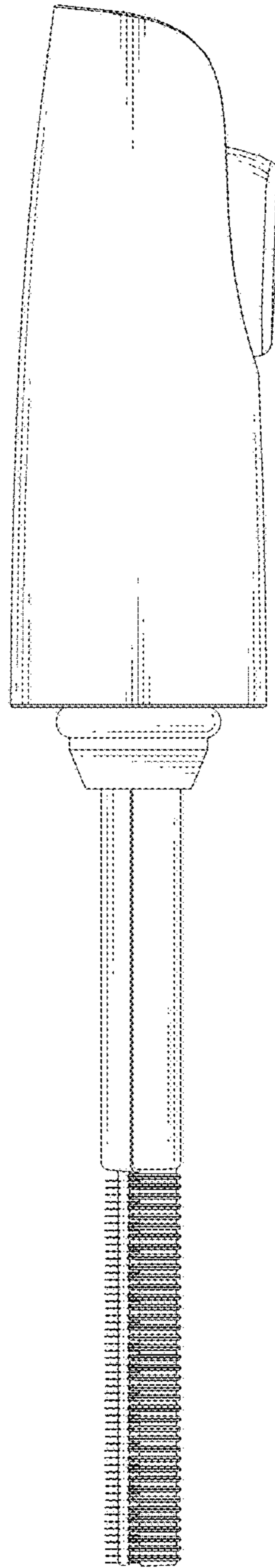


FIG. 5

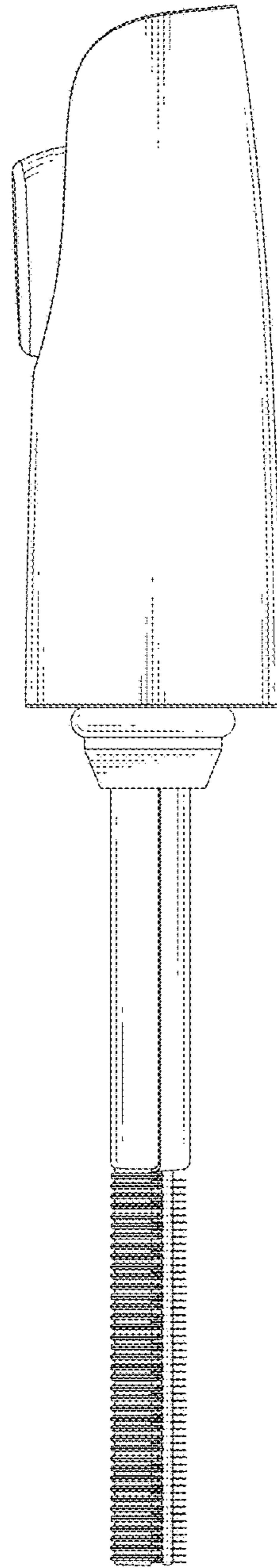


FIG. 6

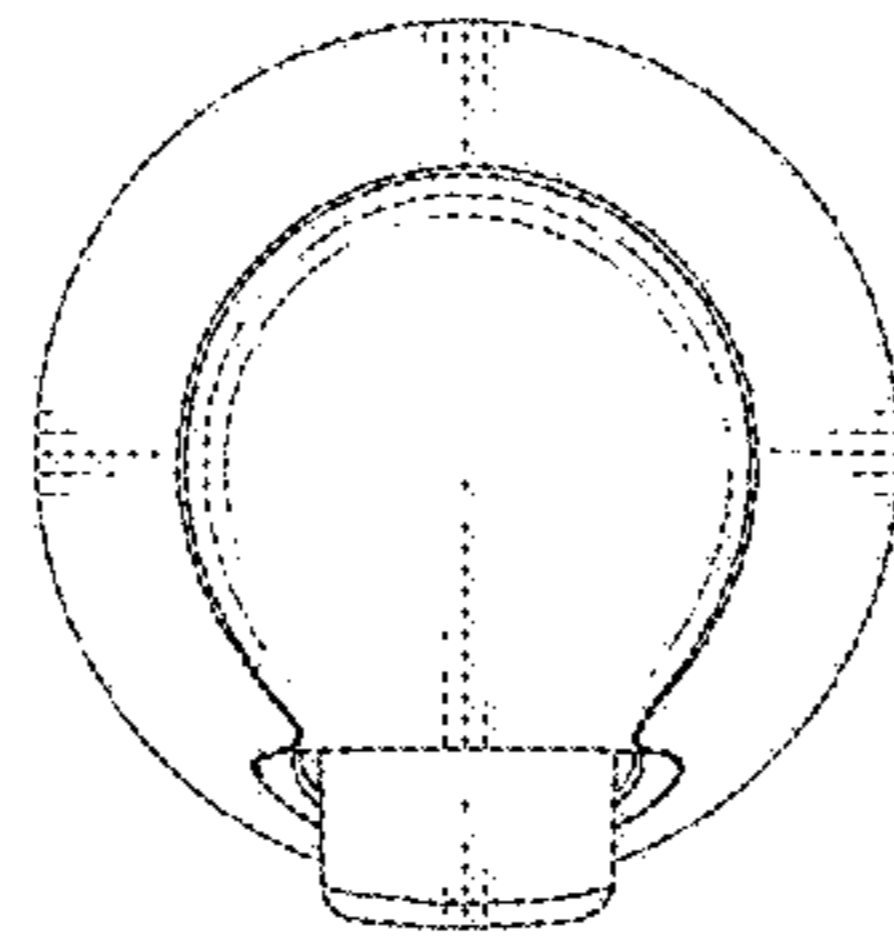


FIG. 7

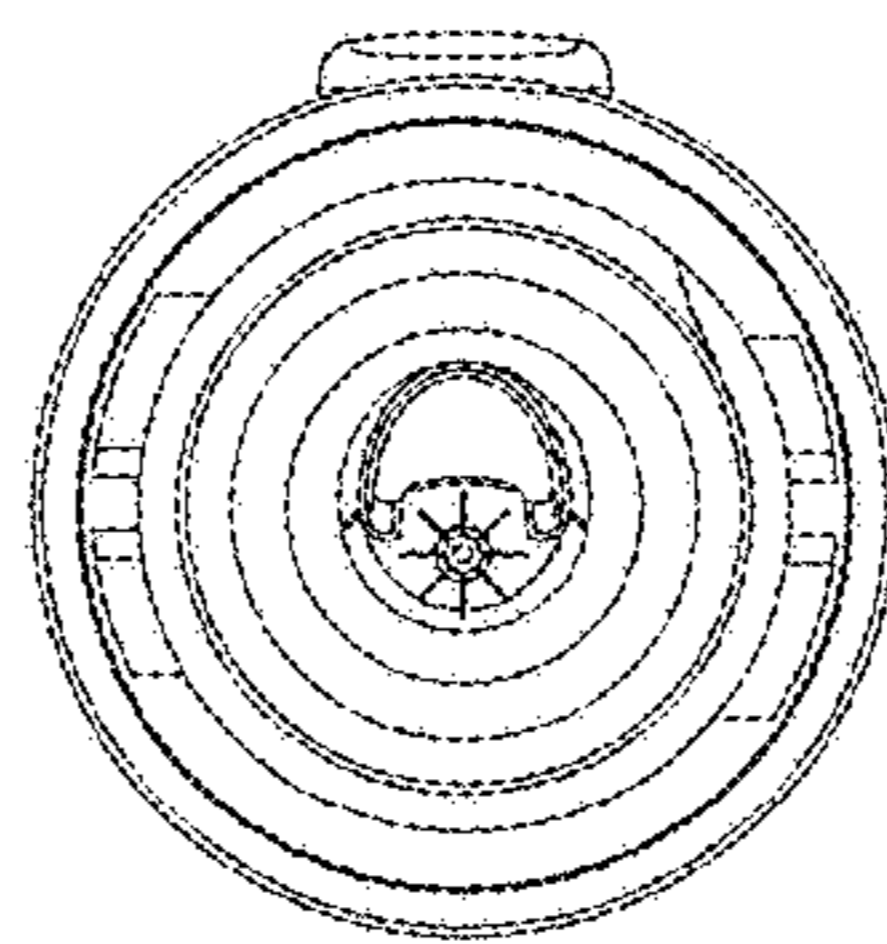


FIG. 8

