



US00D858997S

(12) **United States Design Patent** (10) **Patent No.:** **US D858,997 S**  
**Okai et al.** (45) **Date of Patent:** **\*\* Sep. 10, 2019**

(54) **TRACKING MODULE FOR AN ORAL CARE IMPLEMENT**

5,054,154 A 10/1991 Schiffer et al.  
5,697,117 A 12/1997 Craft  
D391,398 S \* 3/1998 Howell ..... D4/101  
5,974,615 A 11/1999 Schwarz-Hartmann et al.  
5,987,681 A 11/1999 Hahn et al.

(71) Applicant: **Colgate-Palmolive Company**, New York, NY (US)

(Continued)

(72) Inventors: **Takahide Okai**, Highland Park, NJ (US); **GuanMin Sun**, XiaMen (CN)

**FOREIGN PATENT DOCUMENTS**

(73) Assignee: **Colgate-Palmolive Company**, New York, NY (US)

CN 100364472 1/2008  
CN 303857368 6/2016

(Continued)

(\*\*) Term: **15 Years**

*Primary Examiner* — Wan Laymon  
*Assistant Examiner* — Clint A Samuel

(21) Appl. No.: **29/626,452**

(57) **CLAIM**

(22) Filed: **Nov. 17, 2017**

The ornamental design for a tracking module for an oral care implement, as shown and described.

(51) **LOC (12) Cl.** ..... **04-02**

(52) **U.S. Cl.**  
USPC ..... **D4/102**

**DESCRIPTION**

(58) **Field of Classification Search**  
USPC ..... D4/100, 101, 102, 104, 113, 138;  
D8/300, 321; D10/46, 49, 60

CPC ..... A61C 17/22; A61C 17/32; A61C 17/34;  
A61C 17/3472; A46B 2200/10; A46B 2200/1066; A46B 13/00; A46B 13/02;  
A46B 15/00; A46B 15/02; A46B 15/0038; A46B 15/0042; A46B 15/0046;  
A46B 9/04; A46B 9/06; A61B 5/00; A61B 5/01; A61B 5/02; A61B 5/024;  
A61B 5/721; A61B 5/1118; A61B 5/0095; H04W 4/027; G01S 5/00; G01S 5/0294;  
F16B 39/00; G09F 3/03; G09F 3/0317; G09F 3/0329

See application file for complete search history.

FIG. 1 is a front right perspective view of a tracking module for an oral care implement according to a first embodiment of the new design;  
FIG. 2 is a front view thereof;  
FIG. 3 is a rear view thereof;  
FIG. 4 is a right side view thereof;  
FIG. 5 is a left side view thereof;  
FIG. 6 is an enlarged top view thereof;  
FIG. 7 is an enlarged bottom view thereof;  
FIG. 8 is a front right perspective view of a tracking module for an oral care implement according to a second embodiment of the new design;  
FIG. 9 is a front view thereof;  
FIG. 10 is a rear view thereof;  
FIG. 11 is a right side view thereof;  
FIG. 12 is a left side view thereof;  
FIG. 13 is an enlarged top view thereof; and,  
FIG. 14 is an enlarged bottom view thereof.

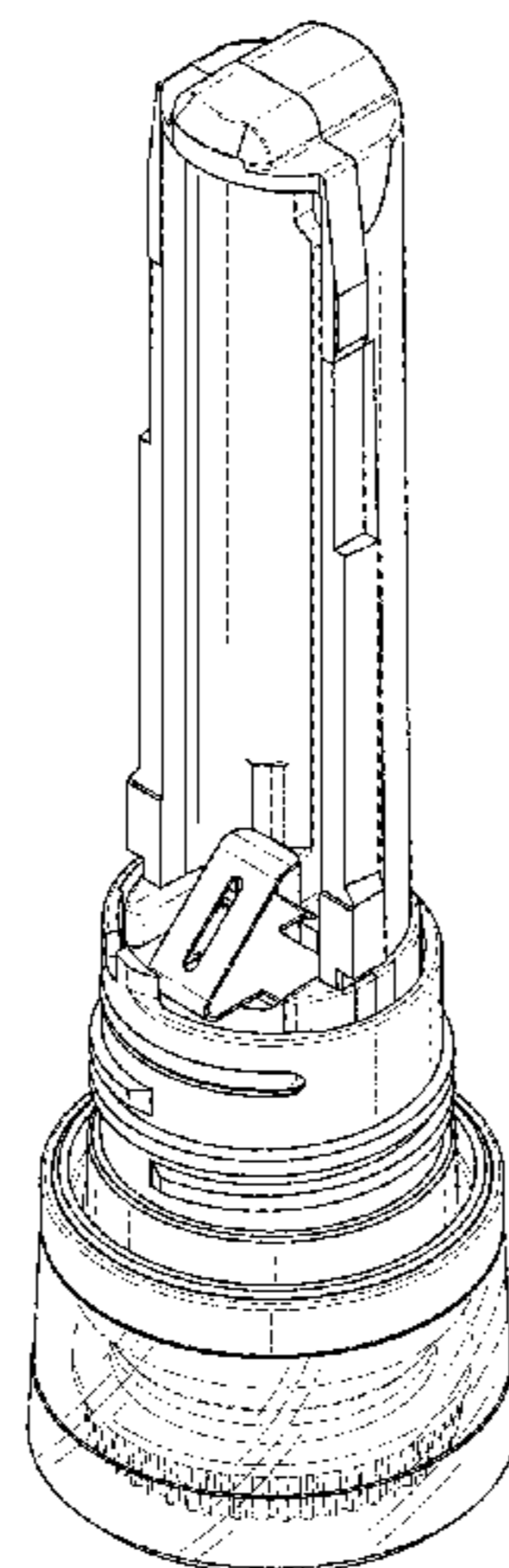
The broken lines in the drawings illustrate portions of the article that form no part of the claimed design.

(56) **References Cited**

**U.S. PATENT DOCUMENTS**

3,182,345 A \* 5/1965 Smith ..... A61C 17/32  
15/176.6  
4,989,287 A 2/1991 Scherer

**1 Claim, 8 Drawing Sheets**



(56)

References Cited

U.S. PATENT DOCUMENTS

6,090,488 A 7/2000 Kweon et al.  
 D453,626 S \* 2/2002 Greene ..... D4/101  
 6,464,920 B1 10/2002 Kraemer et al.  
 6,599,048 B2 7/2003 Kuo  
 6,623,698 B2 \* 9/2003 Kuo ..... A61B 10/0051  
 422/547  
 6,764,142 B2 7/2004 Kwon  
 6,802,097 B2 10/2004 Haefliger et al.  
 6,821,119 B2 11/2004 Shortt et al.  
 6,836,917 B2 1/2005 Blaustein et al.  
 6,895,625 B2 5/2005 Lev et al.  
 6,920,659 B2 7/2005 Cacka et al.  
 6,968,590 B2 11/2005 Ponzini  
 D529,720 S \* 10/2006 Chang ..... D4/138  
 7,162,764 B2 1/2007 Drossler et al.  
 7,240,390 B2 7/2007 Pfenniger et al.  
 D566,345 S \* 4/2008 McKay ..... D30/158  
 D572,486 S \* 7/2008 Lamason ..... D4/101  
 D573,317 S \* 7/2008 McKay ..... D30/159  
 7,419,225 B2 9/2008 Fischer et al.  
 D578,257 S \* 10/2008 McKay ..... D30/159  
 D588,363 S \* 3/2009 Nanda ..... D4/104  
 D596,357 S \* 7/2009 Rosen ..... D30/158  
 D599,555 S \* 9/2009 Oliphant ..... D4/101  
 D600,413 S \* 9/2009 Khubani ..... D30/158  
 7,636,976 B2 12/2009 Banning  
 7,761,947 B2 7/2010 Blaustein et al.  
 7,765,629 B2 8/2010 Kressner  
 7,845,041 B2 12/2010 Gatezemeyer et al.  
 7,975,344 B2 7/2011 Braun et al.  
 8,060,970 B2 11/2011 Solanki  
 8,089,227 B2 1/2012 Baertschi et al.  
 D658,298 S \* 4/2012 Prpa ..... D24/186  
 8,172,337 B2 5/2012 Kwon et al.  
 8,209,808 B2 7/2012 Kressner  
 8,288,970 B2 10/2012 Miller et al.  
 8,333,436 B2 12/2012 Kwon et al.  
 D677,793 S \* 3/2013 Prpa ..... D24/186  
 8,418,300 B2 4/2013 Miller et al.  
 8,499,851 B2 8/2013 Hata  
 8,512,611 B2 8/2013 Kang et al.  
 8,544,132 B2 10/2013 Gatzemeyer et al.  
 8,584,299 B2 11/2013 Chan et al.  
 8,590,092 B2 11/2013 Dickie  
 8,595,881 B2 12/2013 Fritsch  
 8,601,628 B2 12/2013 Barman  
 8,656,548 B2 2/2014 Jungnickel et al.  
 8,671,492 B2 3/2014 Kressner  
 8,695,143 B2 4/2014 Kloster  
 8,701,235 B2 4/2014 Kressner  
 8,793,829 B2 8/2014 Shimoyama et al.  
 8,806,691 B2 8/2014 Iwahori et al.  
 8,863,344 B2 10/2014 Kloster  
 8,938,839 B2 1/2015 Kitigawa et al.  
 9,009,902 B2 4/2015 Kitigawa et al.  
 9,084,659 B2 7/2015 Bovenkamp  
 D735,998 S \* 8/2015 Booth ..... D4/108  
 9,204,948 B2 12/2015 Kloster  
 D756,123 S \* 5/2016 Nguyen ..... D4/108  
 D756,816 S \* 5/2016 Langton ..... D10/65

9,561,092 B2 2/2017 Sauer et al.  
 D780,456 S 3/2017 Shigeno et al.  
 9,655,435 B2 5/2017 Kraemer et al.  
 D790,996 S \* 7/2017 Farley ..... D10/104.2  
 D793,738 S \* 8/2017 Nguyen ..... D4/108  
 D799,835 S \* 10/2017 Okai ..... D4/101  
 D818,273 S \* 5/2018 Okada ..... D4/101  
 2002/0120991 A1 9/2002 Cacka et al.  
 2002/0129454 A1 9/2002 Hilscher et al.  
 2008/0216258 A1 9/2008 Kressner et al.  
 2009/0013489 A1 1/2009 Binet et al.  
 2009/0072554 A1 \* 3/2009 Arguin ..... G09F 3/0317  
 292/327  
 2010/0043156 A1 2/2010 Kressner  
 2010/0106336 A1 4/2010 Hwang et al.  
 2010/0170051 A1 7/2010 Kressner  
 2010/0223746 A1 9/2010 Mueller  
 2010/0251493 A1 10/2010 Sale et al.  
 2010/0313371 A1 12/2010 Kaczmarek  
 2011/0114514 A1 \* 5/2011 Bagozzi ..... A61F 2/0095  
 206/216  
 2013/0180539 A1 \* 7/2013 Bowie ..... A46B 11/0027  
 132/200  
 2013/0239349 A1 \* 9/2013 Knights ..... A46B 15/0006  
 15/167.1  
 2014/0076633 A1 3/2014 Terracina et al.  
 2014/0115801 A1 5/2014 Haynes et al.  
 2014/0366289 A1 \* 12/2014 Shimoyama ..... A61C 17/3481  
 15/22.1  
 2015/0113747 A1 4/2015 May et al.  
 2015/0044629 A1 5/2015 Wang et al.  
 2015/0164625 A1 6/2015 Kressner  
 2015/0230598 A1 8/2015 Bresselschmidt et al.  
 2015/0335145 A1 11/2015 Bloch et al.  
 2016/0081465 A1 3/2016 Metter  
 2016/0143718 A1 5/2016 Serval et al.  
 2016/0250010 A1 \* 9/2016 Hall ..... A61C 17/222  
 15/22.1  
 2017/0151044 A1 6/2017 Okai  
 2017/0188836 A1 7/2017 Xi et al.  
 2017/0273769 A1 9/2017 Dengler et al.  
 2017/0326909 A1 \* 11/2017 Ferman ..... B60B 3/165  
 2018/0228276 A1 \* 8/2018 Gregori ..... A46B 5/0016  
 2018/0368776 A1 \* 12/2018 Kerem ..... A61B 5/6887

FOREIGN PATENT DOCUMENTS

CN 304124146 5/2017  
 CN 304276474 9/2017  
 EM 002012328-0002 3/2012  
 EM 001333496-0001 6/2012  
 EM 002218651-0001 4/2013  
 EM 002218651-0002 4/2013  
 WO WO200132053 5/2001  
 WO WO2006062187 6/2006  
 WO WO2008053441 5/2008  
 WO WO2010119688 10/2010  
 WO WO2010142098 12/2010  
 WO WO2013001462 3/2013  
 WO WO2016174251 11/2016  
 WO WO2017029469 2/2017

\* cited by examiner



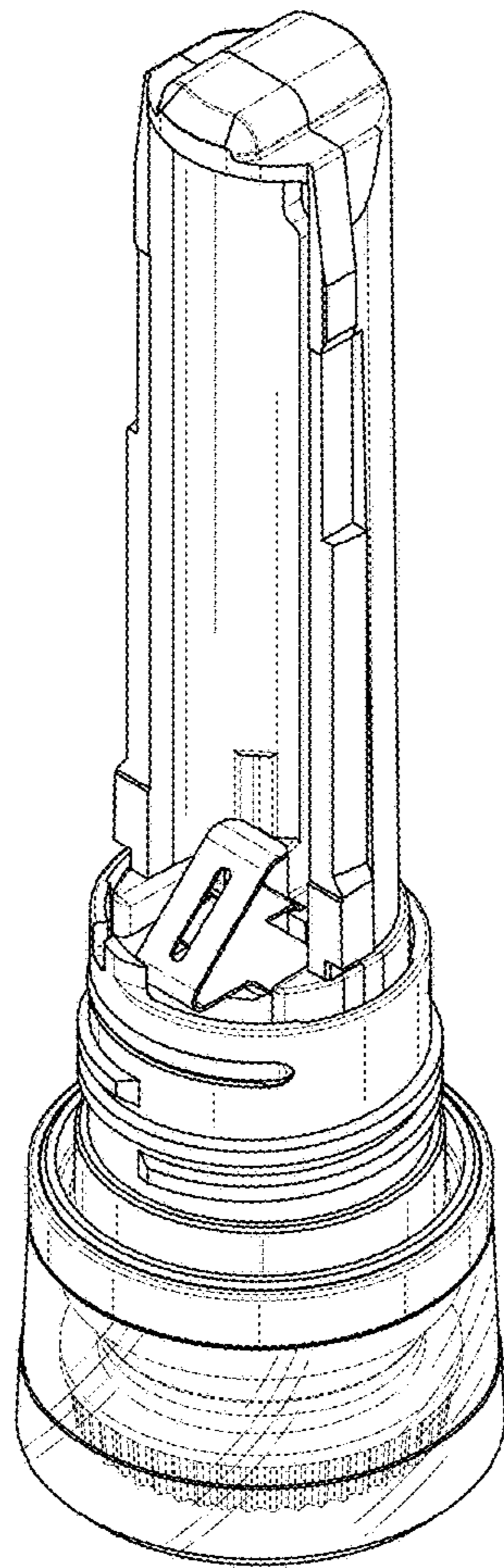


FIG. 1

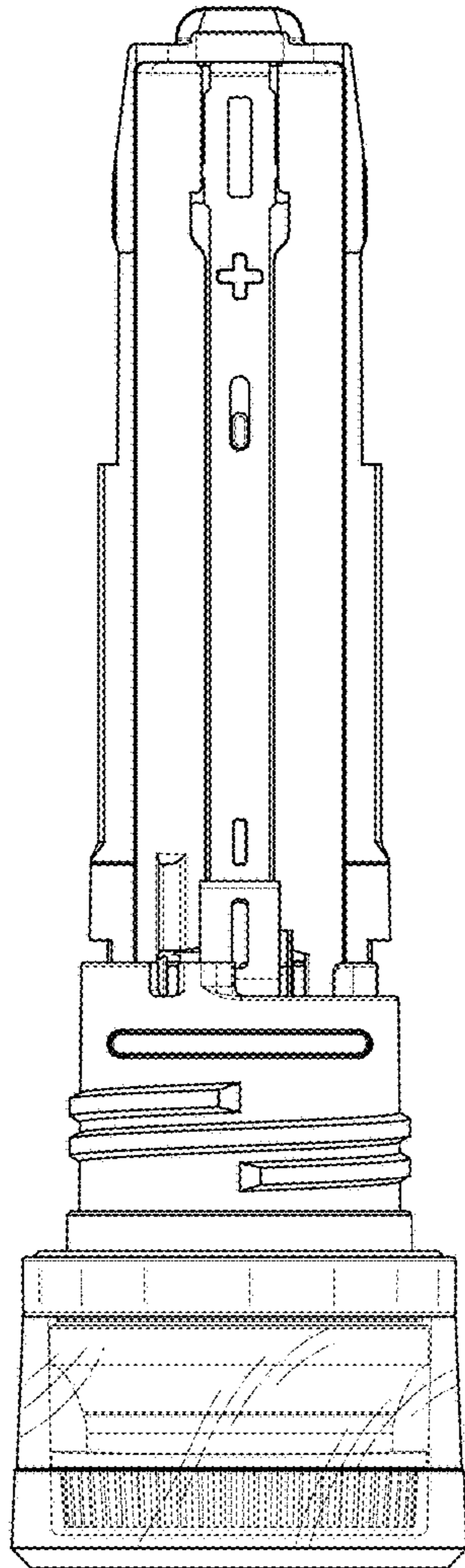


FIG. 2

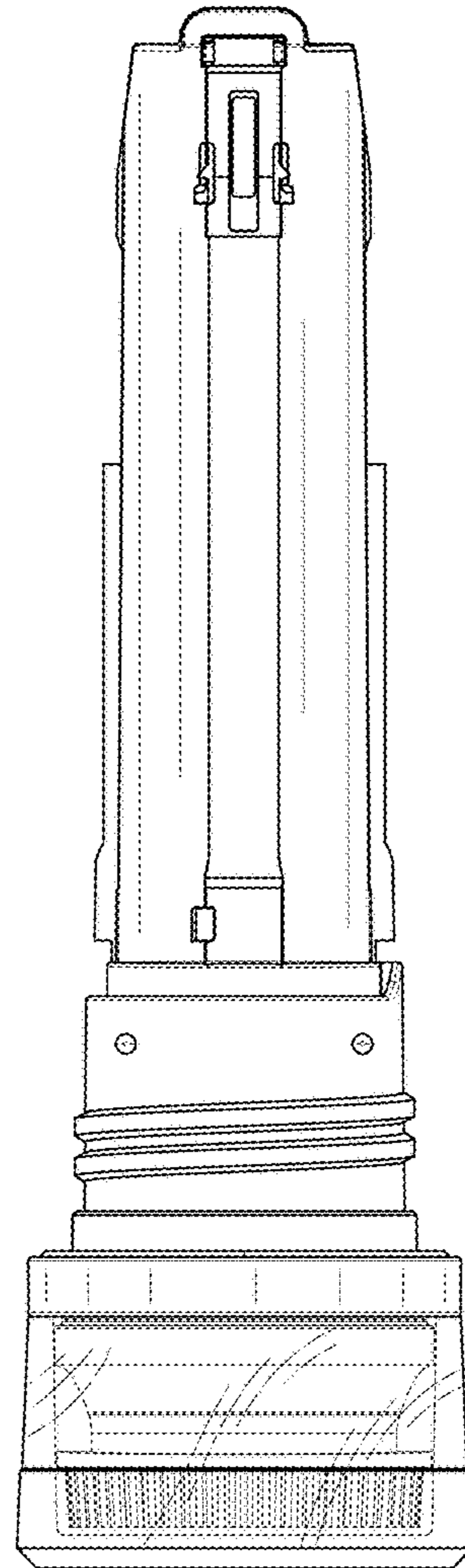


FIG. 3

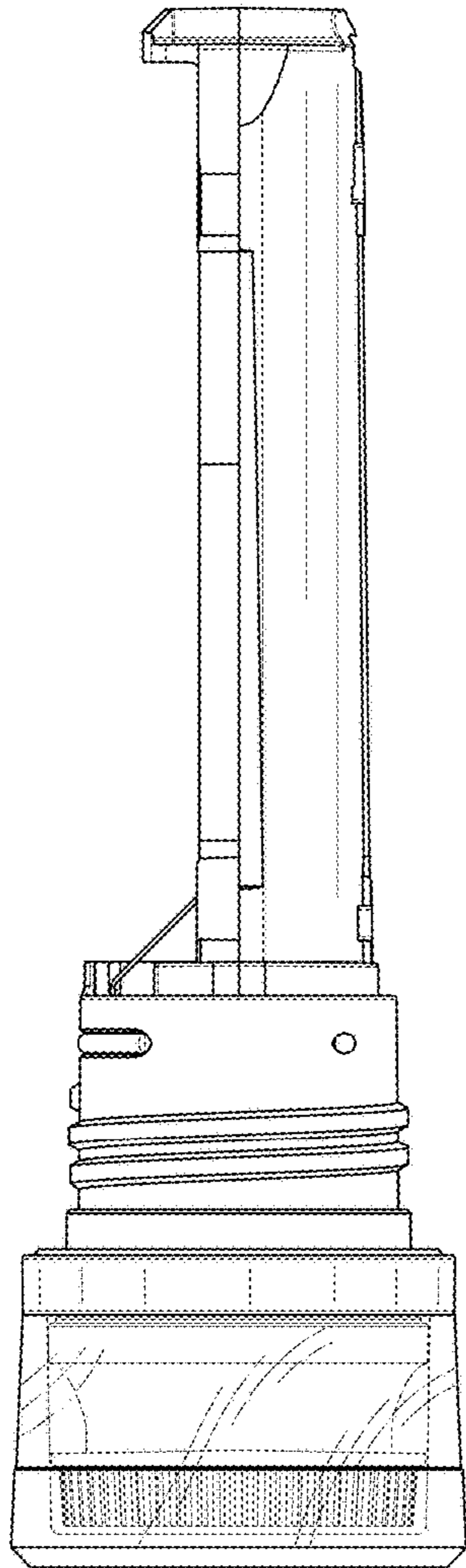


FIG. 4

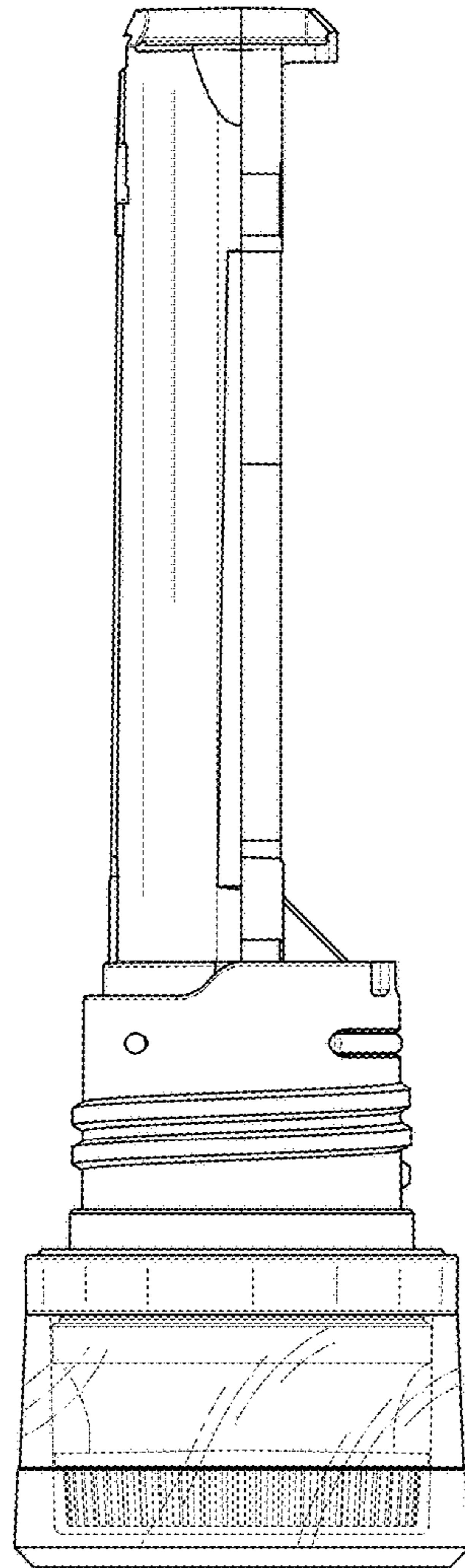


FIG. 5

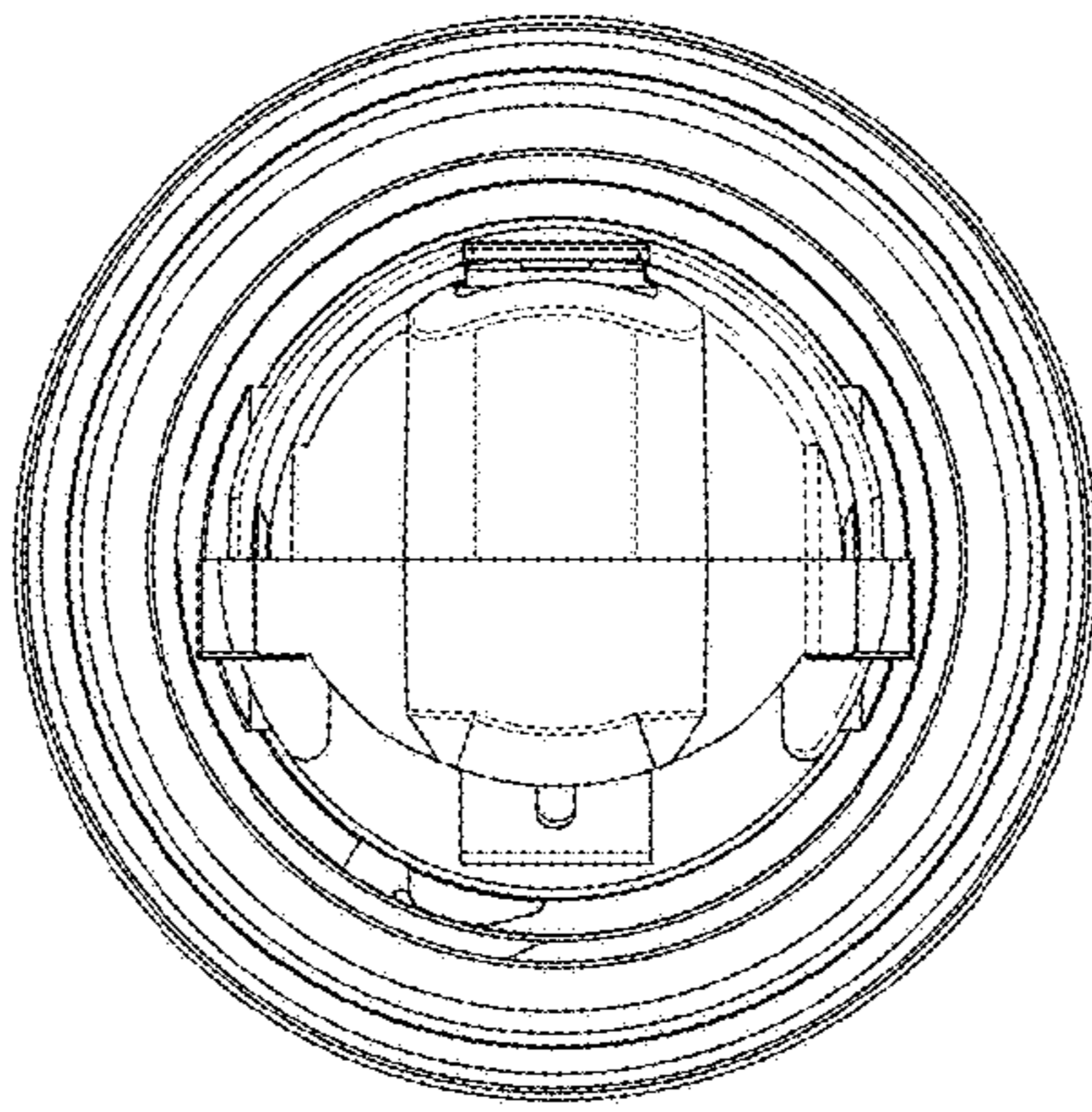


FIG. 6

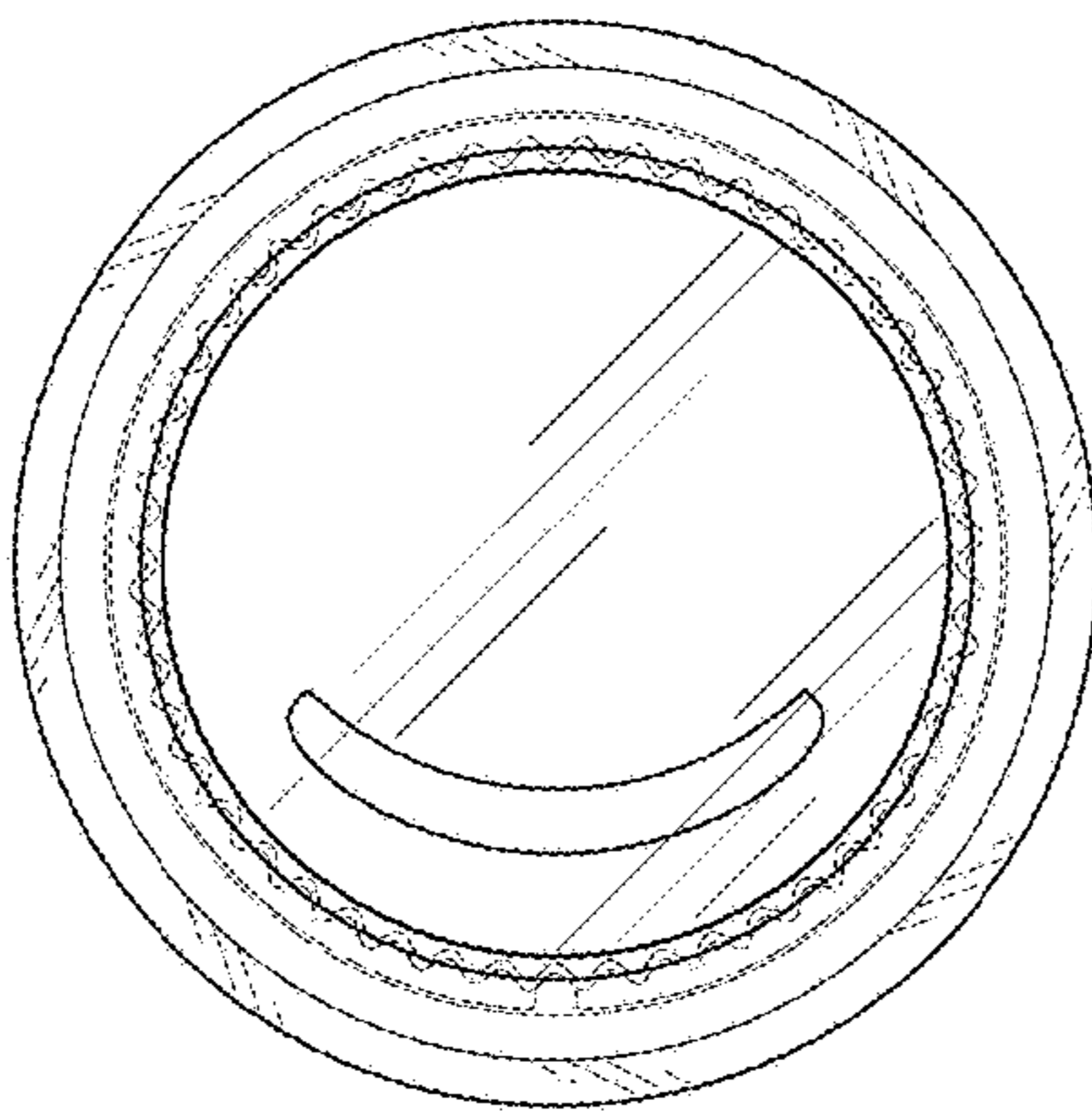


FIG. 7

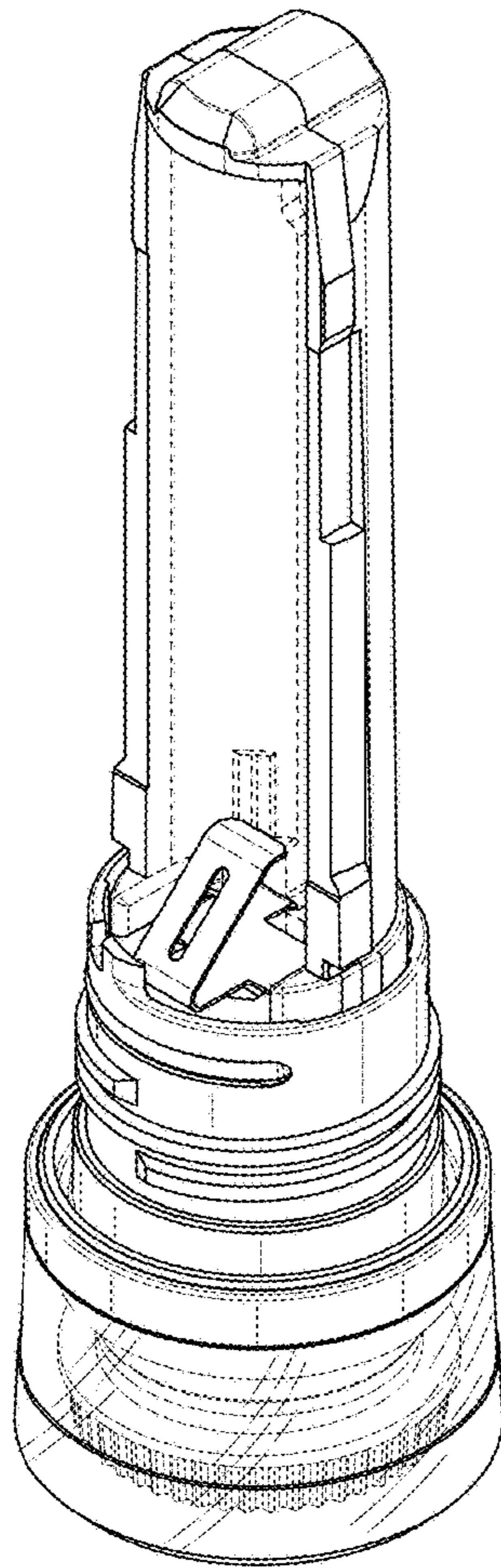


FIG. 8



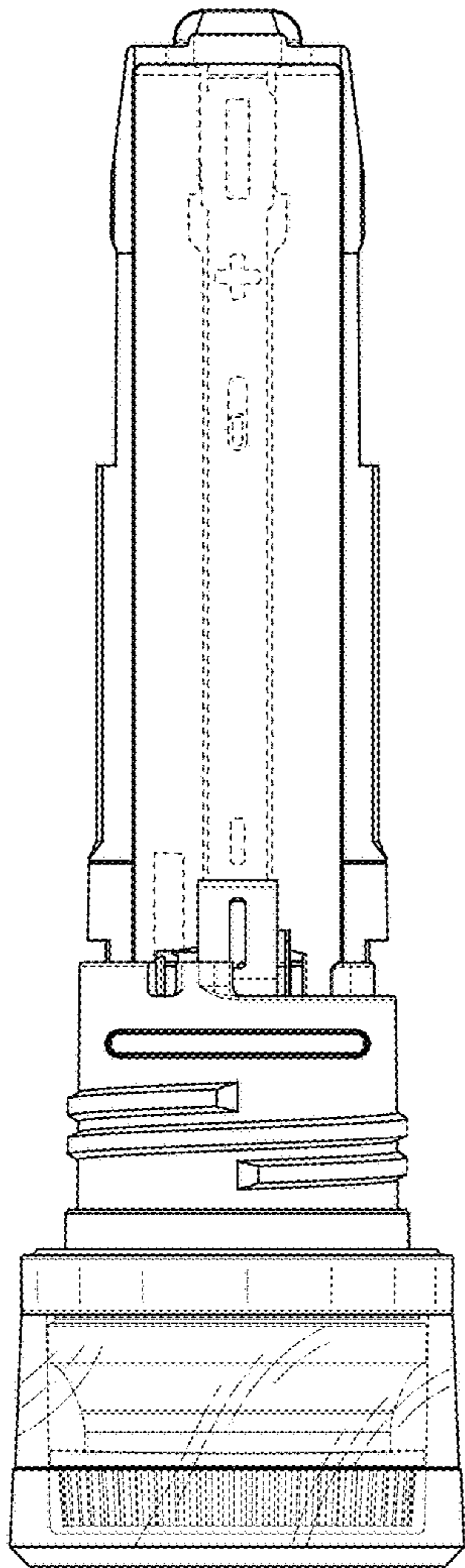


FIG. 9

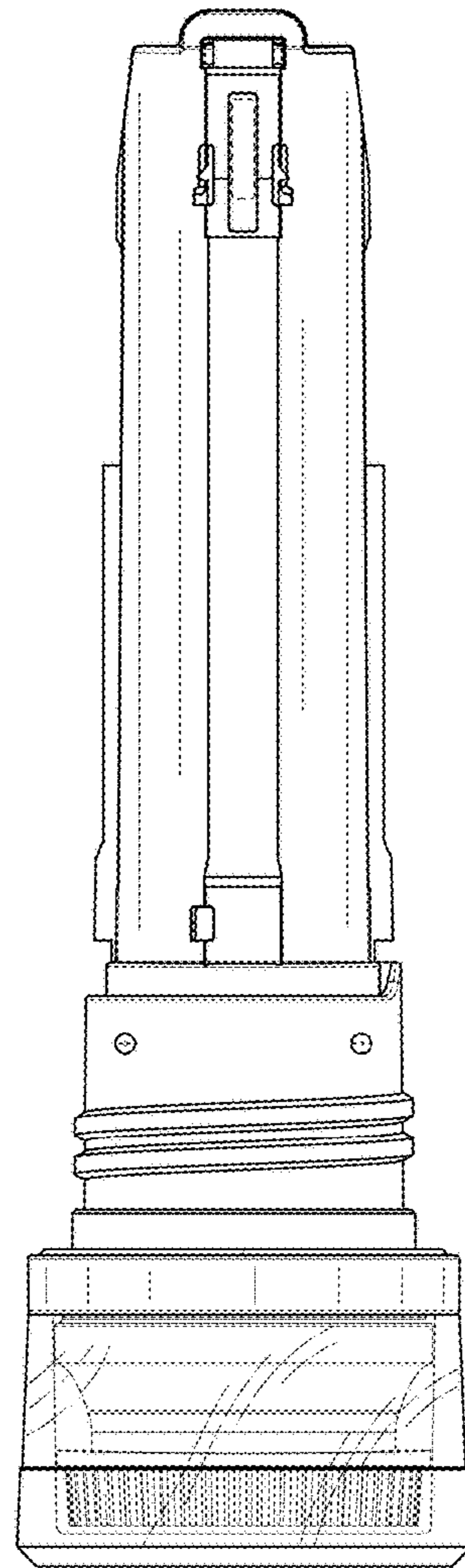


FIG. 10



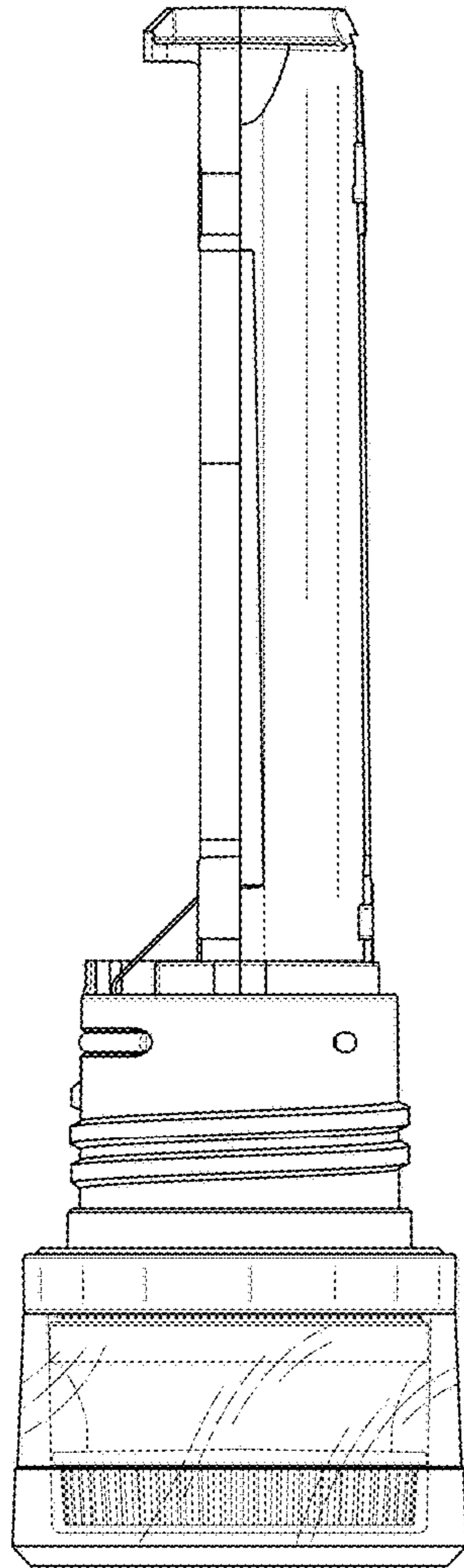


FIG. 11

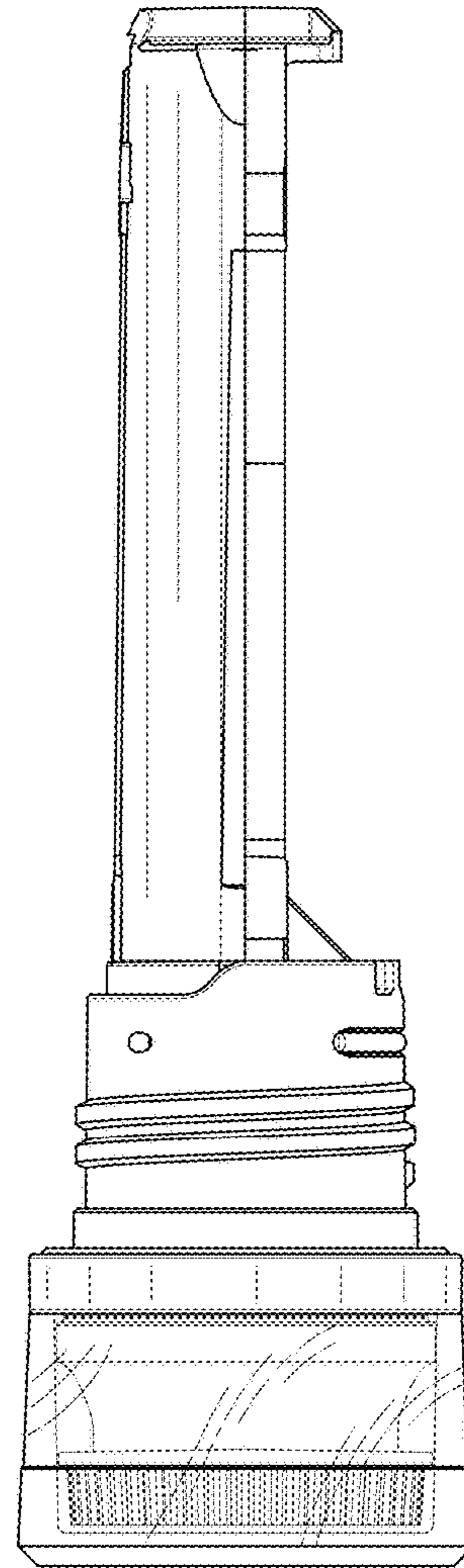


FIG. 12

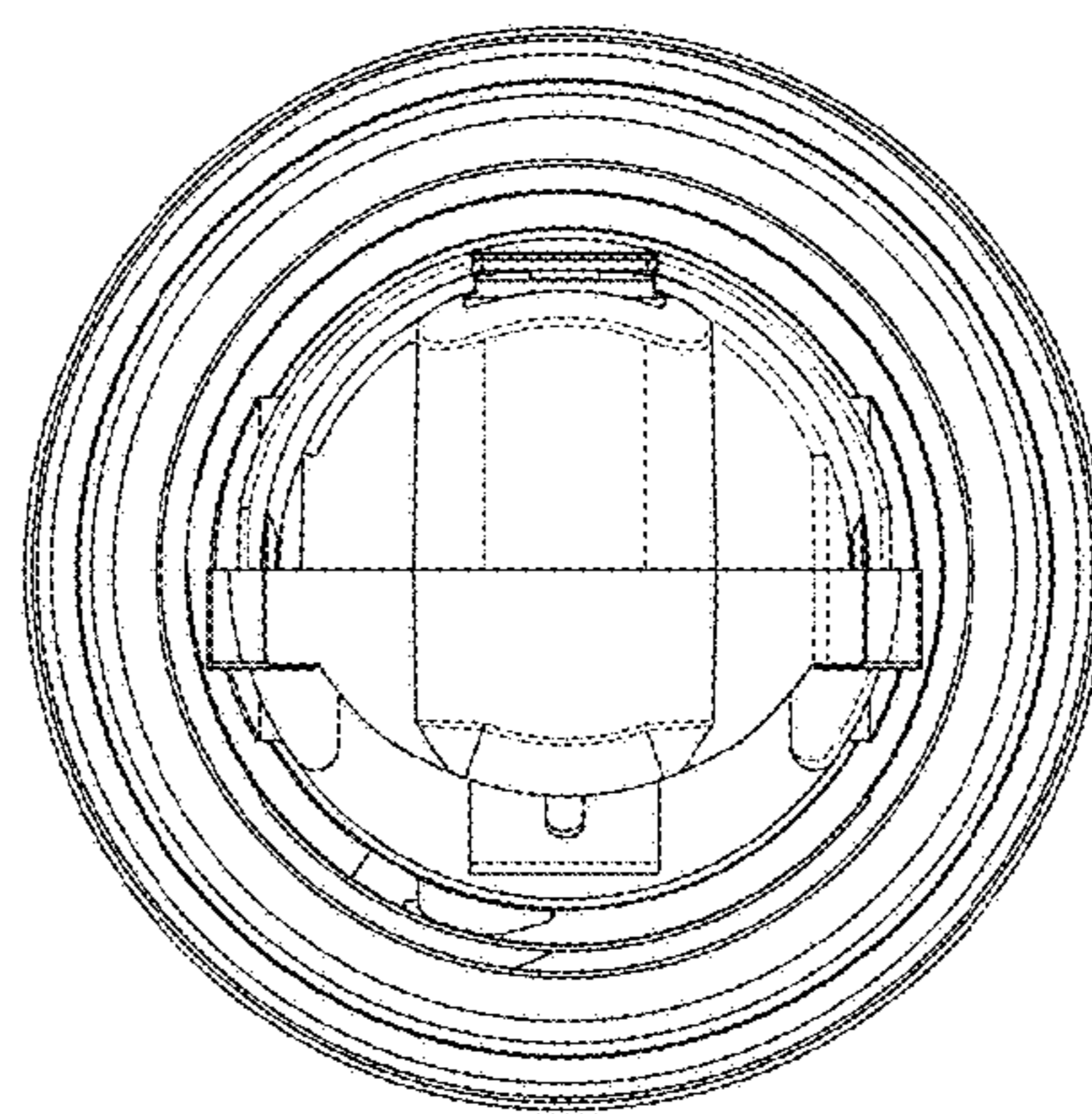


FIG. 13

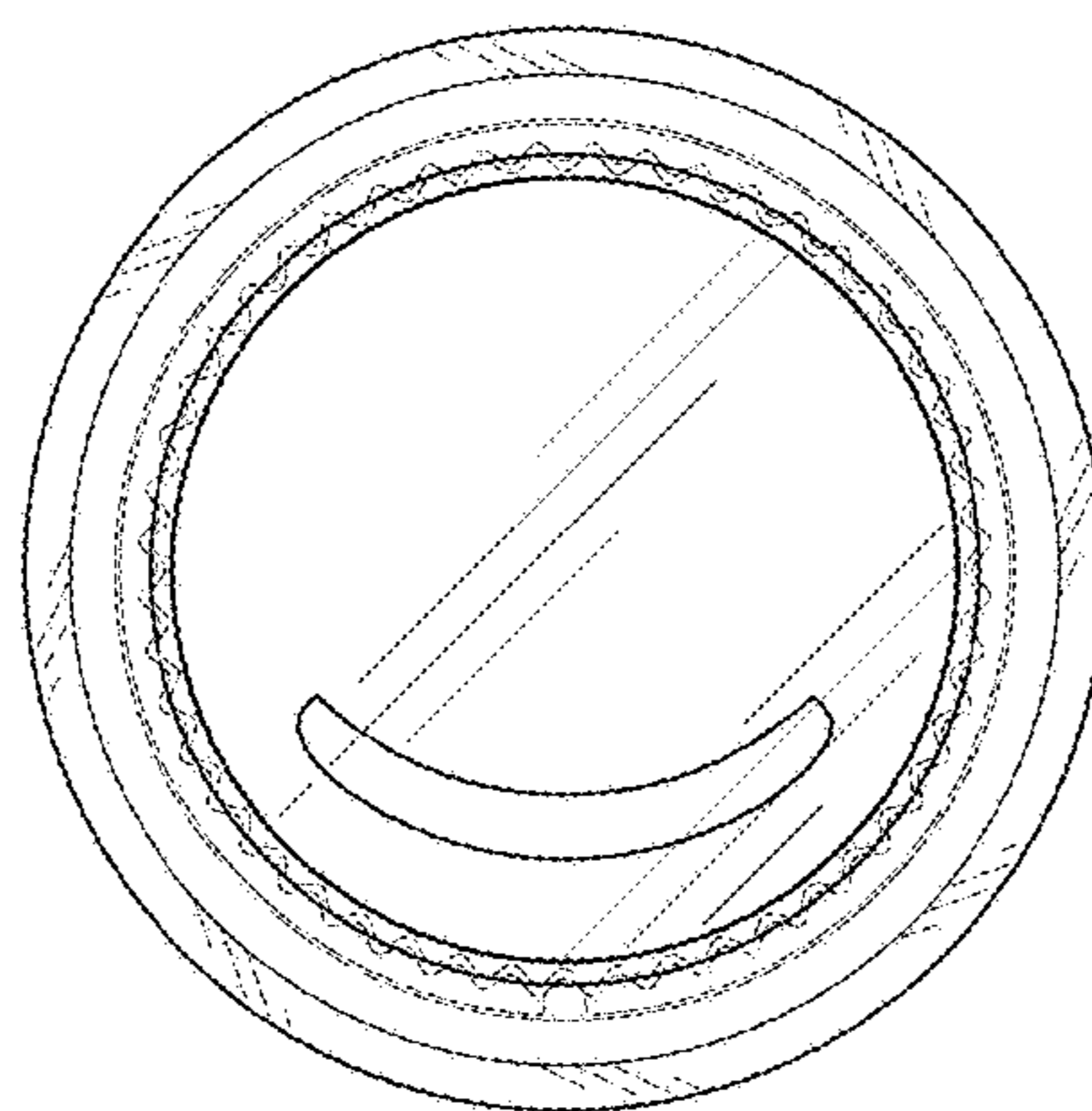


FIG. 14