



US00D858996S

(12) **United States Design Patent** (10) **Patent No.:** **US D858,996 S**
Thompson et al. (45) **Date of Patent:** **** Sep. 10, 2019**

(54) **LOCK FOR HANDBAGS**

(71) Applicant: **MULBERRY COMPANY (DESIGN) LTD**, Bath (GB)
(72) Inventors: **Laura Thompson**, London (GB);
Victoria Gonzalez, London (GB)
(73) Assignee: **MULBERRY COMPANY (DESIGN) LTD**, Bath (GB)
(**) Term: **15 Years**

(21) Appl. No.: **35/503,928**

(22) Filed: **Oct. 27, 2017**

(80) **Hague Agreement Data**

Int. Filing Date: **Oct. 27, 2017**
Int. Reg. No.: **DM/098270**
Int. Reg. Date: **Oct. 27, 2017**
Int. Reg. Pub. Date: **Nov. 10, 2017**

(30) **Foreign Application Priority Data**

May 2, 2017 (EM) 003921006-0001

(51) **LOC (12) Cl.** **03-01**

(52) **U.S. Cl.**
USPC **D3/318**

(58) **Field of Classification Search**
USPC D3/226, 229, 230, 232–233, 240–243,
D3/245–246, 318, 321–328; D8/330,
D8/331, 341, 343–346, 349
See application file for complete search history.

(56) **References Cited**

U.S. PATENT DOCUMENTS

D384,814 S * 10/1997 Romigialli D3/318
5,774,948 A * 7/1998 Petschke B60P 7/0807
24/265 AL
D454,691 S * 3/2002 Proot D3/318
D565,930 S * 4/2008 Peng D8/331

(Continued)

OTHER PUBLICATIONS

WIPO; Korean Office Notification of Refusal in International Registration No. DM/098270, dated Nov. 1, 2018, 4 pages.

(Continued)

Primary Examiner — Manpreet S Matharu

Assistant Examiner — Holly E Thurman

(74) *Attorney, Agent, or Firm* — Moore & Van Allen PLLC; Henry B. Ward, III

(57) **CLAIM**

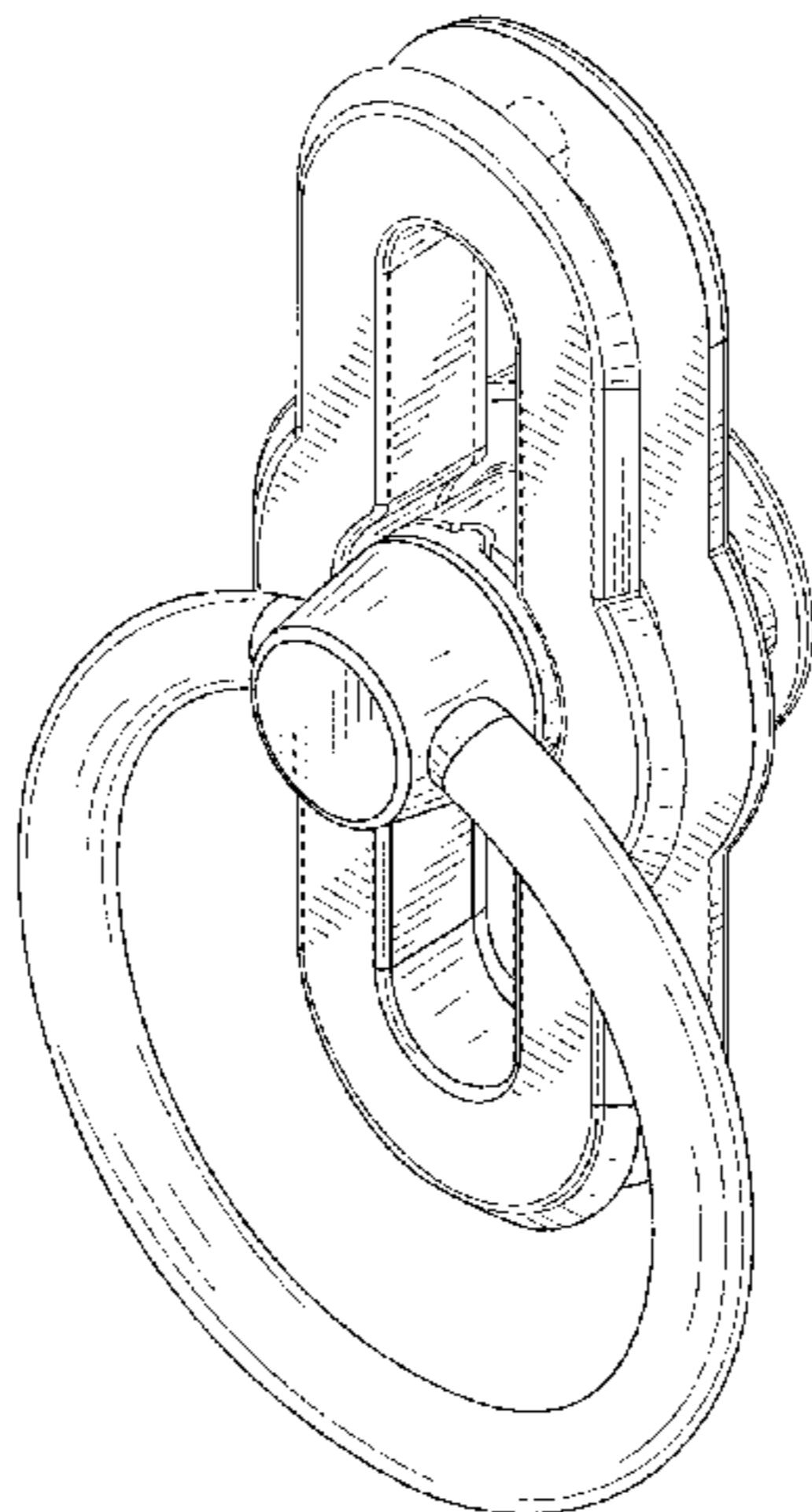
The ornamental design for a lock for handbags, as shown and described.

DESCRIPTION

Figure 1.1 is a front, top, and left-side perspective view of a lock for handbags according to the present invention; Figure 1.2 is a rear, top, and right-side perspective view of the lock shown in Figure 1; Figure 1.3 is a front elevational view of the lock shown in Figure 1; Figure 1.4 is a right-side elevational view of the lock shown in Figure 1; Figure 1.5 is a left-side elevational view of the lock shown in Figure 1; Figure 1.6 is a bottom plan view of the lock shown in Figure 1; Figure 1.7 is a top plan view of the lock shown in Figure 1; and Figure 1.8 is a rear elevational view of the lock shown in Figure 1.

The surface shading, if any, illustrated in the drawings is provided merely to highlight the contour of the design; it is not intended to be illustrative of texture or gloss. The dashed broken lines are directed to environment and are for illustrative purposes only; broken lines form no part of the claimed invention.

1 Claim, 7 Drawing Sheets



(56)

References Cited

U.S. PATENT DOCUMENTS

| | | | | | | |
|--------------|----|---|---------|------------------|-------|----------------------|
| D677,555 | S | * | 3/2013 | Cenzano | | D3/318 |
| D695,017 | S | * | 12/2013 | Booth | | D3/318 |
| D698,145 | S | * | 1/2014 | Deneve | | D3/243 |
| D718,536 | S | * | 12/2014 | Guichot | | D3/324 |
| D726,409 | S | * | 4/2015 | Fusi | | D3/243 |
| D801,693 | S | * | 11/2017 | Salvador | | D3/324 |
| D802,929 | S | * | 11/2017 | Morszeck | | D3/318 |
| D820,598 | S | * | 6/2018 | Ettore Tomasetta | | D3/318 |
| 2005/0183478 | A1 | * | 8/2005 | Straka, Jr. | | E05B 13/10 70/208 |

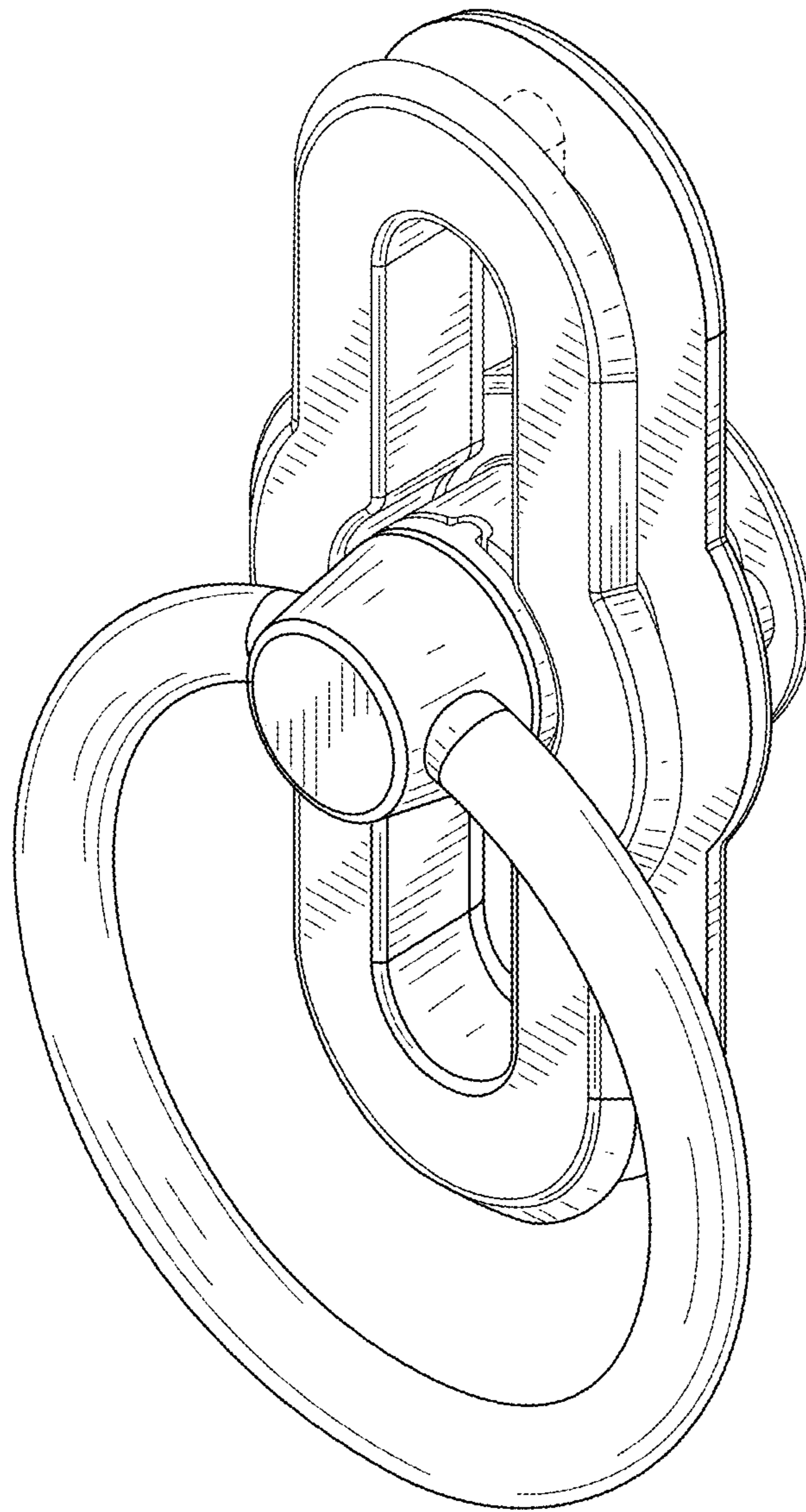
OTHER PUBLICATIONS

WIPO; Japanese Office Notification of Refusal in International Registration No. DM/098270, dated Mar. 21, 2018, 10 pages.

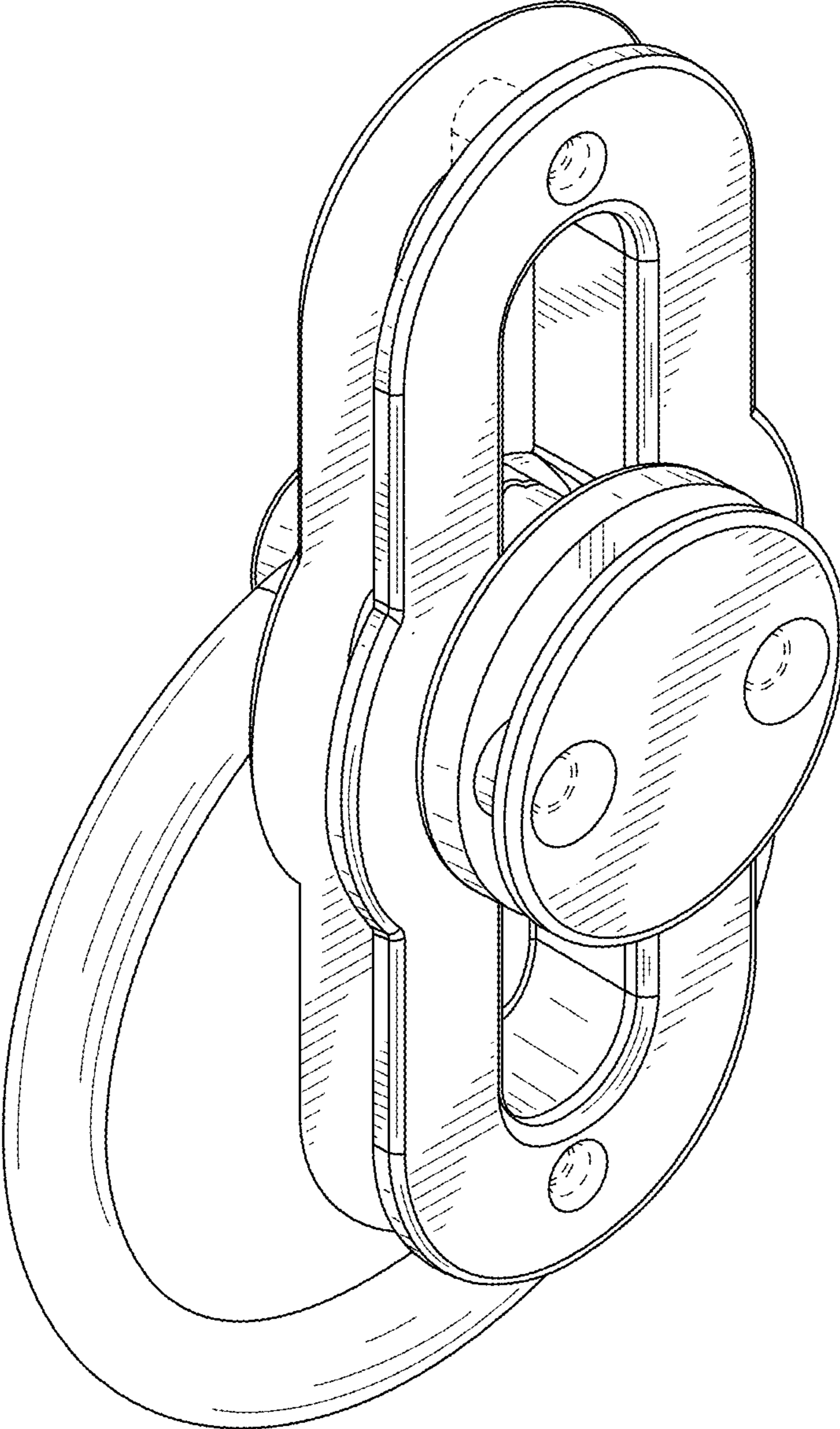
Handbag images—published on Feb. 19, 2017 from internet site: <https://www.gettyimages.co.uk/details/news-photo/model-walks-the-detail-runway-at-the-mulberry-show-during-news-photo/642906714>; 10 pages.

Handbag images—published on Feb. 20, 2017 from internet site: <https://www.spottedfashion.com/2017/02/20/mulberry-fallwinter-2017-runway-bag-collection/>; 18 pages.

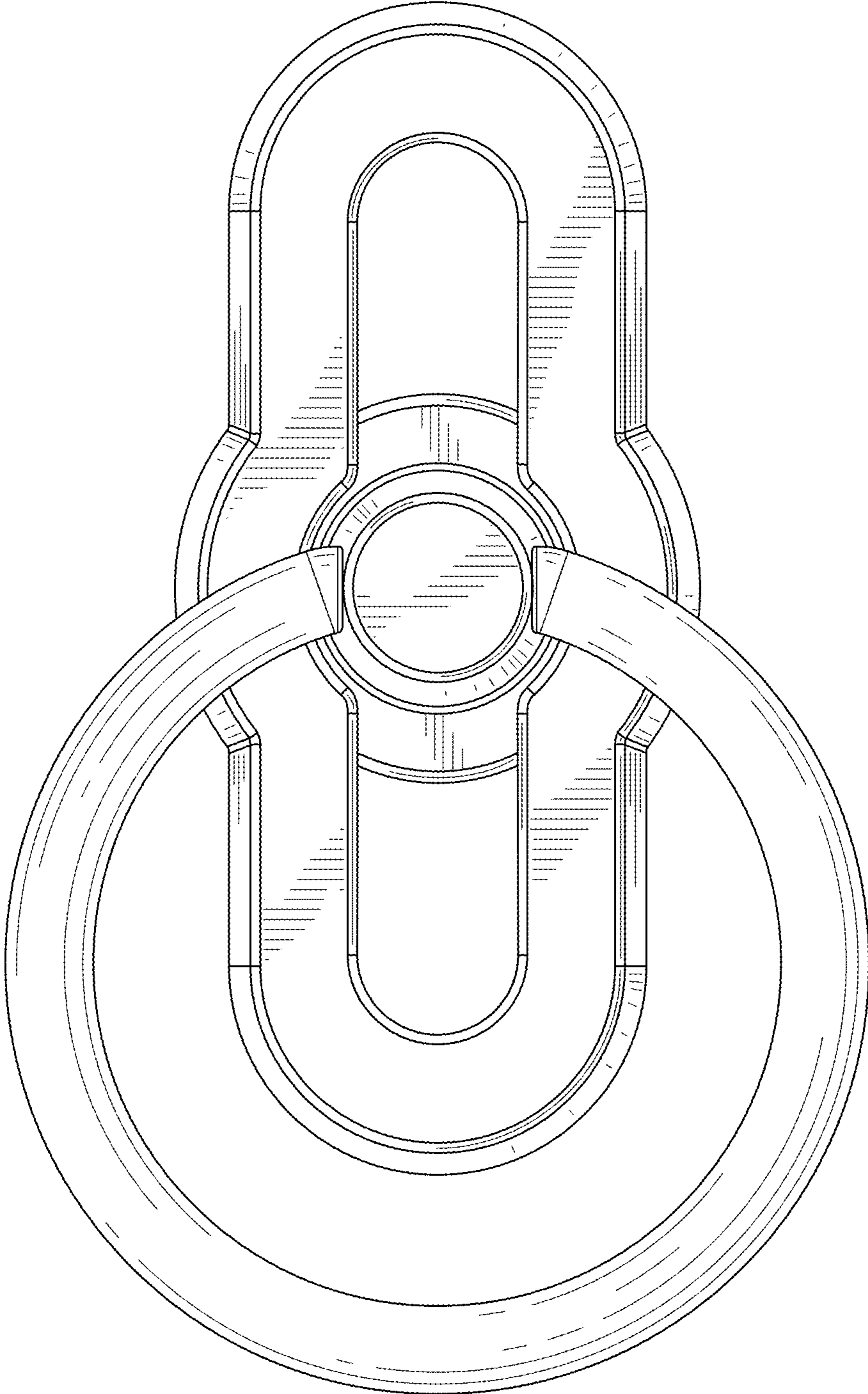
* cited by examiner



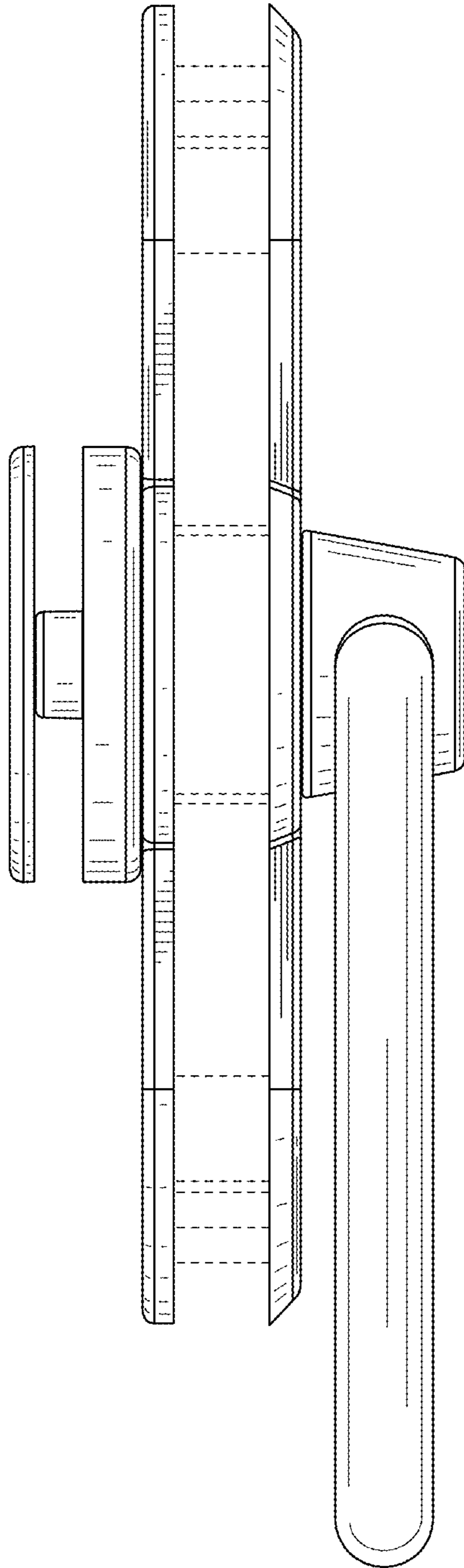
1.1



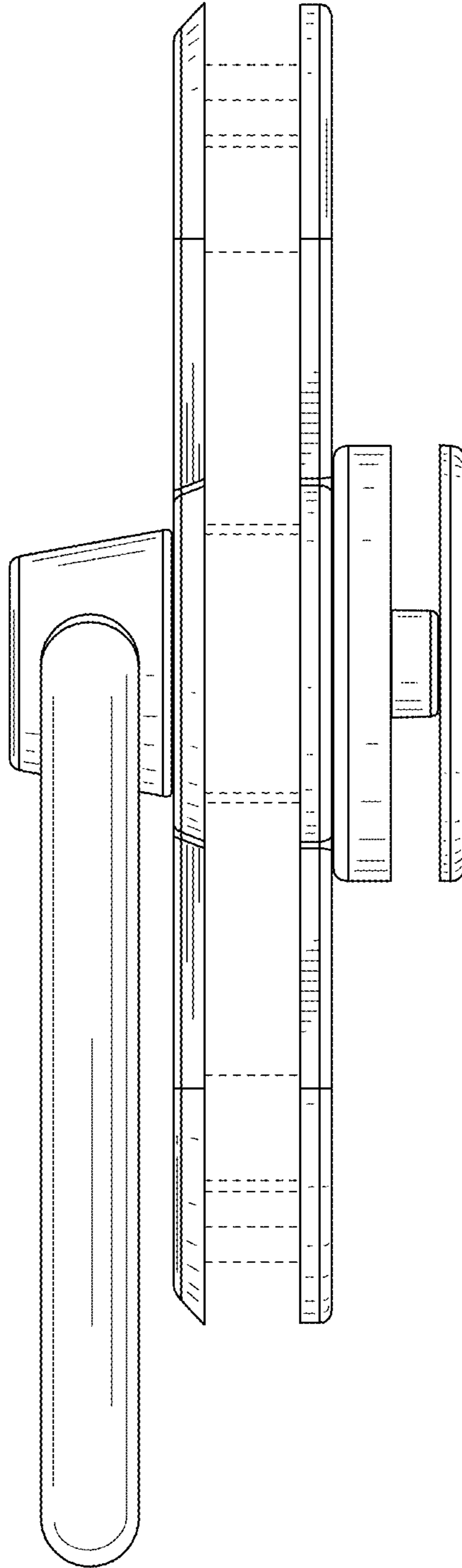
1.2



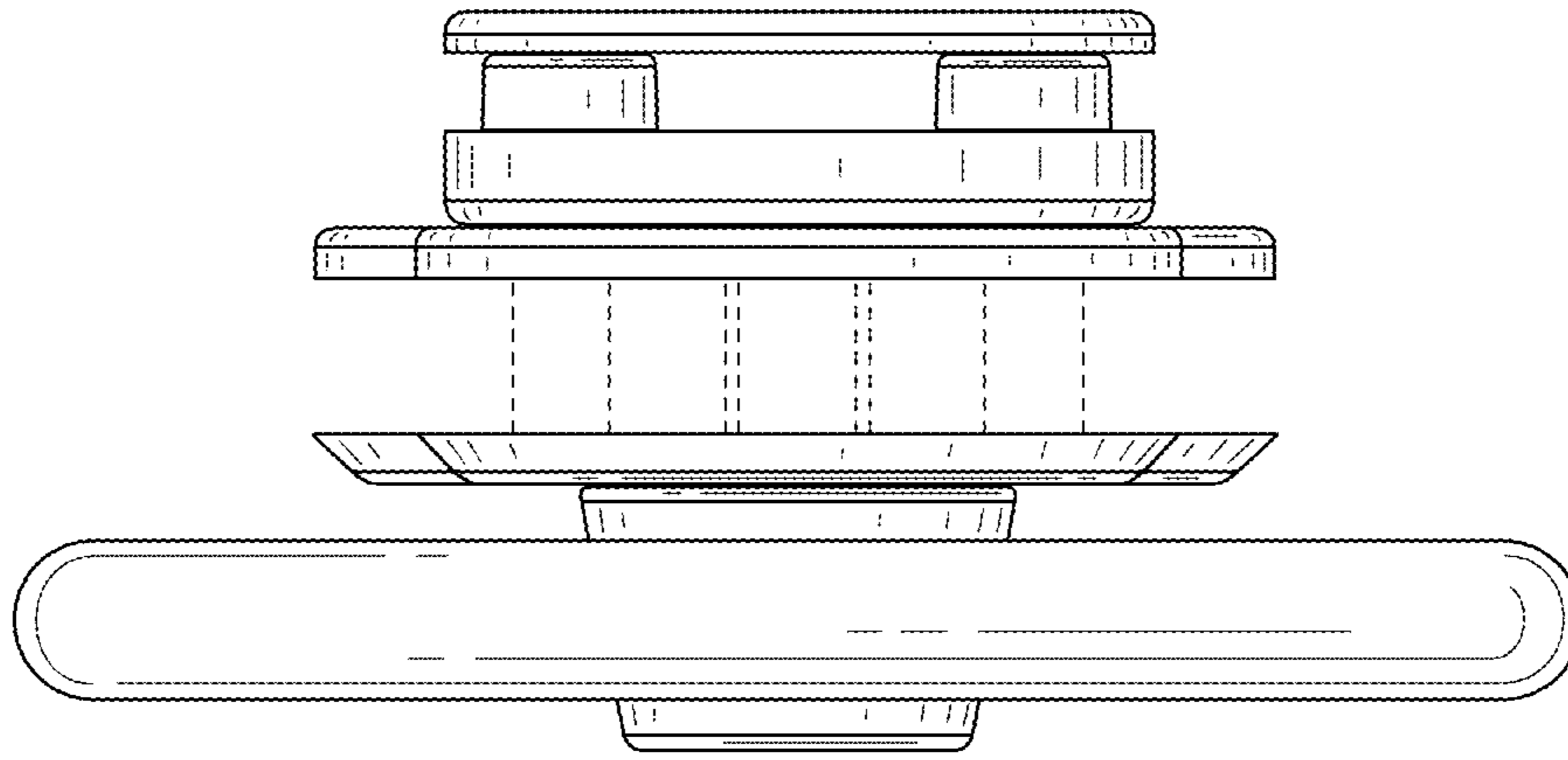
1.3



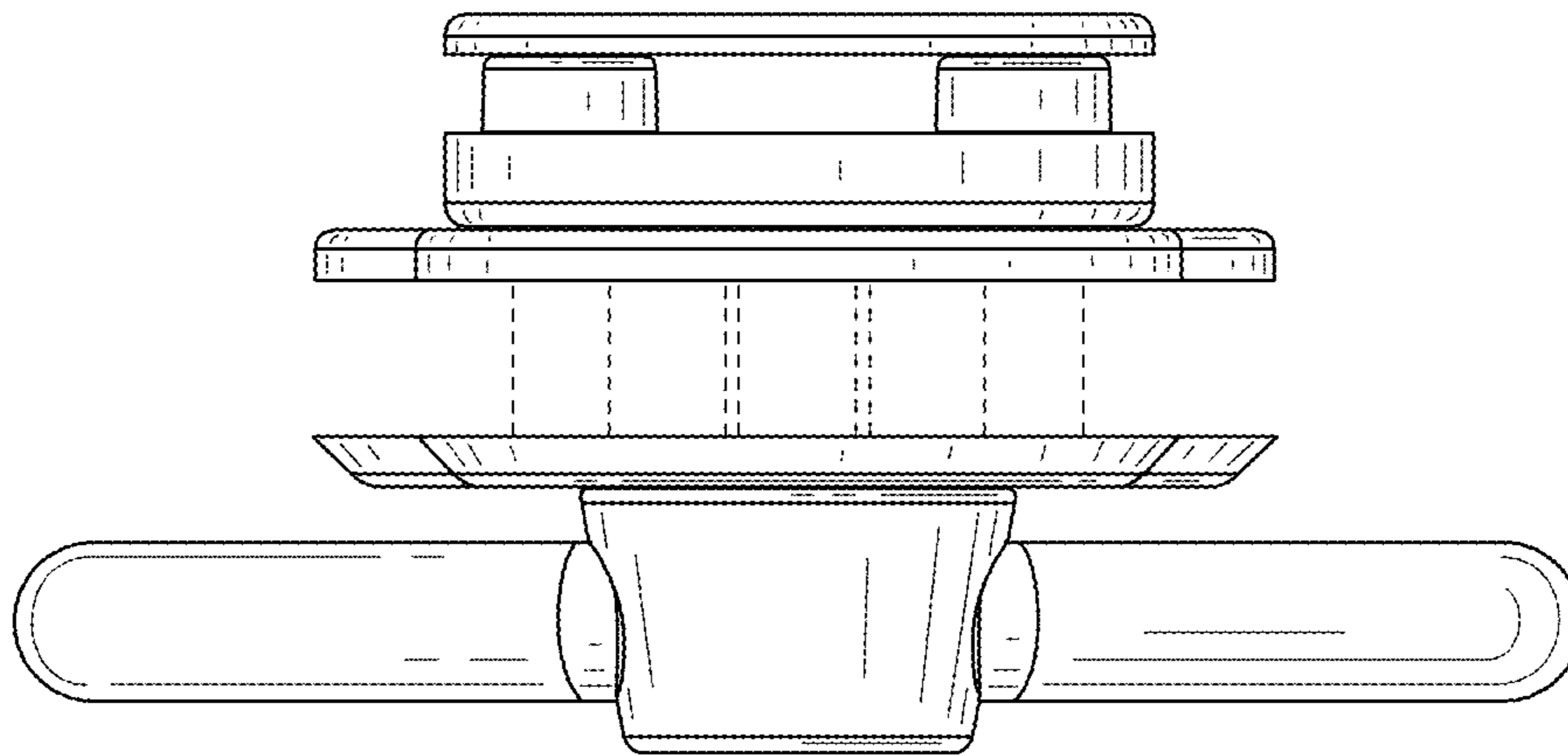
1.4



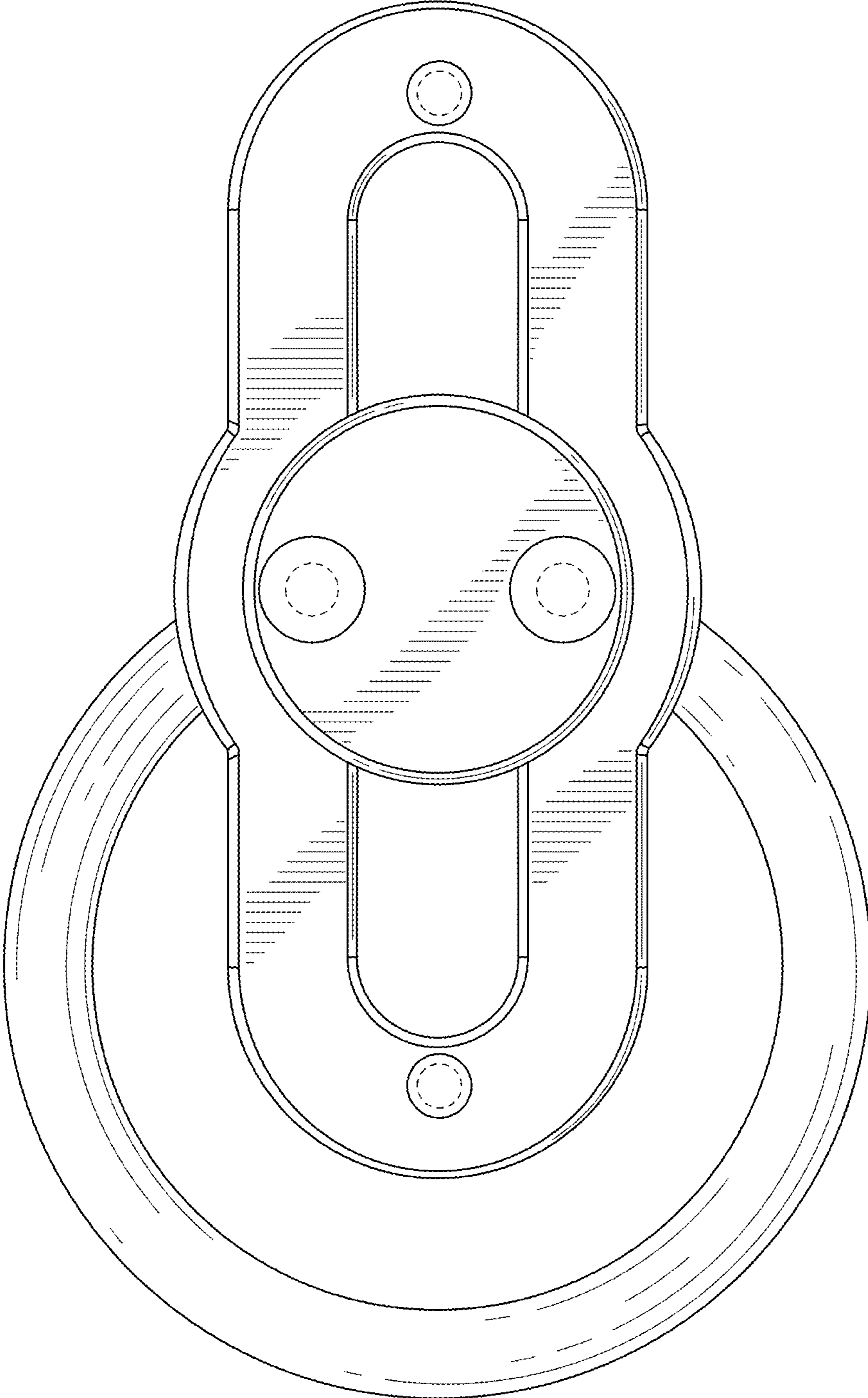
1.5



1.6



1.7



1.8