



US00D858995S

(12) **United States Design Patent** (10) **Patent No.:** **US D858,995 S**  
**Chang** (45) **Date of Patent:** **\*\* Sep. 10, 2019**

(54) **TOOL BOX**  
(71) Applicant: **Yi-Fan Chang**, Taichung (TW)  
(72) Inventor: **Yi-Fan Chang**, Taichung (TW)  
(\*\*) Term: **15 Years**  
(21) Appl. No.: **29/642,937**  
(22) Filed: **Apr. 3, 2018**  
(51) **LOC (12) Cl.** ..... **03-01**  
(52) **U.S. Cl.**  
USPC ..... **D3/318**; D3/273; D3/294  
(58) **Field of Classification Search**  
USPC ..... D3/273, 289, 294, 318  
CPC .. A45C 5/00; A45C 5/14; B65D 21/04; B65D  
21/02; B65D 21/0235; B65D 21/0233;  
B25H 3/02  
See application file for complete search history.

(56) **References Cited**  
U.S. PATENT DOCUMENTS  
6,722,524 B1 \* 4/2004 Huang ..... A45C 13/26  
220/761  
D502,316 S \* 3/2005 Chen ..... D3/273  
D516,309 S \* 3/2006 Richardson ..... D3/273  
D548,971 S \* 8/2007 Lin ..... D3/294  
D563,672 S \* 3/2008 Cornwell ..... D3/294  
D569,616 S \* 5/2008 Lin ..... D3/273  
D578,759 S \* 10/2008 Grenier ..... D3/294  
D579,202 S \* 10/2008 Grenier ..... D3/294  
D601,797 S \* 10/2009 Wenchel ..... D3/294  
D733,429 S \* 7/2015 Grenier ..... D3/294  
D735,995 S \* 8/2015 Lin ..... D3/294

D753,394 S \* 4/2016 Brunner ..... D3/276  
D754,436 S \* 4/2016 Ou ..... D3/282  
D754,439 S \* 4/2016 Ou ..... D3/318  
D789,086 S \* 6/2017 Lin ..... D3/294  
D790,221 S \* 6/2017 Yahav ..... D3/294  
D808,653 S \* 1/2018 Rayeski ..... D3/273  
D816,334 S \* 5/2018 Brunner ..... D3/273

\* cited by examiner

*Primary Examiner* — Holly H Baynham  
(74) *Attorney, Agent, or Firm* — Muncy, Geissler, Olds & Lowe, P.C.

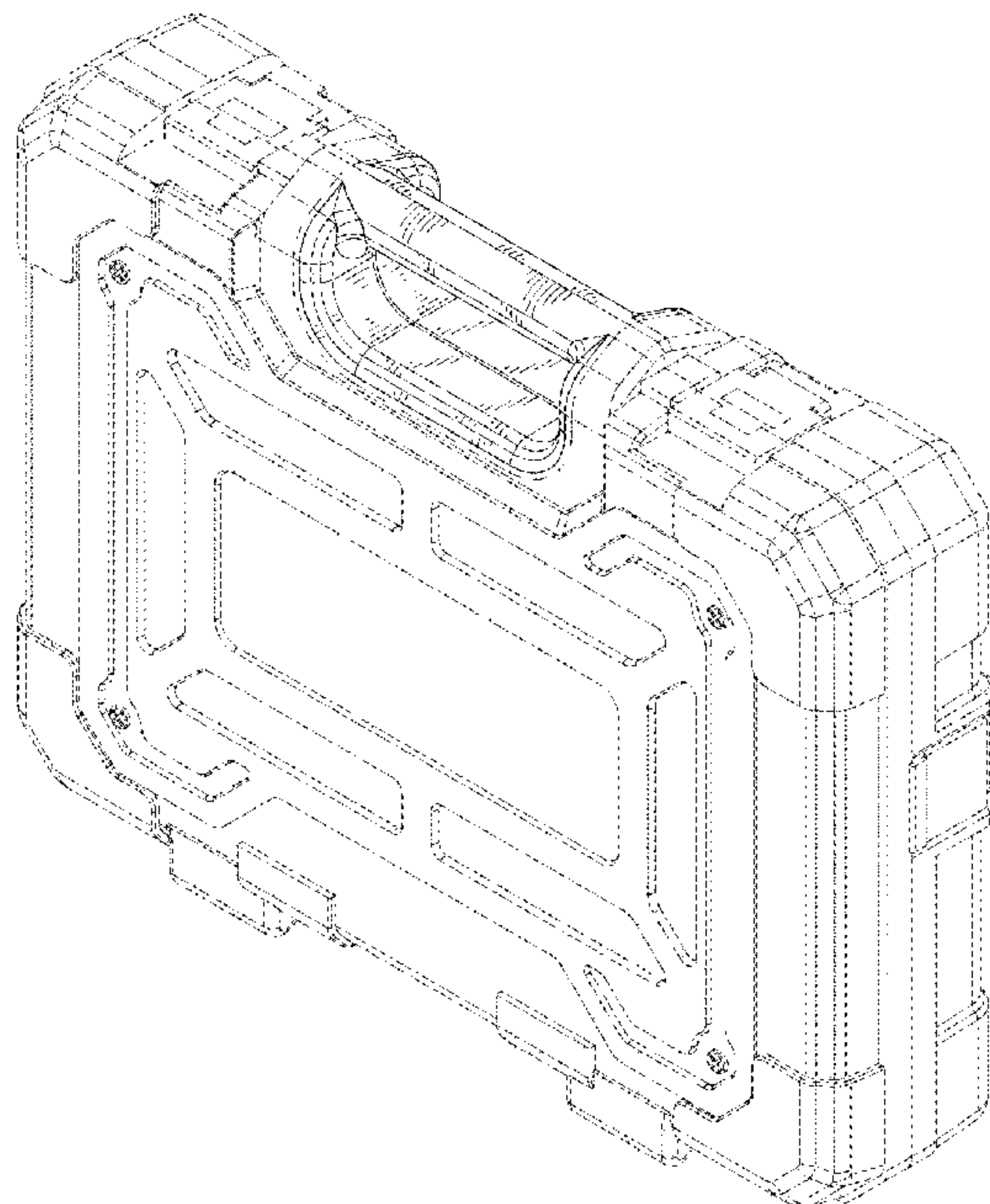
(57) **CLAIM**

I claim the ornamental design for a tool box, as shown and described.

**DESCRIPTION**

FIG. 1 is a right, front, and top perspective view of a tool box showing my new design;  
FIG. 2 is a front elevational view thereof;  
FIG. 3 is a rear elevational view thereof;  
FIG. 4 is a left side view thereof;  
FIG. 5 is a right side view thereof;  
FIG. 6 is a top plan view thereof;  
FIG. 7 is a bottom plan view thereof;  
FIG. 8 is a right, front and bottom perspective view thereof; and,  
FIG. 9 is a right, rear, and top perspective view.  
The broken lines in the drawings illustrate portions of the tool box which form no part of the claimed design.  
The dot dash dot broken lines define the boundaries of the claim and form no part thereof.

**1 Claim, 7 Drawing Sheets**



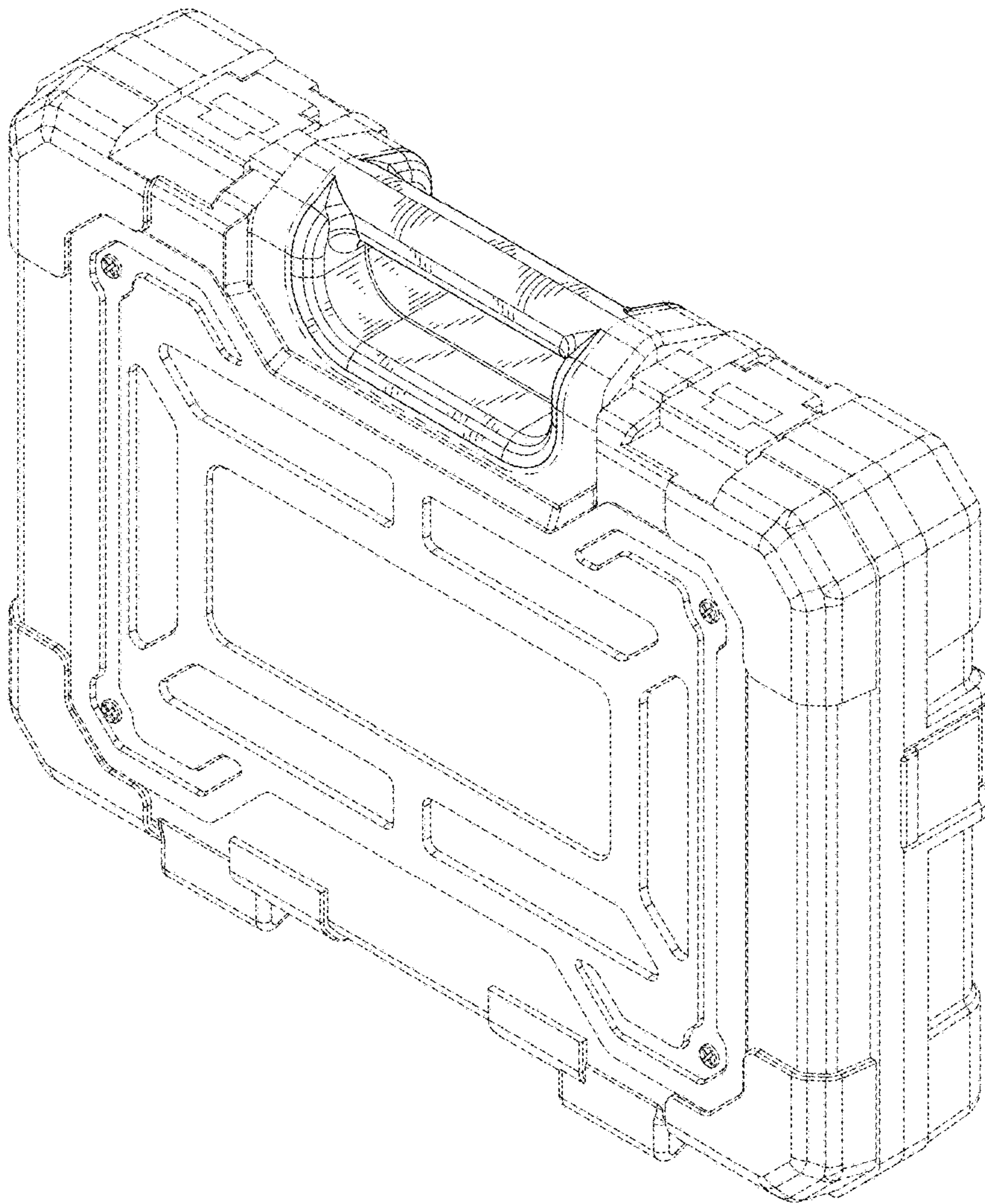


FIG. 1

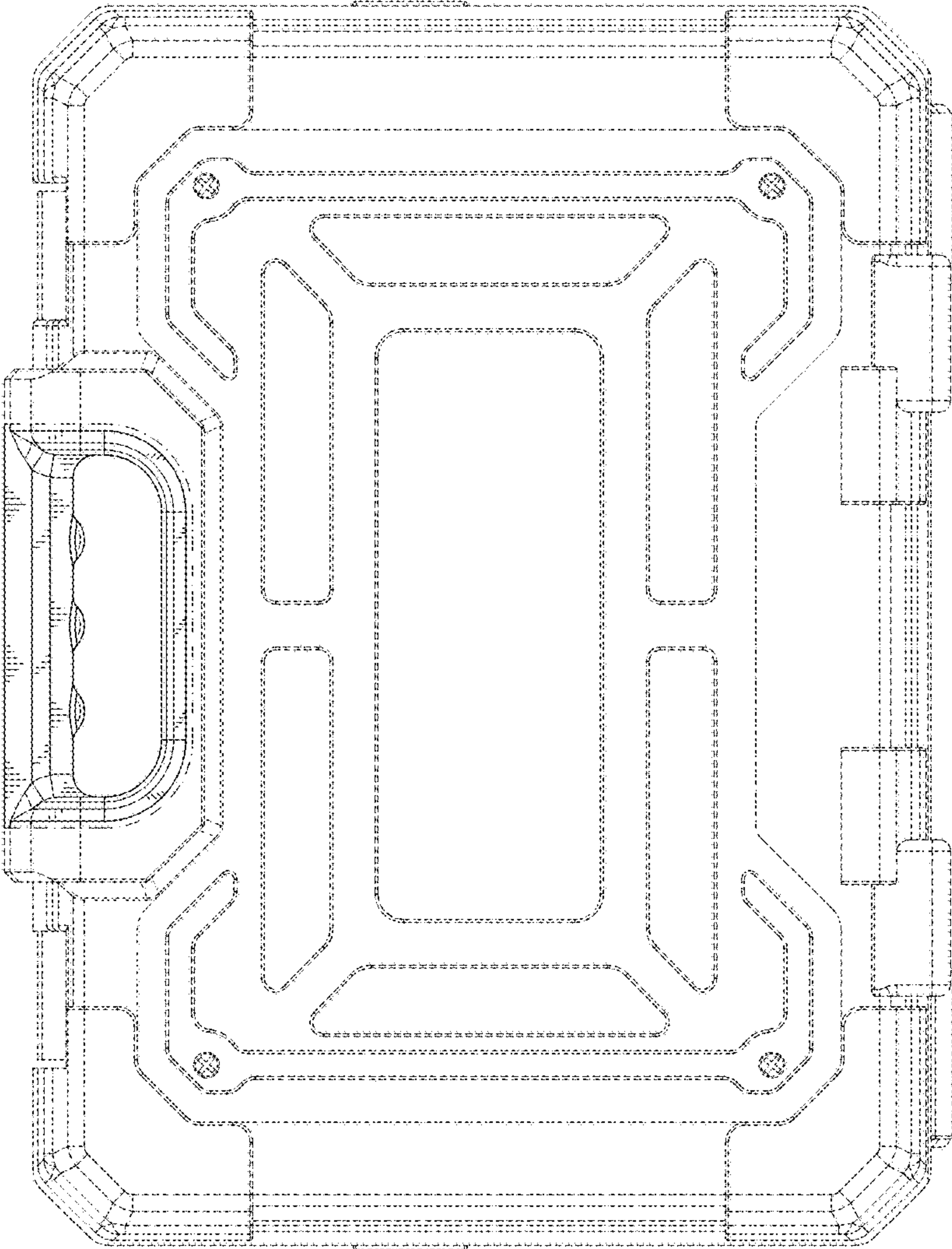


FIG. 2



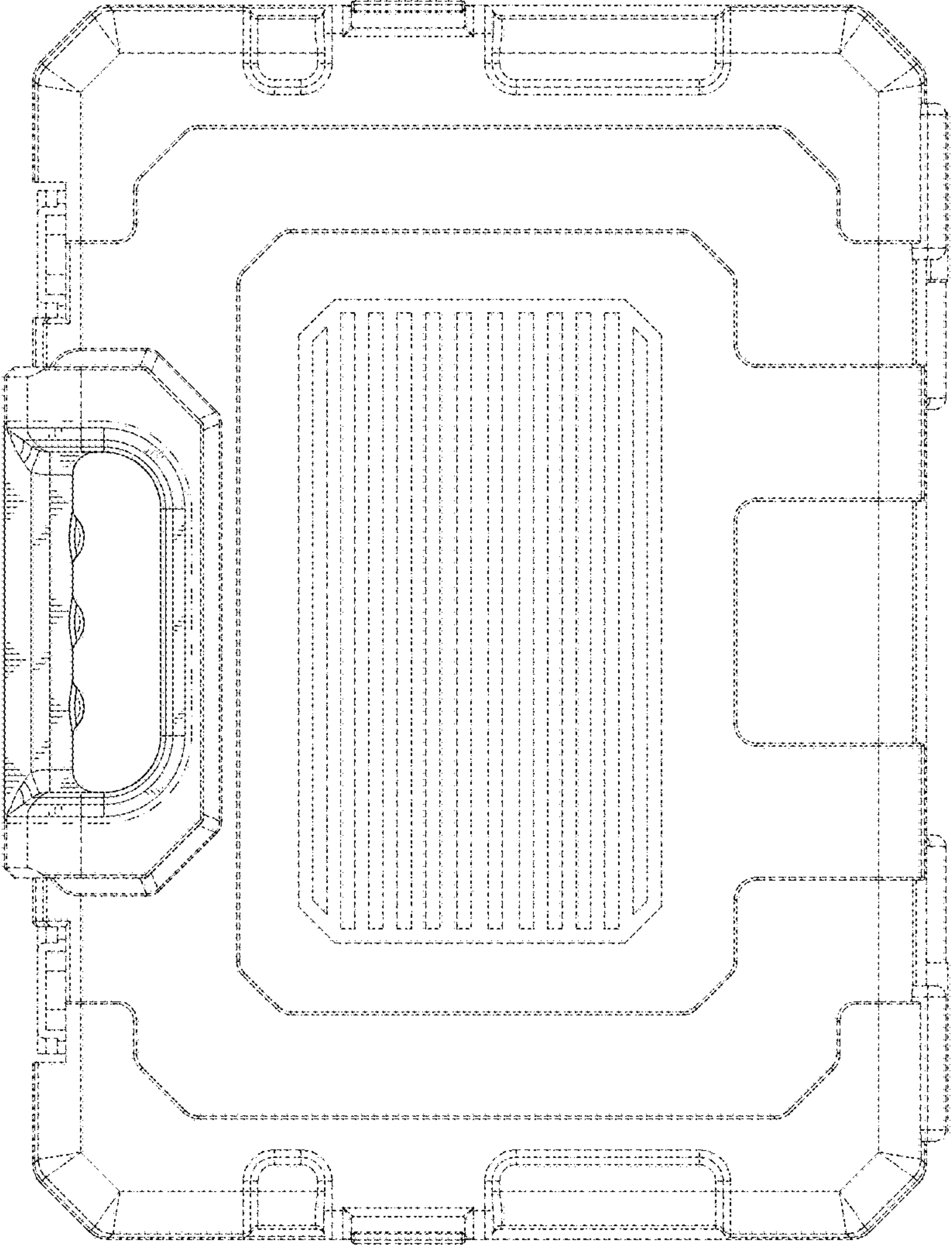


FIG. 3

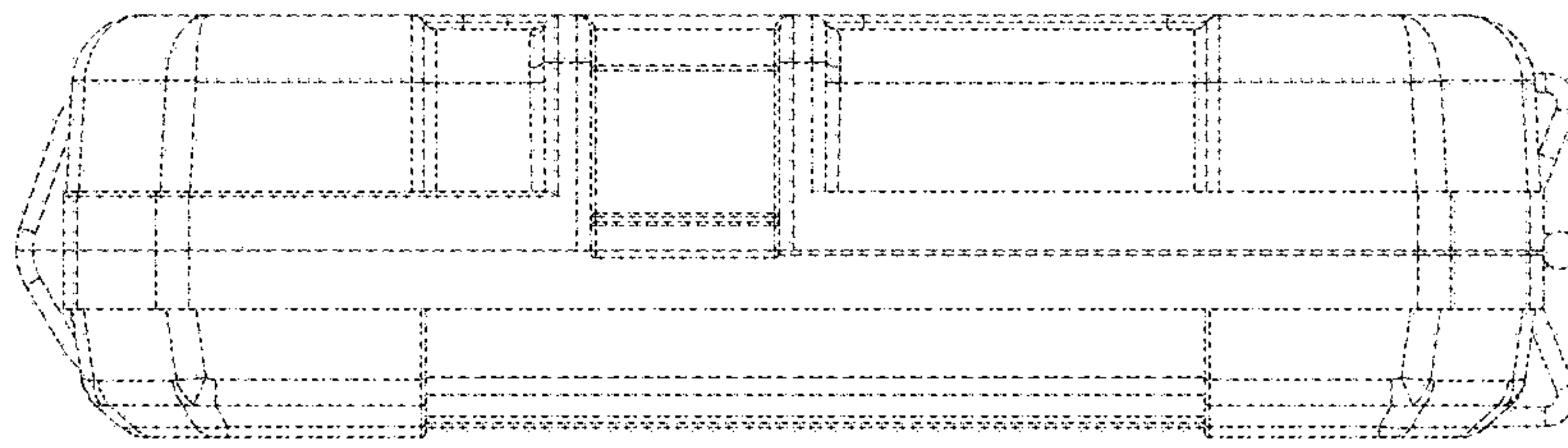


FIG. 5

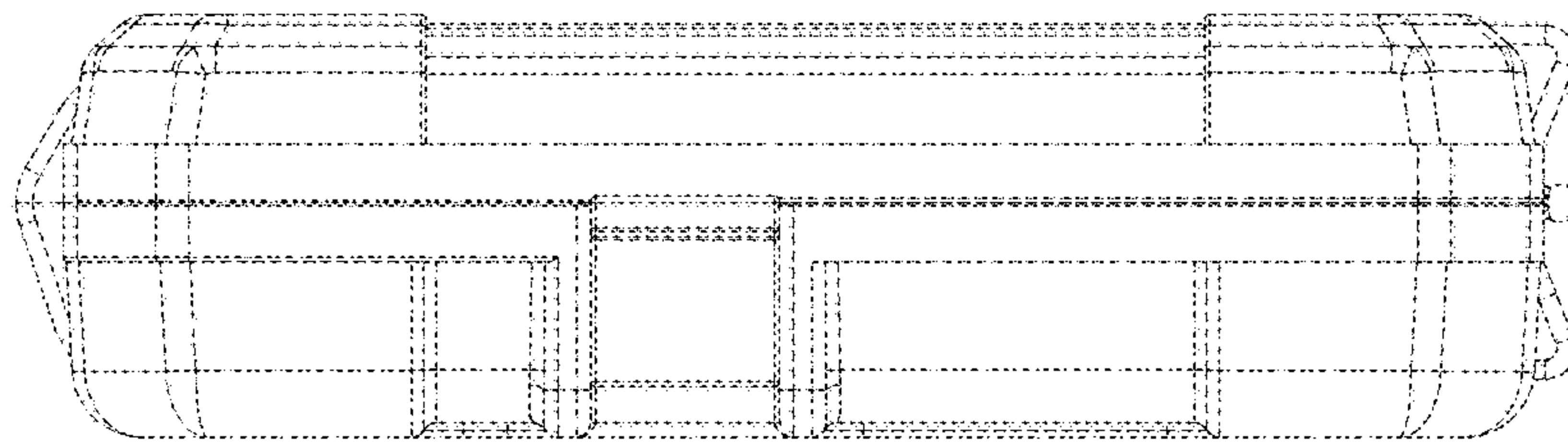


FIG. 4

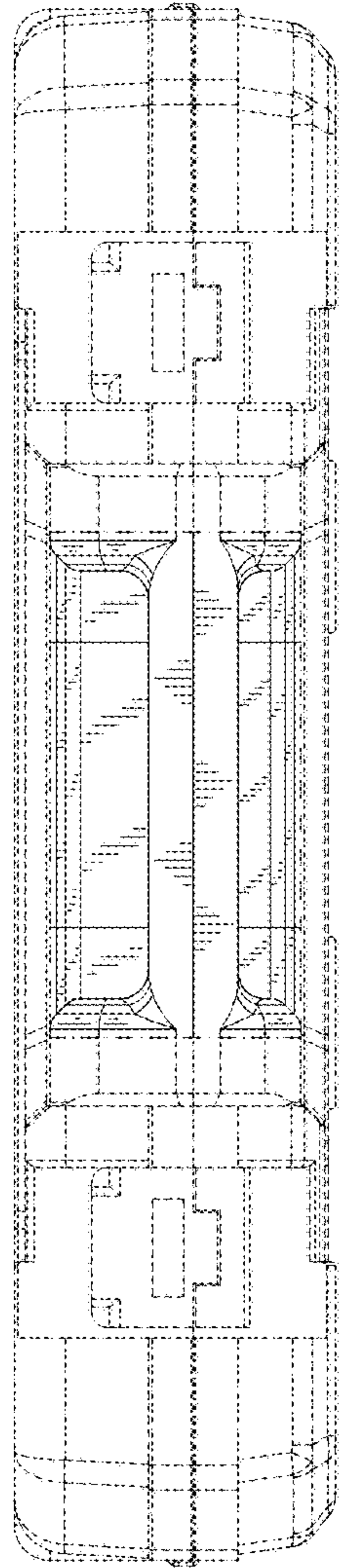


FIG. 6

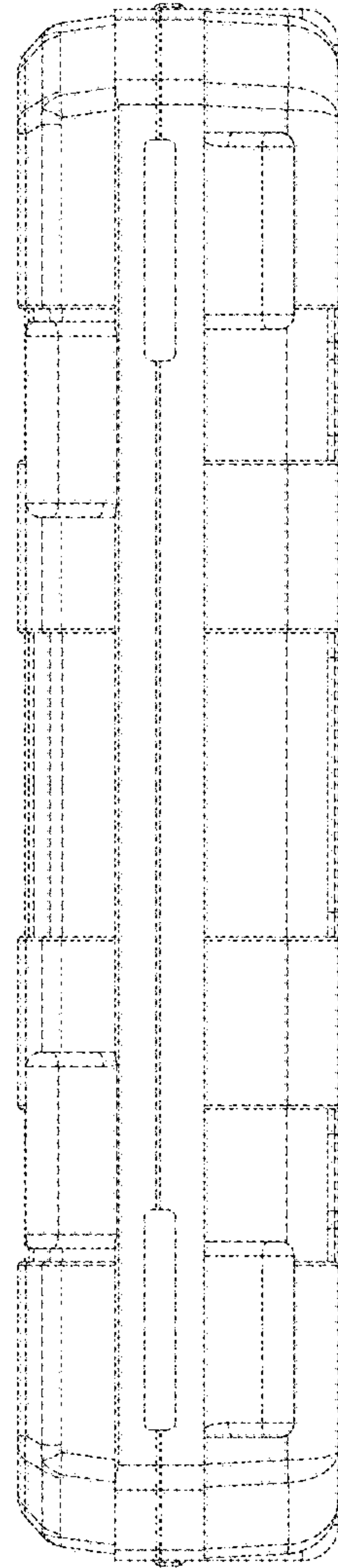


FIG. 7

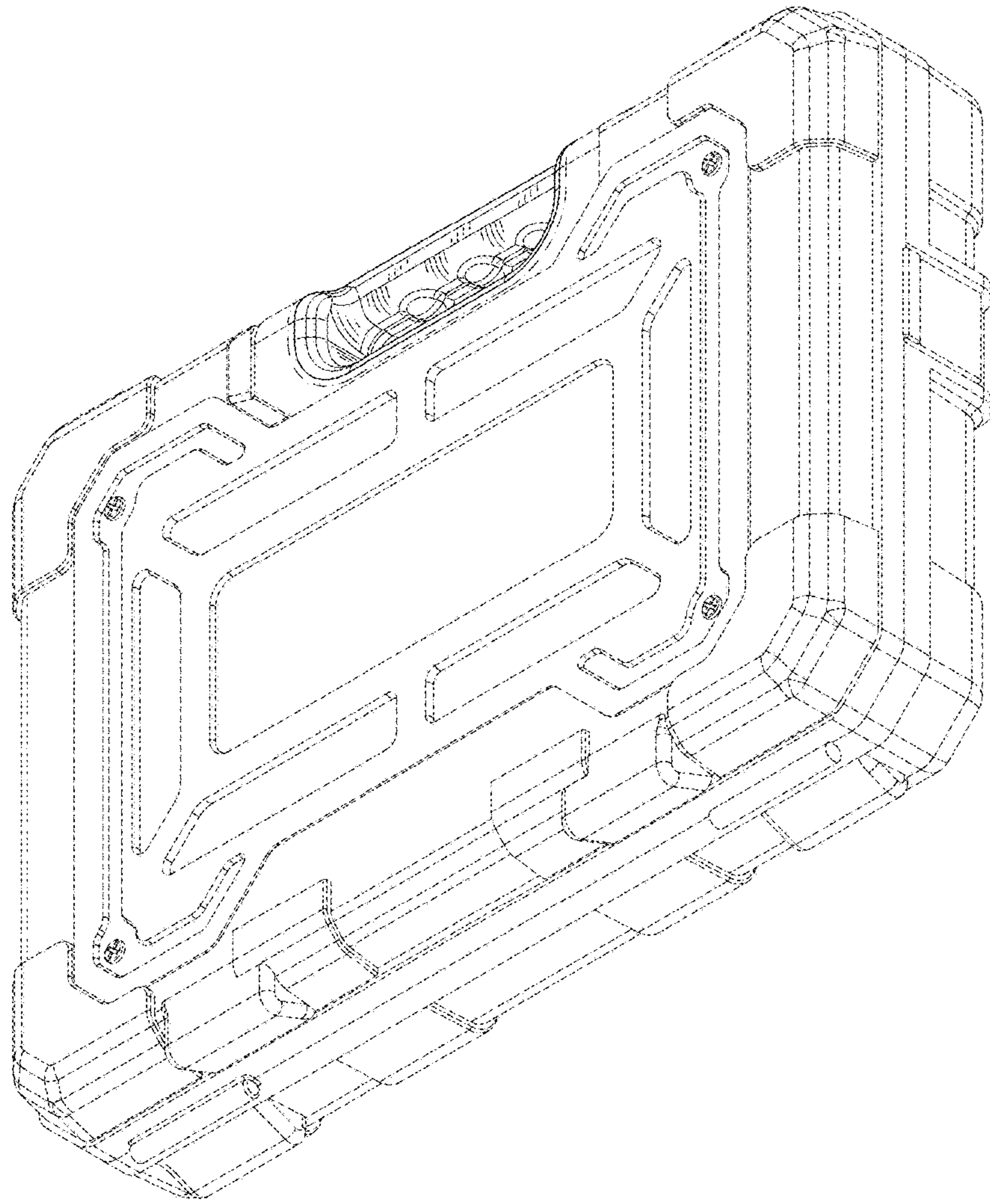


FIG. 8



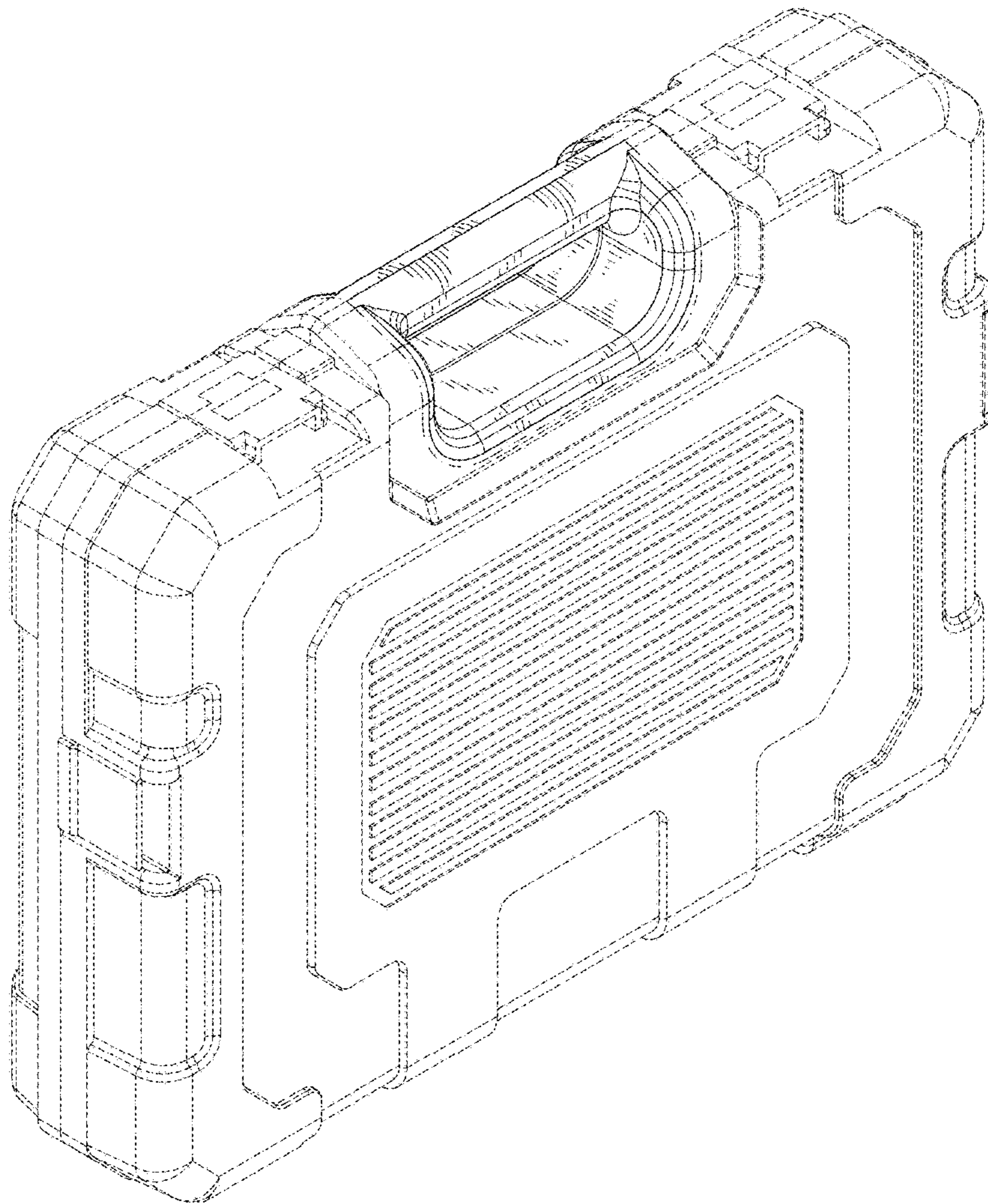


FIG. 9